



VI 492 613

Stainless steel frame
Width 36" (90 cm)

Installation accessories

In combination of several Vario cooktops, connecting strips must be used. Choose respective VA 420 strip from one of the below, depending on type of installation.

VA 420 000

Connection strip for combination with other Vario 400 series for flush mounting.

VA 420 010

Connection strip for combination with other Vario 400 series for surface mounting.

Optional accessories

GP 900 001

Stainless steel frying sensor pan
Non-stick coating, ø 6".

GP 900 002

Stainless steel frying sensor pan
Non-stick coating, ø 7".

GP 900 003

Stainless steel frying sensor pan
Non-stick coating, ø 8".

GP 900 004

Stainless steel frying sensor pan
Non-stick coating, ø 11".

WP 400 001

Wok pan made of multiple-layer material with round bottom and handle ø 14 3/16", 6.3 qt., height 4".

WZ 400 001

Wok support ring for wok pan
For use with VI 414 Vario induction wok and VI 492 Vario flex induction cooktop only.

Vario 400 series flex induction cooktop VI 492

- Flex function for combining the rectangular cooking areas
- Free positioning of cookware inside combined cooking areas
- Frying sensor function for temperature control in pans
- Large cooking zone for pots up to ø 13"
- Ideal for the original wok pan with round bottom, with wok ring
- Easy control of all functions with bi-colored display
- Solid stainless steel control knobs
- Precision-crafted 3 mm stainless steel
- For surface mounting with a visible edge or for flush mounting
- Can be combined with other Vario 400 series products

Cooking zones

2 flex induction cooking zones
7 1/2" x 9" (2,200 W, with booster 3,700 W), linked together 15" x 9" (3,300 W, with booster 3,700 W).

2 flex induction cooking zones
7 1/2" x 9" (2,200 W, with booster 3,700 W), linked together 15" x 9" (3,300 W, with booster 3,700 W).

1 induction cooking zone ø 9" (2,200 W, with booster 3,700 W), automatically switches to ø 10" (2,600 W, with booster 3,700 W), and to ø 13" (3,300 W, with booster 3,700 W).

Operation

Control knobs with illuminated ring, cooking zone and output level markings.

Electronic power control in 12 output levels.

User friendly control with bi-colored display (white/orange)

Features

Flex function for rectangular cooking zones.

Frying sensor function.

Booster function.

Stopwatch.

Short-term timer.

Options menu.

Power management.

Cooktop-based ventilation control (with suitable hood).

Home network integration for digital services (Home Connect) wireless via WiFi. The use of the Home Connect functionality depends on the Home Connect services, which are not available in every country.

For further information please check: home-connect.com.

Safety

Operation indicator.

Pot detection.

2-stage residual heat indication.

Safety shut-off.

Planning notes

Depending on the type of installation – surface- or flush-mounted – the specific location of the cut-out and the control knob positions may vary. The horizontal positioning of the knobs may be aligned with the specific

cooking areas and zones.

The drawing "Installation of the control knob" must be observed if the panel is more than 1" thick (there must be a recess at the rear).

In a combination of several Vario 400 series cooktops a connection strip VA 420 must be used.

Depending on the type of installation – surface- or flush-mounted – the respective VA 420 connecting strip must be used.

For flush installation the edge height in the cut-out needs to be at least 1/2" and for surface-mount 3/8". Ensure a continuous cut surface of 90°.

The weight capacity and stability, especially in case of thin countertops, must be supported using suitable substructures. Take the appliance weight and additional loads into account.

Flush installation is possible in countertops made of stone, synthetics or solid wood. Heat resistance and watertight sealing of the edges must be observed. For other materials, please consult with your countertop manufacturer.

The groove must be continuous and even, so that uniform placing of the appliance on the gasket is ensured.

Do not use discontinuous lining.

The joint width may vary due to size tolerances of the combinations and of the countertop cut-out.

If installing several Vario products in individual cut-outs allow for a minimum distance of 2" in between the cooktops. Operates with magnetic (induction) iron pots and pans only. For an optimal heat distribution, the use of flat bottom cookware is recommended.

Immersion depth depending on installation situation, 2 3/8" for surface-mount or 2 1/4" for flush-mount.

Panel thickness 3/8" – 1".

A combination with VL 414 downdraft is not recommended due to insufficient air extraction from the center zone.

Appliance can be snapped into the countertop from above.

Appliance weight: approx. 46 lbs.

Rating

Total rating:

208/220 V: 9.36 kW.

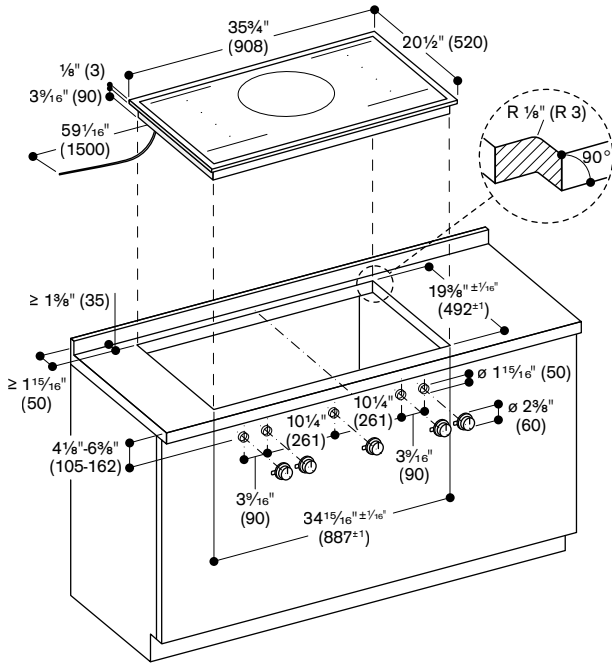
240 V: 10.8 kW.

Total Amps: 50 A.

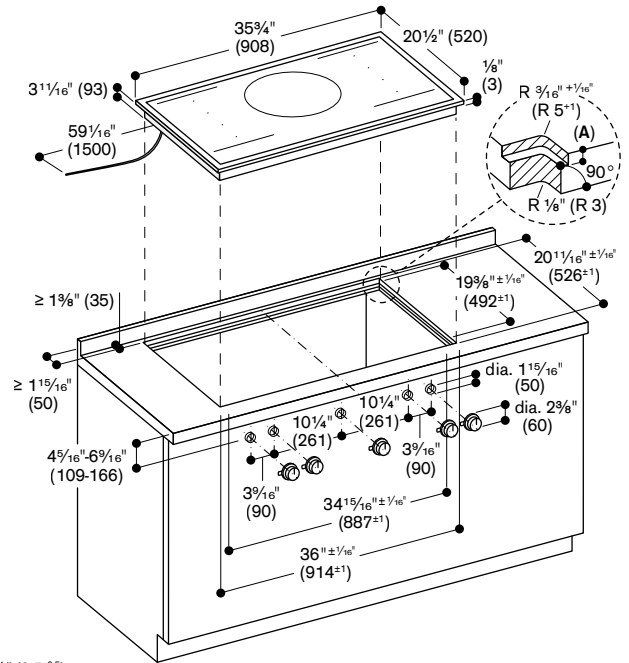
208/220–240 V / 60 Hz

Plan for a 59" connecting cable without plug (hardwire required).

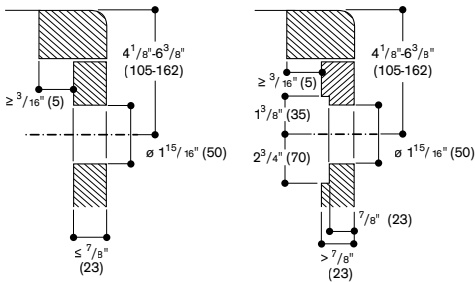
Surface-mount Installation



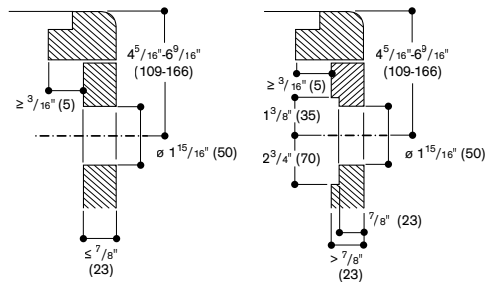
Flush-mount Installation



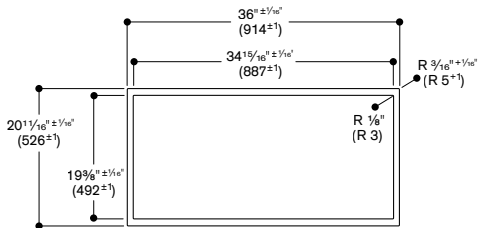
Installation of the control knob; surface-mount installation



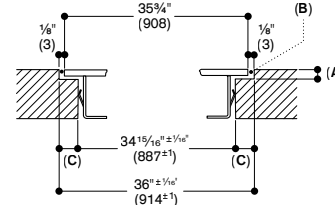
Installation of the control knob; flush-mount installation



View from above

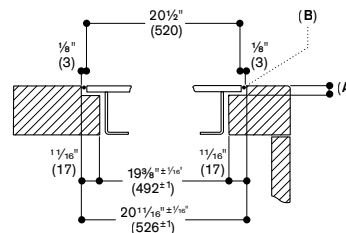


Longitudinal section



- A: 1/8" (3.5^{0.5})
- B: Fill with silicone
- C: 1/2" (13.5)

Cross-section



- A: 1/8" (3.5^{0.5})
- B: Fill with silicone