



**VL 200 120**

Black control panel  
Width 5 7/8" (15 cm)  
Air recirculation  
Motorless

**Installation accessories**

- AD 410 040**  
Flexible connecting piece for VL 200
- AD 851 041**  
Connecting piece VL 200 for extension for extra deep countertop
- VV 200 010**  
Stainless steel connection strip for combination with other Vario appliances of the 200 series
- VV 200 020**  
Black connection strip for combination with other Vario appliances of the 200 series
- AD 704 040**  
Pipe adapter, DN 200/150, metal
- AD 858 010**  
Flat duct flex pipe, DN 150, metal
- AD 854 010**  
Flat duct, DN 150, metal
- AD 854 030**  
Flat duct bend, 90° vertical, DN 150, metal
- AD 854 031**  
Flat duct bend, 90° horizontal, DN 150, metal
- AD 854 040**  
Flat duct connecting piece, male, DN 150, metal
- AD 854 000**  
Flat duct connecting piece, female, DN 50, metal
- AD 854 041**  
Flat duct adapter round, DN 150, metal
- AD 854 032**  
Flat duct adapter round, 90° vertical, DN 150, metal
- AD 990 091**  
Aluminum tape

**Optional accessories**

- LS 041 001**  
Air deflector for VL 200 next to gas appliance  
Stainless steel

**Vario 200 series downdraft ventilation  
VL 200**

- Can be combined with the cooktops of the Vario 200 series to a harmonic unity
- Highly efficient ventilation system at the cooktop integrated in the countertop
- Function for automatic, sensor-controlled power adjustment depending on the build-up of cooking vapors
- Minimal planning and easy installation
- Low-noise system with recirculation blower AR 410 710
- Air recirculation system

**Output**

Power levels depend on the remote blower.

**Features**

- Control knobs with illuminated ring.
- 3 electronically controlled power levels and 1 intensive mode.
- Automatic function with sensor-controlled run-on function.
- Large-scale metal grease filter with high grease absorption.
- Grease filter, dishwasher-safe.
- Grease filter and activated charcoal filter saturation indicator.
- Airflow-optimized interior for efficient air circulation.
- Interval ventilation, 6 min.
- Enameled ventilation grill, dishwasher-safe.
- Air exhaust bend included in delivery.
- Overflow 8.5 oz. (250 ml) capacity.

**Consumption data**

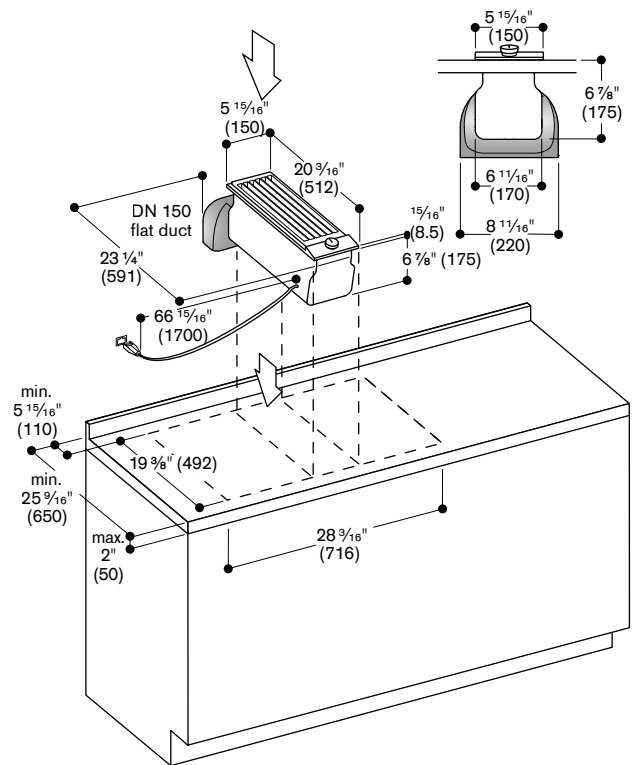
Consumption data is referred to a configuration with the recirculation blower AR 410 710.  
Sound level min. 56 dB / max. 76 dB.

**Planning notes**

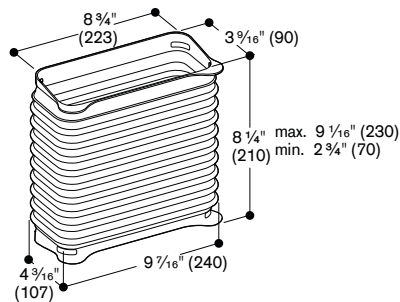
Air recirculation mode in combination with recirculation blower with AR 410 710 or AR 413 722.  
For each VL one blower unit is recommended.  
Maximum cooktop width between 2 VL downdraft units: 24" (60 cm).  
If installed next to gas appliances, the air deflector LS 041 001 is recommended to ensure maximum performance of the cooktop.  
When having installed the air deflector LS 041 001 the wok pan WP 400 001 can not be used.

**Rating**

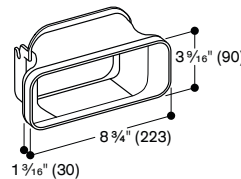
120 V / 60 Hz  
Connecting cable 66" (1.7m) between VL and recirculation/inline blower.



**AD 410 040: Flexible connection piece for VL 200, DN 150 flat**



**AD 851 041: Connecting piece VL 200 for extension with flat duct DN 150 for extra deep countertop**



Numbers indicated inside parenthesis ( ) = mm