



WSP 221 710

Glass front in Gaggenau Metallic
Width 24" (60 cm), Height 5 1/2" (14 cm)

200 series convection warming drawer WSP 221

- Flush installation
- Handleless drawer
- Push-to-open system
- Hygienic stainless steel interior with glass bottom
- 4 temperature levels ranging 100°F – 175°F
- Keeps food and drinks warm, also for preparing and cooking meals
- Net volume 0.7 cu.ft.

Cooking modes

Defrosting of meals/proofing of yeast dough.
Preheating of small beverages.
Keeping meals warm/slow cooking.
Warming of dishes.

Operation

Rotary knob operation.

Features

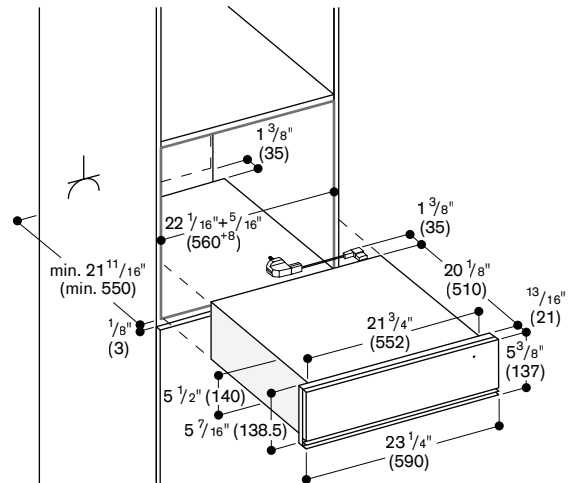
Usable interior dimensions:
H 3 5/8" x W 18 7/16" x D 18".
Volume capacity: Dinner service for 6 people including ø 9 1/2" plates and soup bowls, additional bowls and a serving dish, depending on size.
Heating under glass bottom for easy cleaning.
Glass bottom made of safety glass.
Convection fan for fast, even heat distribution when warming dishes.
Status display, visible in the glass front.
Max. load 55 lbs.

Planning notes

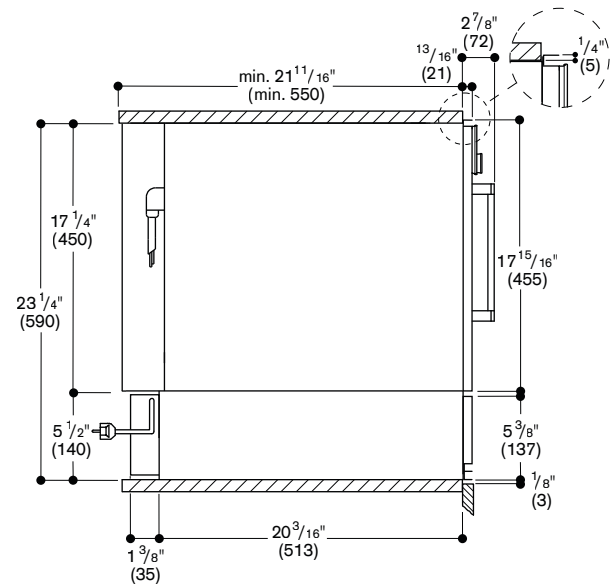
Necessary lateral gap between appliance front and cabinet panel of min. 3/16".
The door panel front of the appliance extends 13/16" from the cabinet front.
Install BSP/BMP/CMP directly above WSP in 23 1/4" niche without an intermediate shelf in between.
The power outlet can be planned behind the appliance.

Rating

Total rating: 0.81 kW.
Total Amps: 10 A.
120 V / 60 Hz
Connecting cable 71" with plug.



Side view WSP 221 below BSP Combi-steam oven, BMP speed microwave oven, CMP espresso machine



Numbers indicated
inside parenthesis () = mm