

# Integrated French Door Refrigerator Freezer, 32", Ice

Series 7 | Integrated

Panel Ready | French hinge

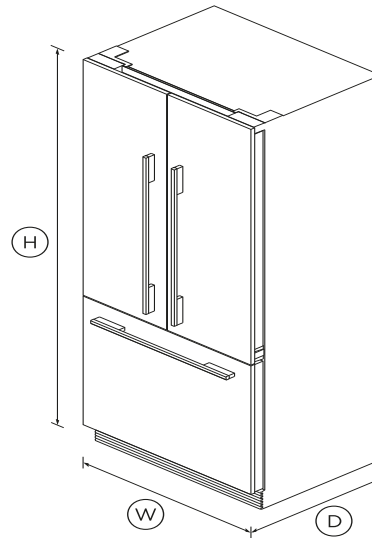


Designed to seamlessly integrate into your kitchen. With minimal gaps and no visible hinges, this model has a flush fit to suit any kitchen layout.

- ActiveSmart™ technology helps keep food fresher for longer by constantly maintaining the ideal temperature.
- Customize with your own kitchen cabinetry or purchase our stainless steel door panel accessory.
- With SmartTouch control panel for ease of use
- Spacious bottom freezer with full extension drawer and ice maker with boost function

## DIMENSIONS

Height	71 7/8"
Width	31 1/8"
Depth	23 11/16"



## FEATURES & BENEFITS

### PERFECT FIT

These models fit flush and have minimal gaps, with no visible hinges. Our Integrated refrigeration can be seamlessly hidden behind your cabinetry or you can purchase our stainless steel door panel.

### ACTIVESMART™ FOODCARE

ActiveSmart™ Foodcare learns how you live. By understanding how you use your refrigerator and adjusting temperature, airflow

and humidity inside, it helps keep food fresher for longer.

### FLEXIBLE STORAGE

Designed to make it simple for you to store, sort and access food. Storage bins give you full access inside when they're pulled open and can be easily removed to clean. Our cantilevered shelving also gives you more storage options.

### ICE MAKER

Fresh ice is always available for you in a dedicated freezer bin. Simply turn it off to free up freezer space, or during busy times you can boost ice production by up to 30%.

### BEAUTIFUL LIGHTING

LED lighting illuminates the interior with a crisp, clean glow for enhanced visibility. Our energy saving LEDs use less power than comparable halogen lights.

### EASY CLEANING

Secure, spill-safe glass shelves easily capture any drips or leaks, and can be easily removed for fast and easy cleaning.

### CLEVER ENERGY

This refrigerator adapts to daily use by cooling and defrosting only when needed, providing greater energy efficiency without compromising on food care.

## SPECIFICATIONS

### Accessories (sold separately)

Door panel set stainless steel	RD3272AUB
Handle kit Contemporary	AHSRS3272A
Handle kit Contemporary	AHD5RD32A
Handle kit Contemporary	AHD5RD32AB
Handle kit Contemporary	AHD3RS3272A
Handle kit Professional round	AHCRS3272A
Handle kit Professional round	AHP3RD32A
Handle kit Professional square	AHV2RS3272A

Water filter replacement **847200 - FWC3**

**Capacity**

Total gross capacity **14.7cu ft**  
 Volume **14.7cu ft**  
 Volume freezer **4.4cu ft**  
 Volume refrigerator **10.3cu ft**

**Consumption**

Energy rating **Energy star**  
 Energy usage **540kWh/year**

**Features**

Adjustable door shelves **6**  
 Adjustable glass cantilevered **•**  
 Covered door shelves **2**  
 Deli storage bins **1**  
 Door alarm **•**  
 Fruit and vegetable bins **2**  
 LED lighting **•**  
 SmartTouch control panel **•**  
 Soft close doors **•**  
 Stackable bottle holders **4**  
 Wi-Fi connectivity **•**

**Freezer Features**

Automatic ice maker **•**  
 Bottle chill **•**  
 Door alarm **•**  
 Fast freeze **•**

Ice Boost **•**  
 LED lighting **•**  
 Slide Out Pastry Tray **•**

**Performance**

ActiveSmart™ Foodcare **•**  
 Adaptive defrost **•**  
 Frost free freezer **•**  
 Humidity control system **•**  
 Inverter controlled compressor **•**  
 Sabbath mode **•**

**Power requirements**

Rated current **10A**  
 Supply frequency **60Hz**  
 Supply voltage **115V**

**Product dimensions**

Depth **23 11/16"**  
 Height **71 7/8"**  
 Width **31 1/8"**

**Warranty**

Parts and labor **2 years**  
 Sealed system parts only **5 years**

SKU **26311**

The product dimensions and specifications in this page apply to the specific product and model. Under our policy of continuous improvement, these dimensions and specifications may change at any time. You should therefore check with Fisher & Paykel's Customer Care Centre to ensure this page correctly describes the model currently available. ? Fisher & Paykel Appliances Ltd 2020

---

Other product downloads available at [fisherpaykel.com](https://fisherpaykel.com)



User Guide



Energy Label



Service & Warranty



Installation Guide



Water Filter Replacement Instructions & Installation Guide



**A PEACE OF MIND SALE**

24 Hours 7 Days a Week Customer Support

T 1.888.936.7872 W [www.fisherpaykel.com](https://www.fisherpaykel.com)