

Integrated Column Refrigerator, 30", Water

Series 11 | Integrated

Panel Ready | Left hinge

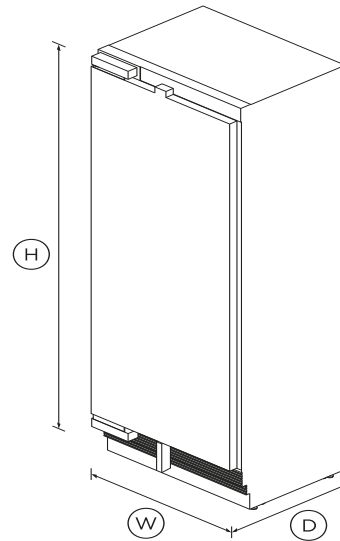


Install it separately or pair with another Column for seamless integration – this model is left hinge with stainless steel interior.

- ActiveSmart™ technology helps keep food fresher for longer by constantly maintaining the ideal temperature
- Two separate Variable Temperature Zones. Choose from Fridge, Pantry or Chill
- Internal water dispenser for convenient access to fresh, chilled water
- Customize with your own kitchen cabinetry or purchase our stainless steel door panel accessory

DIMENSIONS

Height	84"
Width	29 3/4"
Depth	24"



FEATURES & BENEFITS

VARIABLE TEMPERATURE ZONES

Create the perfect climate by storing food at their optimal temperature. Change a compartment to Fridge, Pantry or Chill.

INTERNAL WATER DISPENSER

This integrated model features a slimline water dispenser, located on the inside for an uninterrupted exterior. The flush-fit design of the water dispenser maximizes internal storage space, allowing the shelves to be adjusted to suit your needs. Enjoy a

continuous flow of temperature-controlled chilled water to fill almost any size or shape of vessel.

APPEALING ILLUMINATION

Bright LEDs light up the ceiling, shelves, bins and trays in both refrigerator and freezer, creating a welcoming glow in your kitchen at night and using less power than comparable halogen lights.

MIX & MATCH

Integrated Column Refrigeration gives you the freedom to mix and match refrigerators and freezers based on your needs – or install separately. They can be customized with your kitchen cabinetry for a seamless look, or finished with one of our stainless steel door panels.

CLEVER ENERGY

ActiveSmart™ makes your refrigerator more energy efficient – adapting to daily use and cooling and defrosting only when needed. This means it uses the energy it needs without compromising on food care.

DESIGN QUALITY

The premium design and quality finish includes a white or stainless steel interior lining, as well as full-extension metal shelf runners for easy access and robust glass shelving.

PERFECT FIT

Create an understated and clean look in any kitchen. You can hide our Integrated Column models seamlessly behind your cabinetry, fitting flush with only a 1/8" gap and no visible hinges or grilles.

SPECIFICATIONS

Accessories (sold separately)

Door panel stainless steel	30" Left hinge RD3084L4D
Handle kit Contemporary	AHS-RD84
Handle kit Contemporary	AHD5RDSF

Handle kit Contemporary	AHD5RDSFB
Handle kit Contemporary	AHD3-RD84
Handle kit Professional round	AHC-RD84
Handle kit Professional round	AHP3RDSF
Handle kit Professional square	AHV2-RD84
Joiner kit	AJ-RS84LR
Toe kick stainless steel 30"	AKRS3004
Toe kick stainless steel 48"	AKRS4804
Toe kick stainless steel 54"	AKRS5404
Toe kick stainless steel 60"	AKRS6004
Toe kick stainless steel 66"	AKRS6604
Toe kick stainless steel 72"	AKRS7204
Toe kick stainless steel 78"	AKRS7804
Toe kick stainless steel 84"	AKRS8404
Water filter replacement	847200 - FWC3

Capacity

Total gross capacity	16.3cu ft
Volume	16.3cu ft
Volume refrigerator	16.3cu ft

Consumption

Energy rating	Energy star
---------------	--------------------

Features

Adjustable door shelves	4
Adjustable glass cantilevered	•
Adjustable glass shelves	2
Covered door shelves	1
Door alarm	•

Gallon door shelves	1
Internal water dispenser	•
LED bin lighting	•
LED ceiling lighting	•
LED lighting	•
LED side lighting	•
SmartTouch interface at	•
Soft-close fruit and vegetable	•
Stackable bottle holders	4

Performance

ActiveSmart™ Foodcare	•
Dual evaporator	•
Humidity control system	•
Inverter controlled compressor	•
Sabbath mode	•
Variable food modes lower	Pantry; Fridge; Chill
Variable food modes upper	Pantry, Fridge
Variable temperature zones	2

Power requirements

Rated current	10A
Supply frequency	60Hz
Supply voltage	115V

Product dimensions

Depth	24"
Height	84"
Width	29 3/4"

Product information

Packaged weight	309lbs
Unpackaged weight	294lbs

Warranty

Parts and labor	2 years
Sealed system parts and labor	additional 3 years

SKU	26168
-----	--------------

The product dimensions and specifications in this page apply to the specific product and model. Under our policy of continuous improvement, these dimensions and specifications may change at any time. You should therefore check with Fisher & Paykel's Customer Care Centre to ensure this page correctly describes the model currently available. ? Fisher & Paykel Appliances Ltd 2020

Other product downloads available at fisherpaykel.com

- [↓](#) Energy Label
- [↓](#) User Guide Integrated Refrigerator & Freezer
- [↓](#) Service & Warranty
- [↓](#) Installation Guide - Toe Kick
- [↓](#) Water Filter Replacement Instructions & Installation Guide
- [↓](#) Installation Guide
- [↓](#) Specification Guide Integrated Column Refrigerator
- [↓](#) Data Sheet Integrated Column Refrigerator
- [↓](#) Data Sheet Integrated Column Refrigerator Dual Install (18" + 30")
- [↓](#) Data Sheet Integrated Column Refrigerator Dual Install (24" + 30")
- [↓](#) Data Sheet Integrated Column Refrigerator Dual Install (30" + 30")
- [↓](#) Planning Guide Integrated Columns
- [↓](#) Key Purchase Decisions Integrated Columns



A PEACE OF MIND SALE

24 Hours 7 Days a Week Customer Support

T 1.888.936.7872 W www.fisherpaykel.com