

# Freestanding French Door Refrigerator Freezer, 36", 20.1 cu ft, Ice

Series 7 | Contemporary

Stainless Steel | French hinge

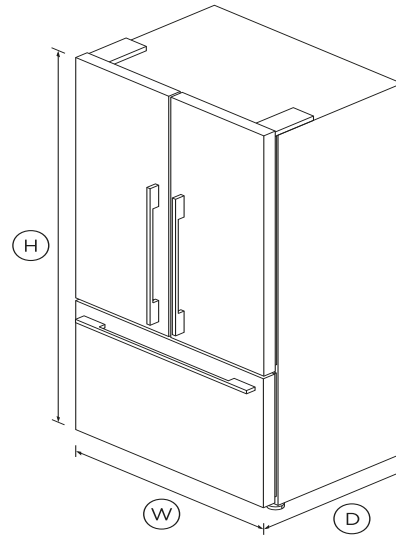


Designed for those who need plenty of flexible space. Counter-depth design, with a stylish stainless steel finish for a seamless look.

- ActiveSmart™ Foodcare technology helps keep food fresher for longer
- Counter-depth design with flat door, for streamlined look
- Brushed metal handles

## DIMENSIONS

Height	70 15/32"
Width	35 7/16"
Depth	27 3/8"



## FEATURES & BENEFITS

### ACTIVESMART™ FOODCARE

This refrigerator freezer adapts to daily use by cooling and defrosting only when needed. ActiveSmart™ Foodcare technology uses energy efficiently without compromising on food care.

### FLEXIBLE STORAGE

Adjustable shelves and door storage give you plenty of room to stack and pack all your groceries. Storage bins give you full access inside when they're pulled open and can be easily

removed to clean.

### HUMIDITY CONTROL

Your fruit and veges need different environments to stay fresh. Humidity control in each storage bin allows you to maintain a microclimate that helps keep food fresher for longer.

### DESIGN QUALITY

Our fridges are designed and built using quality materials. We use real stainless steel on our fridges and solid glass for shelving.

### INTERNAL ICE MAKER

Fresh ice is always available for you in a dedicated freezer bin. Simply turn it off to free up freezer space or during busy times, you can boost ice production by up to 30%.

### EASY CLEANING

Spill-safe secure glass shelves easily capture any drips or leaks and prevent them from falling on items below.

### EASY TO USE

The SmartTouch control panel has been designed to be intuitive for ease to use, and is conveniently placed near the front of the fridge.

## SPECIFICATIONS

### Accessories (sold separately)

Water filter replacement	847200 - FWC3
--------------------------	---------------

### Capacity

Total gross capacity	20.1cu ft
Volume freezer	5.5cu ft
Volume refrigerator	14.6cu ft

### Consumption

Energy usage	532kWh/year
--------------	-------------

**Features**

Adjustable door shelves	6
Adjustable glass shelves	3
Covered door shelves	2
Deli storage bins	2
Door alarm	•
Fruit and vegetable bins	2
LED lighting	•
SmartTouch control panel	•
Soft close doors	•
Stackable bottle holders	4
Wi-Fi connectivity	•

**Freezer Features**

Automatic ice maker	•
Bottle chill	•
Door alarm	•
Fast freeze	•
Ice Boost	•
Ice bin and scoop	•
LED lighting	•
Large plastic bins	•

**Performance**

ActiveSmart™ Foodcare	•
Adaptive defrost	•
Frost free freezer	•
Humidity control system	•
Inverter controlled compressor	•

Sabbath mode	•
--------------	---

**Product dimensions**

Depth	27 3/8"
Height	70 15/32"
Width	35 7/16"

**Warranty**

Parts and labor	2 years
Sealed system parts and labor	additional 3 years

SKU	26306
-----	-------

The product dimensions and specifications in this page apply to the specific product and model. Under our policy of continuous improvement, these dimensions and specifications may change at any time. You should therefore check with Fisher & Paykel's Customer Care Centre to ensure this page correctly describes the model currently available. ? Fisher & Paykel Appliances Ltd 2020

**Other product downloads available at fisherpaykel.com**

- [↓](#) User Guide
- [↓](#) Service & Warranty
- [↓](#) Energy Label Freestanding French Door Refrigerator Freezer
- [↓](#) Installation Guide
- [↓](#) Water Filter Replacement Instructions & Installation Guide



**A PEACE OF MIND SALE**

**24 Hours 7 Days a Week Customer Support**

**T 1.888.936.7872 Wwww.fisherpaykel.com**