

Combination Microwave Oven, 24"

Series 5 | Contemporary

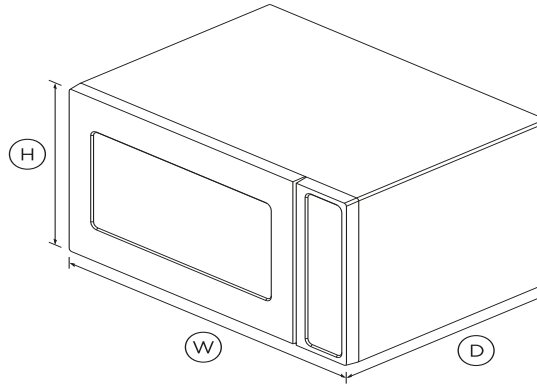
Stainless Steel



A flexible appliance that pairs the speed of microwave cooking with oven technology, which can crisp and brown as it cooks.

- 1.5 cu ft total capacity
- 12 cooking modes including Defrost, Popcorn and Reheat
- Use the 30" Microwave trim kit to integrate this microwave with your cabinetry
- Part of our suite of companion products, designed to match aesthetically for flexible configurations

DIMENSIONS



Paykel's Customer Care Centre to ensure this page correctly describes the model currently available. ? Fisher & Paykel Appliances Ltd 2020

SPECIFICATIONS

Accessories (sold separately)

- Matching Trim Kit •

Functions

- Defrost •
- Popcorn •

SKU 70997

The product dimensions and specifications in this page apply to the specific product and model. Under our policy of continuous improvement, these dimensions and specifications may change at any time. You should therefore check with Fisher &

Other product downloads available at fisherpaykel.com



User Guide (EN)



Service & Warranty



Installation Guide (EN)



Data Sheet Combination Microwave Oven



A PEACE OF MIND SALE

24 Hours 7 Days a Week Customer Support

T 1.888.936.7872 **W**www.fisherpaykel.com