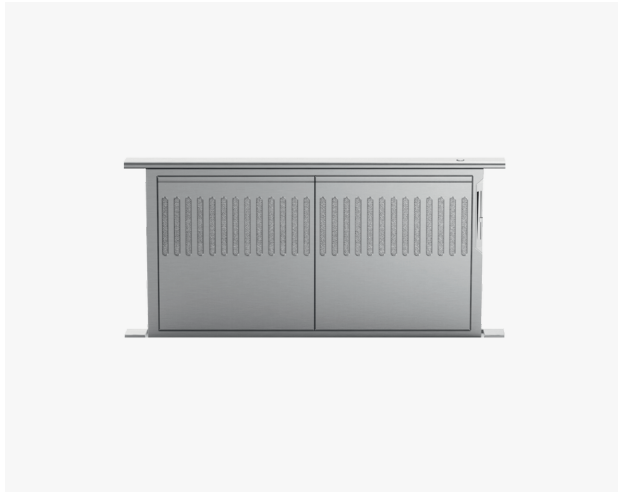


# Downdraft Range Hood, 30", Telescopic

Series 7 | Professional

Stainless Steel



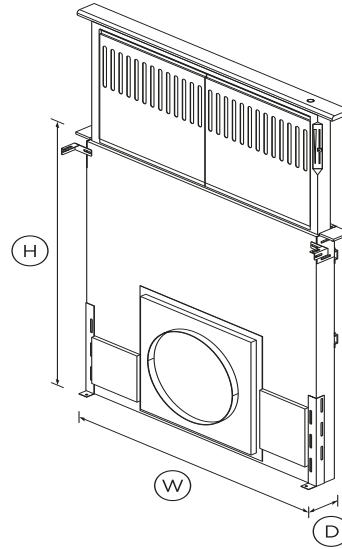
Perfectly hidden away behind your cooktop, this 30" downdraft range hood can be raised while cooking, for efficient extraction.

- Seamlessly integrates into your kitchen, sliding up from your cooktop when you need it
- Raises to 14" height for better steam, grease and odor-capture efficiency
- Pair with our internal 600CFM blower for quiet and effective extraction

## DIMENSIONS

Depth

2 1/8"



## FEATURES & BENEFITS

### QUIET AND EFFECTIVE

The downdraft system quickly and quietly extracts unwanted grease, smoke and odors through stainless steel mesh filters.

### SIMPLE CONTROLS

A single on/off button makes the downdraft system easy to use. A slider control lets you precisely adjust the fan speed up or down.

### EASY CLEANING

Filters effectively trap grease particles during extraction. They are easy to remove and dishwasher safe, or can be cleaned by hand in hot soapy water.

## COMPLEMENTARY DESIGN

When not in use, the downdraft system slides away into your countertop eliminating the need for a bulky overhead ventilation hood. The stainless steel finish is designed to match the rest of the Fisher & Paykel kitchen appliance family.

## SPECIFICATIONS

### Installation and cleaning

Air outlet size	6"
Ducted	Front or side extraction

### Performance

Extraction type	Surface
-----------------	---------

### Power requirements

Rated current	15A
Supply frequency	60Hz
Supply voltage	120V

### Product dimensions

Depth	2 1/8"
-------	--------

### Product information

Control type	Slider
--------------	--------

### Warranty

Parts and labor	Limited 2 years
-----------------	-----------------

SKU	50044
-----	-------

The product dimensions and specifications in this page apply to the specific product and model. Under our policy of continuous improvement, these dimensions and specifications may change at any time. You should therefore check with Fisher & Paykel's Customer Care Centre to ensure this page correctly describes the model currently available. ? Fisher & Paykel Appliances Ltd 2020

**Other product downloads available at fisherpaykel.com**



Service & Warranty



Installation & User Guide / Guide d'installation et guide d'utilisation



Data Sheet Downdraft Range Hood



**A PEACE OF MIND SALE**

24 Hours 7 Days a Week Customer Support

T 1.888.936.7872 **W**www.fisherpaykel.com