

# MONOGRAM 24" FULLY INTEGRATED DISHWASHER

ZDT985SINII



## CUSTOM PANEL MODEL

Create your own kitchen masterpiece. Add a cabinet-compatible panel and custom handle for a luxurious look and feel that reflects your style

## ADVANCED WASH SYSTEM

Designed to achieve the ultimate clean, this advanced wash system with over 90 powerful jets delivers complete washing coverage to every corner of the dishwasher

## FULL-EXTENSION, ADJUSTABLE THIRD RACK WITH PREMIUM SLIDES

Convenient and adjustable, this expansive third rack easily accommodates an entire flatware collection, plus carving knives, soup ladles and other cooking/serving tools for the ultimate clean

## STEAM + SANITIZATION

Eliminate the need to pre-wash dishes at the end of every meal, thanks to a Steam + Sani feature that easily loosens lingering traces of food with an added bonus of complete sanitization, removing 99.999% of bacteria

## 39 DBA\* QUIET OPERATION

Is made possible by advancing sound-absorbing materials and a smooth-running motor

## HARD FOOD DISPOSER

Designed to maintain a kitchen's cleanliness and efficiency, the hard food disposer with stainless steel blades grinds food into tiny particles that wash away with ease

## MAX DRY SYSTEM

This precise and efficient drying system delivers beautifully dry dishes every time and is perfect for hard-to-dry items like your favorite champagne flutes

## BOTTLE JETS

Hard-to-reach areas inside tall items get completely clean with four dedicated jets integrated into the upper rack that shower water deep inside for the ultimate clean

## LED LIGHTING

Illuminates the entire interior, leaving no question as to whether or not dishes have been cleaned

## DEEP CLEAN SILVERWARE JETS

Powerful jets blast away stuck-on food for silverware that's always spotless

## CABINET DEPTH INSTALLATION

Customize this appearance with a panel to match the décor of your kitchen - true flush capable, even with inset cabinets

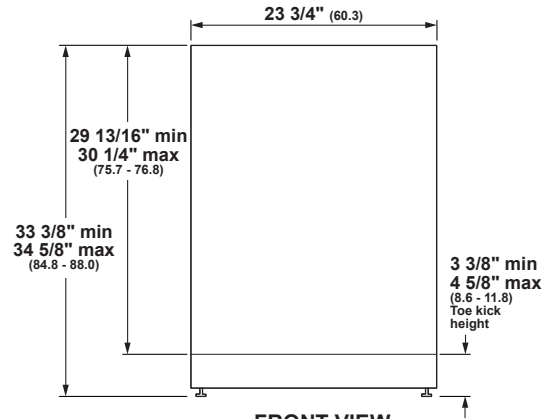
\*Based on results from the base model ZDT985SSNSS.



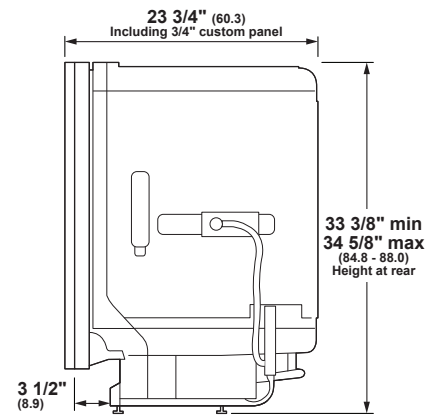
**SPECIFICATIONS**

|                             |  |
|-----------------------------|--|
| Overall Width               | 23 3/4" (60.3 cm)                                |
| Overall Height              | 33 3/8" (84.8 cm) Min<br>34 5/8" (88.0 cm) Max   |
| Overall Depth               | 23 3/4" (60.3 cm)<br>including 3/4" custom panel |
| Door Clearance              | 25 1/2" (64.8 cm)                                |
| Overall Dishwasher Capacity | 16 Place Settings                                |
| Minimum Cabinet Width       | 24" (61 cm)                                      |
| Minimum Cabinet Depth       | 24" (61 cm)                                      |
| Cutout Width                | 24" (61 cm)                                      |
| Cutout Height               | 33 1/2" (85.1 cm) Min<br>34 3/4" (88.3 cm) Max   |
| Electrical Requirements     | 10.2 A   |
| Hose Length                 | No more than 12' (3.7 m)                         |
| Voltz/Hertz/Amps            | 115 V, 60 Hz, 15 or 20 amp circuit               |
| Shipping Weight             | 119 lb (54 kg)                                   |

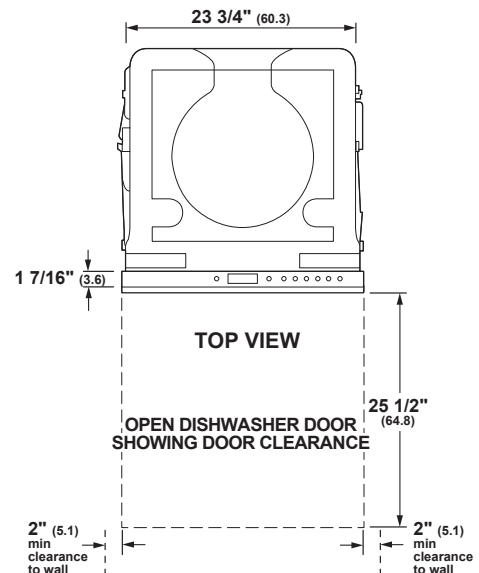
**OVERALL DIMENSIONS**



**FRONT VIEW**



**SIDE VIEW**

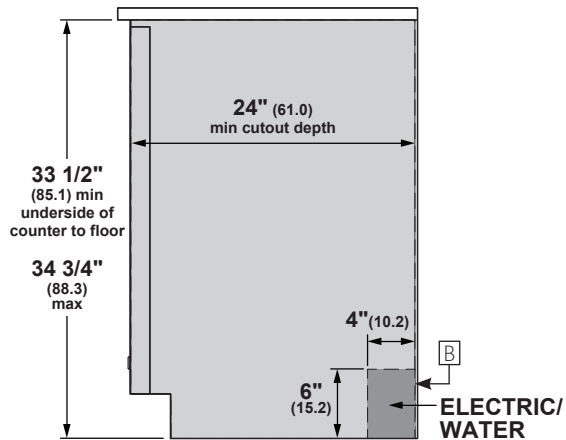


**TOP VIEW**

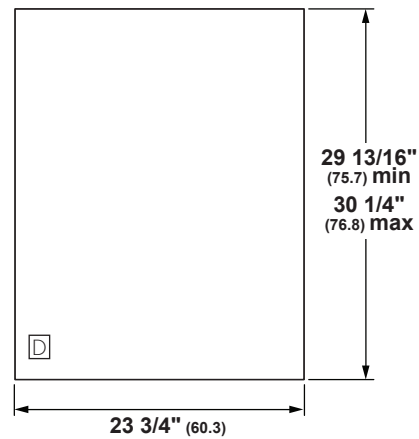
**OPEN DISHWASHER DOOR  
SHOWING DOOR CLEARANCE**

Dimensions in parentheses are in centimeters unless otherwise noted. Actual product dimensions may vary due to manufacturing tolerances.

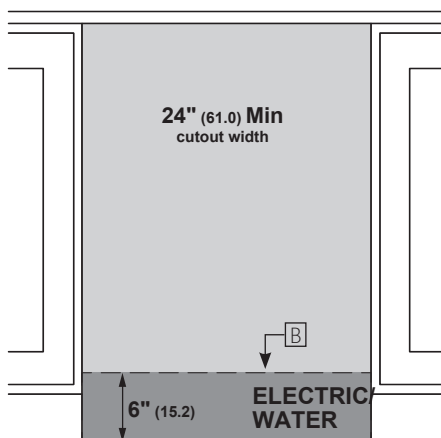
### FLUSH CUTOUT INSTALLATION



### CUSTOM PANEL



### INSTALLATION CUTOUT FRONT VIEW

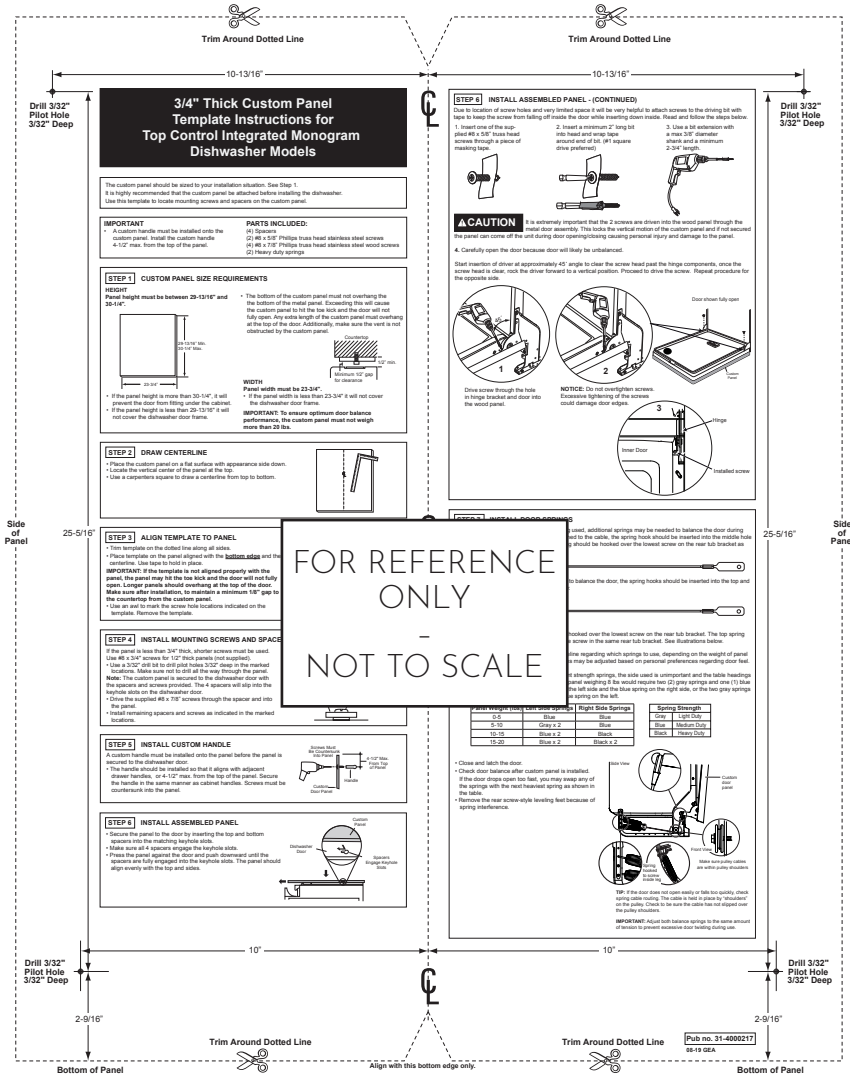


### NOTES

- A** The dishwasher drain hose must be no more than 12 feet in length for proper drainage.
- B** Electrical connections are at the right front of the dishwasher and water connections are on the left. The hot water line should extend forward 30" to 40" from the rear wall. The electrical must extend forward at least 24" to reach the junction box.
- C** To prevent siphoning, an air gap or high drain loop must be used.
- D** A custom panel installation template (Part No. WD35X25996) is available from GE Parts and Accessories (US 800.626.2002, Canada 800.561.3344).

For more details, refer to the installation instructions for this product on [Monogram.com](http://Monogram.com). Dimensions in parentheses are in centimeters unless otherwise noted.

## CUSTOM DISHWASHER DOOR PANEL TEMPLATE GE PART NO. WD35X25996



### SPECIAL NOTES

- The custom panel and custom handle of your choice should be secured to the dishwasher before installation begins. A template with instructions and installation hardware is provided.
- For planning purposes, you may order the template in advance by calling 1.800.GE.CARES (1.800.423.2737) or by visiting our website at [GEAppliances.com](http://GEAppliances.com) in the United States.
- In Canada, call 1.800.561.3344 or visit [www.GEAppliances.ca](http://www.GEAppliances.ca). Order Part No. WD35X25996. Complete panel installation instructions are included on the template.
- Maximum panel weight is 20 LBS (9.1 kg).

CALL 1-800-626-2000

For a full-size panel template with complete panel installation instructions.