

MONOGRAM 48" PROFESSIONAL GAS RANGETOP WITH 6 BURNERS AND GRIDDLE

ZGU486NDTSS (NATURAL GAS)



BURNER PERFORMANCE

Front Left Burner Element	23,000-BTU
Back Left Burner Element	18,000-BTU
Second From Left Front Burner Element	15,000-BTU
Second From Left Back Burner Element	15,000-BTU
Third From Left Front Burner Element	23,000-BTU
Third From Left Back Burner Element	18,000-BTU
Griddle	18,000-BTU

VERSATILE GAS BURNER CONFIGURATION

Delivering exceptional cooking flexibility, the two 23,000-BTU multi-ring brass burners and dual-stack burners offer a range of heat settings, from gentle simmer to intense flame

3-PIECE GRATES WITH REVERSIBLE WOK FEATURE

Designed to adapt to different cooking styles, these reversible grates are flat on one side and uniquely contoured on the other to perfectly fit round-bottom woks

RING-LIT KNOBS

Delivering a modern approach to accent lighting, the rings illuminate to indicate when a burner is in use

SOLID BRASS BLADES ON PRECISION MACHINED KNOBS

With an unmatched attention to detail, all knobs on the new Monogram Pro ranges and rangetops come with solid brass accents

SEAMLESS STAINLESS TOP FRAME

Meticulously crafted from one piece of stainless steel that covers the cooktop and control panel, this seamless and stylish surface is easy to clean and beautiful to look at

STAINLESS AND ALUMINUM-CLAD GRIDDLE INCLUDED

This versatile griddle delivers 18,000 BTUs of cooking power, allowing fast and consistent heating across the entire cooking surface

STAINLESS STEEL, NO-MARK GRIDDLE/GRILL COVERS INCLUDED

Stainless steel covers help to protect the rangetop and keep it looking pristine, and can also be used as a flat food-preparation surface when the rangetop is not in use

LP CONVERSION KIT INCLUDED

Designed to deliver a seamless conversion experience, this self-contained kit includes everything needed to convert a rangetop to liquid propane



SPECIFICATIONS

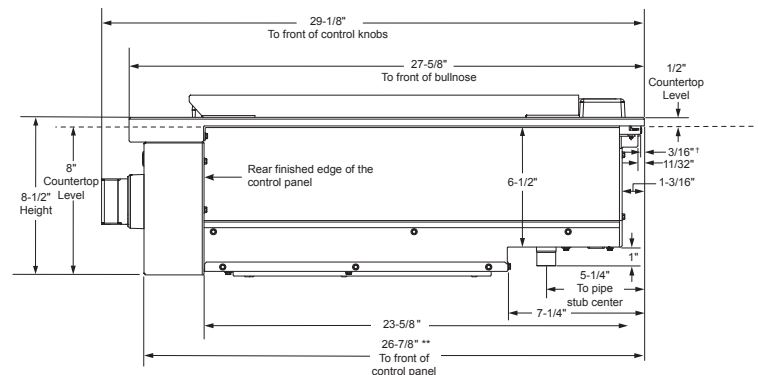
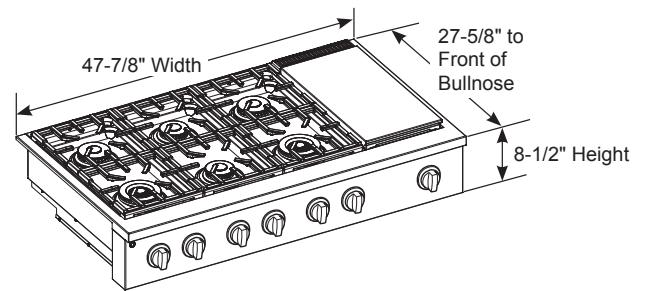
Overall Width	47 7/8" (121.6 cm)
Overall Depth	27 1/2" (69.8 cm)
Overall Height	8 1/2" (21.6 cm)
Volts/Hertz/Amps	120v; 60Hz; 15A
Net Weight	171 lbs (77.6 kg)
Approx. Shipping Weight	227 lbs (103 kg)

ATTENTION ELECTRICIAN:

Rangetops must be supplied with 120V, 60Hz, and connected to an individual, properly grounded branch circuit protected by a 15 amp circuit breaker or time-delay fuse.

For more details refer to the installation instructions for this product.

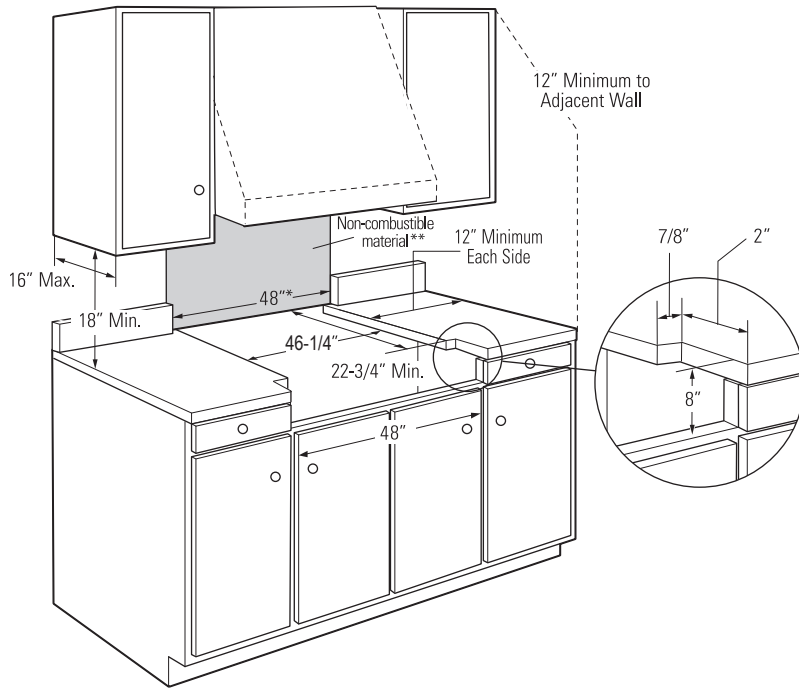
OVERALL DIMENSIONS



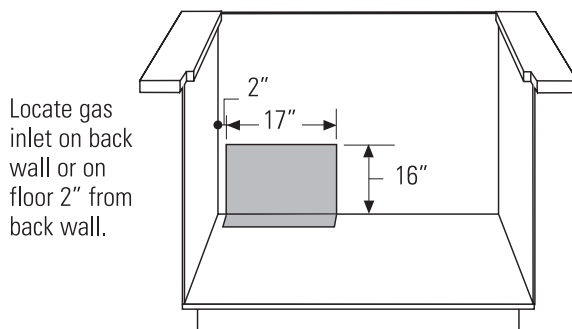
¹ Include the overhang of the rear trim when countertop continues behind the product. The overhang is decorative only. The weight of the rangetop is fully supported by the side trims.
^{**} Maximum countertop cutout depth from the back of the rear trim to the back edge of chamfer at the sides of the control panel - typically, the maximum countertop cutout depth (front to back). Minimum countertop cutout depth is 25-1/4\".

Dimensions in parentheses are in centimeters unless otherwise noted. Actual product dimensions may vary due to manufacturing tolerances.

DIMENSIONS AND INSTALLATION INFORMATION (IN INCHES)



UTILITY LOCATIONS



HELPFUL TIPS

PRODUCT DIMENSIONS AND CLEARANCE

A 36"- or 42"-wide professional vent hood is recommended for installation over this rangetop.

Clearances between rangetop and side wall must be at least 12" on each side.

Allow 8" free space below the top surface of countertop. Allow additional clearances below the burner box to install the regulator and make house gas supply connections. Use a 90° elbow to route the gas connections and limit interference with drawers or other cabinetry.

*The opening between a 4" high backsplash must be 48" to allow the rangetop to slide back against the wall.

**As defined in the National Fuel Gas Code (ANSI Z223.1/CSA B149.1, Current Edition). Clearances from non-combustible materials are not part of the ANSI Z21.1/CSA 1.1 scope and are not certified by CSA. Clearances less than 12" must be approved by local codes and/or the authority having jurisdiction.

GAS PRESSURE REGULATOR

You must use the gas pressure regulator supplied with this rangetop. For proper operations the inlet pressure to the regulator should be as follows:

Natural Gas:

Minimum pressure: 6" of Water Column

Maximum pressure: 13" of Water Column

Propane (LP) Gas:

Minimum pressure: 11" of Water Column

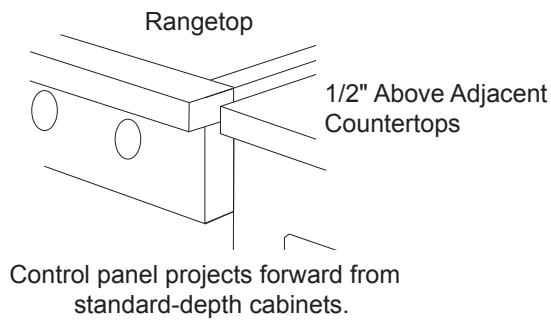
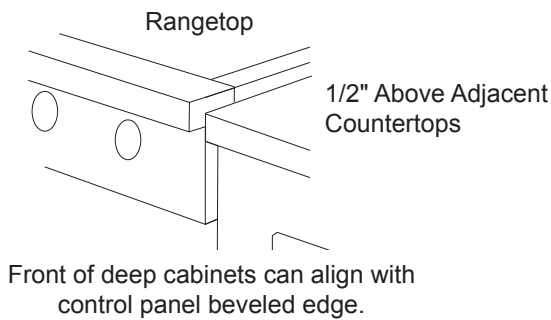
Maximum pressure: 13" of Water Column

See installation instructions for more details.

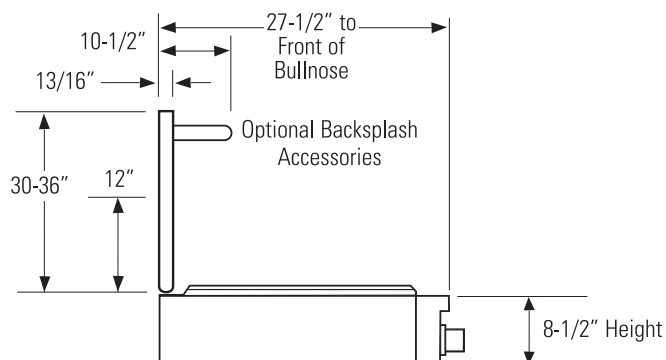
WARNING

A suitable overhead vent hood is required. A custom hood installation with exposed horizontal combustible surfaces must have an "auto-on" feature. Refer to hood installation instructions for specific hood clearances. The surface of the entire back wall above the countertop and below the hood must be covered with a non-combustible material such as metal, ceramic tile, brick, marble or other stone.

DIMENSIONS AND INSTALLATION INFORMATION (IN INCHES)



SIDE VIEW WITH A BACKSPLASH



HELPFUL TIPS

OPTIONAL BACKSPLASH ACCESSORIES

- The rangetop requires a 12" minimum clearance to a vertical combustible surface at the rear. A backsplash is required for installations with less than 12" clearance. The following backsplash accessories are available, or a custom, non-combustible backsplash can be used.
- Order one with a 36"-wide range backsplash:
 - UX12BS36PSS – 12" height backsplash
 - UXADBS36PSS – 30-36" adjustable-height backsplash with warming shelf