

MONOGRAM WINE RESERVE

ZDWI240HII



DIGITAL TOUCH CONTROLS

Provides precise temperature settings essential for aging or serving wine, and a LED display allows easy viewing of temperatures

FULL-EXTENSION SLIDING WINE RACKS

Holds up to 57 bottles positioned either horizontally or vertically to maximize space and can be removed for larger bottles

UV RESISTANT, TEMPERED GLASS DOOR

Affords a full view of wine reserve contents while protecting what is inside

SOFT INTERIOR LED LIGHTING

Automatically illuminates when the door is open, but can be activated by an internal on/off switch

CONVENIENT 24" CONFIGURATION

Is fully finished on all sides to allow installation virtually anywhere in the home

FLUSH INSET INSTALLATION CAPABLE

Allows near-seamless integration with surrounding cabinetry

REVERSIBLE DOOR SWING

Easily reversed to left or right door swing as needed

CUSTOM-PANEL READY

Lets you coordinate models with cabinetry for a look of elegant understatement. Customer must choose a custom door panel and handle to complement their decor



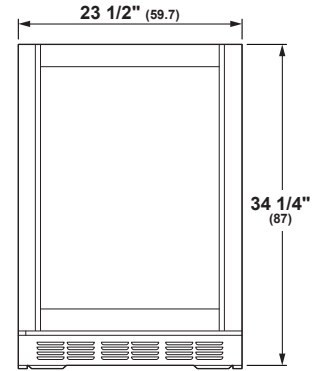
SPECIFICATIONS

Overall Width	23 1/2" (59.7 cm)
Overall Height	34 1/4" (87 cm)
Overall Depth	23 9/16" (59.8 cm)
Door Clearance	9 3/8" (23.8 cm) @ 110° 5/8" (1.6 cm) @ 90° 23 5/8" (60.0) door length
Overall Capacity	5.5 cu. ft.
Minimum Cabinet Width	23 3/4" (60.3 cm)
Minimum Cabinet Depth	24" (61.0 cm)
Cutout Width	23 3/4" (60.3 cm)
Cutout Height	34 1/2" (87.6 cm) Min 35" (88.9 cm) Max
Electrical Requirements	1.2 A
Voltz/Hertz/Amps	120 V, 60 Hz, 15 or 20 amp circuit
Shipping Weight	165 lb (75 kg)

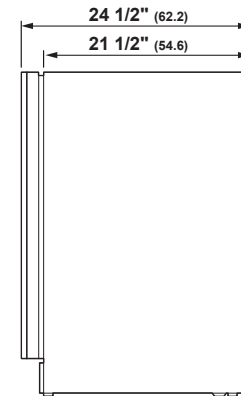
ATTENTION ELECTRICIAN:

A 115 volt 60Hz, 15 or 20 amp power supply is required. An individual properly grounded branch circuit or circuit breaker is recommended. Install a properly grounded 3-prong electrical receptacle recessed into the back wall.

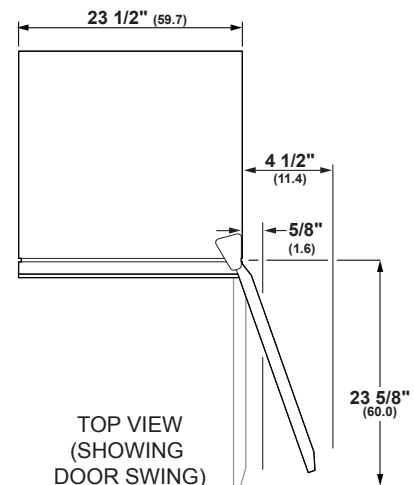
OVERALL DIMENSIONS



FRONT VIEW



SIDE VIEW

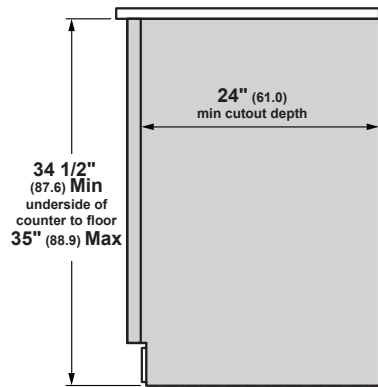


TOP VIEW
(SHOWING
DOOR SWING)

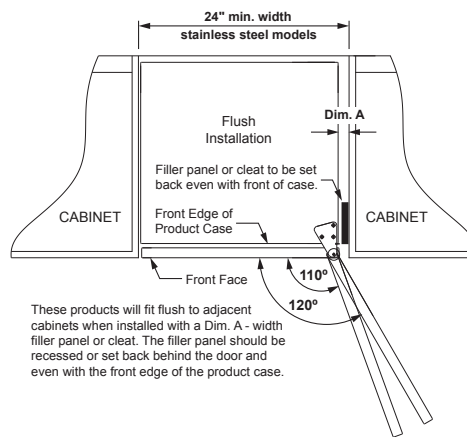
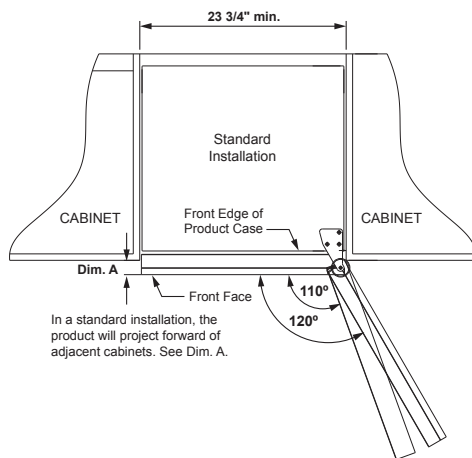
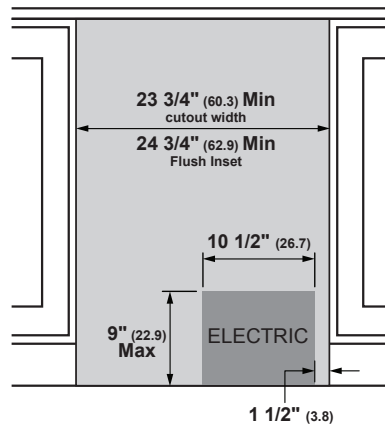
Dimensions in parentheses are in centimeters unless otherwise noted. Actual product dimensions may vary due to manufacturing tolerances.

INSTALLATION

INSTALLATION CUTOUT SIDE VIEW



INSTALLATION CUTOUT FRONT VIEW

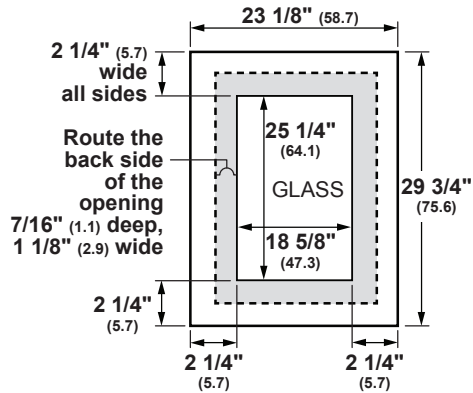


NOTES

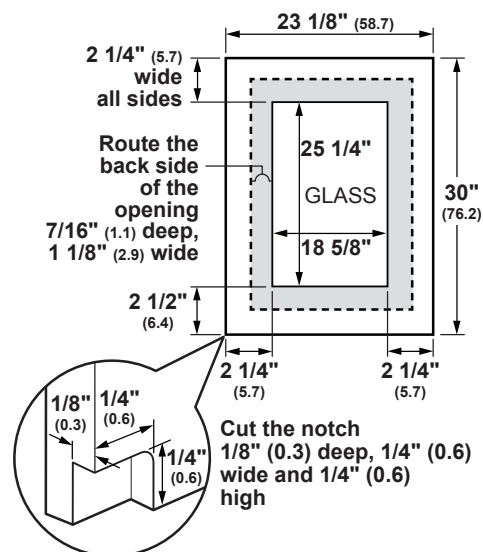
- Installation Space
The Monogram Beverage Center may be installed beneath a countertop or can be used free-standing.

INSTALLATION

CUSTOM PANEL (OPTION 1)



CUSTOM PANEL (OPTION 2)



NOTES

- There are two options: the panel may be 29-3/4" or 30" high. A 30" panel requires a notch cut into the bottom of the panel to avoid interference with the hinges.

Max. assembled door panel weight is 22 lbs.

NOTE: A solid panel that covers the door glass CANNOT be installed on these models.