

# 42-Inch French Door Refrigerator



**\$10,499**



**DRF425300AP/DA** - Panel Ready

## Features & Benefits

- Metal Cooling™ stainless steel back interior
- LED 3D Lighting
- FreshZone+™ and FreshZone™ compartment
- Icemaker with crescent ice
- Triple cooling system with 3 evaporators
- 15-year warranty on digital inverter compressor
- Hidden touch control panels with SmartThings Wi-Fi control
- Internal water dispenser
- R600a refrigerant
- Panel ready

## Controls

<b>CONTROL TYPE</b>	Easy Reach Hidden Glass Touch
<b>WI-FI + SMARTTHINGS</b>	Yes
<b>SABBATH MODE</b>	Yes

## Features

<b>TOTAL CAPACITY (CU. FT.)</b>	23.6
<b>FRESHZONE+™ CONVERTIBLE COMPARTMENT</b>	Yes
<b>FRESHZONE+™ CONVERTIBLE COMPARTMENT TEMPERATURE</b>	-8°F to 33°F
<b>PUSH-TO-OPEN</b>	No
<b>WATER DISPENSER</b>	Internal Water Dispenser
<b>ICEMAKER</b>	Standard Ice
<b>IQ REMOTEVIEW™ CAMERA</b>	No
<b>DEODORIZING FILTER</b>	Yes
<b>LED LIGHTING</b>	3D Lighting
<b>INTERIOR MATERIAL</b>	Metal Cooling™ (Stainless Steel Back Wall)
<b>DIGITAL INVERTER COMPRESSOR</b>	Yes
<b>REFRIGERANT</b>	R600a

## Features

<b>CRISPER DRAWERS</b>	2
<b>FREEZER DRAWERS</b>	4
<b>DOOR BINS</b>	7
<b>SHELVES</b>	1 x Full Width, 4 x Adjustable
<b>DOOR ALARM</b>	Yes

## Refrigerator

<b>REFRIGERATOR CAPACITY (CU. FT.)</b>	16.9
<b>REFRIGERATOR TEMPERATURE</b>	34°F to 44°F
<b>FRESHZONE™ DRAWER TEMPERATURE</b>	33°F, 37°F
<b>POWER COOL</b>	Yes
<b>FRESHZONE™ DRAWER</b>	Yes

## Freezer

<b>FREEZER CAPACITY (CU. FT.)</b>	6.7
<b>FREEZER TEMPERATURE</b>	-8°F to 5°F
<b>POWER FREEZE</b>	Yes

## Weights & Dimensions

<b>NET WEIGHT (LBS.)</b>	617
<b>SHIPPING WEIGHT (LBS.)</b>	676
<b>PRODUCT DIMENSIONS (W X H X D IN INCHES)</b>	41 ¾ x 83 ¾ x 23 ½
<b>STANDARD CUTOUT REQUIRED (W X H X D IN INCHES)</b>	41 ½ x 84 x 24
<b>FLUSH CUTOUT REQUIRED (W X H X D IN INCHES)</b>	42 x 84 x 25

## Technical Details

<b>ELECTRICAL REQUIREMENT</b>	115V, 60 Hz, 15A
-------------------------------	------------------

## Warranty

<b>FULL COVERAGE</b>	2 Years
<b>SEALED SYSTEM, PARTS AND LABOR</b>	6 Years
<b>SEALED SYSTEM, PARTS ONLY</b>	12 Years
<b>COMPRESSOR, PARTS ONLY</b>	15 Years

## Accessories (Optional)

Please see page 19 of Reference Guide for a full list of accessories.

<b>RAT42AMAASR/DA</b>	42" 4-Door Built-In French Door Refrigerator Panel Kit, Contemporary, Silver Stainless	\$1,699
<b>RAT42AMAAMS/DA</b>	42" 4-Door Built-In French Door Refrigerator Panel Kit, Contemporary, Graphite Stainless	\$1,999
<b>RACOOWFAAAA/DA</b>	Water Filter for Refrigeration	\$99
<b>RACOODFAAAA/DA</b>	Air Filter for Refrigeration DRF/DRR/DRW, Set of 6	\$129

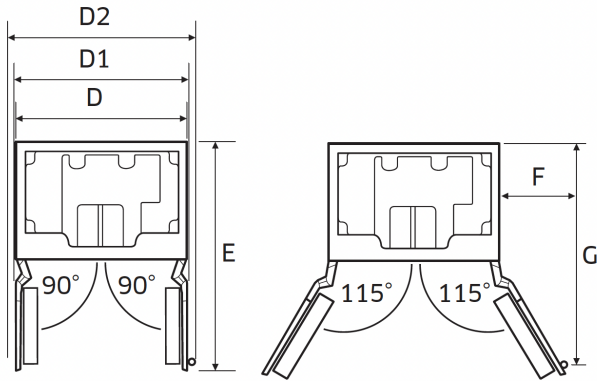
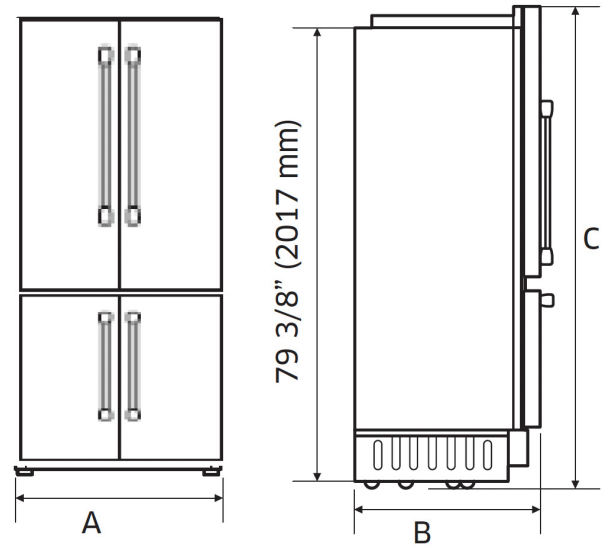
# 42-Inch French Door Refrigerator

**\$10,499**



## Product Dimensions

<b>A - WIDTH (IN/MM)</b>	41 3/4 (1060 MM)
<b>B - WITH PANEL (IN/MM)</b>	24 1/16 (627 MM)
<b>B1 - WITHOUT PANEL (IN/MM)</b>	23 13/16 (605 MM)
<b>C - HEIGHT (IN/MM)</b>	83 3/8 (2118 MM)
<b>D - (IN/MM)</b>	41 1/4 (1048 MM)
<b>D1 - (IN/MM)</b>	43 1/16 (1110 MM)
<b>D2 - (IN/MM)</b>	47 7/16 (1205 MM)
<b>E - (IN/MM)</b>	48 1/2 (1232 MM)
<b>F - (IN/MM)</b>	22 7/16 (570 MM)
<b>G - (IN/MM)</b>	47 5/8 (1210 MM)



## Installation Cutout Dimensions

<b>A - WIDTH (IN/MM)</b>	42 (1067 MM)
<b>B - DEPTH (IN/MM)</b>	25 (635 MM)
<b>C - HEIGHT (IN/MM)</b>	84 (2134 MM)
<b>D - (IN/MM)</b>	22 (559 MM)
<b>E - (IN/MM)</b>	80 (2032 MM)

