

# 18-Inch Freezer Column

\$6,999

**dacor**



**DRZ18980LAP/DA** - Panel Ready, Left Hinge  
**DRZ18980RAP/DA** - Panel Ready, Right Hinge

## Features & Benefits

- SteelCool™ full stainless steel interior
- LED 3D Lighting
- Hidden touch control panels with SmartThings Wi-Fi connectivity
- Push-To-Open door
- 15-year warranty on digital inverter compressor
- Internal icemaker
- R600a refrigerant
- Panel-ready

## Controls

<b>CONTROL TYPE</b>	Easy Reach Hidden Glass Touch
<b>WI-FI + SMARTTHINGS</b>	Yes
<b>SABBATH MODE</b>	Yes

## Features

<b>TOTAL CAPACITY (CU. FT.)</b>	9.5
<b>PUSH-TO-OPEN</b>	Yes
<b>WATER DISPENSER</b>	Internal Water Dispenser
<b>ICEMAKER</b>	Yes
<b>DEODORIZING FILTER</b>	Yes
<b>LED LIGHTING</b>	3D Lighting
<b>INTERIOR MATERIAL</b>	SteelCool™ (Full Stainless Steel Walls)
<b>DIGITAL INVERTER COMPRESSOR</b>	Yes
<b>REFRIGERANT</b>	R600a
<b>FREEZER DRAWERS</b>	2

## Features

<b>DOOR BINS</b>	4
<b>SHELVES</b>	4
<b>DOOR ALARM</b>	Yes

## Refrigerator

<b>FRESHZONE™ DRAWER</b>	Yes
--------------------------	-----

## Freezer

<b>FREEZER CAPACITY (CU. FT.)</b>	9.5
<b>FREEZER TEMPERATURE</b>	-8°F to 5°F
<b>DEDICATED EVAPORATOR &amp; COMPRESSOR SYSTEM</b>	Yes
<b>POWER FREEZE</b>	Yes

## Weights & Dimensions

<b>NET WEIGHT (LBS.)</b>	289
<b>SHIPPING WEIGHT (LBS.)</b>	425
<b>PRODUCT DIMENSIONS (W X H X D IN INCHES)</b>	17 ¾ x 83 ¾ x 25
<b>FLUSH CUTOUT REQUIRED (W X H X D IN INCHES)</b>	18 x 84 x 25

## Technical Details

<b>ELECTRICAL REQUIREMENT</b>	115V, 60 Hz, 15A
-------------------------------	------------------

## Warranty

<b>FULL COVERAGE</b>	2 Years
<b>SEALED SYSTEM, PARTS AND LABOR</b>	6 Years
<b>SEALED SYSTEM, PARTS ONLY</b>	12 Years
<b>COMPRESSOR, PARTS ONLY</b>	15 Years

## Accessories (Optional)

Please see page 18 of Reference Guide for a full list of accessories.

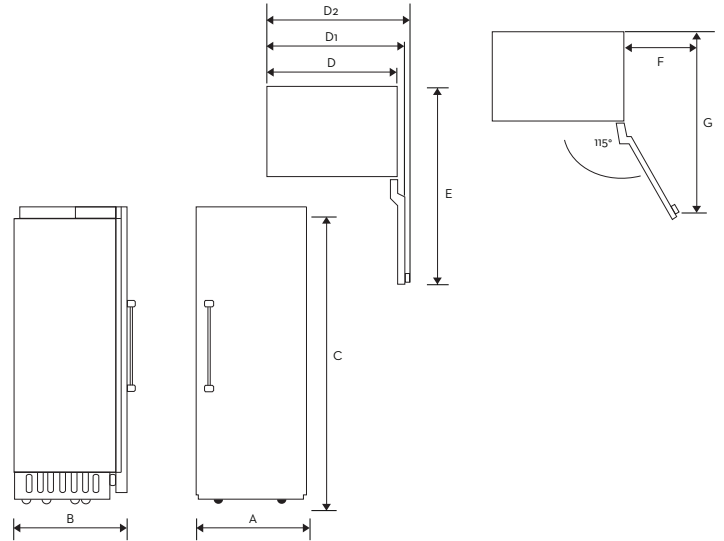
<b>RAC18AMLHSR/DA</b>	18" Panel Kit, Contemporary, Silver Stainless, Left	\$699
<b>RAC18AMRHSR/DA</b>	18" Panel Kit, Contemporary, Silver Stainless, Right	\$699
<b>RAC18AMLHMS/DA</b>	18" Panel Kit, Contemporary, Graphite Stainless, Left	\$899
<b>RAC18AMRHMS/DA</b>	18" Panel Kit, Contemporary, Graphite Stainless, Right	\$899
<b>RACOOWFAAAA/DA</b>	Water Filter for Refrigeration	\$99
<b>RACOOTCAAAA</b>	Install Kit for Triple Built-In Refrigeration	\$99
<b>RACOOCPAAAA/DA</b>	Install Kit to Pair Built-In Refrigeration	\$249

# 18-Inch Freezer Column

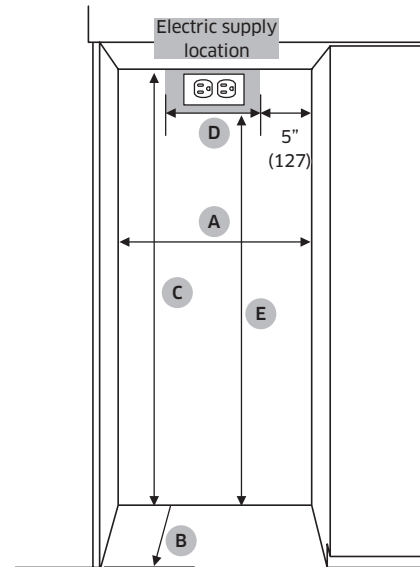
**\$6,999**



Product Dimensions	
<b>A - WIDTH (IN/MM)</b>	17 ¾ (451 MM)
<b>B - WITH PANEL (IN/MM)</b>	25 (635 MM)
<b>C - HEIGHT (IN/MM)</b>	83 ¾ (2118 MM)
<b>D - (IN/MM)</b>	17 ¾ (447 MM)
<b>D1 - WITH PANEL (IN/MM)</b>	18 ⅞ (479 MM)
<b>D2 - WITH MODERNIST HANDLE (IN/MM)</b>	20 ¾ (527 MM)
<b>E - (IN/MM)</b>	44 ¾ (1136 MM)
<b>F - (IN/MM)</b>	11 ⅜ (275 MM)
<b>G - (IN/MM)</b>	43 ⅞ (1114 MM)



Installation Cutout Dimensions	
<b>A - WIDTH (IN/MM)</b>	18 (457 MM)
<b>B - DEPTH (IN/MM)</b>	25 (635 MM)
<b>C - HEIGHT (IN/MM)</b>	84 (2134 MM)
<b>D - (IN/MM)</b>	8 (203 MM)
<b>E - (IN/MM)</b>	80 (2032 MM)



Water Supply Connection Requirements	
<b>A - (IN/MM)</b>	3 (76 MM)

