

30-Inch Dual-Fuel Range

\$5,799 | TRANSITIONAL

dacor



DOP30T940DS/DA - Silver Stainless, Natural Gas/Liquid Propane

Features & Benefits

- Dual Four-Part Pure Convection system
- Simmersear™ brass burners
- OLED control panel with SmartThings Wi-Fi connectivity
- Auto Connect to compatible ventilation through Bluetooth
- Air sous vide
- Digital temperature probe
- Self-clean oven
- Perma-Flame
- Softshut™ hinges
- LP conversion kit
- Voice commands through Bixby/Alexa/Google

Controls

CONTROL TYPE	2.25" PMOLED Touchscreen & Knobs
ILLUMINA™ KNOBS	White
WI-FI + SMARTTHINGS	Yes
BLUETOOTH AUTO CONNECT™ VENTILATION	Yes
CONTROL SHOWER LIGHTING	No
CLOCK	Yes
DELAY START	Yes
KITCHEN TIMER	Yes
CHILD LOCK	Yes
SABBATH MODE	Yes

Oven

OVEN CAPACITY (CU. FT.)	6.3
CONVECTION	Four-Part Pure Convection
BAKE ELEMENT	3,000W
BROIL ELEMENT	4,200W
CONVECTION ELEMENT	1,300W
TEMPERATURE PROBE	Yes
LIGHTING	Halogen
SELF-CLEAN	Self-Clean, GreenClean™
SOFTSHUT™	Yes

Cooktop

NUMBER OF BURNERS	4
PERMA-FLAME™ (AUTO RE-IGNITION)	Yes
LEFT FRONT (BTU)	16,000
LEFT REAR (BTU)	16,000
RIGHT FRONT (BTU)	23,000
RIGHT REAR (BTU)	9,500
BRASS BURNER CAPS	Yes
GRIDDLE	Sold Separately
WOK RING	Yes

Weights & Dimensions

NET WEIGHT (LBS.)	238
SHIPPING WEIGHT (LBS.)	265
PRODUCT DIMENSIONS (W x H x D IN INCHES)	29 15/16 x 36 1/16 x 27 1/16

Technical Details

ELECTRICAL REQUIREMENT	240V, 60 Hz, 40A
AVAILABLE FUEL TYPES	Natural Gas, Liquid Propane
LP CONVERSION KIT (INCLUDED)	Yes

Warranty

FULL COVERAGE	2 Years
----------------------	---------

Accessories (Optional)

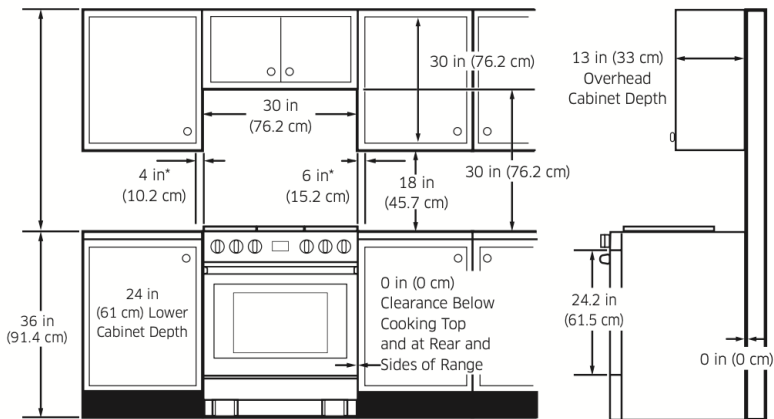
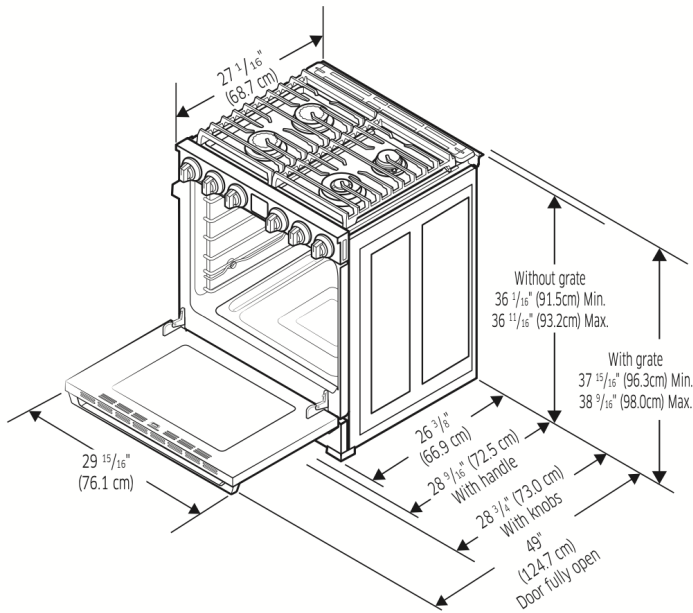
ARG30	Griddle for 30" Range	\$349
--------------	-----------------------	-------

30-Inch Dual-Fuel Steam Range

\$5,799 | TRANSITIONAL

dacor

Product Dimensions



* Side clearance above cooking surface to any objects, i.e., wall.