

36-Inch Gas Range

\$7,799 – \$8,199 | CONTEMPORARY

dacor



DOP36M96GLS/DA - Silver Stainless, Natural Gas/Liquid Propane \$7,799
DOP36M96GLM/DA - Graphite Stainless, Natural Gas/Liquid Propane \$8,199

Features & Benefits

- Double ceramic infrared broiler
- Precise control with 5 °F increments
- Dual three-part convection system
- SimmerSear™ brass burners
- BrightVue™ LED & halogen lighting
- Motorized 7-inch LCD control panel with SmartThings Wi-Fi connectivity
- Chef Mode guided cooking
- Auto Connect to compatible ventilation through Bluetooth
- Digital temperature probe
- Self-clean oven
- SoftShut™ hinges
- LP conversion Kit

Controls

CONTROL TYPE	7" Motorized LCD Touchscreen & Knobs
CHEF MODE GUIDED COOKING	Yes
ILLUMINA™ KNOBS	White
WI-FI + SMARTTHINGS	Yes
BLUETOOTH AUTO CONNECT™ VENTILATION	Yes
CONTROL SHOWER LIGHTING	Yes
CLOCK	Yes
DELAY START	Yes
KITCHEN TIMER	Yes
CHILD LOCK	Yes
SABBATH MODE	Yes

Oven

OVEN CAPACITY (CU. FT.)	5.4
CONVECTION	Dual Three-Part
BAKE BURNER	25,000 BTU
BROIL BURNER	18,000 BTU
TEMPERATURE PROBE	Yes
LIGHTING	BrightVue™ - LED & Halogen
SELF-CLEAN	Self-Clean, GreenClean™
SOFTSHUT™	Yes

Cooktop

NUMBER OF BURNERS	6
PERMA-FLAME™ (AUTO RE-IGNITION)	Yes
LEFT FRONT (BTU)	22,000
LEFT REAR (BTU)	18,000
CENTER FRONT (BTU)	18,000
CENTER REAR (BTU)	18,000
RIGHT FRONT (BTU)	22,000
RIGHT REAR (BTU)	18,000
BRASS BURNER CAPS	Yes
GRIDDLE	Sold Separately
WOK RING	Yes

Weights & Dimensions

NET WEIGHT (LBS.)	469
SHIPPING WEIGHT (LBS.)	444
PRODUCT DIMENSIONS (W x H x D IN INCHES)	35 7/8 x 36 1/2 x 29

Technical Details

ELECTRICAL REQUIREMENT	120V, 60 Hz, 20A
AVAILABLE FUEL TYPES	Natural Gas, Liquid Propane
LP CONVERSION KIT (INCLUDED)	Yes

Warranty

FULL COVERAGE	2 Years
---------------	---------

Accessories (Optional)

ARG36	Griddle for 36" Pro-Range & Rangetop	\$349
-------	--------------------------------------	-------

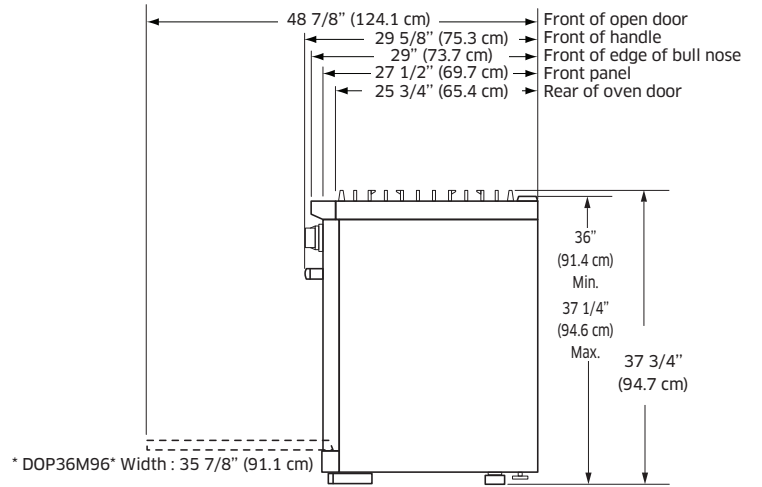
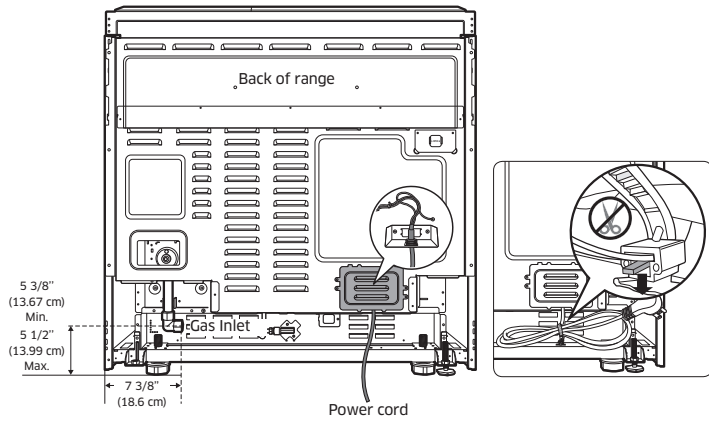
36-Inch Gas Range

\$7,799 – \$8,199 | CONTEMPORARY



Product Dimensions

WIDTH (IN/CM)	35 7/8 / 91.1
----------------------	---------------



Installation Cutout Dimensions

A - WIDTH (IN/CM)	36 / 91.4 MINIMUM 42 / 106.7 RECOMMENDED
B - WIDTH (IN/CM)	36 / 91.4

