

# 48-Inch Dual-Fuel Steam Range

\$11,999 | TRANSITIONAL

**dacor**



DOP48T960DS/DA – Silver Stainless, Natural Gas/Liquid Propane

## Features & Benefits

- Dual Four-Part Pure Convection system
- Simmersear™ brass burners
- Steam-assist oven
- Motorized 7" LCD control panel with SmartThings Wi-Fi connectivity
- Ultra wide 15-inch grates
- Auto Connect to compatible ventilation through Bluetooth
- Air sous vide
- Digital temperature probe
- Self-clean oven
- Perma-Flame
- LP conversion kit
- Voice commands through Bixby/Alexa/Google

## Controls

CONTROL TYPE	7" Motorized LCD Touchscreen & Knobs
CHEF MODE™ GUIDED COOKING	Yes
ILLUMINA™ KNOBS	White
WI-FI + SMARTTHINGS	Yes
BLUETOOTH AUTO CONNECT™ VENTILATION	Yes
CONTROL SHOWER LIGHTING	Yes
CLOCK	Yes
DELAY START	Yes
KITCHEN TIMER	Yes
CHILD LOCK	Yes
SABBATH MODE	Yes

## Oven

OVEN CAPACITY (CU. FT.)	6.4 (Large Oven), 2.4 (Small Oven)
CONVECTION	Dual Four-Part Pure Convection
STEAM	Steam Assist
BAKE ELEMENT	3,000W - 8 Pass (Large Oven), 1,000W (Small Oven)
BROIL ELEMENT	4,400W - 10 Pass (Large Oven), 2,400W (Small Oven)
CONVECTION ELEMENT	2 x 1,300W (Large Oven), 1,300W (Small Oven)
INSTANTHEAT™ (NO PREHEAT)	Yes
TEMPERATURE PROBE	Yes
LIGHTING	Brightvue™ - LED & Halogen
SELF-CLEAN	Self-Clean, GreenClean™
SOFTSHUT™	Yes

## Cooktop

NUMBER OF BURNERS	6
PERMA-FLARE™ (AUTO RE-IGNITION)	Yes
LEFT FRONT (BTU)	22,000
LEFT REAR (BTU)	16,000
CENTER FRONT (BTU)	16,000
CENTER REAR (BTU)	16,000
RIGHT FRONT (BTU)	22,000
RIGHT REAR (BTU)	9,000
BRASS BURNING CAPS	Yes
GRIDDLE	Sold Separately
WOK RING	Yes

## Weights & Dimensions

NET WEIGHT (LBS.)	578
SHIPPING WEIGHT (LBS.)	660
PRODUCT DIMENSIONS (W X H X D IN INCHES)	47- <sup>7</sup> / <sub>8</sub> x 36 x 28- <sup>3</sup> / <sub>4</sub>

## Technical Details

ELECTRICAL REQUIREMENT	240V, 60 Hz
AVAILABLE FUEL TYPES	Natural Gas, Liquid Propane
LP CONVERSION KIT (INCLUDED)	Yes

## Warranty

FULL COVERAGE	2 Years
---------------	---------

## Accessories (Optional)

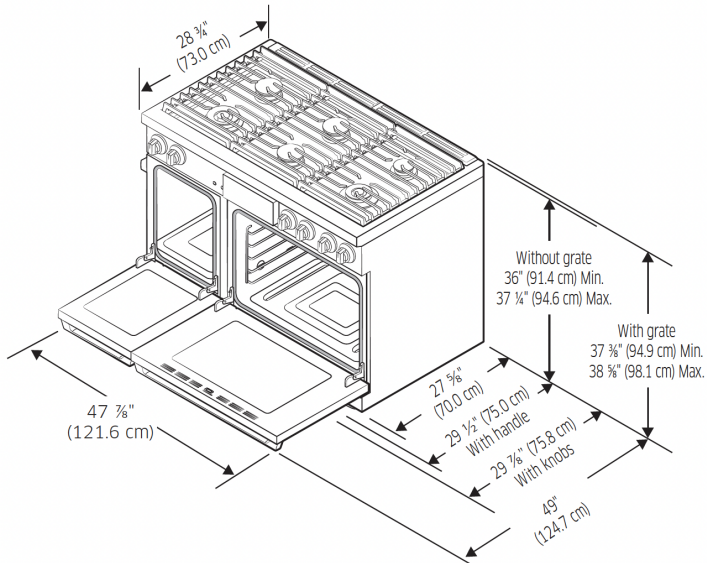
ARG48	Griddle for 48" Range and Rangetop	\$399
-------	------------------------------------	-------

# 48-Inch Dual-Fuel Steam Range

\$11,999 | TRANSITIONAL

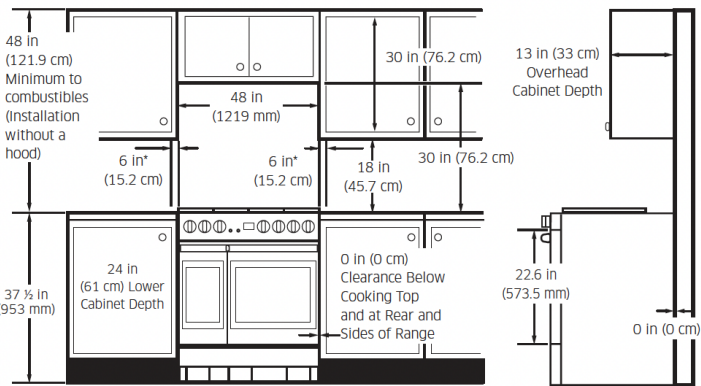
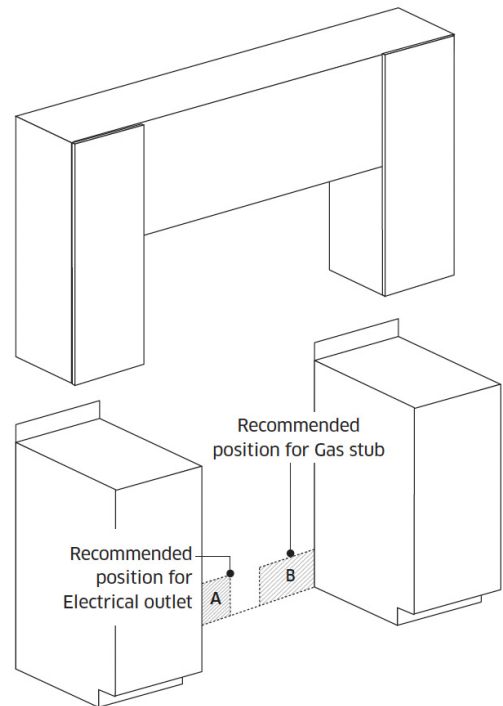


## Product Dimensions



## Installation Requirements

<b>A - ELECTRICAL OUTLET (IN/CM)</b>	9 7/8 (W) x 6 7/8 (H) (25.1 cm x 17.5 cm)
<b>B - GAS PIPING (IN/CM)</b>	17 1/16 (W) x 5 3/8 (H) (45.5 cm x 13.8 cm)



\* Side clearance above cooking surface to any objects, i.e., wall.