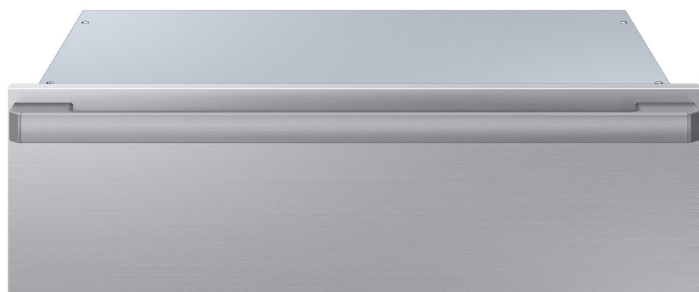


30" Warming Drawer

\$1,999

dacor



DWR30U900WS/DA – Silver Stainless

Features & Benefits

- 4 temperature levels
- 4 timer settings
- Electronic control panel

Controls

CONTROL TYPE	Tactile Control
KITCHEN TIMER	Yes

Warming Drawer

CAPACITY (CU. FT.)	1.6
TEMPERATURE RANGE	85°F to 220°F
POWER	500W
MOIST / CRISP SELECTOR	No
APPROVED FOR OUTDOOR USAGE	No

Weights & Dimensions

NET WEIGHT (LBS.)	80.7
SHIPPING WEIGHT (LBS.)	90.4
PRODUCT DIMENSIONS (W X H X D IN INCHES)	29 ¾ x 9 ⅜ x 24 1⅞
CUTOUT REQUIRED (W X H X D IN INCHES)	28 ½ x 9 ⅞ x 24°

Technical Details

ELECTRICAL REQUIREMENTS	120V, 60 Hz, 15A
--------------------------------	------------------

Warranty

FULL COVERAGE	2 Years
----------------------	---------

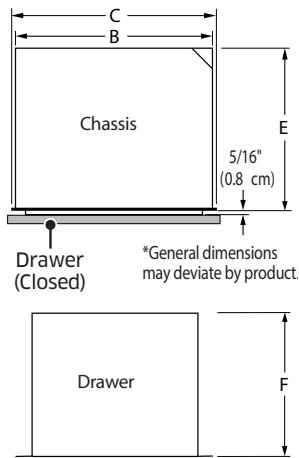
30" Warming Drawer

\$1,999

dacor

Appliance Dimensions	
A - MOUNTING BRACKET WIDTH (IN/CM)	28 5/16 / 71.9
B - CHASSIS WIDTH (IN/CM)	27 3/16 / 70.1
C - CHASSIS FACE WIDTH (IN/CM)	28 3/8 / 72.1
D - MOUNTING BRACKET HEIGHT (IN/CM)	8 15/16 / 22.7
E - CHASSIS DEPTH (IN/CM)	23 1/2 / 59.6
F - DRAWER DEPTH (IN/CM)	22 5/8 / 57.4
G - CHASSIS HEIGHT (IN/CM)	9 1/16 / 23
H* - DRAWER FRONT WIDTH (IN/CM)	29 3/4 / 75.6
I* - DRAWER FRONT HEIGHT (IN/CM)	9 3/8 / 23.9
J* - DRAWER FRONT DEPTH (IN/CM)	1 / 2.5

*DWR30U900WS/DA, DWR30U900WM/DA models only

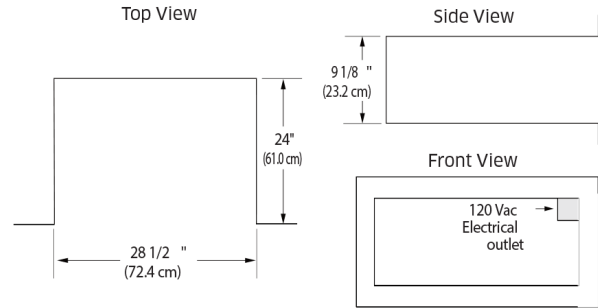


TOP VIEW

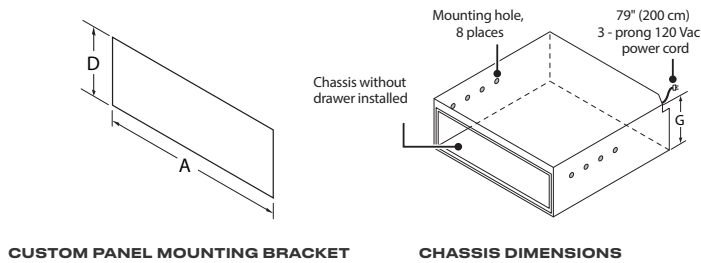
Installation Specifications	
A - CUTOUT WIDTH (IN/CM)	28 1/2 / 72.4
B* - MINIMUM WIDTH TO ADJACENT DOORS/DRAWERS (IN/CM)	30 1/4 / 76.8
C - CUTOUT HEIGHT (IN/CM)	9 1/8 / 23.2
D - MINIMUM VERTICAL GAP BETWEEN CUTOUTS (IN/CM)	1 1/4 / 3.2
MINIMUM CUTOUT DEPTH (IN/CM)	24 / 61.0

*Bare minimum spacing for ventilation and to avoid scraping on DWR30U900WS, DWR30U900WM models

** DWR30U900WP : Chassis and drawer face are smaller than cutout; custom front panel mounts to drawer face; height and width of custom front panel must exceed cutout dimensions (A, C above) to cover hole; allow 1/4" minimum added space on top, bottom and sides from the custom front panel edge to prevent scraping against adjacent doors, drawers, and countertop;

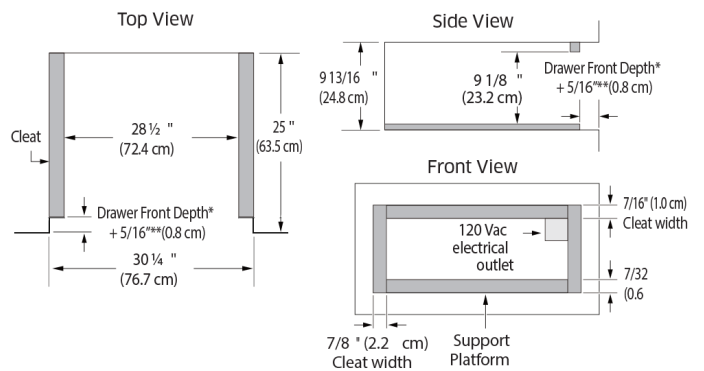


STANDARD INSTALLATION CUTOUT DIMENSIONS

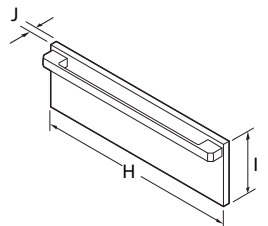


CUSTOM PANEL MOUNTING BRACKET

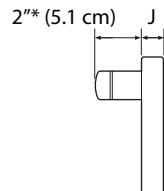
CHASSIS DIMENSIONS



FLUSH INSTALLATION CUTOUT DIMENSIONS



DRAWER FRONT DIMENSIONS



HANDLE DIMENSION