



Installation Instructions

Contemporary Rangetop

DTT48T960/DTT36T960

WARNING: If the information in these instructions is not followed exactly, a fire or explosion may result causing property damage, personal injury or death.

- Do not store or use gasoline or other flammable vapors and liquids in the vicinity of this or any other appliance.
- WHAT TO DO IF YOU SMELL GAS
 - Do not try to light any appliance.
 - Do not touch any electrical switch.
 - Do not use any phone in your building.
 - Immediately call your gas supplier from a neighbor's phone. Follow the gas supplier's instructions.
 - If you cannot reach your gas supplier, call the fire department.
- Installation and service must be performed by a qualified installer, service agency or the gas supplier.

AVERTISSEMENT: le non-respect a la lettre de ces instructions peut causer un incendie ou une explosion, qui pourrait entrainer des dommages materiels, des blessures ou la mort

- Ne pas entreposer ou utiliser d'essence ou tout autre liquide ou gaz inflammable a proximite de cet appareil ou de tout autre appareil.
- EN PRESENCE D'UNE ODEUR DE GAZ:
 - Ne tenter d'allumer aucun appareil;
 - Ne toucher a aucun commutateur electrique;
 - N'utiliser aucun telephone dans l'immeuble;
 - Appeler immediatement le fournisseur de gaz a partir d'un telephone situe a l'exterieur de l'immeuble; Suivre les instructions du fournisseur de gaz;
 - S'il est impossible de joindre le fournisseur de gaz, appeler le service des incendies.
- l'installation et la reparation doivent etre effectuees par un installateur ou une agence de reparation ayant les qualifications requises ou par le fournisseur de gaz .



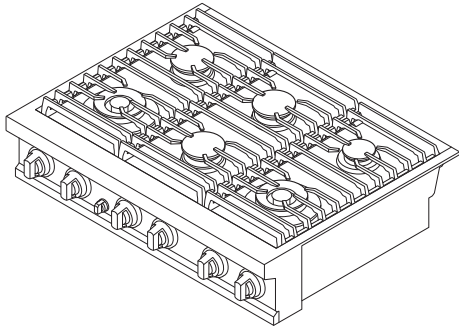
DG68-01476A-00

Contests

Before you Begin	3
Important Notes	3
Customer Service Information	4
Important Safety Instructions	5
Product specifications	14
What is in the Box	14
Parts and Tools Needed	15
Installation Requirements	16
In Preparation	16
Countertop Cutout Dimensions	18
Gas-Supply Requirements	22
Special Gas Requirements (gas models sold in Massachusetts)	22
Electrical Requirements	23
Installation Instructions	24
Installing the Rangetop	24

Before you Begin

Important Notes



User

- Keep this manual for personal and professional reference.
- Ensure that qualified personnel install and ground the rangetop.

Overall design/accessories may differ with the model.

Installer

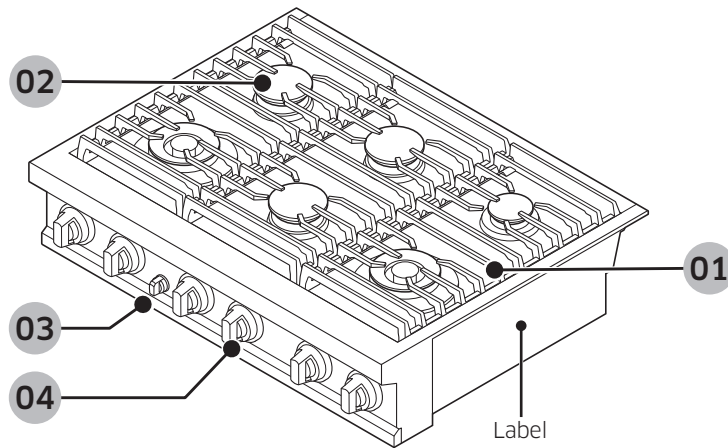
- Read this manual thoroughly before installation.
- Leave this manual with the user.
- Write the rangetop's model/serial numbers in this manual for service/maintenance reference.
- Remove all packaging from the rangetop before connecting it to the electric/gas supplies.
- Observe all governing regulations.
- Installation requires basic mechanical skills.
- The installer shall ensure proper installation.
- Product failure due to improper installation is not warrantied.
- Ensure the wall coverings around the rangetop can withstand the heat generated it.
- Overhead cabinetry should be at least 30 in. (76.2 cm) above the rangetop burners.

Service Technician

The electrical diagram is attached inside the burner box.

Customer Service Information

To resolve questions and installation issues, contact your Dacor dealer or the Dacor Customer Assurance Team. Before calling, have the rangetop's model/serial numbers available (see the data label, right-hand side of the rangetop chassis.)



Dacor Customer Service

1-833-353-5483 (USA)
Monday - Friday 8:00 AM - 8:00 PM EST

1-844-509-4659 (Canada)
Monday - Friday 8:00 AM - 8:00 PM EST

Important Safety Instructions

Read All Instructions Before Using This Appliance

- All electrical/gas equipment with moving parts can be dangerous. Read and follow this section carefully to minimize risk of property damage, personal injury, and death.
- Keep this manual in a handy place for personal and professional reference.

Symbols Used in This Manual

Follow these warning icons and symbols explicitly to prevent property damage and personal injury.

WARNING

Hazards or unsafe practices that may result in severe injury or death.

CAUTION

Hazards or unsafe practices that may result in electric shock, personal injury, or property damage.

NOTE

Useful tips and instructions.

State of California Proposition 65 Warning (US only)

This product contains chemicals known to the State of California to cause cancer and birth defects or other reproductive harm. Gas appliances can cause low-level exposure to Proposition 65 listed substances, (including benzene, carbon monoxide, formaldehyde, and soot) resulting from the incomplete combustion of LP or natural gas.

Commonwealth of Massachusetts

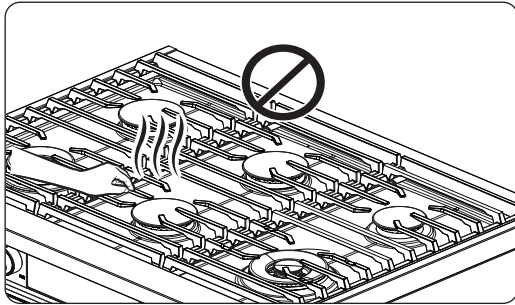
This product must be installed by a licensed plumber or gas fitter qualified or licensed by the State of Massachusetts. When using ball-type gas shut-off valves, you must use the T-handle type. Multiple flexible gas lines must not be connected in series.

Important safety instructions

General Safety

⚠ WARNING

To reduce risk of property damage, fire, personal injury, and death:



- Do not touch any part of the rangetop during or immediately after cooking.
- Learn where and how to shut off the rangetop's gas-intake valve.

- Do not let children near the rangetop or leave them unattended in the kitchen when the rangetop is in use. Dacor recommends activating the control lockout feature.
- Remove and immediately dispose of packaging. Do not let children play with the packaging.
- Do not keep objects of interest to children on or around the rangetop.
- Do not operate the rangetop if it is damaged, if it malfunctions, or if parts are missing.
- Use only dry pot holders.
- Do not heat sealed food containers on the rangetop.
- When disposing of the rangetop, cut off the power cord.
- Unplug the rangetop before service/maintenance.
- Do not leave/store combustible material and liquids on/near the rangetop.
- Teach children not to touch or play with the controls or any part of the appliance.
- Ensure all meat and poultry is cooked thoroughly. Meat should always be cooked to an internal temperature of 160 °F (71 °C), and poultry to 180 °F (82 °C).
- Do not use the rangetop as a space heater.
- Air curtains or range hoods that blow air downward shall not be used with a gas range unless the hood and range are designed and tested according to the Standard for Domestic Gas Ranges, ANSI Z21.1 • CSA1.1, and listed by an independent testing laboratory for combination use.

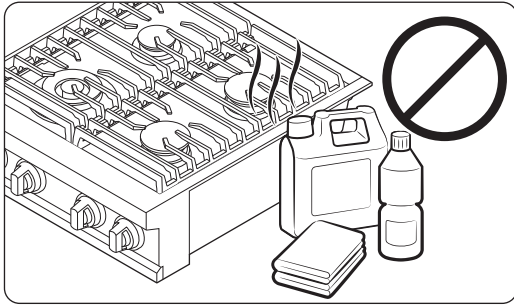
⚠ WARNING

NEVER use this appliance as a space heater to heat or warm the room. Doing so may result in carbon monoxide poisoning and overheating of the oven.

Fire Safety

⚠ WARNING

To reduce risk of property damage, fire, personal injury, and death:



- Do not store/place/use combustible items (e.g., paper, plastic, fabrics, gasoline) near the range.
- Do not wear loose-fitting or hanging garments or accessories while using the range.

- Keep flammable items away from the cooktop burners.
- Regularly clean the oven vents.
- Do not use a towel or other bulky cloth as a pot holder.
- Do not douse a grease fire with water but turn off the burner, and if needed, use a multi-purpose, dry-chemical, or foam extinguisher.
- Do not heat sealed containers.

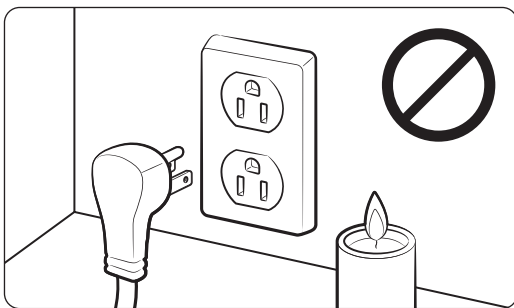
Gas Safety

⚠ WARNING

To reduce risk of property damage, fire, personal injury, and death:

If you smell gas:

- Close the valve and do not use the rangetop.
- Do not light a match, candle, or cigarette; or turn on any gas or electric appliances.



- Do not touch any electrical switches or plug in a power cord.
- Do not use any phone in your building, and evacuate the building.
- Immediately call your gas supplier from another building. Follow the supplier's directions.
- If you cannot reach your gas supplier, call the fire department.

Checking for Gas Leaks

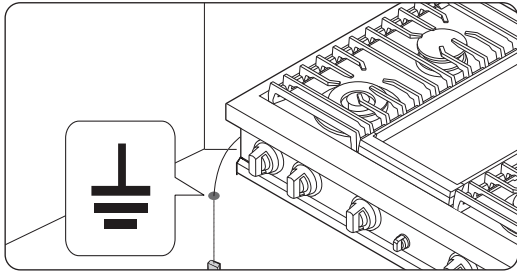
Leak-testing the appliance must be done as the manufacturer directs. Do not use a flame to check for gas leaks. With a brush, spread a soap-and-water solution around the area in question. If there is a gas leak, small bubbles will appear in the solution.

Important safety instructions

Electrical and Grounding Safety

⚠ WARNING

To reduce risk of fire, electric shock, personal injury, and death:



- Plug the appliance in to a grounded, 3-prong outlet.
 - Do not remove the ground prong.
 - Do not use an adapter or an extension cord.
 - Do not use a damaged power plug/cord, or loose power outlet.
 - Do not modify the power plug, cord, or outlet.
-
- Do not put a fuse in a neutral or ground circuit.
 - Use a dedicated 120-volt, 60-Hz, 20-amp, AC, fused electrical circuit. A time-delay fuse or circuit breaker is recommended. Plug only the rangetop into this circuit.
 - Do not connect the ground wire to plastic plumbing, gas, or hot-water lines.
 - The rangetop must be grounded. If it malfunctions, grounding provides a safe path for the current. The rangetop's grounding plug must be firmly plugged into an outlet that is properly installed and grounded per local regulations. If you are unsure your outlet is properly grounded, have it checked by a licensed electrician.
 - If codes allow a separate ground wire, a qualified electrician should determine the proper path for this ground wire.
 - Electrical service to the rangetop must conform to local codes, in the absence of which, it should meet the latest ANSI/NFPA No. 70 - Latest Revision (for the U.S.) or the Canadian Electrical Code CSA C22.1 - Latest Revisions.
 - The rangetop owner shall ensure that proper electrical service is provided.

Installation Safety

⚠ WARNING

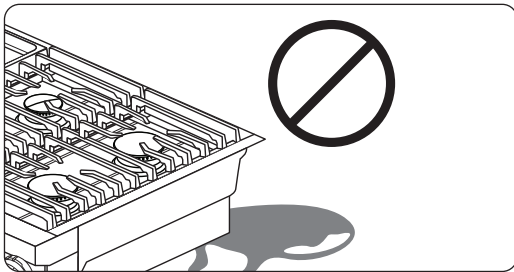
To reduce risk of fire, electric shock, personal injury, and death:

- Only install the rangetop indoors away from weather, water, wind, and strong drafts.
- Select a location where a grounded, 3-prong outlet is easily accessible.
- If the rangetop is near a window, do not hang long curtains or paper blinds that may blow over/ onto the rangetop.
- For the rangetop to ventilate properly, its vents must not be blocked, and that there is enough clearance all around. The vents allow the necessary exhaust for the appliance to operate properly with correct combustion.
- Ensure the wall coverings near the appliance can withstand heat up to 200 °F (93 °C).
- Avoid cabinet storage above the rangetop. If such storage is unavoidable, leave at least 30 in. (76.2 cm) from cooking surface to cabinet bottom, or install a hood that projects at least 5 in. (12.7 cm) beyond the cabinet bottom.

Location Safety

⚠ WARNING

To reduce risk of property damage, fire, personal injury, and death:



- Do not install the rangetop outdoors or where it will be exposed to weather/water or wind/strong drafts.

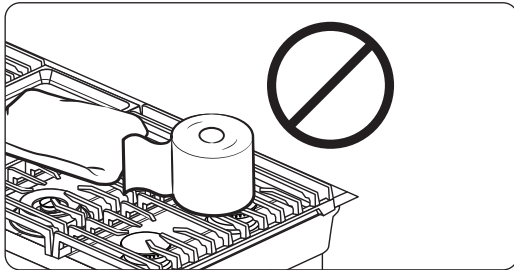
- The rangetop must be installed within reach of a grounded, 3-prong outlet.
- Do not hang window treatments that could be blown onto the rangetop.
- For proper performance, the rangetop needs sufficient space all around the chassis.
- Wall coverings around the unit must withstand heat up to 194 °F (90 °C).
- Cabinet storage above the rangetop is discouraged but if unavoidable, leave at least 30 in. (76.2 cm) between the cooking surface and cabinet bottoms.

Important safety instructions


Rangetop Safety

⚠ WARNING

To reduce risk of fire, electric shock, personal injury, and death:



- Turn all burners off when not in use.
- Do not use aluminium foil to line the grates or any part of the rangetop.
- Do not leave burners unattended on medium or high heat settings.
- Before igniting, ensure all burner caps are properly in place and all burners are level.

- Always use the LITE () position to ignite the burners, then ensure the burners ignite. If ignition fails, turn the knob to OFF, wait until the gas dissipates, then try again.
- When setting a burner to simmer, turn the knob slowly. Ensure the flame stays on.
- Place only cookware on the rangetop.
- Flame food only under an active ventilation hood.
- Turn off burners then immediately remove cookware from the burners.
- Before disassembling a burner, ensure all burners are off and the rangetop is completely cool.
- After cleaning the burner spreader, ensure it is completely dry before re-assembling.
- In assembling a burner, align the spark mark on the dual burner spreader with the electrode.
- Do not pour water into the rangetop drip basin.
- Use cookware that is designed for rangetop cooking and is large enough to cover the burner grates. Adjust burner flames to remain under the cookware.
- To avoid cookware discoloration, deformity, and/or carbon monoxide poisoning, do not use cookware that is substantially larger than the grate.
- Turn cookware handles away from surface burners and the rangetop front edge.
- Stand back from the range while frying.
- Heat frying oils slowly, and watch as they heat. If frying at high heat, closely watch the cooking process. If combining fats or oils when frying, mix them before heating.
- Use a deep-fryer thermometer if possible to monitor the oil temperature, and use minimal oil.
- Do not fry frozen food or partially thawed food that is clumped with ice.
- Before moving fat-/oil-filled cookware, make sure it has completely cooled.
- To prevent delayed eruptive boiling, let hot liquids stand at least 20 seconds after turning off the burner so the liquid temperature can stabilize. In case of scalding, immerse the burn in cool water for at least 10 minutes, then cover with a clean, dry cloth. Do not apply cream/oil/lotion.
- Center pots on the grates. Do not put a pot larger than 9" in diameter on a rear burner. Oversized pots may impede airflow, making the flame sputter and burn inefficiently.
- Do not wear loose or hanging clothing when using the rangetop.
- Never leave plastic on the rangetop. Vented hot air can melt or ignite plastic or cause a buildup of dangerous pressure in closed plastic containers.
- Put only cookware on the rangetop.
- Thaw and pad food dry before frying. Moisture can cause oil to erupt and overflow.
- Always make sure the controls are OFF and the grates are cool before you remove them to prevent any possibility of being burned.
- Keep combustible material away from the rangetop.

WARNING	AVERTISSEMENT
<p>⚠ WARNING:</p> <p>Never Operate the Top Surface Cooking Section of this Appliance Unattended</p> <ul style="list-style-type: none"> • Failure to follow this warning statement could result in fire, explosion, or burn hazard that could cause property damage, personal injury, or death. • If a fire should occur, keep away from the appliance and immediately call your fire department. <p>DO NOT ATTEMPT TO EXTINGUISH AN OIL/GREASE FIRE WITH WATER.</p>	<p>⚠ ATTENTION:</p> <p>Ne faites jamais fonctionner la surface de cuisson, sur le dessus de l'appareil, sans surveillance</p> <ul style="list-style-type: none"> • Le non-respect de cette mise en garde pourrait entraîner un incendie, une explosion ou un risque de brûlure et ainsi causer des dommages matériels, des blessures ou la mort. • Si l'appareil prend feu, tenez-vous à l'écart et appelez immédiatement votre service des incendies. <p>NE TENTEZ JAMAIS D'ÉTEINDRE UN FEU DE GRAISSE OU D'HUILE EN L'ASPERGEANT D'EAU.</p>
<p>Leak testing of the appliance shall be conducted manufacturer's according instructions to the</p>	<p>L'essai d'étanchéité de l'appareil électroménager doit être exécuté conformément aux directives du fabricant.</p>
<p>"A child or adult can tip the range and be killed."</p>	<p>« Une personne, enfant ou adulte, peut faire basculer la cuisinière et subir des blessures mortelles. »</p>
<p>"Install the anti-tip device to the structure and/or the range. Verify the anti-tip device has been properly installed and engaged [state how for the two or more possible locations]."</p>	<p>« Installer le dispositif antibasculement sur la structure ou sur la cuisinière (ou sur les deux). Vérifier si le dispositif antibasculement est installé et engagé convenablement [préciser de quelle façon pour les deux endroits possibles ou plus]. »</p>
<p>"Engage the range to the anti-tip device by [state how for the two or more possible locations]. Ensure the anti-tip device is re-engaged when the range is moved [state how for the two or more possible locations]."</p>	<p>« Engager la cuisinière dans le dispositif antibasculement en (préciser de quelle façon pour les deux endroits possibles ou plus). S'assurer que le dispositif antibasculement est engagé de nouveau après un déplacement de la cuisinière [préciser de quelle façon pour les deux endroits possibles ou plus]. »</p>
<p>"Re-engage the anti-tip device if the range is moved. Do not operate the range without the anti-tip device in place and engaged."</p>	<p>« Engager de nouveau le dispositif antibasculement si la cuisinière est déplacée. Ne pas utiliser la cuisinière lorsque le dispositif antibasculement n'est pas installé et engagé. »</p>
<p>"See installation instructions for details."</p>	<p>« Voir les directives d'installation pour obtenir de plus amples renseignements. »</p>
<p>"Failure to do so can result in death or serious burns to children or adults."</p>	<p>« Toute omission de le faire expose les enfants et les adultes à un risque de décès ou de brûlures graves. »</p>
<p>⚠ WARNING</p> <p>NEVER use this appliance as a space heater to heat or warm the room. Doing so may result in carbon monoxide poisoning and overheating of the oven.</p>	<p>⚠ AVERTISSEMENT</p> <p>Ne JAMAIS utiliser l'appareil électroménager en guise de chauffetière. Le fait de chauffer une pièce ainsi peut entraîner un empoisonnement au monoxyde de carbone ou une surchauffe du four.</p>
<p>"Top cover must be open when main burner is in operation."</p>	<p>« Le couvercle du dessus doit être ouvert lorsque le brûleur principal est utilisé. »</p>
<p>"Save the orifices removed from the appliance for future use."</p>	<p>« Conserver les orifices retirés de l'appareil en vue d'une utilisation ultérieure. »</p>

Important safety instructions

WARNING	AVERTISSEMENT
<p>⚠ WARNING</p> <p>NEVER cover any slots, holes or passages in the oven bottom or cover an entire rack with materials such as aluminum foil. Doing so blocks airflow through the oven and may cause carbon monoxide poisoning. Aluminum foil linings may also trap heat, causing a fire hazard.</p>	<p>⚠ AVERTISSEMENT</p> <p>Ne JAMAIS recouvrir une fente, un trou ou une conduite dans le fond du four ni recouvrir entièrement une grille d'un matériau comme du papier d'aluminium. Un tel revêtement bloque la circulation d'air dans le four, ce qui peut entraîner un empoisonnement au monoxyde de carbone. De plus, le papier d'aluminium peut emprisonner la chaleur, ce qui risque de provoquer un incendie.</p>
<p>"Vented unit. See installation instructions."</p>	<p>« Unité à évacuation d'air. Voir les directives d'installation. »</p>
<p>"May be vented. If vented, see installation instructions."</p>	<p>« Unité pouvant fonctionner à évacuation d'air. Le cas échéant, voir les directives d'installation. »</p>
<p>"ANS 221.1 • CSA 1.1-(year) Household Cooking Appl."</p>	<p>« Appareil électroménager de cuisson conforme à la norme ANSI 221.1 • CSA 1.1-(année). »</p>
<p>"The gas appliance pressure regulator must be set for the gas with which the appliance is used."</p>	<p>« Le régulateur de pression d'un appareil au gaz doit être réglé en fonction du gaz utilisé avec l'appareil. »</p>
<p>"Not less than the nominal width of the appliance."</p>	<p>« Au moins la largeur nominale de l'appareil électroménager. »</p>
<p>"Minimum horizontal distance(s) from sides and back of appliance to adjacent vertical combustible walls extending above the top panel, 10 in from side walls, 2.50 in from rear wall. Minimum</p>	<p>« Distance horizontale minimale entre les côtés et le dos de l'appareil et toute paroi verticale adjacente combustible plus haute que le panneau supérieur: 10 po des côtés et 2.50 po de l'arrière. Distance horizontale minimale entre le bord du</p>
<p>⚠ WARNING</p> <p>A child or adult can tip the range and be killed. Check installation of anti-tip device per installation instructions. Check engagement of anti-tip device if range is moved per installation instructions. Failure to follow these instructions can result in death or serious burns to children or adults. Show illustrations and/or instructions for checking the installation of anti-tip device.</p>	<p>⚠ AVERTISSEMENT</p> <p>Une personne, enfant ou adulte, peut faire basculer la cuisinière et subir des blessures mortelles. Vérifier si le dispositif antibasculement a été installé conformément aux directives d'installation. Si l'appareil est déplacé, vérifier l'engagement du dispositif antibasculement, conformément aux directives d'installation. Le non-respect de ces directives expose enfants et adultes à un risque de décès ou de brûlures graves. Montrer les illustrations ou les directives concernant la vérification de l'installation du dispositif antibasculement.</p>
<p>⚠ WARNING</p> <p>A child or adult can tip the range and be killed. Check installation of anti-tip device per installation instructions. Check engagement of anti-tip device if range is moved per installation instructions. Failure to follow these instructions can result in death or serious burns to children or adults. Show illustrations and/or instructions for checking the installation of anti-tip device.</p>	<p>⚠ AVERTISSEMENT</p> <p>Une personne, enfant ou adulte, peut faire basculer la cuisinière et subir des blessures mortelles. Vérifier si le dispositif antibasculement a été installé conformément aux directives d'installation. Si l'appareil est déplacé, vérifier l'engagement du dispositif antibasculement, conformément aux directives d'installation. Le non-respect de ces directives expose enfants et adultes à un risque de décès ou de brûlures graves. Montrer les illustrations ou les directives concernant la vérification de l'installation du dispositif antibasculement.</p>
<p>"CONSUMER INFORMATION - THE INSTALLER SHALL NOT REMOVE"</p>	<p>« INFORMATION À L'INTENTION DU CONSOMMATEUR NE DEVANT PAS ÊTRE ENLEVÉE PAR L'INSTALLATEUR. »</p>

WARNING	AVERTISSEMENT
"Before removing marking, ensure anti- tip device is properly installed."	« Avant d'enlever les marques, s'assurer que le dispositif antibasculement est installé convenablement. »
<p>⚠ WARNING</p> <p>Tip-Over Hazard A child or adult can tip the range and be killed. Verify the anti-tip bracket has been installed. Ensure the anti-tip bracket is engaged when the range is moved. Do not operate the range without the anti-tip bracket in place. Failure to follow these instructions can result in death or serious burns to children and adults.</p>	<p>⚠ AVERTISSEMENT</p> <p>Risque de basculement Une personne, enfant ou adulte, peut faire basculer la cuisinière et subir des blessures mortelles. Vérifier si le support antibasculement a été installé. S'assurer que le support antibasculement est engagé lorsque la cuisinière est déplacée. Ne pas utiliser la cuisinière si le support antibasculement n'est pas installé.</p>
<p>Show specific manufacturer illustrations for checking installation engagement of anti-tip brackets. CONSUMER INFORMATION - THE INSTALLER SHALL NOT REMOVE Before removing label, ensure anti-tip bracket is properly installed.</p>	<p>Le non-respect de ces directives expose enfants et adultes à un risque de décès ou de blessures graves. Montrer les illustrations du fabricant concernant la vérification de l'engagement des supports antibasculement. INFORMATION À L'INTENTION DU CONSOMMATEUR NE DEVANT PAS ÊTRE ENLEVÉE PAR L'INSTALLATEUR. Avant d'enlever l'étiquette, s'assurer que le support antibasculement est installé convenablement.</p>
"For use with a gas pressure regulator;"	« Pour utilisation avec un régulateur de pression du gaz. »
"The regulator supplied must be used with this appliance."	« Le régulateur fourni doit être utilisé avec cet appareil. »
" Caution: Label all wires prior to disconnection when servicing controls. Wiring errors can cause improper and dangerous operation."	« Attention: Étiqueter tous les fils avant de les débrancher pour effectuer l'entretien des régulateurs. Une erreur de câblage peut entraîner une utilisation inappropriée ou dangereuse: »
"Verify proper operation after servicing."	« S'assurer du bon fonctionnement de l'appareil après l'entretien. »
<p>⚠ WARNING</p> <p>Electrical Grounding Instructions This appliance is equipped with a (threeprong) (four-prong) grounding plug for your protection against shock hazard and should be plugged directly into a properly grounded receptacle. Do not cut or remove the grounding prong from this plug.</p>	<p>⚠ AVERTISSEMENT</p> <p>Mise à la terre Cet appareil est pourvu d'une fiche à trois broches dont une mise à la terre assurant une protection contre les chocs électriques. La prise dans laquelle elle est branchée doit être correctement mise à la terre. Ne pas couper ni enlever la broche de mise à la terre de la fiche.</p>
"Do not install beneath work counters. The flue discharge shall not be located below the 36 in (914 mm) level when the oven is installed in accordance with the manufacturer's instructions."	« Ne pas installer sous un plan de travail. L'échappement de gaz de combustion ne doit pas se trouver sous la limite de 914 mm (36 po) lorsque le four est installé conformément aux directives du fabricant. »
"To be used in conjunction with a suitable vent hood only."	« À utiliser exclusivement avec une hotte à évacuation appropriée. »

Product specifications

What is in the Box

Common Parts



Manual



Regulator (1) *

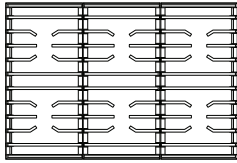


Bolt (2)

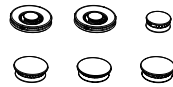


Washer (2)

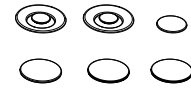
36" DTT36T960



Cooktop burner grates (3)

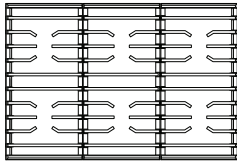


Burner heads(6) and Brass cap (8)

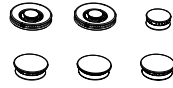


Porcelain caps (8)

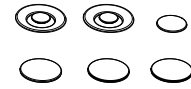
48" DTT48T960



Cooktop burner grates (3)



Burner heads(6) and Brass cap (8)



Porcelain caps (8)

NOTE

- Verify that all supplied parts are present.
- If your rangetop was damaged during shipping or specified parts are missing, contact your local retailer. Do not install a damaged or incomplete rangetop.
- Porcelain and brass burner caps are provided to suit customer preference. (The brass will discolor with use; however, the discoloration does not affect the caps' intended function.)
- If you need an accessory marked with an asterisk (*), contact Dacor Customer Assurance via
- 833-353-5483(USA), 844-509-4659(Canada), or visit : www.dacor.com

Parts and Tools Needed

Parts Needed



Gas line shut-off valve



Flexible metal appliance connector ½ in (ID) x 5 ft



Flare union adapter ¾ in (NPT) x ½ in (ID)



Flare union adapter ½ in (NPT) x ½ in (ID)



135-degree elbow (option)



90-degree elbow (option)

Tools Needed



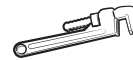
Flat-blade screwdriver



Phillips screwdriver



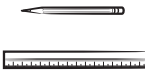
Open-end or adjustable wrench



Pipe wrench (2)



¼" Nut driver



Pencil, ruler



Level



Pipe-joint compound



Utility knife



Soap-water solution



Pliers



Saber saw

Installation Requirements

In Preparation

1. Before cutting the opening in the countertop, verify that there will be no conflict between the rangetop chassis and anything in the cabinet below.
2. Remove all packing material and accessories from the rangetop, and verify that all items are present before beginning the installation.

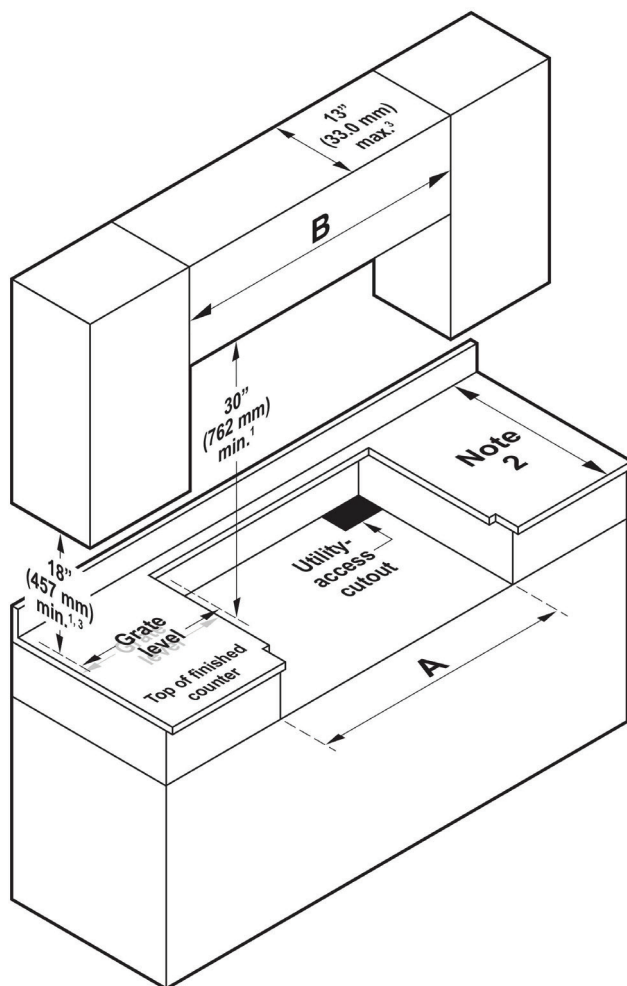
Location Requirements

Before you begin the installation, review this section thoroughly. These dimensions must be met for safe operation. Location of the electrical outlet and gas piping may be adjusted to meet the specified parameters.

CAUTION

The rangetop complies with the maximum allowable wood-cabinet temperature of 194 °F (90 °C). Ensure the wall covering, countertops, and surrounding cabinets can withstand this temperature to avoid discoloration, delamination, or melting.

Maintain These Minimum Clearances



1. Vertical to combustible surface from rangetop grate level; if installing a ventilation hood, check hood spec's for minimum required clearances.
2. See Cabinet/Countertop Dimensions -Top View.
3. This specification is not applicable for cabinets more than a horizontal distance of 10" (25.4 cm) from the edge of the rangetop.

Rangetop	DTT36T960	DTT48T960
A	36" (91.44 cm)*	48" (121.9 cm)
B	36" (91.44 cm)* 42" (106.7 cm)**	48" (121.9 cm)* 54" (137.2 cm)**

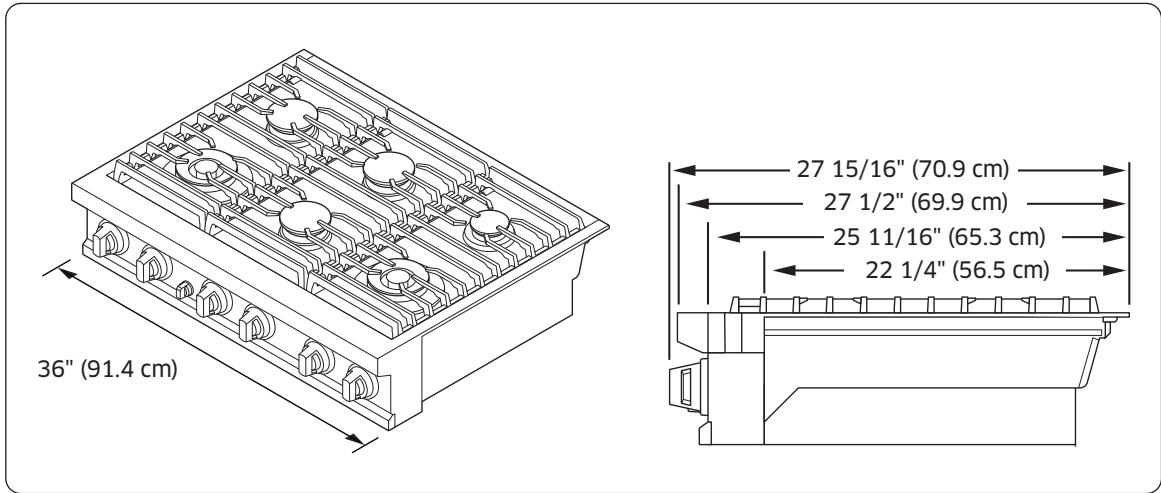
* Minimum

** Recommended

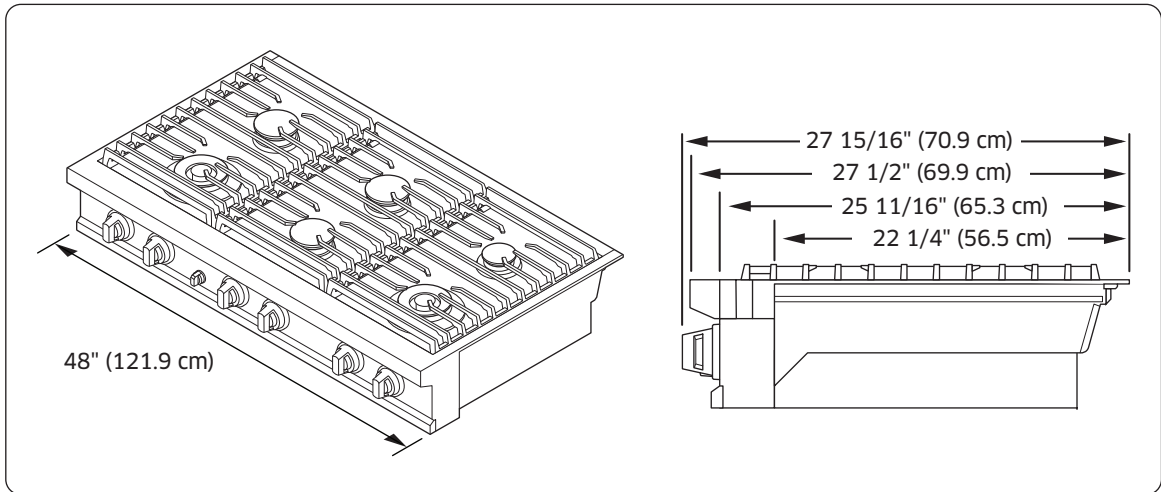
A: Rangetop cutout

B: Range hood cutout

DTT36T960



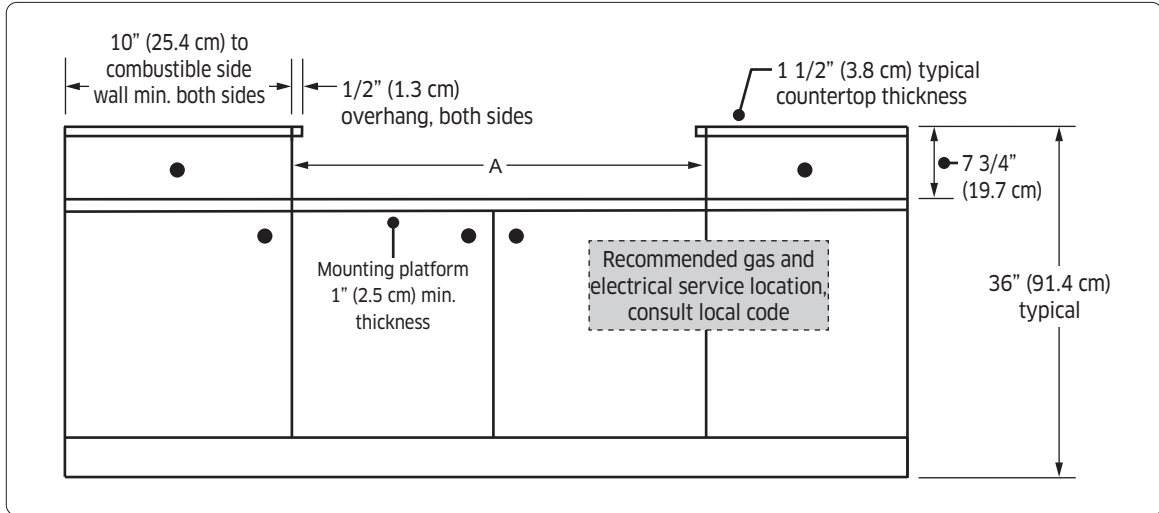
DTT48T960



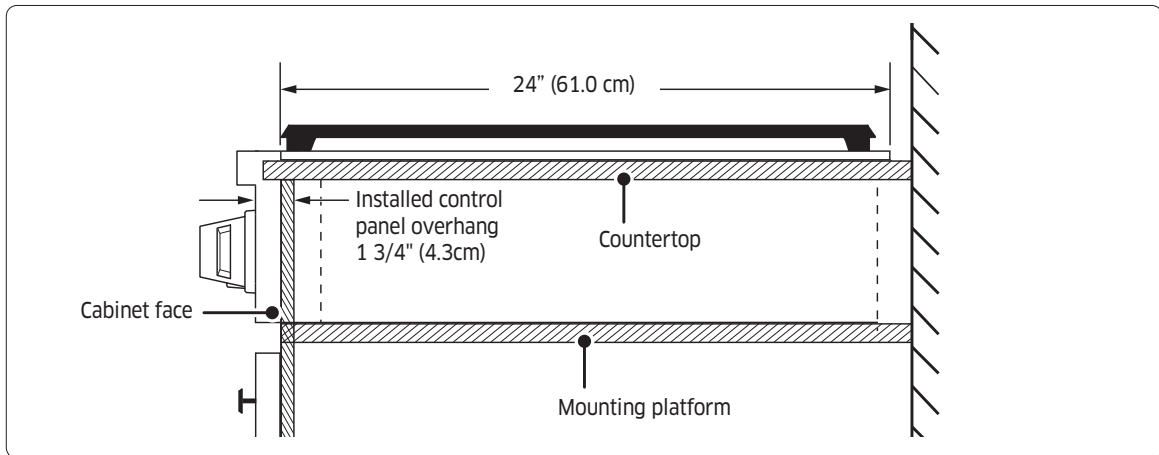
Installation Requirements

Countertop Cutout Dimensions

Cabinet/Countertop Dimensions (front view)



Installed Rangetop (side view)



CAUTION

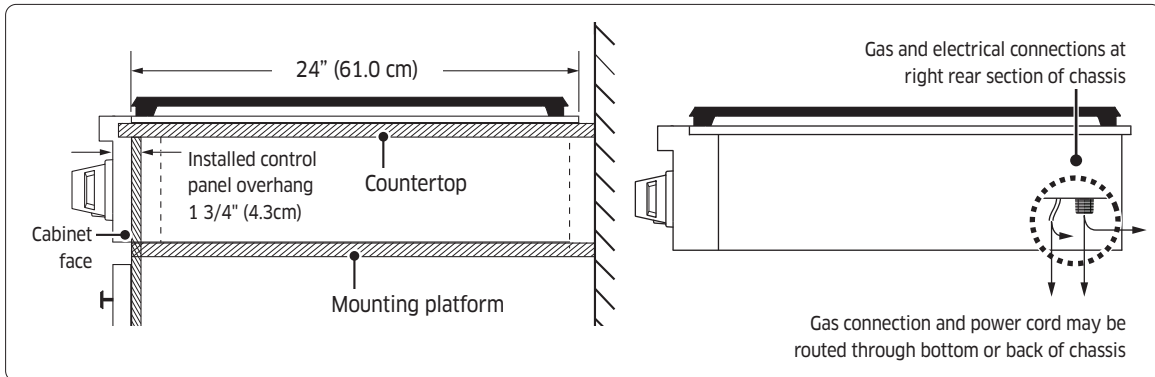
Cutout dimensions must be observed. Any overage could create severe problems.

NOTE

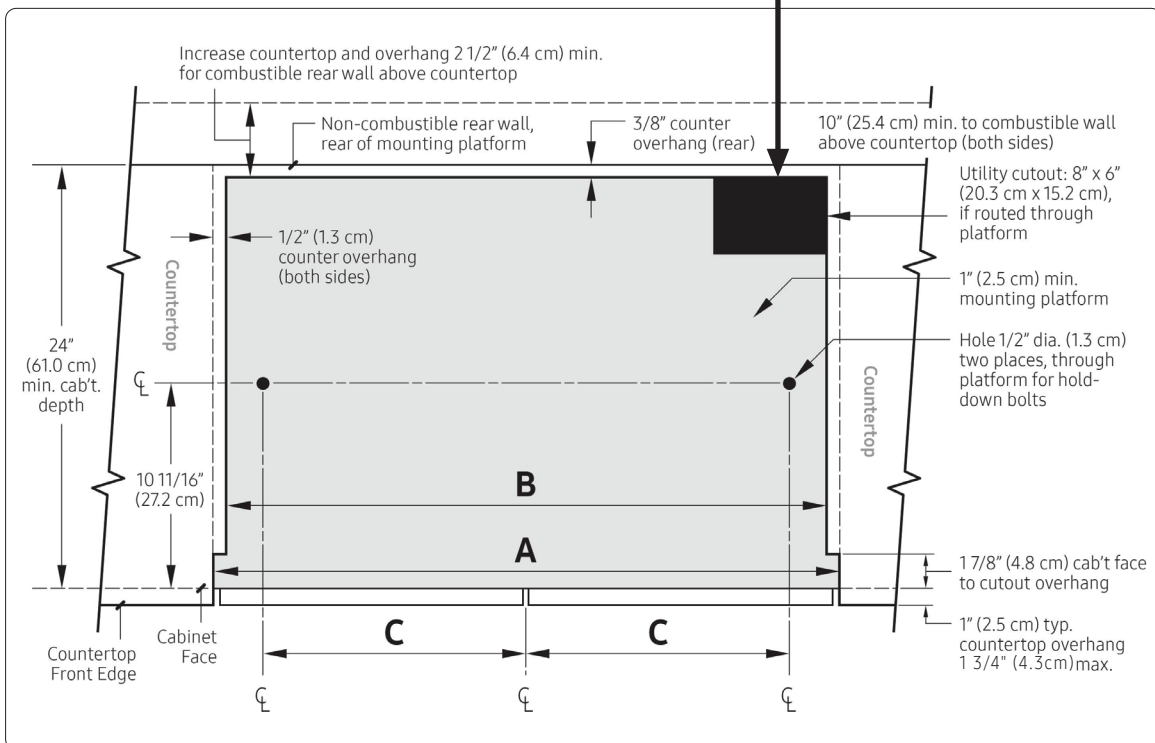
Cabinet tolerances +1/16" (+1.6 mm) -0 unless otherwise noted.

Countertop Cutout Dimensions, cont.

Installed Rangetop (side view)



Cabinet/Countertop Cutout Dimensions—No Downdraft Vent (top view)



Rangetop Model	A	B	C
DTT36T960	36" (91.4 cm)	35" (88.9 cm)	16 5/8" (42.2 cm)
DTT48T960	48" (121.9 cm)	47" (119.4 cm)	20 13/16" (52.9 cm)

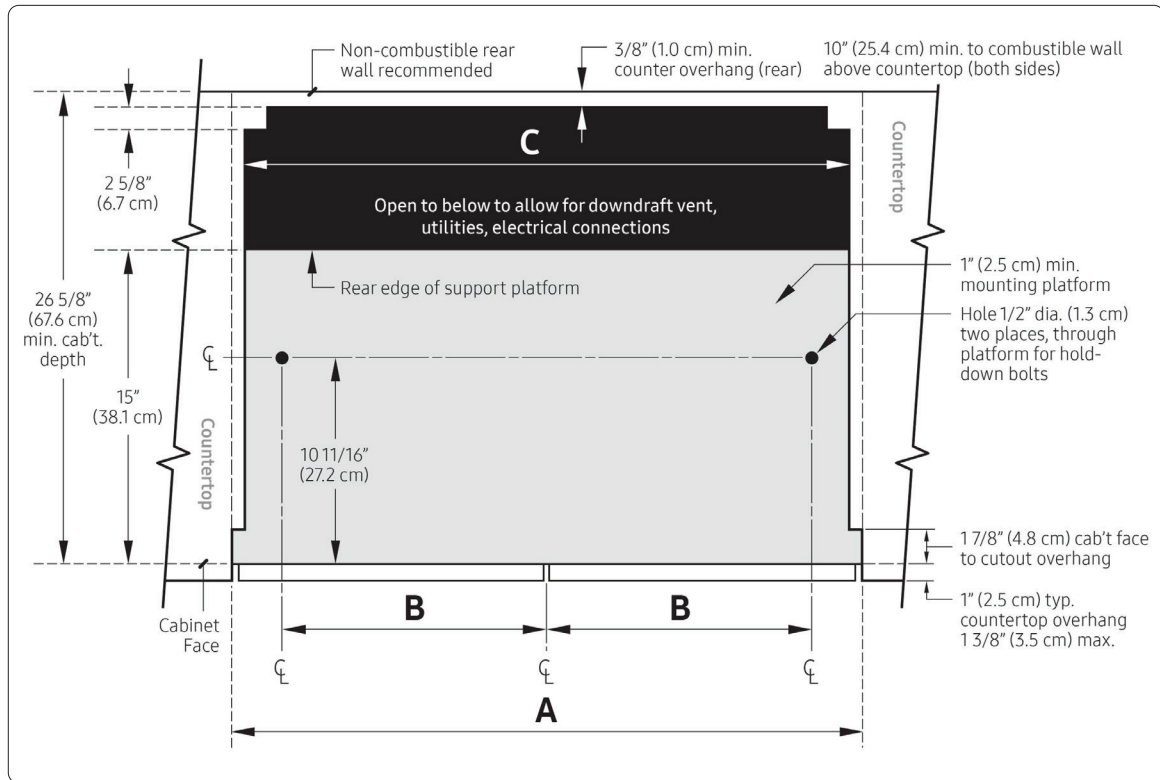
Installation Requirements

Countertop Cutout Dimensions, cont.

Cabinet/Countertop Cutout Dimensions-With Downdraft Vent (top view)

NOTE

Gas and electrical connections must be routed through the bottom of the rangetop when installed with a downdraft vent.

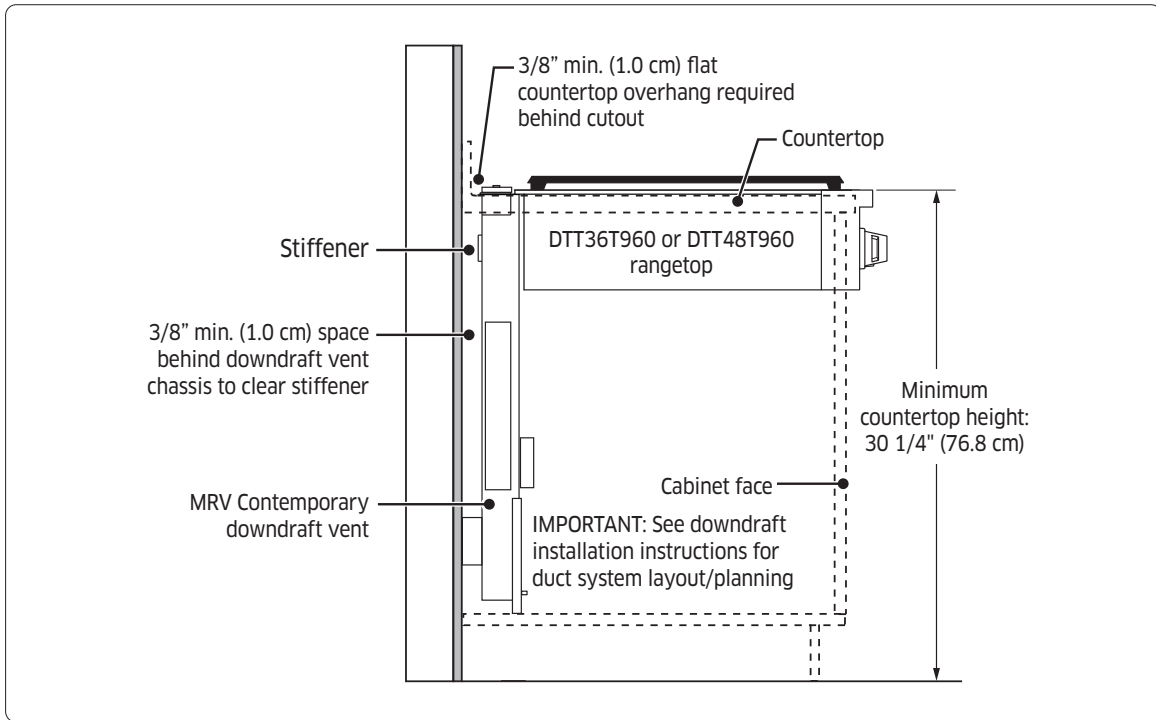


Model	A: Cutout Width	B: Hole Offset	C: Downdraft Vent Cutout	Approved Downdraft Vent Models*
DTT36T960	36" (91.4 cm)	16 5/8" (42.2 cm)	33 1/2" (85.1 cm)	MRV3615M/S
DTT48T960	48" (121.9 cm)	20 13/16" (52.9 cm)	43 1/2" (110.5 cm)	MRV48M/S

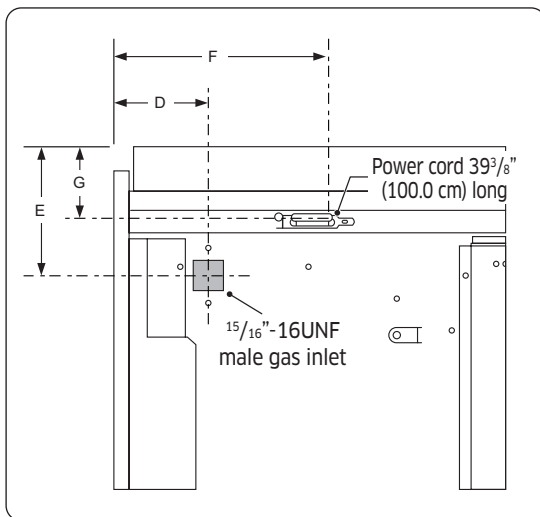
* IMPORTANT: Use only the downdraft vent models specified.

Countertop Cutout Dimensions, cont.

Cabinet/Countertop-With Downdraft Vent (side view)



Utility Locations and Dimensions (rear)



Dimension	DTT36T960	DTT48T960
D	3 1/2" (8.9 cm)	4" (10.1 cm)
E	4 11/16" (11.9 cm)	4 11/16" (11.9 cm)
F	5 1/8" (13 cm)	19 3/4" (50.1cm)
G	2 11/16" (6.9 cm)	2 11/16" (6.9 cm)

Installation Requirements

Gas-Supply Requirements

Provide Adequate Gas Supply

The rangetop operates at a manifold pressure of:

- 5 in. (13 cm) of water column for natural gas/natural-gas-at-high-altitude (NG-H) or
- 10 in. (25 cm) of water column for LP gas (propane)/LP-gas-at-high-altitude (LP/H).

Ensure your rangetop receives the proper gas. When verifying regulator function, the inlet pressure must be at least 1 in. (2.5 cm) greater than the given operating (manifold) pressure.

The pressure regulator (at the inlet of the rangetop manifold) must stay in the supply line no matter the type of gas used.

NOTE

- Use only the provided regulator, which must be installed in the gas line that runs from the gas inlet to the shut-off valve.
- An external, manual shut-off valve must be installed between the gas inlet and rangetop for turning on/off gas to the appliance.
- Have a qualified technician install the connectors.
- For a new rangetop, never install used connectors, which can leak gas and cause personal injury. Use only new, flexible connectors.

Special Gas Requirements (gas models sold in Massachusetts)

Commonwealth of Massachusetts Requirements

WARNING

- Gas leaks may occur in your system, creating a dangerous condition.
 - Gas leaks cannot always be detected by smell alone.
 - Gas suppliers recommend installing a UL-approved gas detector per manufacturer specifications.
- The rangetop must be installed by a Massachusetts-certified plumber or gas fitter.
- A T-handle manual gas valve **MUST** be installed in the gas-supply line to the rangetop.
- If a flexible gas connector is used, it must be a single length of line.

Electrical Requirements

WARNING

- The owner shall verify that the electrical service meets electrical requirements and that the outlet is properly installed by a licensed electrician.
- To reduce risk of fire, electric shock, or personal injury:
 - Do not use an extension cord or adapter plug with the rangetop.
 - The rangetop must be properly grounded.
 - Do not use a damaged power plug or loose wall outlet.
 - Do not modify, remove, or otherwise defeat the plug's grounding (3rd) prong. If you have a 2- prong outlet, or you suspect the outlet is not properly grounded, have a qualified electrician check the circuit and outlet; install the proper outlet if needed.
 - All wiring and grounding must comply with local codes or, in their absence, the National Electrical Code, ANSI/NFPA No. 70 - Latest Revision (US), or the Canadian Electrical Code CSA C22.1 - Latest Revisions and local codes.
 - The wiring diagram is inside the burner box.
 - All gas models are equipped with a power cord with an equipment-grounding conductor and a grounding plug.
 - All gas models in the US and Canada require a 120 V, 60-Hz, AC, approved electrical service with 20-amp circuit breaker or time-delay fuse.
 - NEVER connect ground wire to plastic plumbing lines, gas lines, or water pipes.

NOTE

Re-ignition may malfunction if the voltage between Neutral and Ground is over 20 VAC. Make sure the voltage is under 20 VAC.

CAUTION

Failure to follow these instructions can cause fire, electrical shock, death.

Additional installation requirements for mobile homes:

Installation of appliances designed for mobile-home use must comply with the Manufactured Home Construction and Safety Standard, Title 24 CFR, Part 3280 (formerly the Federal Standard for Mobile-Home Construction and Safety, Title 24, HUD, Part 280) or, when the standard does not apply, the Standard for Manufactured-Home Installations, latest edition (Manufactured-Home Sites, Communities and Setups), ANSI A225.1, latest edition, or with local codes. In Canada, mobile-home installation must comply with the current CAN/CSA Z240/MH Mobile-Home Installation Code.

Installation Instructions

Installing the Rangetop

IMPORTANT

Carefully read these instructions and the Important Safety Instructions (Pg. 5) before installing/ operating the rangetop. Improper installation, adjustment, service, or maintenance can lead to personal injury and property damage. **Product failure due to improper installation is not warrantied.**

NOTE

Only qualified personnel should install the rangetop.

Unpacking the Rangetop

1. Remove all packaging. (Failure to do so could damage the rangetop.)
2. Cross-check all loose parts against the parts list. (See Pg. 15.)
3. Report shipping damage and missing parts to your retailer. Do not install a damaged or incomplete rangetop.

Installing the Rangetop

1. Install any downdraft vent first, per manufacturer instructions.
2. Slide the rangetop into the cutout, and secure it to the support platform with the provided anchor bolts.

Connecting the Gas Supply

1. Shut off the main gas-supply valve before disconnecting the old rangetop.
2. Complete the gas hookup.
3. Open the gas valve, and relight the burners on any other gas appliances.

NOTE

Because hard piping restricts movement of the appliance, use a CSA International-certified flexible metal appliance connector unless local codes require hard piping.

WARNING

Follow the information in this manual exactly to avoid a fire or explosion.

- Do not store or use gasoline or other flammable liquids near the rangetop.
- **IF YOU SMELL GAS:**
 - DO NOT light a match, lighter, or any ignition device.
 - DO NOT light any appliance.
 - DO NOT touch any electrical switch.
 - Evacuate the building.
 - DO NOT use any phone in your building; from a neighbor's phone, immediately call your gas supplier, and follow their directions. (Otherwise, call the fire department.)
- Installation and service must be done by a qualified installer, service agency, or gas supplier.
- Install only the included gas regulator. (Ensure the regulator's arrow points to the appliance.)
- Do not overtighten gas connections and fittings.
- Before use, test the gas lines for leaks. (See Pg. 23.)

Installing the Rangetop, cont.

Connecting the Gas Supply, cont.

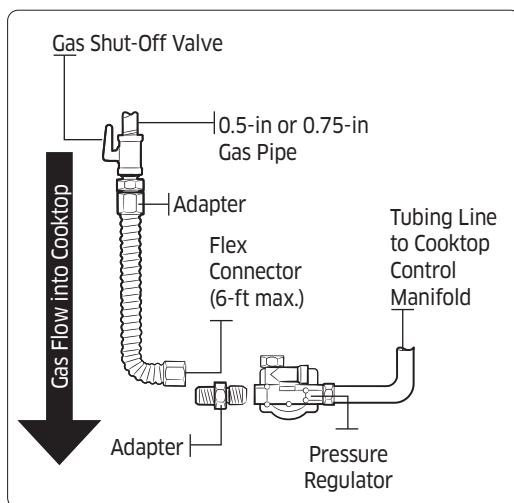
Never install an old connector on a new appliance. For hard piping, carefully align the pipe; the rangetop can-not be moved after the connection is made.

To prevent gas leaks, apply pipe-joint compound or wrap pipe-thread tape with Teflon on all male (external) pipe threads.

1. Attach the provided gas-pressure regulator to the rangetop pipe nipple inlet. (For tight installations, the regulator may be installed upstream from the nipple, anywhere between the shut-off valve and the rangetop. For best performance, minimize gas-pressure loss by attaching the regulator as close as possible to the gas inlet.)
2. Complete the connection by installing a flexible gas line between the pressure regulator and the shut-off valve.

Flexible Connector Hookup

Installer: Inform the consumer of the location of the gas shut-off valve.



NOTE

The gas shut-off valve should be installed on the gas piping, away from the rangetop, easily accessible for quick opening/closing.

Checking for Gas Leaks

WARNING

To prevent an explosion/fire hazard possibly leading to personal injury or death, DO NOT use a flame to check for gas leaks.

When using pressures above 1/2 psig to test the home gas-supply system, disconnect the rangetop and individual shut-off valve from the supply line. When testing with pressures of 1/2 psig or less, isolate the rangetop by closing the individual shut-off valve.

1. When all connections are made, ensure all rangetop controls are OFF, and turn on the main gas- supply valve.
2. Use a liquid leak detector at all joints.
3. Tighten connections as needed to prevent gas leakage in the rangetop or supply line.

Installation Instructions

Installing the Rangetop, cont.

Making the Electrical Connections

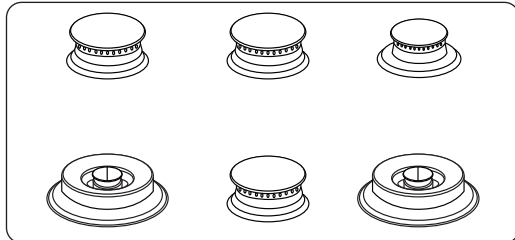
WARNING

- Disconnect power at the main circuit breaker or fuse box before making electrical connections.
 - BEFORE operating/testing, follow the grounding requirements (pg. 30) of this manual. Improper connection of the grounding plug is an electric-shock risk.
 - The electrical system (including power cord) is factory-installed/-wired. Altering any part of this system may cause a short or overload.
1. Plug in the power cord. (Ensure the outlet meets all applicable electrical codes; See Pg. 21.)
 2. After installing the rangetop, check the gas-supply line to verify it was not damaged and remains connected.

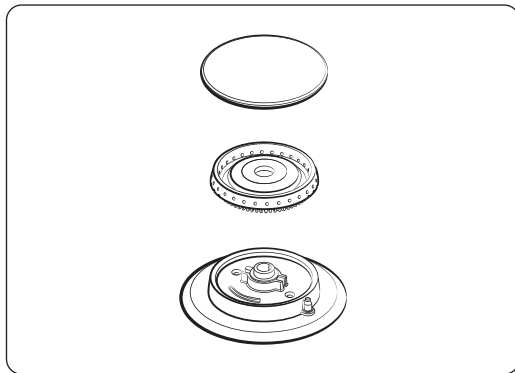
Assembling the Rangetop Burners

CAUTION

- Do not operate the rangetop burners without all burner parts in place.
- To avoid electric shock, do not:
 - push in any burner controls while removing the burner.
 - remove the top or touch the electrode of any burner while another burner is on.

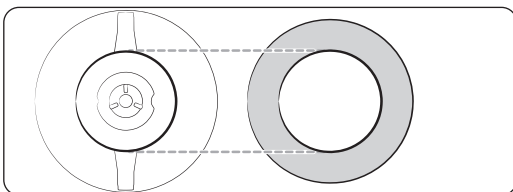
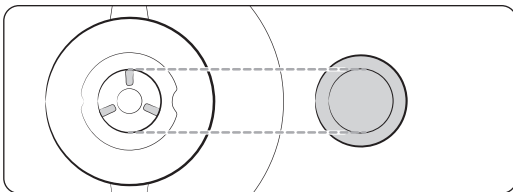
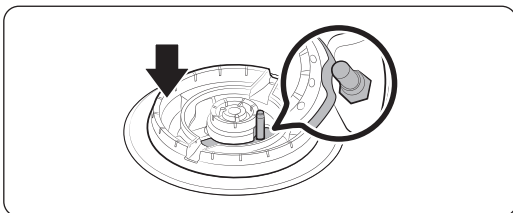
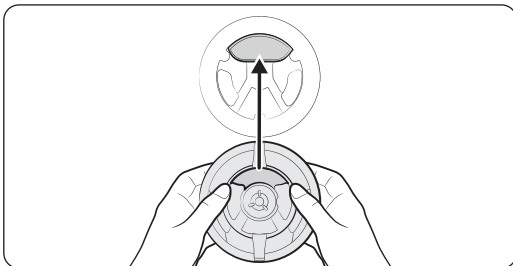


1. Place the burner heads on their bases (see left). The electrodes fit in the slot in the bottom of the heads, which should lie flat.
2. Place the caps on their respective burner heads.



Installing the Rangetop, cont.

Dual Burner Heads/Caps

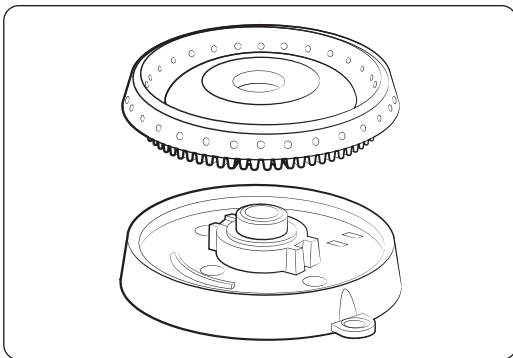


1. Orient the burner head so the opening for the electrode aligns with the electrode.

2. Install the burner head so the electrode passes through its opening in the head. Ensure the burner head lies flat on the stove top.

3. Size the burner caps to the burners, then install the caps on the heads.

Round Burner Head/Caps



1. Put the burner heads on the burner bases. The bottom of the head fits within the burner base.
2. Twist the head until it drops into place. Twist the head back and forth to verify it is properly seated.
3. Put the burner caps (brass or porcelain) on the burner heads. The ridge around the bottom edge of the cap fits around the top of the burner head.

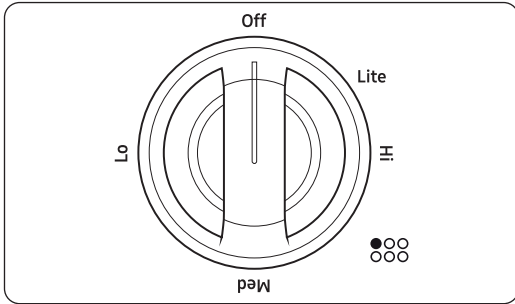
 **CAUTION**

Burner heads and caps must rest flat on the heads.

Installation Instructions

Verifying Burner Function

After the cooktop is fully installed and plugged in, make sure all burners work properly.



1. Push-turn a burner knob to the Lite. (A “clicking” sound means the electronic ignition system is functional. The burner ignites about 4 seconds later, after air is purged from the line.)
2. After ignition, turn the knob to a setting. (The “clicking” stops; flame height lowers as you turn the knob counterclockwise.)
3. Perform this procedure for each burner.

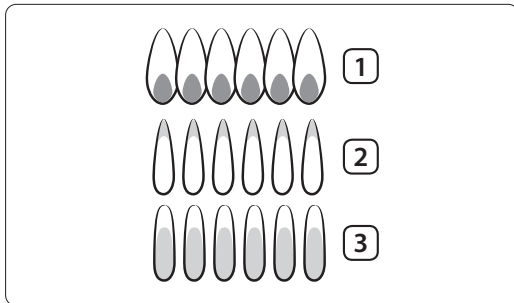
Installing the Rangetop, cont.

Checking Flame Quality

All burner flames must be visually checked to assess their quality.

CAUTION

If you want measure the flame, take care to avoid burn injuries.



1. Soft blue flames—Normal for natural gas.
2. Yellow tips on outer cones—Normal for LP gas.
3. Yellow flames—Abnormal for any gas operation.

NOTE

If the burner flame looks like Ex. 3, call for service, and do not use the rangetop. Ex. 1 or 2 are normal burner flames.

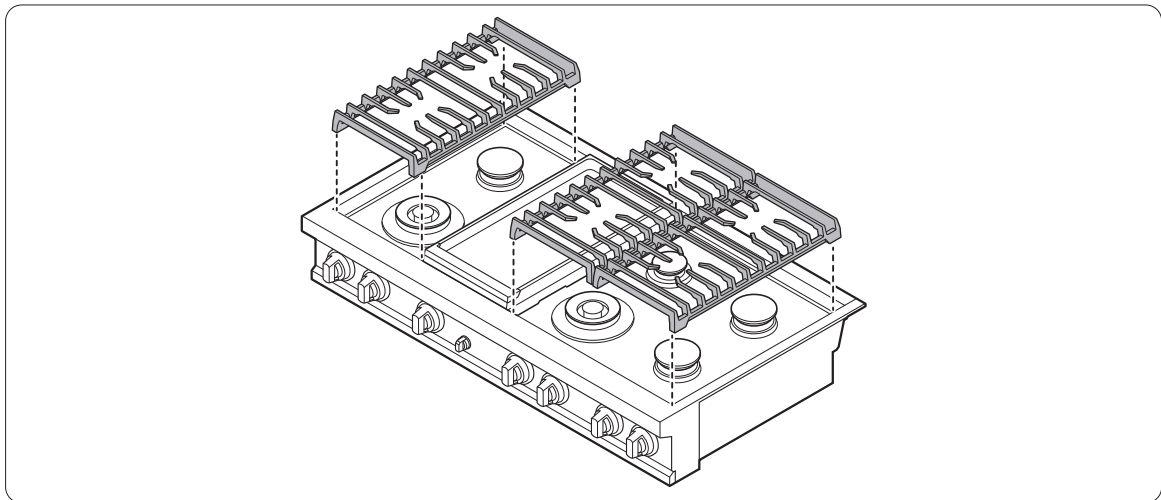
Installing the Grates

NOTE

For best results and longest life, install the grates as instructed. The grates occupy specific positions on the rangetop and should only be used in those positions. (To help with installation, each grate's position is formed into the bottom of the grate.)

The back of the right-hand grate is notched to help with placement. When installed properly, the openings in the grates are centered over the burners. To correctly position the grates:

1. Find the notch on the back of the right-hand grate, and carefully lower it until its legs rest in the corresponding dimples on the rangetop.
2. Likewise place the remaining grates so their feet rest in the corresponding dimples.



Installation Instructions

Installing the Rangetop, cont.

Final Installation Checklist

After installing the rangetop, ensure all control knobs are OFF. Review this checklist to confirm the rangetop is properly installed and ready to operate.

- The gas line was properly connected to the rangetop.
- The gas was turned on.
- All connections were checked for leaks.
- The rangetop is properly plugged in to a grounded electrical outlet.
- The rangetop burners and grates are properly assembled.
- All burners were tested and function properly.



NOTE

The owner is responsible for having the rangetop properly installed.

Notes

dacor

dacor

Instrucciones de Instalación

Parrilla Contemporary

DTT48T960/DTT36T960



DG68-01476A-00

Contenido

Antes de comenzar	5
Importante	5
Información de servicio al cliente	6
Instrucciones de seguridad importantes	7
Información de seguridad y advertencias	8
Especificaciones del producto	13
Contenido de la caja	13
Requisitos de instalación	15
Lista de verificación antes de la instalación	15
Dimensiones generales de la cubierta	16
Dimensiones del recorte de la mesada	17
Requisitos para el suministro de gas	21
Requisitos especiales para el gas (modelos a gas vendidos en Massachusetts)	21
Requisitos eléctricos	22
Instalación de la parrilla	23
Instrucciones de instalación	24



Estimado cliente:

Felicitaciones por haber adquirido este vanguardista producto Dacor®. Nuestra excepcional combinación de funciones, estilo y rendimiento nos convierte en The Life of the Kitchen™ y una excelente incorporación a su hogar.

Para familiarizarse con los controles, las funciones y el completo potencial de su nuevo electrodoméstico Dacor, lea detenidamente este manual de uso y cuidado, comenzando por la sección **Antes de comenzar**.

Todos los electrodomésticos Dacor se han diseñado y fabricado con la calidad y el orgullo que determina el marco de valores de nuestra empresa. Si se produjera algún problema con el producto, consulte en primer lugar la sección Resolución de problemas de este manual. En ella encontrará sugerencias y soluciones útiles que puede seguir antes de llamar al servicio técnico.

La valiosa opinión de los clientes nos ayuda a mejorar constantemente nuestros productos y servicios, y por ello le rogamos que contacte con nuestro equipo de atención al cliente siempre que necesite asistencia con alguno de sus productos.

Dacor Customer Service Team

USA

Samsung Electronics America, Inc.
85 Challenger Road
Ridgefield Park, NJ 07660

Canada

Samsung Electronics Canada Inc.
2050 Derry Road West, Mississauga,
Ontario L5N 0B9 Canada

Teléfono: 833-353-5483(USA), 844-509-4659(Canada)

Horario: De lunes a viernes de 8:00 a.m. a 8:00 p.m. Hora del Pacífico

Sitio web: www.dacor.com

Gracias por elegir Dacor para su hogar. Somos una empresa formada por familias y para familias, y nuestra misión es servirlos. Estamos seguros de que su nuevo producto Dacor le ofrecerá un alto nivel de rendimiento y disfrute por muchos años.

Atentamente,

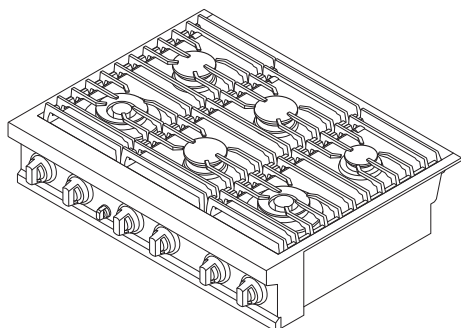
The Dacor Customer Service Team

ADVERTENCIA: No seguir las instrucciones de este manual con exactitud puede provocar un incendio o una explosión causante de daños a la propiedad, lesiones personales o la muerte.

- **NO** guarde ni utilice gasolina u otros productos inflamables cerca de este electrodoméstico.
- **SI HAY OLOR A GAS:**
 - **NO** encienda ningún artefacto.
 - **NO** toque ningún interruptor eléctrico.
 - **NO** utilice ningún teléfono dentro del edificio.
 - Llame inmediatamente al proveedor de gas desde el teléfono de un vecino y siga las instrucciones del proveedor. (Si no puede comunicarse con el proveedor de gas, llame al departamento de bomberos.)
- La instalación y el servicio técnico deben ser realizados por un instalador calificado, agencias de servicio técnico o el proveedor de gas.

Antes de comenzar

Importante



El diseño y/o los accesorios generales pueden variar dependiendo del modelo.

Acerca de este manual

LEA ESTAS INSTRUCCIONES EN SU TOTALIDAD Y CUIDADOSAMENTE.

Nota importante para el instalador

- Lea todas las instrucciones contenidas en este manual antes de instalar el artefacto.
- Retire todos los materiales de empaque de los compartimientos del artefacto antes de conectar la alimentación eléctrica y el suministro de gas al electrodoméstico.
- Cumpla todos los códigos y ordenanzas exigidos por las autoridades pertinentes.
- Asegúrese de dejar estas instrucciones al usuario.
- La instalación de este artefacto requiere conocimientos mecánicos básicos.
- La instalación adecuada es responsabilidad del instalador.
- La falla del producto debido a una instalación inadecuada no está cubierta por la Garantía.

Nota importante para el usuario

Conserve estas instrucciones con el manual del usuario para consultas futuras.

- Como con cualquier artefacto que genera calor, existen ciertas precauciones de seguridad que se deben cumplir.
- Asegúrese de que su electrodoméstico sea correctamente instalado y conectado a tierra por un técnico calificado.
- Asegúrese de que los revestimientos de las paredes alrededor de la placa de cocción puedan soportar el calor que esta genera.
- Los gabinetes de almacenamiento deben colocarse un mínimo de 30 pulgadas (76.2 cm) por encima de los quemadores de la parrilla.

Nota importante para el servicio técnico

- El diagrama eléctrico se adjunta dentro de la caja del quemador.

Instalador

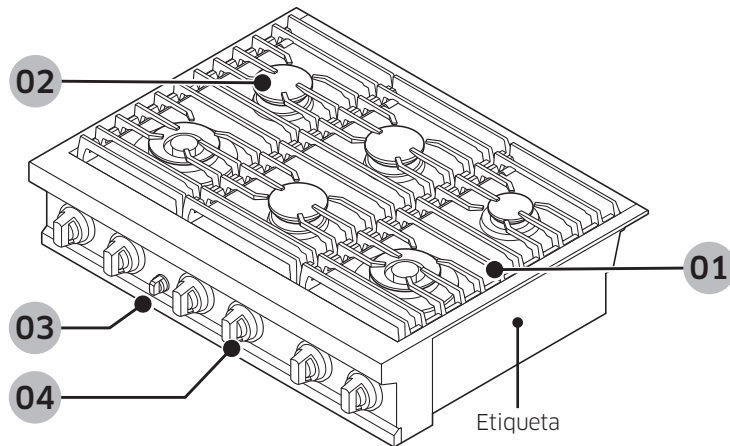
- A fin de promover la seguridad y minimizar los problemas, lea este manual detenidamente antes de iniciar la instalación. Deje este manual al usuario final.
- Anote el número de modelo y de serie del electrodoméstico en este manual como referencia para el servicio y el mantenimiento.

Usuario

- Conserve este manual para referencia personal y de los inspectores, técnicos de servicio, etc.

Información de servicio al cliente

Si desea hacer alguna pregunta o tiene un problema con la instalación, comuníquese con su distribuidor de Dacor o con el equipo de Atención al cliente de Dacor. Para reparaciones de electrodomésticos Dacor cubiertas por la garantía, llame a la línea del Centro Distintivo de Dacor. Cuando llame, tenga a mano el modelo y el número de serie del electrodoméstico. El modelo y el número de serie están impresos en una etiqueta.



Centro de atención al cliente de Dacor

Teléfono: 833-353-5483 (USA), 844-509-4659(Canada)

De lunes a viernes de 8:00 a.m. a 8:00 p.m. hora del Pacífico

Sitio Web: www.dacor.com

Servicio Distinctive Service (solo para reparaciones bajo garantía)

Teléfono: 833-353-5483(USA), 844-509-4659(Canada)

De lunes a viernes de 8:00 a.m. a 8:00 p.m. hora del Pacífico

Instrucciones de seguridad importantes

LEA TODAS LAS INSTRUCCIONES ANTES DE USAR ESTE ELECTRODOMÉSTICO

- Los equipos eléctricos y a gas con piezas móviles pueden ser peligrosos. Las instrucciones de seguridad incluidas en este manual tienen por objeto minimizar el riesgo de daños a la propiedad, lesiones y la muerte. Asegúrese de leerlas.
- Mantenga este manual en un lugar accesible para poder consultarlo cuando así lo necesite.

Símbolos usados en este manual

ADVERTENCIA

Prácticas peligrosas o inseguras que pueden provocar lesiones personales graves o la muerte.

PRECAUCIÓN

Prácticas peligrosas o inseguras que pueden provocar descargas eléctricas, lesiones personales o daños a la propiedad.

NOTA

Instrucciones y sugerencias útiles.

Estos iconos y símbolos de advertencia tienen como función evitar daños a la propiedad y lesiones personales. Cúmplalos explícitamente.

Advertencia sobre la State of California Proposition 65 (solo EE.UU.)

ADVERTENCIA: Este producto contiene productos químicos reconocidos en el estado de California como capaces de provocar cáncer y defectos de nacimiento u otras afecciones reproductivas. Los artefactos a gas pueden causar un bajo nivel de exposición a sustancias indicadas en la Proposición 65 (incluidos benceno, monóxido de carbono, formaldehído y hollín), resultantes de una combustión incompleta de gas LP o natural.

Mancomunidad de Massachusetts

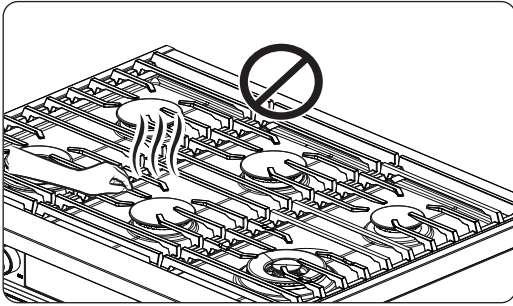
Este producto debe ser instalado por un plomero con licencia o un gasista matriculado o con licencia del Estado de Massachusetts. Cuando se utilicen válvulas de bola para el cierre del gas, se debe usar una manija en forma de "T". No deben conectarse varios conductos flexibles de gas en serie.

Información de seguridad y advertencias

Seguridad contra incendios

⚠ ADVERTENCIA

Para reducir el riesgo de incendio, descarga eléctrica, lesiones o muerte, respete estas precauciones:



- **No toque** ninguna superficie, componente o mecanismo del artefacto durante o inmediatamente después de cocinar.
- **Aprenda** dónde está y como cerrar la válvula que alimenta el gas al artefacto.

- **Asegúrese de que los soportes de sujeción a presión de la parrilla estén instalados adecuadamente.** (Consulte las instrucciones de instalación para obtener más detalles.)
- **No deje que los niños se sienten ni se paren** en el artefacto ni que jueguen con ninguno de sus componentes. Los niños no deben quedar sin vigilancia en el lugar donde se utiliza el artefacto.
- **Quite** todos los materiales de empaque antes de operar el artefacto para evitar que se incendien. Mantenga el material de empaque alejado de los niños. Deseche adecuadamente los materiales de empaque inmediatamente después de desempacar el artefacto.
- **No guarde** objetos que resulten de interés para los niños sobre o cerca del artefacto.
- **No accione** el artefacto si estuviera dañado, funcionara mal o le faltaran piezas.
- **No utilice** el artefacto como calefactor del ambiente. Este artefacto se debe usar exclusivamente para cocinar.
- **Utilice únicamente** agarradores aislantes secos.
- **No utilice** el artefacto para calentar recipientes de comida herméticos.
- **Desenchufe** el artefacto antes de realizar tareas de servicio o de mantenimiento.
- Las campanas de cortina de aire u otras campanas de estufa superiores, que funcionan dirigiendo el flujo de aire hacia la estufa, no deben utilizarse junto con una estufa de gas, a menos que la campana y la estufa hayan sido diseñadas y testeadas de acuerdo con la norma para estufas domésticas a gas, ANSI Z21.1 • CSA1.1, y que figuren en la lista de un laboratorio de análisis independiente como aptas para uso combinado.

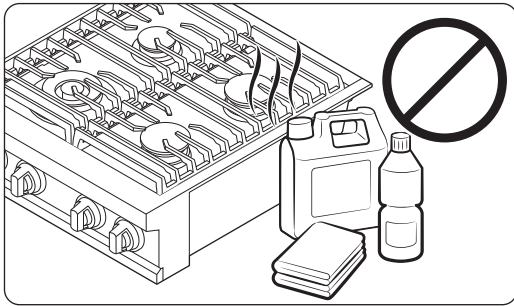
⚠ ADVERTENCIA

NUNCA utilice este artefacto como calefactor para calentar el ambiente. Hacerlo podría tener como resultado el envenenamiento con monóxido de carbono y el recalentamiento del horno.

Seguridad contra incendios

⚠ ADVERTENCIA

Para reducir el riesgo de incendio, descarga eléctrica, lesiones o muerte, respete estas precauciones:



- **No almacene/coloque/utilice** materiales combustibles (por ej.: papel, plástico, agarradores aislantes, ropa de cama, gasolina, alcohol) cerca del artefacto.
- **No lleve** prendas amplias o colgantes mientras utiliza el artefacto.

- Para evitar la acumulación de grasa, **limpie regularmente** las ventilaciones.
- **No permita** que agarradores aislantes u otros materiales inflamables entren en contacto con el elemento calentador. No utilice una toalla ni otra tela voluminosa como agarrador aislante.
- **No intente apagar** un incendio generado por grasa con agua. Por el contrario, apague la fuente de calor y extinga el fuego con una tapa que ajuste bien o utilice un extinguidor de incendios de polvo químico seco o de espuma para usos diversos.
- **No caliente** recipientes cerrados con alimentos. La acumulación de presión puede causar que el recipiente explote y provocar lesiones.

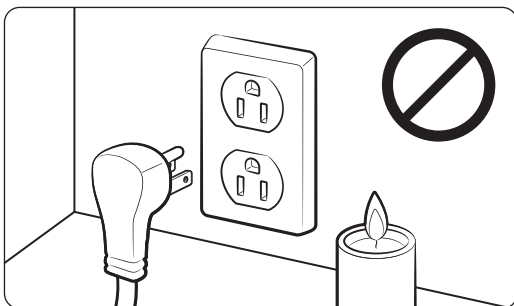
Seguridad del gas

⚠ ADVERTENCIA

Para reducir el riesgo de incendio, descarga eléctrica, lesiones o muerte, respete estas precauciones:

Si hay olor a gas

- Cierre la válvula y no use el artefacto.
- **NO encienda** cerillos, velas ni cigarrillos.
- **NO encienda** ningún artefacto eléctrico o de gas.



- **No toque** ningún interruptor eléctrico ni enchufe un cable de alimentación.
- **No utilice** ningún teléfono dentro del edificio.
- **Evacúe** a todos los que se encuentren en el edificio.
- **Llame inmediatamente** al proveedor de gas desde el teléfono de un vecino. Siga las instrucciones del proveedor de gas.
- Si no puede comunicarse con el proveedor de gas, llame al departamento de bomberos.

Verificación de pérdidas de gas

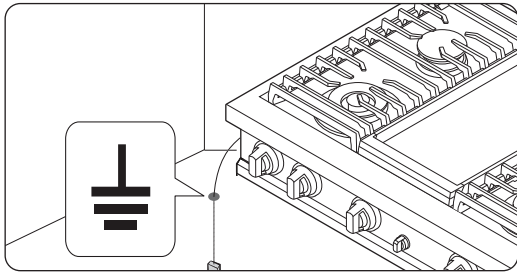
La prueba de pérdidas del artefacto debe realizarse de acuerdo con las instrucciones del fabricante. No utilice una llama para verificar si hay pérdidas de gas. Utilice un cepillo para esparcir una solución de agua jabonosa alrededor del área que está verificando. Si hay una pérdida de gas, aparecerán pequeñas burbujas en la solución.

Información de seguridad y advertencias

Seguridad de la electricidad y la conexión a tierra

⚠ ADVERTENCIA

Para reducir el riesgo de incendio, descarga eléctrica, lesiones o muerte, respete estas precauciones:



- Enchufe el artefacto a un tomacorriente de 3 clavijas conectado a tierra.
 - **No retire** la clavija de conexión a tierra.
 - **No utilice** un adaptador ni un cable prolongador.
 - **No utilice** un enchufe o un cable de alimentación dañado ni un tomacorriente flojo.
 - **No modifique** el enchufe, el cable de alimentación ni el tomacorriente.
-
- **No coloque** un fusible en el circuito neutral o de conexión a tierra.
 - Utilice un circuito eléctrico dedicado de CA, 120 voltios, 60 Hz, 15 A y equipado con fusibles para este artefacto. Se recomienda un fusible de retardo o un disyuntor. No conecte más de un artefacto a este circuito.
 - **No conecte** el cable a tierra a cañerías de plomería de plástico, tuberías de gas o tuberías de agua caliente.
 - Este artefacto **debe conectarse a tierra**. Si el artefacto funciona mal o se descompone, la conexión a tierra reduce el riesgo de descarga eléctrica al brindar una vía segura para la corriente. El cable de alimentación de este artefacto cuenta con un enchufe con conexión a tierra que debe conectarse firmemente en un tomacorriente correctamente instalado que disponga de conexión a tierra de acuerdo con las ordenanzas locales. Si no está seguro de si el tomacorriente está conectado correctamente a tierra, debe verificarlo un electricista matriculado.
 - Si los códigos permiten utilizar un cable de conexión a tierra separado, debe solicitar a un electricista calificado que determine la vía adecuada de dicho cable.
 - La alimentación eléctrica para el artefacto debe realizarse en conformidad con los códigos locales o, en su ausencia, con la versión más reciente del Código eléctrico nacional/NFPA Nro. 70 - Última revisión (para EE.UU.) o con el Código eléctrico de Canadá CSA C22.1 o sus revisiones más actuales.
 - El dueño del artefacto debe asegurarse de que exista una provisión de electricidad adecuada para la placa de cocción.

Seguridad de la instalación

⚠ ADVERTENCIA

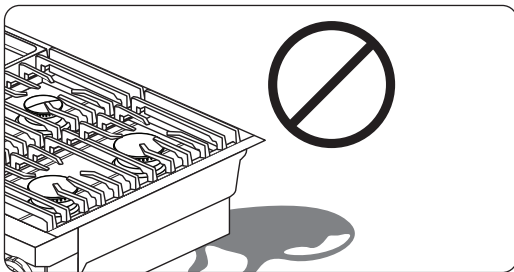
Para reducir el riesgo de incendio, descarga eléctrica, lesiones o muerte, respete estas precauciones:

- Un **instalador calificado** debe realizar la instalación y la conexión a tierra del artefacto, de acuerdo con las instrucciones de instalación. Los ajustes y servicios técnicos solo deben ser realizados por instaladores de artefactos a gas o técnicos de servicio calificados.
- **No intente** realizar el servicio/modificar/reemplazar ninguna pieza del artefacto a menos que se recomiende específicamente en este manual. Todas las demás tareas de servicio técnico deben ser encomendadas a un técnico calificado.
- Utilice únicamente conectores flexibles nuevos al instalar el artefacto.
- **Asegúrese** de que los soportes de sujeción a presión de la parrilla estén instalados adecuadamente. (Consulte las **Instrucciones de instalación** para obtener más detalles).
- **Retire** toda la cinta y el material de empaque.
- Después de desembalar el artefacto, **retire** todos los accesorios que se encuentren dentro o a su alrededor. (Manipule cuidadosamente las rejillas pesadas).
- **Asegúrese** de que no se hayan aflojado piezas durante el transporte.
- **Asegúrese** de que un técnico de servicio o instalador calificado instale y ajuste correctamente el artefacto según el tipo de gas (natural o LP) que utilizará.
- La instalación de este artefacto debe cumplir con los códigos locales o, a falta de ellos, con la versión más reciente del Código nacional de gas combustible, ANSI Z223.1/NFPA.54. En Canadá, la instalación debe cumplir con el Código de instalación para gas natural y propano CAN/CGA-B149.1 actual o con el Código de instalación para propano CAN/CGA-B149.2 actual y con los códigos locales, cuando corresponda. El diseño de esta placa de cocción ha sido certificado por UL según la versión más reciente de ANSI Z21.1/CSA 1.1.

Seguridad de la ubicación

⚠ ADVERTENCIA

Para reducir el riesgo de incendio, descarga eléctrica, lesiones o muerte, respete estas precauciones:



- Este artefacto ha sido diseñado para uso doméstico en interiores solamente. **No instale** el artefacto en exteriores ni en ningún lugar donde pueda quedar expuesto al clima/agua o viento/corrientes de aire fuertes.

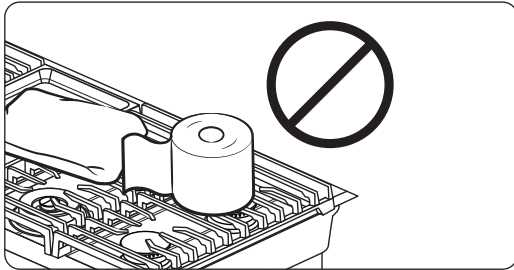
- El artefacto debe instalarse en un lugar con un fácil acceso a un tomacorriente de 3 clavijas con conexión a tierra.
- No coloque cortinas de papel en las ventanas cercanas a la placa de cocción; **no instale** cortinas largas que puedan desplazarse sobre el artefacto.
- Para contar con una ventilación adecuada, el artefacto requiere un espacio suficiente debajo y alrededor del chasis. Las ventilaciones del chasis expulsan calor y humo para que el artefacto pueda funcionar adecuadamente.
- **Asegúrese** de que los revestimientos de las paredes que rodean al artefacto puedan soportar un calor de hasta 194 °F (90 °C), generado por el electrodoméstico.
- No almacene objetos sobre el artefacto. Si fuera necesario colocar gabinetes sobre el artefacto, debe dejarse un espacio libre de 30 pulgadas (76.2 cm) entre la superficie de cocción y la parte inferior de los gabinetes.

Información de seguridad y advertencias

Seguridad del la parrilla

▲ ADVERTENCIA

Para reducir el riesgo de incendio, descarga eléctrica, lesiones o muerte, respete estas precauciones:



- **Asegúrese** de que todos los quemadores estén apagados cuando no estén en uso.
 - **No utilice** papel de aluminio para cubrir las rejillas ni ninguna parte de la parrilla.
 - **No deje** los quemadores sin vigilancia en configuraciones de calor medio o alto.
 - Antes de encender los quemadores, **asegúrese** de que todas las tapas estén correctamente instaladas en su lugar y que todos los quemadores estén nivelados.
- Siempre use la posición LITE (Encender) al encender el quemador y asegúrese de que encienda. Si falla el encendido, gire la perilla en OFF (Apagado) y espere unos minutos hasta que se disipe el gas.
 - Cuando coloque un quemador a fuego lento, **no gire** la perilla rápidamente. Asegúrese de que la llama permanezca encendida.
 - **No** coloque sobre la parrilla objetos que no sean recipientes y utensilios de cocina.
 - Antes de retirar o cambiar utensilios de cocina, apague los quemadores.
 - Retire los alimentos y los utensilios de inmediato después de la cocción.
 - Asegúrese de que todos los quemadores de la parrilla estén apagados y todas las superficies se hayan enfriado completamente antes de retirar las rejillas y desensamblar los quemadores.
 - Después de limpiar el cabezal del quemador, **asegúrese de que** esté completamente seco antes de volver a ensamblarlo.
 - Para evitar el envenenamiento por monóxido de carbono, **no vierta** agua ni otros líquidos sobre la parrilla durante la limpieza.
 - Seleccione recipientes diseñados para parrillas y que sean lo suficientemente grandes como para cubrir las rejillas. La llama de los quemadores no deben extenderse más allá de la base de los recipientes.
 - Para evitar que los recipientes se decoloren, se deformen o que se produzca un envenenamiento por monóxido de carbono, no utilice recipientes que superen en exceso el tamaño de la rejilla.
 - Oriente siempre las manijas de los utensilios hacia un lado o hacia atrás de la parrilla, y no sobre quemadores activos o el borde delantero de la parrilla.
 - Manténgase a una distancia segura al freír a fin de evitar quemaduras.
 - Para freír, caliente el aceite despacio y supervise la operación. Cuando fría alimentos a alta temperatura, supervise el aceite durante todo el proceso de cocción. Si para freír utiliza grasa y aceite, debe mezclarlos antes de calentarlos.
 - Utilice un termómetro para freidoras de inmersión cuando sea posible para evitar que el aceite se caliente más allá del punto de generación de humo. (Debe conocer el punto de generación de humo del aceite que está usando.)
 - Utilice una cantidad mínima de aceite para cualquier tipo de fritura. No fría alimentos congelados, muy fríos o con restos de hielo apelmazado.
 - Deje siempre que el aceite o la grasa se enfríe a temperatura ambiente antes de mover el utensilio de cocina.
 - Para evitar una ebullición retardada, deje reposar el aceite o la grasa durante por lo menos 20 segundos después de apagar el quemador para que la temperatura se estabilice. En caso de escaldaduras, siga estas instrucciones de primeros auxilios:
 1. Sumerja el área escaldada en agua fría o tibia durante al menos 10 minutos.
 2. No se aplique cremas, aceites ni lociones.
 3. Cubra el área quemada con un paño limpio y seco.

Especificaciones del producto

Contenido de la caja

Piezas provistas

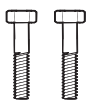
Común



Manual



Regulador (1) *

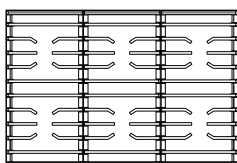


Tornillo (2)



Arandela (2)

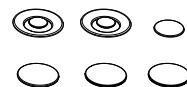
DTT36T960



Rejillas para los quemadores de la placa de cocción (3)

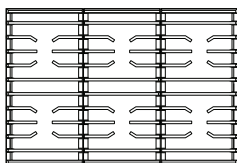


Cabezales de los quemadores (6) y tapas de latón (8)

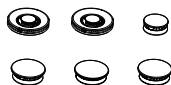


Tapas de porcelana (8)

DTT48T960



Rejillas para los quemadores de la placa de cocción (3)



Cabezales de los quemadores (6) y tapas de latón (8)



Tapas de porcelana (8)

NOTA

- Compruebe que haya recibido todas las piezas que se han presentado.
- Si su placa de cocción sufriera daños durante el transporte o faltara alguna de las piezas especificadas, comuníquese con su minorista local. No instale la placa de cocción si estuviera dañada o incompleta.
- Si necesita alguno de los accesorios identificados con un asterisco (*), comuníquese con el Centro de Llamados de DACOR al número que figura en la última página del manual o visite nuestro sitio en línea de repuestos www.dacor.com.

Especificaciones del producto

Piezas necesarias



Válvula de cierre en la tubería de gas



Conector flexible de metal del artefacto de ½ pulgada (diámetro interior) x 5 pies



Adaptador de unión cónica de ¾ pulgada (NPT) x ½ pulgada (diámetro interior)



Adaptador de unión cónica de ½ pulgada (NPT) x ½ pulgada (diámetro interior)



Codo de 135 grados (opcional)



Codo de 90 grados (opcional)

Herramientas necesarias



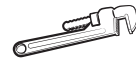
Destornillador de punta plana



Destornillador Phillips



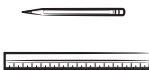
Llave de boca fija o ajustable



Llave Stillson (2)



Llave para tuercas de ¼"



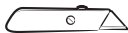
Lápiz y regla



Nivel



Compuesto de unión de tuberías



Navaja multiuso



Solución de agua jabonosa



Pinzas



Sierra de sable

Requisitos de instalación

Lista de verificación antes de la instalación

1. Antes de preparar la abertura en la mesada, verifique que no haya conflicto entre el chasis de la parrilla y cualquier parte del gabinete que se encuentra debajo.
2. Retire los materiales de empaque, las cajas de las rejillas, el regulador con información impresa y el paquete de información impresa del artefacto, verifique que todas las piezas estén presentes antes de comenzar la instalación.

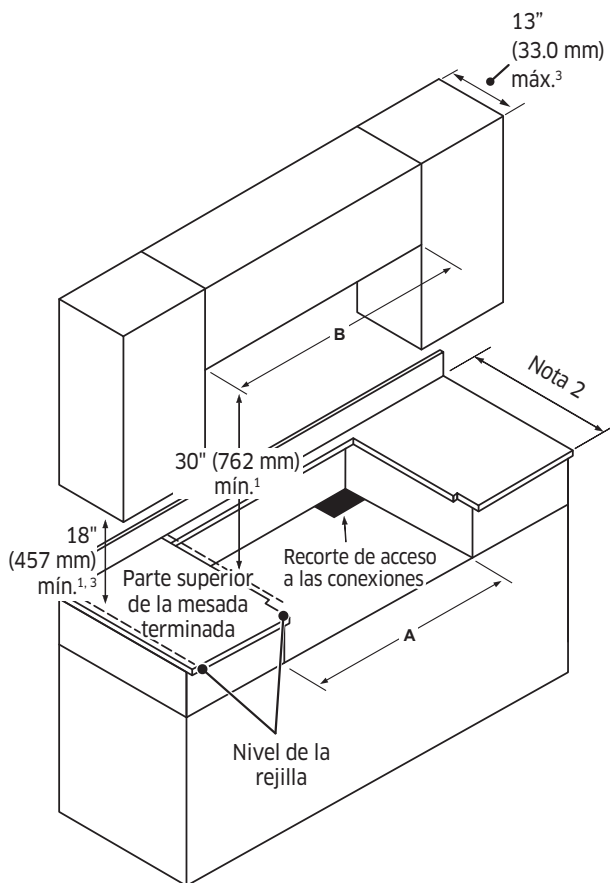
Requisitos de ubicación

ANTES DE COMENZAR a instalar el artefacto, consulte la información, dimensiones y espacios libres que aparecen a continuación. Deben cumplirse estas dimensiones para que el funcionamiento sea seguro. La ubicación del tomacorriente y de la tubería de gas puede ajustarse para cumplir con los parámetros especificados.

PRECAUCIÓN

Este artefacto cumple con la temperatura máxima admisible para gabinetes de madera de 194 °F (90 °C). Asegúrese de que el revestimiento de las paredes, las mesadas y los gabinetes de alrededor también soporten dicha temperatura. De lo contrario, se podrían producir alteraciones de color, deslaminación o derretimiento.

Mantenga las siguientes dimensiones mínimas de separación



1. Vertical a la superficie combustible desde el nivel de la rejilla de la parrilla; si instala una campana de ventilación superior, también verifique las especificaciones de la campana para conocer los espacios libres requeridos.
2. Consulte las dimensiones del recorte del gabinete/mesada - Vista superior.
3. Esta especificación no corresponde a gabinetes con una distancia horizontal superior a 10" (25.4 cm) desde el borde de la parrilla.

Parrilla	DTT36T960	DTT48T960
A	36" (91.44 cm)	48" (121.9 cm)
B	36" (91.44 cm)* 42" (106.7 cm)**	48" (121.9 cm)* 54" (137.2 cm)**

* Mínimo;

** Recomendado

A: Abertura recortada de la parrilla

B: Abertura recortada de la campana de la estufa

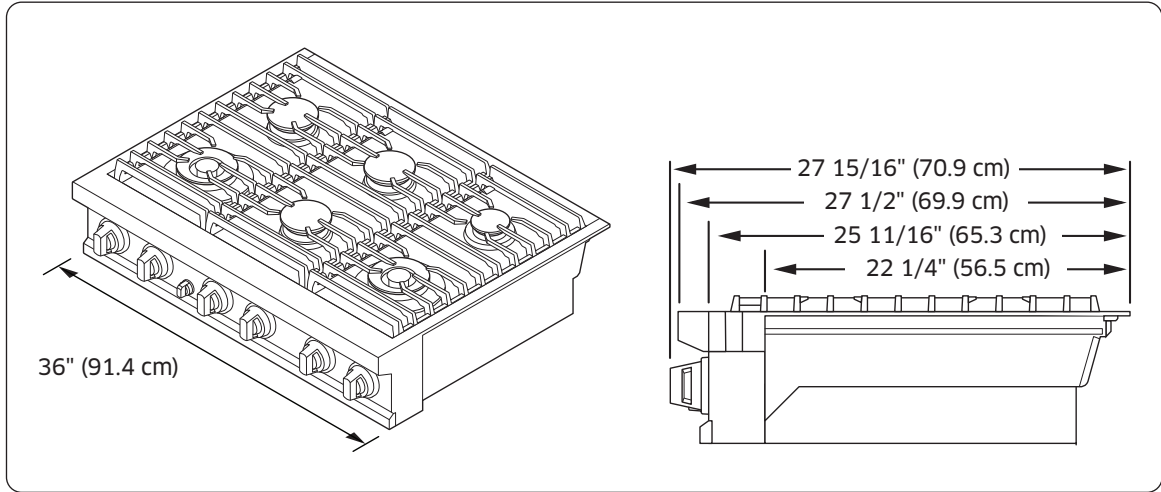
NOTA

Deben mantenerse todas las separaciones verticales con un mínimo de 18" (457 mm) por encima de la superficie de cocción.

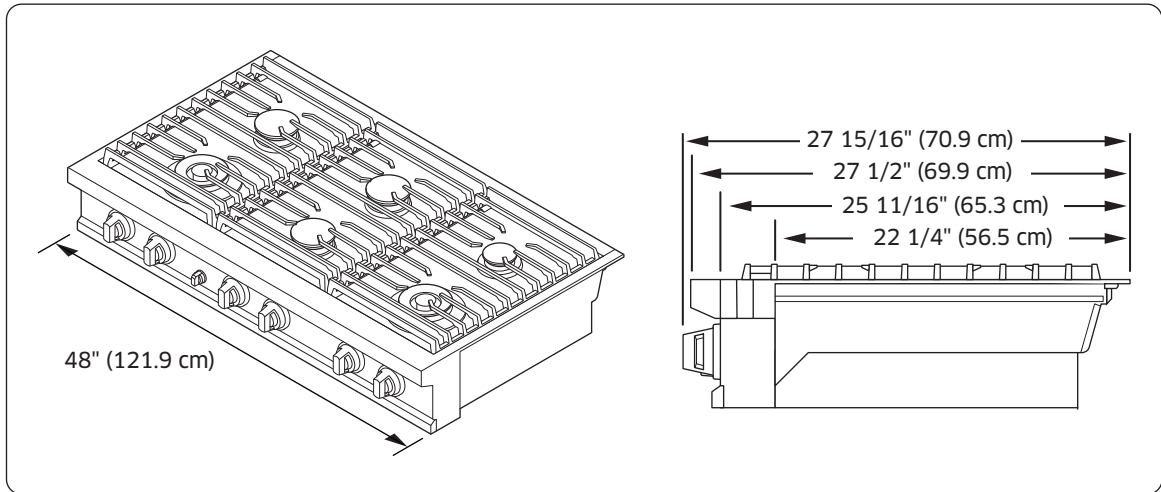
Requisitos de instalación

Dimensiones generales de la cubierta

DTT36T960

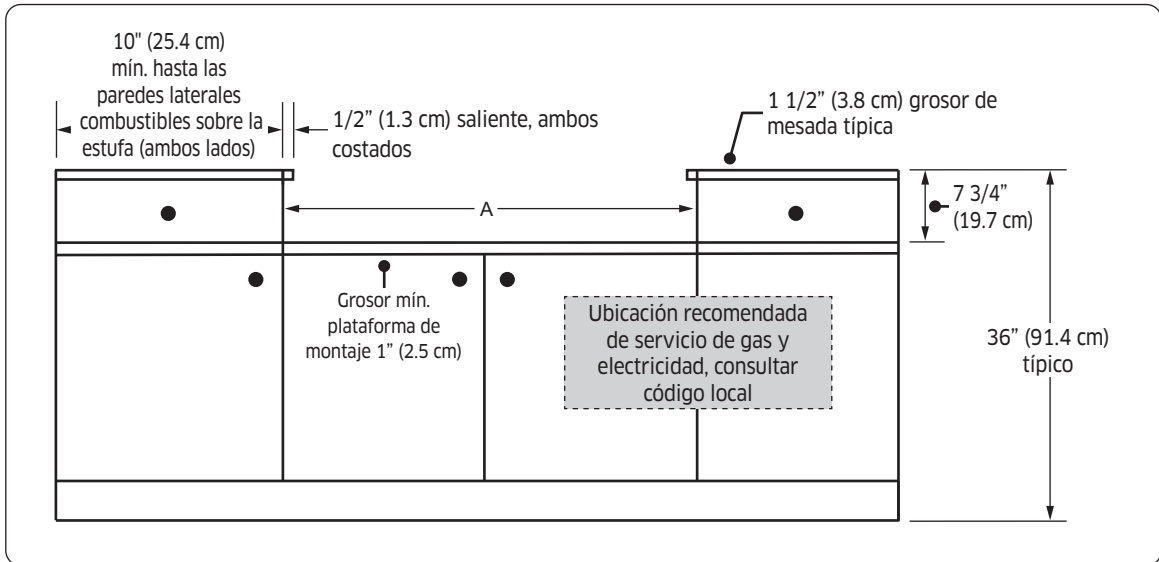


DTT48T960

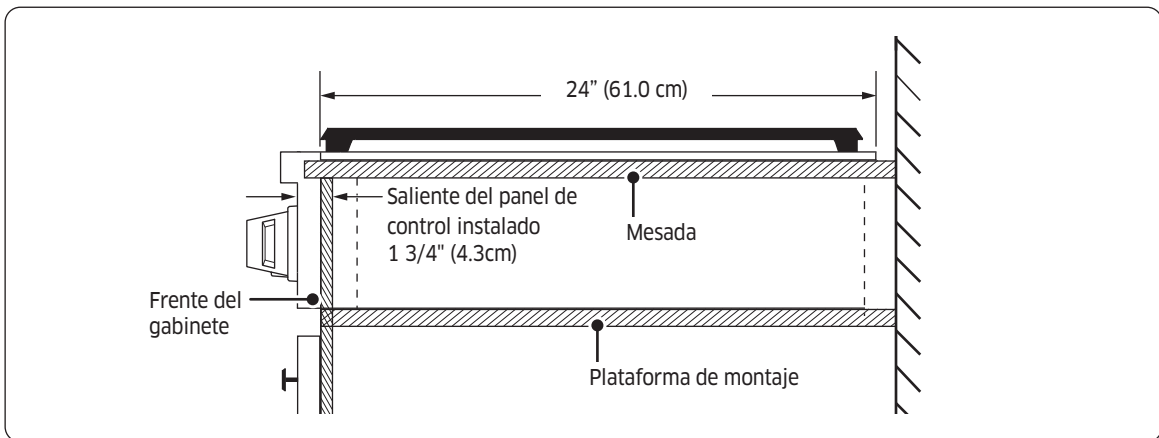


Dimensiones del recorte de la mesada

Dimensiones del gabinete/mesada - Vista frontal



Parrilla instalada - Vista lateral



PRECAUCIÓN

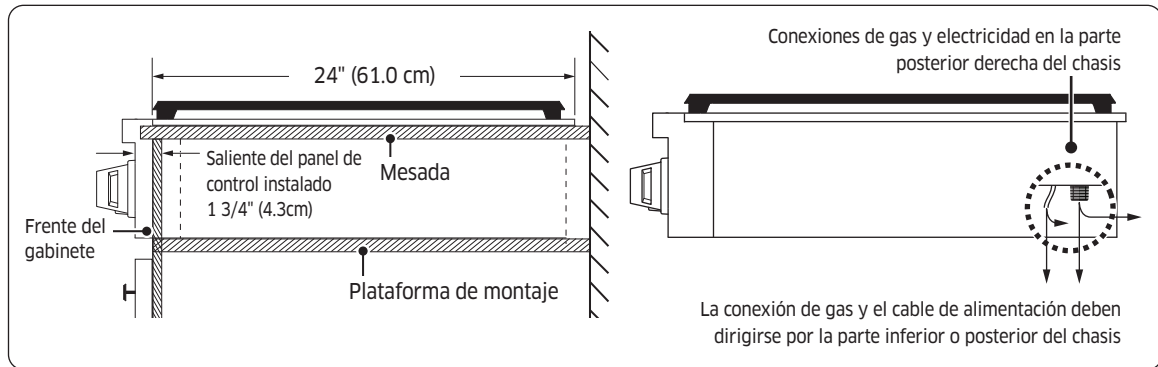
Para la instalación deben tenerse en cuenta las dimensiones del recorte. Ampliar las dimensiones del recorte puede resultar peligroso.

NOTA

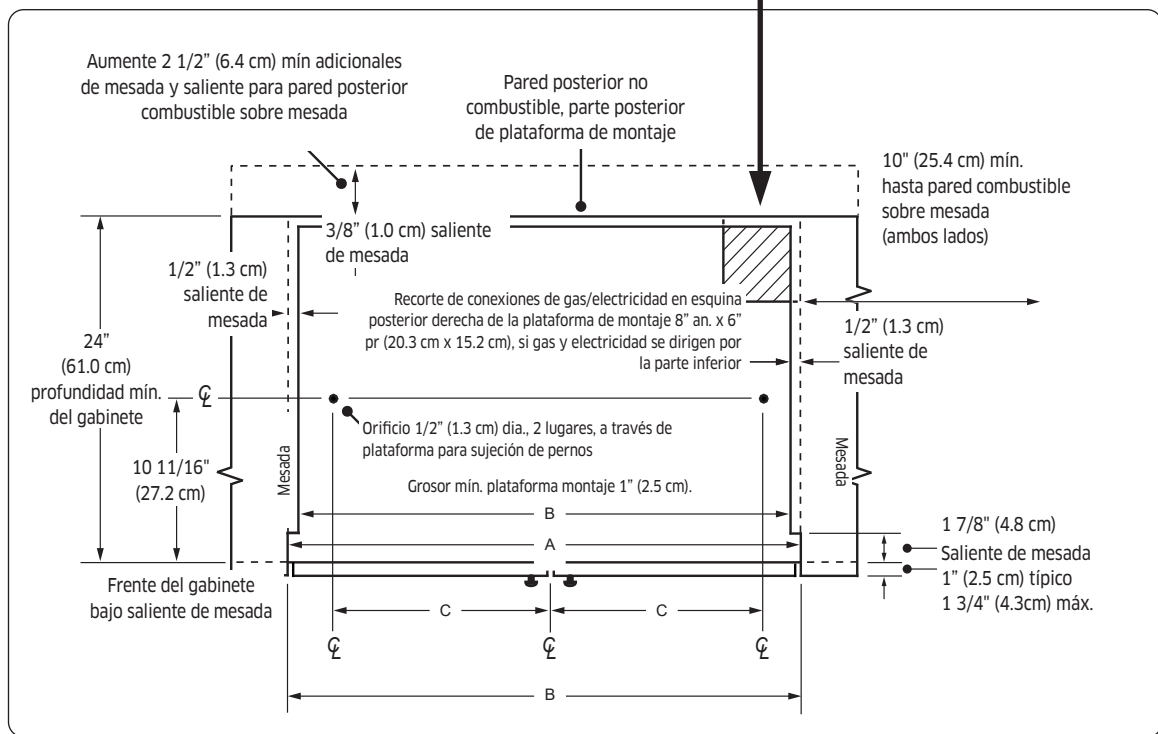
Tolerancias del gabinete +1/16" (+1.6 mm) -0 si no se especifica lo contrario.

Requisitos de instalación

Parrilla instalada - Vista lateral



Dimensiones del recorte del gabinete/ mesada sin ventilación de tiro descendente - Vista superior

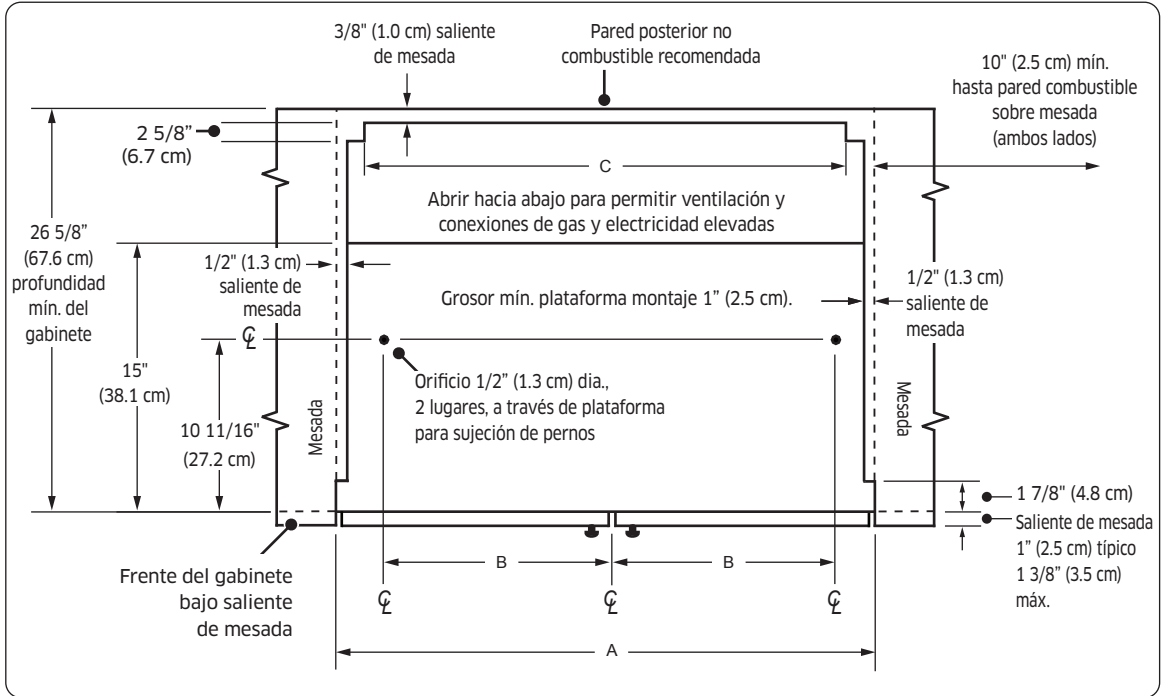


Modelo de parrilla	A	B	C
DTT36T960	36" (91.4 cm)	35" (88.9 cm)	16 5/8" (42.2 cm)
DTT48T960	48" (121.9 cm)	47" (119.4 cm)	20 13/16" (52.9 cm)

NOTA

Las conexiones de gas y electricidad solo pueden dirigirse a través de la parte inferior de la parrilla cuando se instala con una ventilación de tiro descendente.

Dimensiones del recorte del gabinete/mesada con ventilación de tiro descendente - Vista superior

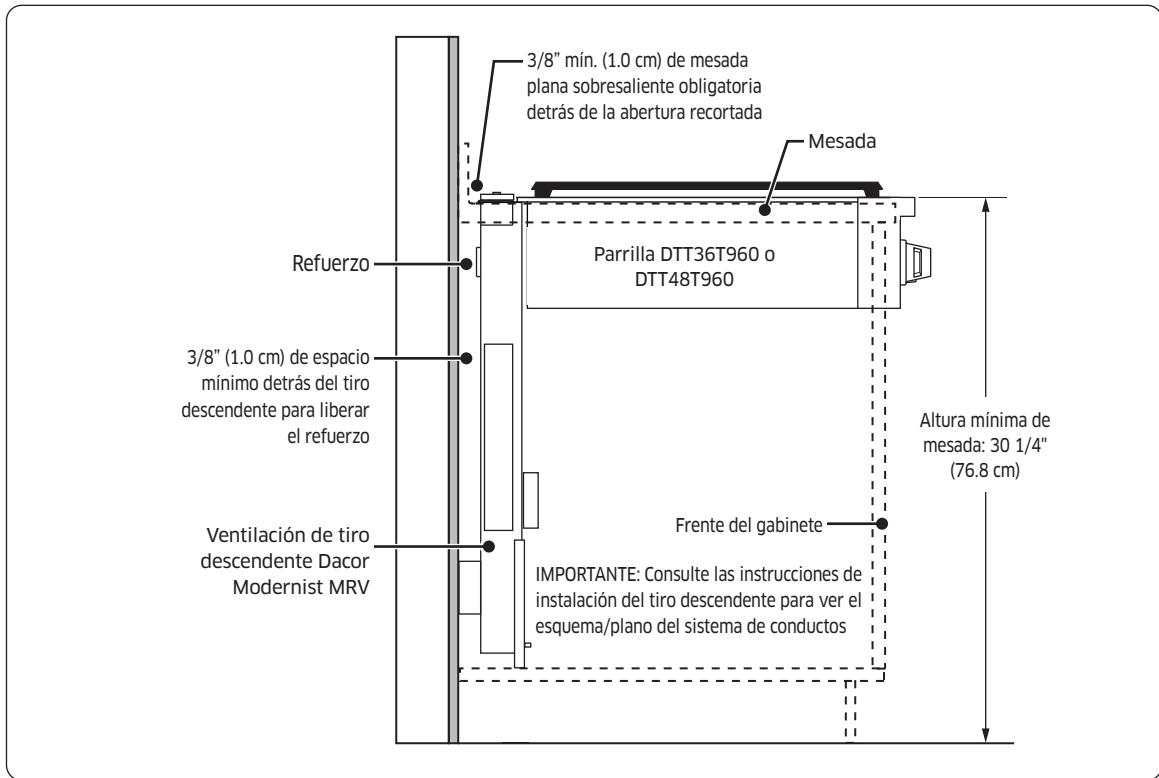


Modelo de parrilla	A - Ancho recorte	B - Compensación orificio	C - Recorte ventilación de tiro descendente	Modelos de ventilación de tiro descendente aprobados
DTT36T960	36" (91.4 cm)	16 5/8" (42.2 cm)	33 1/2" (85.1 cm)	ERV36, ERV3615, PRV36
DTT48T960	48" (121.9 cm)	20 13/16" (52.9 cm)	4 31/2" (110.5 cm)	ERV48, PRV48

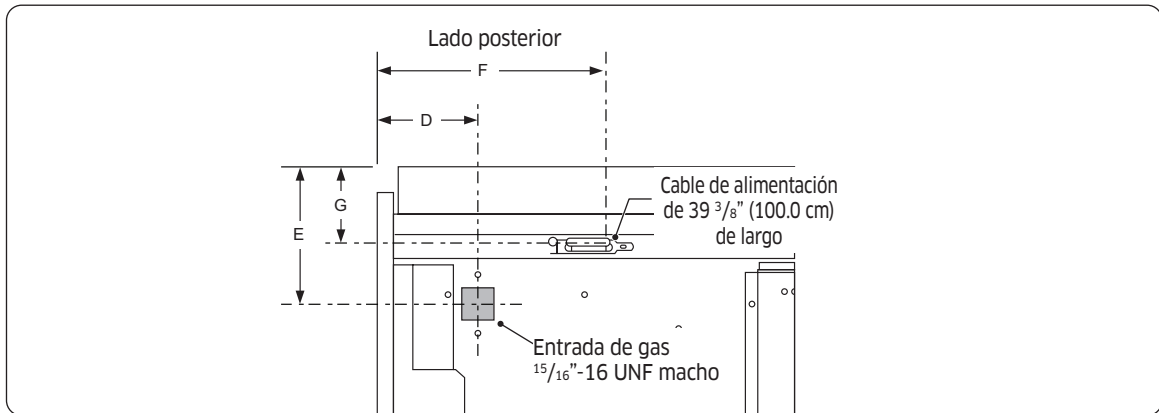
IMPORTANTE: Utilice solo los modelos de ventilación de tiro descendente especificados.

Requisitos de instalación

Gabinete/mesada con ventilación de tiro descendente - Vista lateral



Ubicación y dimensiones para las conexiones



Dimensiones	DTT36T960	DTT48T960
D	3 1/2" (8.9 cm)	4" (10.1 cm)
E	4 11/16" (11.9 cm)	4 11/16" (11.9 cm)
F	5 1/8" (13 cm)	19 3/4" (50.1cm)
G	2 11/16" (6.9 cm)	2 11/16" (6.9 cm)

Requisitos para el suministro de gas

Debe proveerse un suministro de gas adecuado

Este artefacto está diseñado para funcionar con una presión de colector de 5 pulgadas (13 cm) de columna de agua con gas natural o 10 pulgadas (25 cm) de columna de agua con gas LP (propano o butano).

Asegúrese de que el suministro de gas de su artefacto sea del tipo para el cual se ha diseñado. Al verificar si el regulador funciona correctamente, la presión de entrada debe ser al menos 1 pulgada (2.5 cm) mayor que la presión de funcionamiento (colector) tal como se da.

El regulador de presión situado en la entrada del colector del artefacto debe permanecer en la tubería de suministro independientemente de que se utilice gas natural o LP.

NOTA

- El artefacto con su propio regulador. Utilice únicamente el regulador provisto, que debe instalarse en la tubería de gas que se extiende desde la entrada de gas hasta la válvula de cierre del gas.
- Debe instalarse una válvula de cierre manual externa entre la entrada de gas y el artefacto con el fin de abrir o cerrar el paso de gas al electrodoméstico.
- Asegúrese de que los conectores sean instalados por un instalador calificado.
- Para los artefactos nuevos, nunca instale conectores usados que puedan perder gas y provocar lesiones. Utilice únicamente conectores nuevos y flexibles.

Requisitos especiales para el gas (modelos a gas vendidos en Massachusetts)

REQUISITOS DEL ESTADO DE MASSACHUSETTS:

ADVERTENCIA

- Pueden producirse pérdidas de gas en su sistema, lo que generaría una situación peligrosa.
 - Las pérdidas de gas pueden no ser detectadas únicamente por el olor.
 - Los proveedores de gas recomiendan instalar un detector de gas aprobado por UL de acuerdo con las especificaciones del fabricante.
- El artefacto debe ser instalado por un plomero o gasista certificado en el Estado de Massachusetts.
- DEBE instalarse una válvula de gas manual con manija en forma de "T" en el conducto de suministro de gas del artefacto.
- Si se utiliza un conector de gas flexible para instalar el artefacto, no deben conectarse varios conductos flexibles de gas en serie.

Requisitos de instalación

Requisitos eléctricos

ADVERTENCIA

- Es responsabilidad del propietario asegurarse de que el servicio eléctrico cumpla con los requisitos y que el tomacorriente haya sido correctamente instalado por un electricista autorizado.
- Para reducir el riesgo de incendios, descargas eléctricas o lesiones personales:

Todas las placas de cocción

- No utilice un cable prolongador ni un enchufe adaptador con este artefacto.
- Este electrodoméstico debe conectarse a tierra correctamente.
- Si no está seguro de que la conexión a tierra del artefacto esté correctamente realizada, consulte a un electricista calificado.
- No modifique el enchufe de alimentación. Si no se adapta al tomacorriente, un electricista calificado debe instalar uno adecuado.
- Todo el cableado y la conexión a tierra deben cumplir con los códigos locales o, en su ausencia, con la versión más reciente del Código eléctrico nacional ANSI/NFPA Nro. 70 (EE. UU.) o con la versión más reciente del Código eléctrico de Canadá CSA C22.1 y los códigos locales.
- El diagrama de cableado se adjunta dentro de la caja del quemador.
- El sistema de encendido electrónico del artefacto no funciona si el tomacorrientes no se encuentra adecuadamente polarizado.

Parrillas

- Todos los modelos a gas están equipados con un cable de alimentación que dispone de un conductor de conexión a tierra para el equipo y un enchufe de conexión a tierra.
- Todos los modelos a gas en EE.UU. y Canadá requieren un servicio eléctrico aprobado de 120 V, 60-Hz, CA, con un disyuntor de 20-amp o un fusible de retardo.

NOTA

El reencendido puede funcionar mal si el voltaje entre Neutro y Tierra es superior a 20 VCA. Asegúrese de que el voltaje sea inferior a 20 VCA.

Conexión a tierra

- Todas las parrillas deben contar con conexión a tierra por razones de seguridad personal.
- El enchufe debe enchufarse firmemente en un tomacorriente de tres clavijas que esté correctamente instalado y con conexión a tierra de acuerdo con los códigos locales. Después de un desperfecto o falla, la conexión a tierra disminuye el riesgo de descarga eléctrica al proporcionar una vía segura para la corriente.
- No utilice un cable de alimentación dañado ni un tomacorriente de pared flojo.
- No utilice un cable prolongador ni un adaptador con este electrodoméstico.
- Nunca corte, modifique, retire o de cualquier otro modo anule la (tercera) clavija de descarga a tierra del enchufe. Si el enchufe y el tomacorrientes no coinciden o si tiene dudas, solicite a un electricista calificado que verifique el tomacorrientes y el circuito a fin de garantizar que esté debidamente conectado a tierra e instale el tomacorrientes adecuado, si fuera necesario.
- NUNCA conecte el cable a tierra a cañerías de plástico, tuberías de gas o tuberías de agua.

PRECAUCIÓN

No cumplir con estas instrucciones puede provocar incendios, descargas eléctricas y la muerte.

Requisitos adicionales de instalación para casas rodantes

La instalación de los artefactos diseñados para casas rodantes debe cumplir con la Norma de construcción y seguridad de casas prefabricadas, Título 24 CFR, Parte 3280 (denominada anteriormente Norma federal para la construcción y la seguridad de casas rodantes, Título 24, HUD, Parte 280) o, cuando no corresponda su aplicación, la versión más reciente de la Norma para instalaciones en casas prefabricadas (lugares para casas prefabricadas, comunidades y armados), la versión más reciente de ANSI A225.1, o los códigos locales. En Canadá, la instalación en casas rodantes debe cumplir con el Código de instalación de casas rodantes CAN/CSA Z240/MH actual.

Instalación de la parrilla

IMPORTANTE: Lea detenidamente estas instrucciones y la sección Instrucciones importantes de seguridad al inicio del manual ANTES de instalar/utilizar la parrilla. La instalación, ajustes, servicio técnico o mantenimiento incorrectos pueden causar lesiones personales o daños a la propiedad.

 **NOTA**

A fin de garantizar la instalación adecuada, debe contratar un profesional calificado.

Desempaque de la parrilla

1. Quite todo el material de empaque. (No hacerlo puede dañar el electrodoméstico).
2. Haga un inventario de todas las piezas sueltas y compárelo con la lista de componentes provistos de la página 13.
3. Verifique que no haya daños provocados por el transporte e informe cualquier daño o piezas faltantes a su minorista local.

Instalación de la parrilla

1. Si el artefacto viniera con una ventilación de tiro descendente, primero instálela de acuerdo con las instrucciones de instalación.
2. Coloque el artefacto en la abertura y céntralo.
3. Asegure la parrilla a la mesada utilizando los dos soportes de sujeción a presión.

Instrucciones de instalación

Conexión del suministro de gas

1. Cierre la válvula principal de suministro de gas antes de desconectar la parrilla vieja.
2. Complete la conexión de gas.
3. Abra la válvula de gas y encienda los quemadores nuevamente en cualquier otro artefacto a gas.



NOTA

Debido a que las tuberías rígidas limitan el movimiento del artefacto, se recomienda el uso de un conector flexible de metal certificado por CSA International a menos que los códigos locales exijan una conexión con tuberías rígidas.



ADVERTENCIA

Cumpla con la información de este manual al pie de la letra a fin de evitar incendios o explosiones que puedan provocar daños a la propiedad, lesiones personales o muerte.

- No almacene ni utilice gasolina u otros productos inflamables cerca del artefacto.
- SI HAY OLOR A GAS:
 - NO encienda cerillos, velas ni cigarrillos.
 - NO intente encender ningún artefacto.
 - NO toque ningún interruptor eléctrico.
 - NO utilice ningún teléfono dentro del edificio.
 - Haga salir a todos los ocupantes de la habitación, el edificio o el área.
 - Llame inmediatamente al proveedor de gas desde el teléfono de un vecino. Siga las instrucciones del proveedor de gas.
 - Si no puede comunicarse con el proveedor de gas, llame al departamento de bomberos.
- La instalación y el servicio técnico deben ser realizados por un instalador calificado, agencias de servicio técnico o el proveedor de gas.
- Asegúrese de instalar el regulador de gas incluido con el artefacto. No utilice el artefacto sin el regulador instalado.
- Asegúrese de que la flecha del regulador apunte hacia el artefacto.
- No ajuste excesivamente las conexiones y accesorios de gas.
- Antes del uso, verifique las tuberías de gas a fin de detectar fugas de acuerdo con las instrucciones. No utilice una llama para verificar si hay pérdidas.

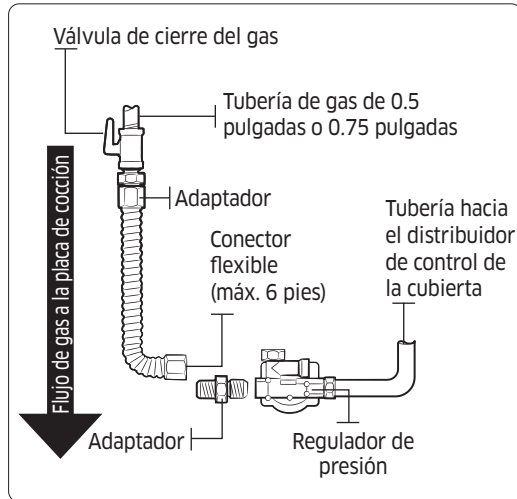
Nunca instale un conector viejo en un artefacto nuevo. Para las tuberías rígidas, debe alinear cuidadosamente la tubería; el artefacto no podrá moverse luego de realizar la conexión.

Para evitar fugas de gas, aplique compuesto para unión de tuberías o una envoltura de cinta de teflón en todas las roscas macho (externas).

1. Coloque el regulador de presión de gas provisto en la entrada de la boquilla roscada de la parrilla. Para las instalaciones ajustadas, el regulador puede instalarse de forma ascendente desde la boquilla roscada, en cualquier lugar entre la válvula de cierre y la parrilla. Para obtener el mejor rendimiento, minimice la pérdida de presión del gas conectando el regulador lo más cerca posible a la entrada de gas.
2. Complete la conexión del suministro de gas a la placa de cocción mediante la instalación de una tubería de gas flexible entre el regulador de presión y la válvula de cierre.

Conexión con conectores flexibles

Instalador: informe la ubicación de la válvula de cierre de gas al consumidor.



NOTA

La válvula de cierre de gas debe instalarse en la tubería de gas, alejada del electrodoméstico, en un lugar de fácil acceso para una apertura/cierre rápido.

Verificación de pérdidas de gas

ADVERTENCIA

A fin de evitar el riesgo de explosión/incendio que puedan genera lesiones personales o la muerte, NO utilice una llama para verificar la presencia de pérdidas de gas. Cuando se utilicen presiones de prueba superiores a 1/2 PSIG (libras por pulgada cuadrada manométrica) para realizar la prueba de la presión del sistema de suministro de gas de la residencia, desconecte el artefacto y la válvula de cierre individual de la tubería de suministro de gas. Cuando se utilicen presiones de 1/2 PSIG (libras por pulgada cuadrada manométrica) o menos para realizar la prueba del sistema de suministro de gas, cierre la válvula de cierre individual para aislar la parrilla del sistema de suministro de gas.

1. Cuando se hayan realizado todas las conexiones, asegúrese de que todos los controles de la parrilla estén en la posición de apagado y abra la válvula principal de suministro de gas.
2. Utilice un detector de fugas líquido en todas las juntas y conexiones para verificar que no haya pérdidas en el sistema.
3. Ajuste todas las conexiones si es necesario para evitar las fugas de gas en la parrilla o la tubería de suministro.

Realizar la conexión eléctrica

ADVERTENCIA

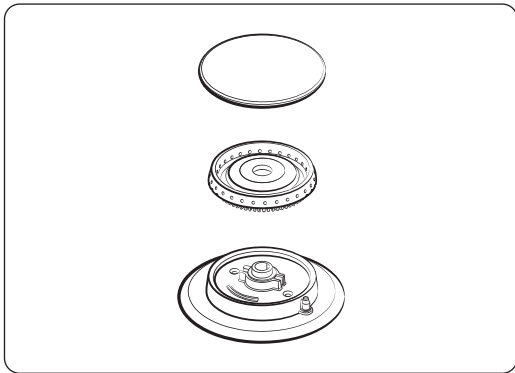
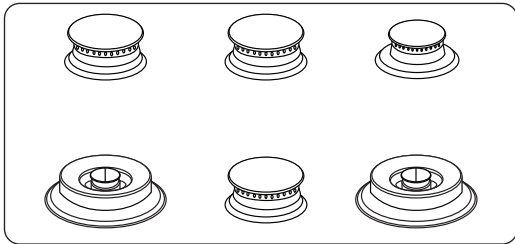
- Desconecte toda la alimentación eléctrica de la caja principal del disyuntor o los fusibles antes de hacer cualquier conexión eléctrica.
 - ANTES de realizar cualquier operación o prueba, siga los requisitos de conexión a tierra de la página 22 de este manual. La conexión inadecuada de la clavija de conexión a tierra constituye un riesgo de descarga eléctrica.
 - Todos los artefactos a gas vienen con un cable de alimentación eléctrica conectado a la parte posterior del chasis de la parrilla. (Para obtener más detalles, consulte "Requisitos eléctricos," página 21.)
 - El sistema eléctrico, incluso el cable de alimentación, viene instalado y cableado de fábrica. Modificar cualquier parte de este sistema puede provocar un cortocircuito o una sobrecarga.
1. Enchufe el cable de alimentación. (Asegúrese de que el enchufe cumpla con todos los códigos eléctricos correspondientes. (Para obtener más detalles, consulte la página 21.)
 2. Verifique la tubería de suministro de gas para comprobar que no presenta daños y sigue conectada después de colocarla en posición.

Instrucciones de instalación

Ensamble de los quemadores de la parrilla

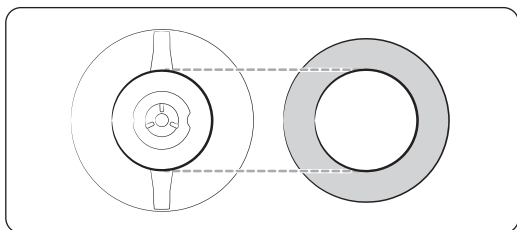
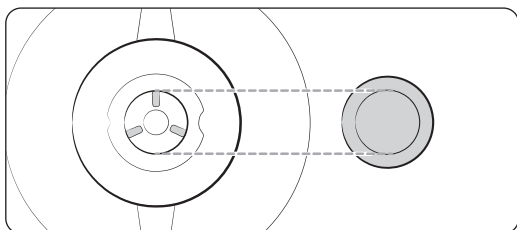
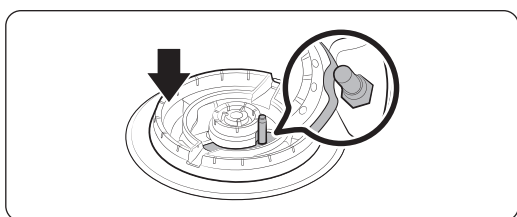
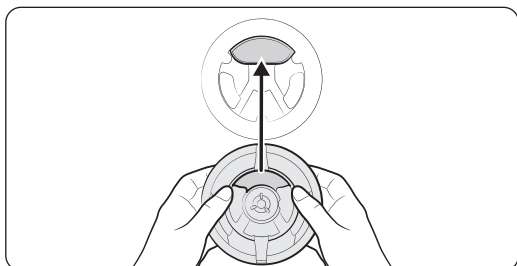
PRECAUCIÓN

- No opere los quemadores de la parrilla si no están todas las piezas en su lugar.
- No empuje hacia adentro ninguno de los controles de la parrilla al retirarla; puede provocar una leve descarga eléctrica que a su vez pueda hacer que deje caer recipientes calientes.
- No se arriesgue a sufrir una descarga eléctrica al quitar la parte superior o tocar el electrodo de ningún quemador mientras otro está encendido.



1. Coloque los cabezales de los quemadores sobre sus bases como se muestra a la izquierda. (Los electrodos entrarán en la ranura que se encuentra en la parte inferior de los cabezales). Los cabezales deben quedar planos y paralelos a la parrilla.
2. Coloque las tapas con el tamaño correspondiente en la parte superior de cada cabezal de los quemadores de la parrilla.

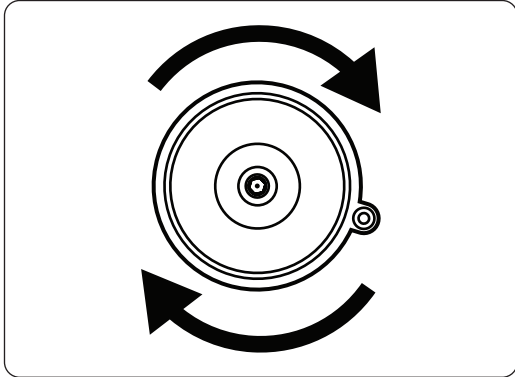
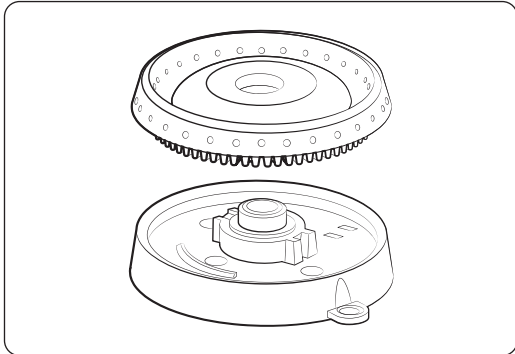
Cabezal/tapas del quemador doble



1. Oriente el cabezal del quemador de modo que la abertura para el electrodo y el electrodo queden alineados.
2. Instale el cabezal del quemador de modo que el electrodo pase por la abertura del cabezal. Asegúrese de que el cabezal del quemador quede plano en la parte superior de la estufa.
3. Vuelva a instalar las tapas de los quemadores por tamaño, luego instale las tapas en los quemadores.

Instrucciones de instalación

Cabezal/tapas del quemador redondo



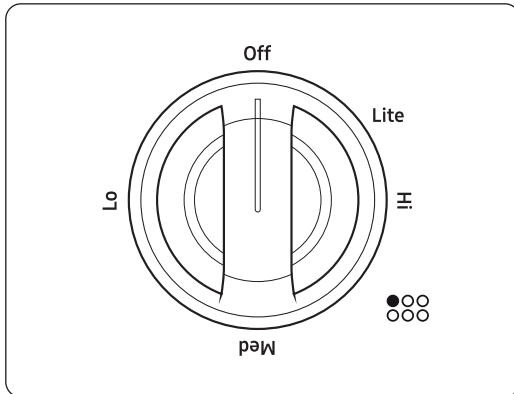
1. Coloque los cabezales de los quemadores sobre sus bases como se muestra a la izquierda. La parte inferior del cabezal encaja en la base del quemador.
2. Gire el cabezal hasta que encaje en su lugar. Haga girar cada cabezal ligeramente hacia adelante y hacia atrás para asegurarse de que esté bien asentado.
3. Coloque las tapas del quemador (bronce
4. o porcelana) sobre los cabezales del quemador. El arco que rodea el borde inferior de la tapa encaja con la parte superior del cabezal del quemador.

PRECAUCIÓN

Asegúrese de que todos los componentes del quemador (cabezales y tapas) queden planas y firmemente calzados en su posición.

Verificar el funcionamiento de los quemadores

Una vez que la placa de cocción esté completamente instalada, conectada, ensamblada y enchufada, verifique el funcionamiento de todos los quemadores.



Para encender un quemador

1. Empuje hacia adentro y gire la perilla de control de un quemador hasta el símbolo de la llama. (Un chasquido indica que el sistema de encendido electrónico funciona correctamente. El quemador se enciende unos 4 segundos más tarde, después de que se purga el aire de la tubería de gas).
2. Una vez encendido el quemador, gire la perilla de control hasta la posición deseada. (El chasquido se detiene y la altura de la llama pasa de HI (Alta) a LO (Baja) al girar la perilla hacia la izquierda).
3. Repita los pasos 1 y 2 para verificar el funcionamiento de cada quemador, uno tras otro.

NOTA

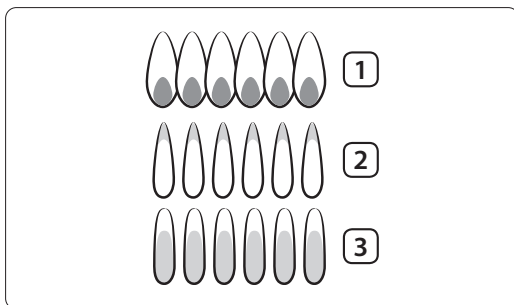
- Si el quemador no se enciende en 4 segundos, gire la perilla hasta la posición de apagado y espere un minuto antes de volver a intentarlo.
- La perilla para el comal no tiene símbolo de la llama. Gire hacia la derecha para encender el comal.

Verificación de la calidad de la llama

Es necesario verificar visualmente todas las llamas de los quemadores para determinar su calidad.

PRECAUCIÓN

Si desea medir la llama, tenga cuidado para evitar quemaduras.



1. **Llamas azules atenuadas**—Normal con gas natural.
2. **Puntas amarillas en los conos exteriores**—Normal con gas LP.
3. **Llamas amarillas**—No son normales para ningún tipo de gas; solicite servicio técnico.

NOTA

Si la llama del quemador es como la del ejemplo 3, llame al servicio técnico y no utilice la placa de cocción. Las llamas normales son como la del Ej. 1 o 2.

Instrucciones de instalación

Instalación de las rejillas

NOTA

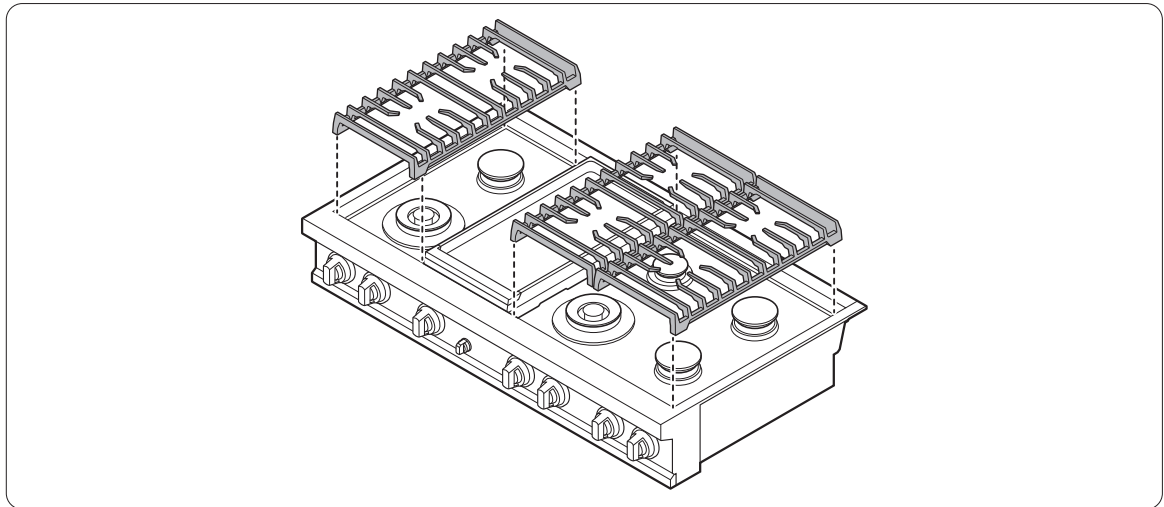
Para obtener unos mejores resultados y una mayor vida útil coloque las rejillas como se indica a continuación. Cuando están bien instaladas, las aberturas de las rejillas están centradas sobre los quemadores.

Las rejillas ocupan posiciones específicas en la parrilla. Para conseguir la máxima estabilidad y seguridad en la operación, estas rejillas solo deben utilizarse en sus posiciones correctas.

La parte posterior de la rejilla derecha tiene una muesca para ayudarle a orientar correctamente las rejillas. (Consulte el gráfico que aparece a continuación).

Para colocar las rejillas correctamente:

1. Busque la ranura en la parte posterior de la rejilla derecha y oriéntela adecuadamente sobre los quemadores derechos.
2. Baje suavemente la rejilla derecha de modo que sus patas queden colocadas en las hendiduras correspondientes de la placa de cocción.
3. Del mismo modo, coloque las rejillas restantes de manera que las patas queden sobre las hendiduras correspondientes.



NOTA

Las rejillas no son intercambiables. Cada rejilla lleva su propia marca debajo. Esta indica si se trata de la parte delantera de la rejilla y su posición correcta a la izquierda, en el centro o a la derecha.

Lista de verificación final de la instalación

ADVERTENCIA

- A fin de garantizar una instalación segura y adecuada, el instalador debe completar esta lista de verificación a fin de garantizar que la instalación fue adecuada y completa.
- El dueño será responsable de la instalación adecuada de la parrilla, cuya importancia es vital.

Después de instalar la parrilla, asegúrese de que todas las perillas de control estén en la posición OFF (Apagado). Revise esta lista de verificación a fin de confirmar que la parrilla se haya instalado correctamente y esté lista para funcionar.

- La tubería de gas se ha conectado correctamente a la parrilla.
- El suministro de gas está abierto.
- Se ha verificado que no haya pérdidas en todas las conexiones.
- La parrilla está enchufada adecuadamente a un enchufe con conexión a tierra.
- Los quemadores y las rejillas de la parrilla se han instalado correctamente.
- Todos los quemadores se han probado y funcionan adecuadamente.

NOTA

Para un posterior uso, guarde la etiqueta con el número de serie (que se encuentra en el lado derecho del producto) en el manual del usuario o en otro lugar de su preferencia.

Notas

Notas

dacor

dacor

Consignes d'Installation

Table de cuisson Contemporary

DTT48T960/DTT36T960



DG68-01476A-00

Table des Matières

Avant de Commencer	5
Important	5
Informations relatives au service client	6
Consignes de sécurité importantes	7
Informations de sécurité et d'avertissement	8
Caractéristiques techniques de l'appareil	13
Éléments de la boîte	13
Conditions d'installation	15
Liste de contrôle pour la pré-installation	15
Dimensions de la table de cuisson entière	16
Dimensions du découpage de l'emplacement de la table de cuisson dans le plan de travail	17
Exigences en matière d'alimentation en gaz	21
Exigences spéciales en matière d'alimentation en gaz (modèles au gaz vendus dans le Massachusetts)	21
Exigences en matière de raccordement électrique	22
Installation de votre table de cuisson	23



À nos chers clients :

Merci d'avoir acheté le tout dernier de nos produits Dacor® ! Notre combinaison unique de fonctionnalités, style et performances est à l'origine de notre slogan The Life of the Kitchen™ (La vie de la cuisine), et vous offre un vrai plus pour votre maison.

Pour vous familiariser avec les commandes, les fonctions et tout le potentiel de votre nouvel appareil Dacor, lisez attentivement ce manuel d'utilisation et d'entretien en commençant par le chapitre « **Avant de commencer** ».

Tous les appareils Dacor sont conçus et fabriqués avec le plus grand soin et la plus grande fierté, tout en travaillant dans le respect des valeurs de notre société. Si vous rencontrez un problème avec votre produit, veuillez vous reporter d'abord au chapitre « Dépannage » de ce manuel. Elle fournit des suggestions et des solutions qui peuvent être utiles avant d'appeler le service après-vente.

Les retours précieux de nos clients nous permettent d'améliorer en permanence nos produits et services. En conséquence, n'hésitez pas à contacter notre équipe du service après-vente pour obtenir de l'aide en cas de besoin d'assistance technique.

Équipe du service après-vente Dacor

USA

Samsung Electronics America, Inc.
85 Challenger Road
Ridgefield Park, NJ 07660

Canada

Samsung Electronics Canada Inc.
2050 Derry Road West, Mississauga,
Ontario L5N 0B9 Canada

Téléphone : 833-353-5483(USA), 844-509-4659(Canada)

Heures d'ouverture : Du lundi au vendredi de 8:00 A.M. à 8:00 P.M. (heure normale du Pacifique)

Site Internet : www.dacor.com

Merci d'avoir choisi Dacor pour votre maison. Nous sommes une société créée par des familles pour les familles et notre mission est d'être à votre service. Nous espérons que votre nouveau produit Dacor vous offrira un niveau de performances et de satisfaction optimal pendant de longues années.

Cordialement,

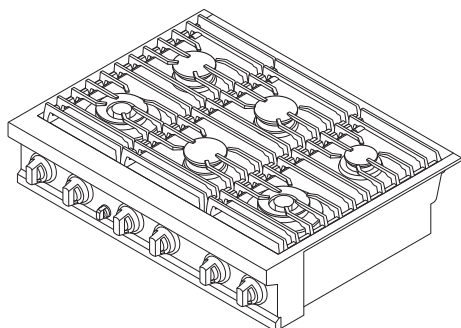
The Dacor Customer Service Team

AVERTISSEMENT : le non-respect des consignes décrites dans ce manuel peut entraîner un incendie ou une explosion ainsi que des dommages matériels, des blessures, voire la mort.

- **NE LAISSEZ** en aucun cas d'essence ou d'autres produits inflammables à proximité de cet appareil.
- **SI VOUS SENTEZ UNE ODEUR DE GAZ** :
 - **N'ALLUMEZ PAS** un appareil quel qu'il soit.
 - **NE TOUCHEZ PAS** de commutateur électrique.
 - **N'UTILISEZ PAS** de téléphone dans votre immeuble.
 - Appelez immédiatement votre fournisseur de gaz avec le téléphone d'un voisin et suivez les instructions de votre fournisseur. (Si vous ne parvenez pas à joindre votre fournisseur de gaz, appelez les pompiers.)
- L'installation et l'entretien doivent être effectués par un installateur qualifié, une agence de maintenance ou votre fournisseur de gaz.

Avant de Commencer

Important



L'aspect global et/ou les accessoires peuvent varier selon les modèles.

A propos de ce manuel

LISEZ ENTIÈREMENT ET ATTENTIVEMENT CES INSTRUCTIONS.

Remarque importante destinée à l'installateur

- Lisez l'intégralité des consignes d'installation avant d'installer l'appareil.
- Retirez tous les éléments d'emballage des compartiments de l'appareil avant de raccorder l'appareil à l'alimentation électrique et à l'arrivée de gaz.
- Respectez tous les codes et règlements en vigueur.
- Assurez-vous de laisser ces instructions à l'utilisateur.
- L'installation de cet appareil nécessite des connaissances mécaniques de base.
- Il incombe à l'installateur de poser correctement l'appareil.
- Tout dysfonctionnement imputable à une mauvaise installation n'est pas couvert par la garantie.

Remarque importante destinée à l'utilisateur

Conservez ces instructions avec votre manuel d'utilisation pour une référence ultérieure.

- Comme pour tout appareil générant de la chaleur, certaines consignes de sécurité sont à respecter.
- Assurez-vous que votre appareil est correctement installé et mis à la terre par un installateur qualifié ou un technicien spécialisé.
- Assurez-vous que les revêtements muraux situés à proximité de la table de cuisson peuvent résister à la chaleur générée par l'appareil.
- La distance du meuble de rangement situé au-dessus des brûleurs de la table de cuisson doit être au minimum de 30 po (76,2 cm).

Remarque importante destinée au prestataire

Le schéma électrique est attaché à l'intérieur du boîtier des brûleurs.

Installation

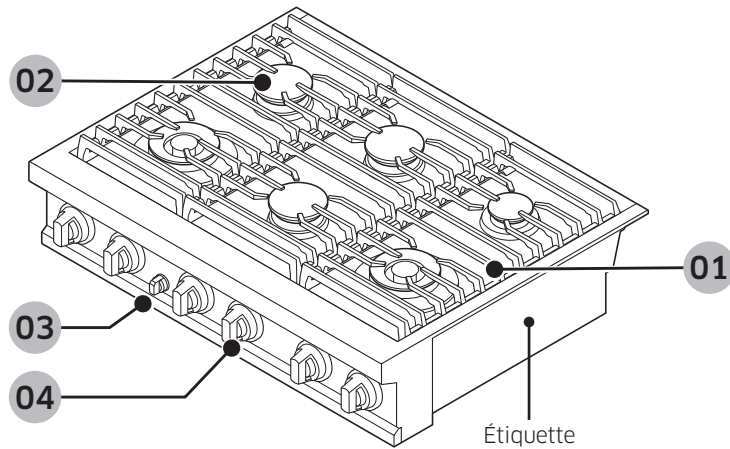
- Pour des raisons de sécurité et réduire l'apparition de problèmes, lisez attentivement ce manuel avant de procéder à l'installation de votre appareil. Ce manuel doit être en possession de l'utilisateur de l'appareil.
- Inscrivez le numéro de série/modèle de l'appareil sur le manuel à des fins de référence pour les opérations de service/maintenance.

Personnalisé

- Conservez ce manuel pour référence personnelle et pour celle des inspecteurs, personnel de service, etc.

Informations relatives au service client

Pour toute question ou si vous rencontrez des problèmes lors de l'installation, prenez contact avec votre revendeur Dacor ou avec l'équipe du service après-vente Dacor. Pour les réparations sur des appareils Dacor sous garantie, appelez le numéro du Service exclusif de Dacor. Dès lors que vous appelez, assurez-vous d'avoir le numéro du modèle et le numéro de série de l'appareil à porter de main. Le numéro du modèle et le numéro de série figurent sur une étiquette.



Service client Dacor

Téléphone : 833-353-5483 (USA), 844-509-4659(Canada)

Du lundi au vendredi de 8 h 00 à 20 h 00 heure du Pacifique

Site Web : www.dacor.com

Service exclusif de Dacor (uniquement pour les réparations sous garantie)

Téléphone : 833-353-5483(USA), 844-509-4659(Canada)

Du lundi au vendredi de 8 h 00 à 20 h 00 heure du Pacifique

Consignes de sécurité importantes

LISEZ TOUTES LES CONSIGNES DE SÉCURITÉ AVANT D'UTILISER CET APPAREIL

- Les appareils électriques et au gaz comportant des pièces mobiles présentent un danger. Les consignes importantes de sécurité exposées dans ce manuel visent à minimiser le risque de dommages matériels, de blessures corporelles et de décès. Assurez-vous de les lire.
- Conservez le présent manuel à un endroit facile d'accès de sorte que vous puissiez vous y reporter dès que nécessaire.

Symboles utilisés dans ce manuel

AVERTISSEMENT

Risques ou manipulations dangereuses susceptibles d'entraîner des blessures graves, voire mortelles.

ATTENTION

Risques ou manipulations dangereuses susceptibles d'entraîner un choc électrique, des blessures physiques ou des dégâts matériels.

REMARQUE

Conseils et consignes utiles.

Les icônes et symboles d'avertissement ont pour objectif d'éviter les risques de dégâts matériels et de blessures corporelles. Suivez-les scrupuleusement.

Avertissement concernant la proposition 65 de l'État de la Californie (États-Unis uniquement)

AVERTISSEMENT : Cet appareil contient des produits chimiques connus de l'État de la Californie pour causer le cancer et des anomalies congénitales ou des effets nocifs sur la reproduction. Des appareils au gaz peuvent causer une exposition mineure aux substances répertoriées dans la Proposition 65 (y compris le benzène, le monoxyde de carbone, le formaldéhyde et la suie) qui sont principalement dégagées par une combustion incomplète du GPL ou du gaz naturel.

Commonwealth du Massachusetts

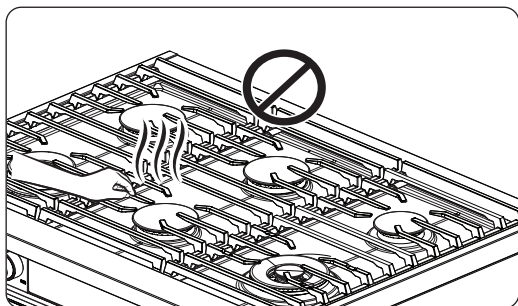
Cet appareil doit être installé par un plombier certifié ou un monteur d'installations au gaz qualifié ou certifié par l'État du Massachusetts. Lorsque des vannes à bille sont utilisées pour la fermeture du gaz, elles doivent être munies d'une poignée en T. Il ne faut pas connecter plusieurs canalisations de gaz flexibles en série.

Informations de sécurité et d'avertissement

Sécurité générale

▲ AVERTISSEMENT

Pour réduire le risque d'incendie, de choc électrique, de blessures graves voire mortelles, respectez les précautions suivantes :



- **Ne touchez** aucun(e) surface, composant ou mécanisme de l'appareil pendant ou juste après son utilisation.
- **Assurez-vous** de savoir où et comment couper la vanne qui alimente l'appareil en gaz.

- Vérifiez que les supports de maintien de la table de cuisson sont correctement installés. (Reportez-vous aux Consignes d'installation pour plus d'informations.)
- **Ne laissez pas les enfants s'asseoir/monter** sur l'appareil ou jouer avec l'une des pièces. Ne laissez jamais les enfants sans surveillance dans la cuisine lorsque l'appareil est en fonctionnement.
- **Retirez** tous les matériaux d'emballage avant d'utiliser l'appareil pour éviter qu'ils ne prennent feu. Tenez tous les matériaux d'emballage hors de la portée des enfants. Jetez correctement les matériaux d'emballage dès que l'appareil est déballé.
- **N'entrez pas** d'objets susceptibles d'éveiller l'intérêt des enfants sur ou autour de l'appareil.
- **Ne faites pas fonctionner** l'appareil s'il est endommagé d'une quelconque façon, s'il présente un dysfonctionnement ou s'il manque des pièces.
- **N'utilisez pas** l'appareil comme chauffage. Cet appareil ne doit être utilisé que pour la cuisson.
- Utilisez uniquement des maniques sèches.
- **N'utilisez pas** l'appareil pour chauffer des aliments contenus dans des récipients fermés.
- **Débranchez** l'appareil avant toute opération d'entretien/maintenance.
- Vous ne devez pas utiliser de rideau d'air ou une autre hotte d'aspiration suspendue (fonctionnant en soufflant un débit d'air vers le bas sur une cuisinière) conjointement à une cuisinière à gaz, sauf si la hotte et la cuisinière ont été conçues et testées conformément à la norme relative aux cuisinières domestiques à gaz, ANSI Z21.1 • CSA1.1, et répertoriées par un laboratoire de test indépendant pour une utilisation combinée.

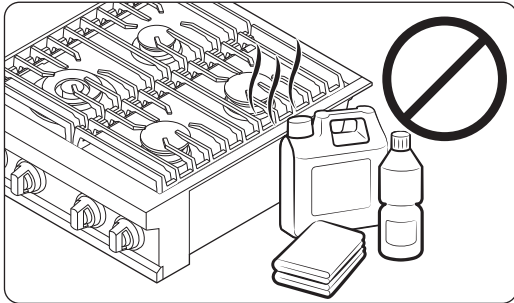
▲ AVERTISSEMENT

N'utilisez **JAMAIS** cet appareil en tant que chauffage intérieur pour chauffer une pièce. Le non-respect de cette consigne peut entraîner une intoxication au monoxyde de carbone et une surchauffe du four.

Sécurité incendie

⚠ AVERTISSEMENT

Pour réduire le risque d'incendie, de choc électrique, de blessures graves voire mortelles, respectez les précautions suivantes :



- **Ne stockez/placez/utilisez pas** de matières combustibles (p. ex. papier, plastique, maniques, tissus, essence, alcool) à proximité de l'appareil.
- **Ne portez jamais** de vêtements amples et des accessoires pendants lorsque vous utilisez cet appareil.

- Pour éviter l'accumulation de la graisse, **nettoyez régulièrement** les orifices de ventilation.
- **Ne laissez pas** de maniques ou autres matériaux inflammables toucher un élément chauffant. N'utilisez pas de serviette ou tout autre torchon volumineux comme manique.
- **N'arrosez pas** un incendie lié à la graisse avec de l'eau. Éteignez la source de chaleur et étouffez les flammes à l'aide d'un couvercle hermétique ou en utilisant un extincteur multifonction à poudre ou à mousse.
- **Ne faites pas chauffer** des aliments contenus dans des récipients fermés. L'accumulation de pression pourrait faire exploser les contenants et provoquer des blessures.

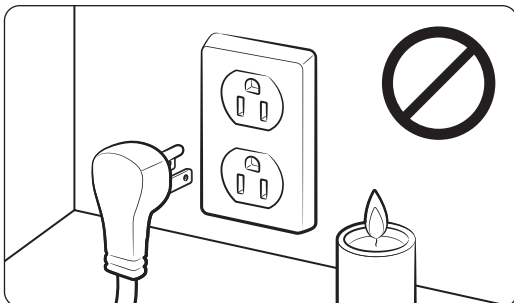
Sécurité liée au gaz

⚠ AVERTISSEMENT

Pour réduire le risque d'incendie, de choc électrique, de blessures graves voire mortelles, respectez les précautions suivantes :

Si vous sentez une odeur de gaz :

- **Fermez la vanne** et n'utilisez pas l'appareil.
- **N'allumez pas** d'allumette, de bougie ou de cigarette.
- **N'allumez aucun** appareil au gaz ou électrique.



- **Ne touchez pas** aux interrupteurs électriques ou aux prises d'un cordon d'alimentation.
- **N'utilisez pas** de téléphone dans votre immeuble.
- **Évacuez** toutes les personnes présentes dans le bâtiment.
- **Appelez immédiatement** votre fournisseur de gaz avec le téléphone d'un voisin. Suivez les instructions de votre fournisseur de gaz.
- Si vous ne parvenez pas à joindre votre fournisseur de gaz, appelez les pompiers.

Vérification des fuites de gaz

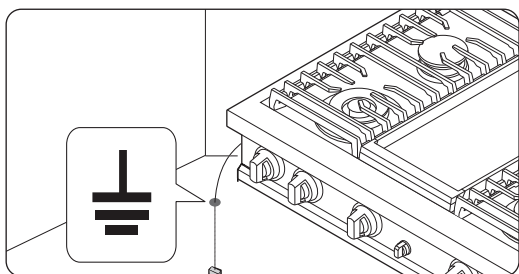
Un test de fuite de l'appareil doit être effectué selon les instructions du fabricant. N'utilisez pas de flamme pour vérifier s'il y a des fuites de gaz. Utilisez plutôt un pinceau pour étaler de l'eau savonneuse autour de l'endroit à vérifier. En présence d'une fuite de gaz, de petites bulles apparaîtront dans la solution.

Informations de sécurité et d'avertissement

Sécurité électrique et mise à la terre

▲ AVERTISSEMENT

Pour réduire le risque d'incendie, de choc électrique, de blessures graves voire mortelles, respectez les précautions suivantes :



- Branchez l'appareil sur une prise murale tripolaire reliée à la terre.
 - **Ne retirez pas** la broche de mise à la terre.
 - **N'utilisez pas** d'adaptateur ou de rallonge.
 - **N'utilisez jamais** une fiche ou un cordon d'alimentation endommagé(e) ou une prise d'alimentation mal fixée.
 - **N'altérez en aucun cas** la prise électrique, les fiches électriques ou le cordon d'alimentation.
-
- **Ne mettez pas** de fusible dans un circuit neutre ou de terre.
 - Utilisez un circuit électrique dédié de 120 V, 60 Hz, 15 A (CA) avec fusible pour cet appareil. Il est recommandé d'utiliser un fusible à retardement ou un disjoncteur. Ne branchez pas plusieurs appareils sur ce circuit.
 - **Ne branchez pas** le câble de mise à la terre sur des canalisations en plastique ou des conduites de gaz ou d'eau chaude.
 - Cet appareil **doit être relié à la terre**. En cas de dysfonctionnement ou de panne, la mise à la terre permet de réduire le risque d'électrocution en créant un chemin de sécurité pour le courant électrique. Le cordon d'alimentation de l'appareil est doté d'une fiche de mise à la terre qui doit être branchée dans une prise correctement installée et mise à la terre conformément aux réglementations locales. Si vous n'êtes pas sûr que la prise électrique soit correctement mise à la terre, consultez un électricien qualifié afin qu'il vérifie.
 - Si les normes permettent l'utilisation d'un câble de mise à la terre séparé, faites appel à un électricien qualifié afin qu'il détermine le chemin approprié pour ce câble.
 - L'installation électrique de l'appareil doit être conforme aux codes locaux ou, en l'absence de ceux-ci, avec le National Electrical Code (Code National Électrique) NFPA n° 70 - dernière édition (pour les États-Unis) ou avec le Canadian Electrical Code (Code Électrique Canadien) CSA C22.1 - dernière édition ou dernières révisions.
 - Le propriétaire de l'appareil doit s'assurer qu'une installation électrique appropriée alimente la table de cuisson.

Sécurité liée à l'installation

▲ AVERTISSEMENT

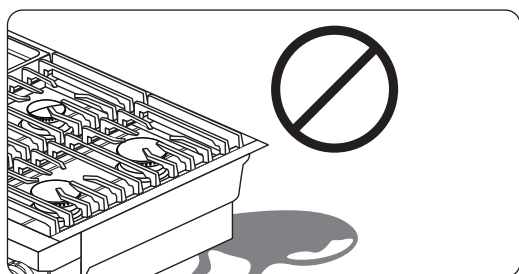
Pour réduire le risque d'incendie, de choc électrique, de blessures graves voire mortelles, respectez les précautions suivantes :

- L'appareil doit être correctement installé et mis à la terre par un **installateur qualifié**, conformément aux Consignes d'installation. Les ajustements et les réparations ne doivent être effectués que par un installateur qualifié d'appareils à gaz ou par un technicien qualifié.
- **Ne tentez pas** de réparer/modifier/remplacer les pièces de la cuisinière vous-même, sauf si le présent manuel vous y autorise. Toute autre réparation devra être effectuée par un technicien qualifié.
- Utilisez uniquement des connecteurs neufs et flexibles lorsque vous installez la cuisinière.
- **Vérifiez que** les supports de maintien de la table de cuisson sont correctement installés. (Reportez-vous aux **Consignes d'installation** pour plus d'informations.)
- **Retirez** toutes les bandes et les matériaux d'emballage.
- Après avoir déballé l'appareil, **retirez** tous les accessoires à l'intérieur ou autour de celui-ci. (Manipulez les grilles avec précaution.)
- **Assurez-vous** qu'aucune pièce ne se soit desserrée durant l'expédition.
- **Assurez-vous que** l'appareil est correctement installé et réglé par un installateur qualifié ou un technicien qualifié pour le type de gaz que vous allez utiliser (naturel ou GPL).
- L'installation de cet appareil doit être conforme aux codes locaux ou, en l'absence de codes locaux, au National Fuel Gas Code (Code national de gaz combustible), ANSI Z223.1/NFPA.54, dernière édition. Au Canada, l'installation doit être conforme au Natural Gas and Propane Installation Code (Code d'installation du gaz naturel et propane), CAN/CGA-B149.1, en vigueur, ou au Propane Installation Code (Code d'installation du propane), CAN/CGA-B149.2, en vigueur, ainsi qu'aux codes locaux qui s'appliquent. Cette table de cuisson a été certifiée par UL selon ANSI Z21.1/CSA 1.1, dernière édition.

Sécurité de l'emplacement

▲ AVERTISSEMENT

Pour réduire le risque d'incendie, de choc électrique, de blessures graves voire mortelles, respectez les précautions suivantes :



- Cet appareil est destiné à une utilisation domestique uniquement à l'intérieur. **N'installez pas** l'appareil à l'extérieur ou dans un endroit exposé au vent/pluie/courants d'air.

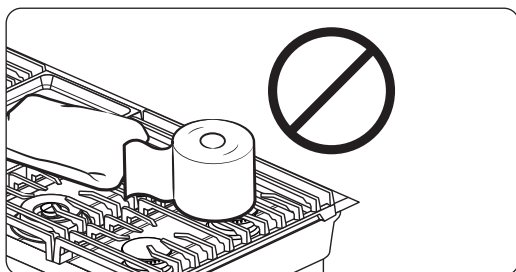
- L'appareil doit être installé à proximité d'une prise murale à 3 broches reliée à la terre.
- N'accrochez pas de stores en papier sur une fenêtre à proximité de la table de cuisson, ni de longs rideaux pouvant atteindre l'appareil en cas de courant d'air.
- Pour assurer une bonne ventilation, l'appareil a besoin d'un espace suffisant en dessous et tout autour du châssis. Les orifices de ventilation sur le châssis permettent d'évacuer la chaleur et les fumées de sorte que l'appareil puisse fonctionner correctement.
- **Assurez-vous que** les revêtements muraux situés à proximité de l'appareil peuvent résister à la chaleur générée par celui-ci, pouvant aller jusqu'à 194 °F (90 °C).
- Ne stockez pas d'objets au-dessus de l'appareil. Si un placard de rangement est nécessaire au-dessus de l'appareil, respectez un dégagement minimum de 30 pouces (76,2 cm) entre la surface de cuisson et le bas des placards.

Informations de sécurité et d'avertissement

Sécurité relative à la table de cuisson

▲ AVERTISSEMENT

Pour réduire le risque d'incendie, de choc électrique, de blessures graves voire mortelles, respectez les précautions suivantes :



- **Assurez-vous** que tous les brûleurs sont éteints lorsqu'ils ne sont pas utilisés.
 - **N'utilisez pas** de feuille d'aluminium pour revêtir les grilles ou toute autre partie de la table de cuisson.
 - **Ne laissez pas** les brûleurs sans surveillance lors de l'utilisation de réglages de chaleur moyenne ou élevée.
 - Préalablement à l'allumage, **assurez-vous** que tous les chapeaux de brûleurs sont correctement en place et que tous les brûleurs sont de niveau.
- Utilisez toujours la position LITE (ALLUMAGE) pour allumer un brûleur et assurez-vous que le brûleur s'est bien allumé. Si l'allumage échoue, tournez le bouton sur OFF (ARRÊT) et attendez quelques minutes que le gaz se dissipe.
 - Lorsque vous réglez un brûleur sur mijotage, **ne tournez pas** le bouton rapidement. Assurez-vous que la flamme reste allumée.
 - **Ne placez** aucun objet autre qu'un ustensile de cuisine sur la table de cuisson.
 - Avant de retirer ou de changer d'ustensile de cuisson, éteignez les brûleurs.
 - Retirez les aliments et les ustensiles de cuisson immédiatement après la cuisson.
 - Assurez-vous que tous les brûleurs de la table de cuisson sont éteints et que toutes les surfaces ont complètement refroidi avant de retirer les grilles et de démonter les brûleurs.
 - Après nettoyage de la tête du brûleur, **assurez-vous** qu'elle est complètement sèche avant de la réassembler.
 - Pour éviter l'empoisonnement par monoxyde de carbone, **ne versez pas** d'eau ou d'autres liquides sur la table de cuisson lors du nettoyage.
 - Sélectionnez des récipients conçus pour les tables de cuisson et assez grands pour couvrir les grilles. Les flammes des brûleurs ne doivent pas s'étendre au-delà du fond du récipient.
 - Pour éviter la décoloration des ustensiles, leur déformation et/ou l'empoisonnement par monoxyde de carbone, n'utilisez pas d'ustensiles beaucoup plus grands que la grille.
 - Orientez les poignées des ustensiles sur un côté ou vers l'arrière afin de ne pas les laisser au-dessus des brûleurs ou du rebord antérieur de la table de cuisson.
 - Pour éviter tout risque de brûlures par éclaboussures, tenez-vous à distance de sécurité lorsque vous faites frire des aliments.
 - Lorsque vous faites frire des aliments, faites toujours chauffer l'huile lentement et surveillez-la à mesure qu'elle chauffe. Lorsque vous faites frire des aliments à haute température, surveillez l'huile tout au long du processus de cuisson. Si vous combinez des graisses et des huiles pour friture, mélangez-les avant de les faire chauffer.
 - Utilisez un thermomètre à friture lorsque cela est possible afin d'éviter de chauffer l'huile au-delà de son point de fumée. (Assurez-vous de connaître le point de fumée de l'huile que vous utilisez.)
 - Utilisez toujours une quantité minimale d'huile pour tout type de friture. Faites toujours décongeler les aliments avant de les faire frire et ne faites pas frire des aliments qui sont trop froids ou présentant des morceaux de glace dessus.
 - Laissez toujours refroidir la graisse/l'huile jusqu'à la température ambiante dans le récipient avant de déplacer ce dernier.
 - Pour éviter toute projection bouillante à retardement, laissez reposer l'huile/la graisse chaude au moins 20 secondes après avoir éteint le brûleur, de sorte que la température se stabilise. En cas de brûlure, effectuez les gestes de premiers secours suivants :
 1. Immergez la zone brûlée dans de l'eau froide ou tiède pendant au moins 10 minutes ;
 2. N'appliquez aucune crème, huile ou lotion ;
 3. Recouvrez la zone brûlée d'un tissu propre et sec.

Caractéristiques techniques de l'appareil

Éléments de la boîte

Pièces fournies

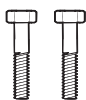
Tous modèles



Manual



Régulateur (1)*

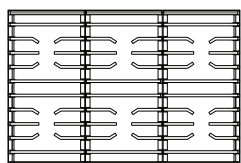


Boulon (2)

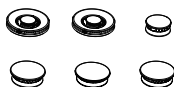


Rondelle (2)

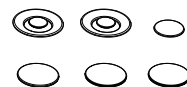
36" DTT36T960



Grilles des brûleurs de la table de cuisson (3)

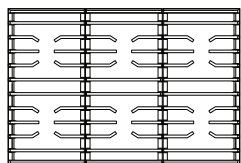


Têtes de brûleurs (6)
et chapeaux en laiton (8)

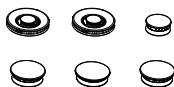


Chapeaux en porcelaine (8)

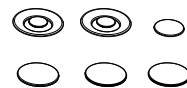
48" DTT48T960



Grilles des brûleurs de la table de cuisson (3)



Têtes de brûleurs (6)
et chapeaux en laiton (8)



Chapeaux en porcelaine (8)

REMARQUE

- Assurez-vous d'avoir reçu toutes les pièces fournies indiquées ci-dessus.
- Si votre table de cuisson a été endommagée lors de l'expédition ou si certaines pièces sont manquantes, contactez votre revendeur local. N'installez jamais une table de cuisson endommagée ou incomplète.
- Si vous souhaitez acheter un accessoire repéré par un astérisque (*), veuillez contacter le centre d'assistance DACOR en appelant au numéro de téléphone indiqué en dernière page du présent manuel. Vous pouvez également consulter notre site Web de pièces en ligne à l'adresse www.dacor.com.

Caractéristiques techniques de l'appareil

Éléments de la boîte, suite

Pièces requises



Vanne de coupure de gaz



Raccord d'appareil en métal flexible de diamètre intérieur de ½ po x 5 pi



Raccord union évasé ¾ po (NPT) x ½ po (diamètre intérieur)



Raccord union évasé ½ po (NPT) x ½ po (Diamètre intérieur)



Coude de 135 degrés (facultatif)



Coude de 90 degrés (facultatif)

Outils requis



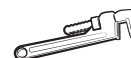
Tournevis à lame plate



Tournevis cruciforme



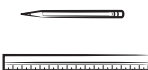
Clé à fourche ou clé à molette



Clé à tuyau (2)



Entraîneur pour écrou ¼"



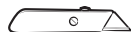
Crayon et règle



Niveau



Pâte à joint pour tuyau



Cutter



Solution d'eau savonneuse



Pince



Scie sauteuse

Conditions d'installation

Liste de contrôle pour la pré-installation

1. Avant de préparer l'ouverture dans le plan de travail, vérifiez l'absence de conflit entre le châssis de la table de cuisson et tout élément présent dans le meuble du dessous.
2. Retirez les matériaux d'emballage, les boîtes des grilles, le régulateur avec la documentation et l'emballage de la documentation de l'appareil et vérifiez que tous les éléments sont présents avant de commencer l'installation.

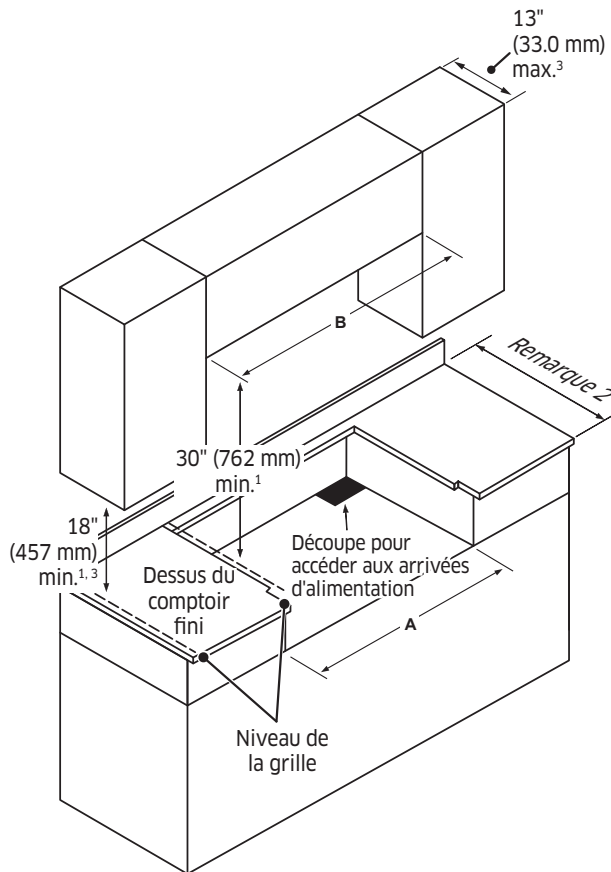
Conditions d'emplacement

AVANT DE COMMENCER l'installation de l'appareil, consultez les informations, dimensions et espaces ci-dessous. Ces dimensions doivent être respectées afin d'utiliser l'appareil en toute sécurité. L'emplacement de la prise électrique et des tuyaux du gaz peut être réglé afin de respecter les paramètres spécifiques.

ATTENTION

Cet appareil est conforme à la température maximale admissible des meubles en bois de 194 °F (90 °C). Assurez-vous que le revêtement mural, le plan de travail et les meubles à proximité peuvent également résister à cette température. Dans le cas contraire, des éléments peuvent se décolorer, se décoller ou fondre.

Respect des dimensions suivantes de dégagement minimal



1. Verticale jusqu'à la surface combustible par rapport au niveau de la grille de la table de cuisson ; en cas d'installation d'une hotte d'aspiration suspendue, vérifiez également les caractéristiques techniques de la hotte concernant les dégagements minimum requis.
2. Reportez-vous à la section Dimensions du meuble/plan de travail - Vue de dessus.
3. Ces caractéristiques techniques ne sont pas applicables aux meubles dont la distance horizontale par rapport au bord de la table de cuisson est supérieure à 10" (25,4 cm).

Table de cuisson	DTT36T960	DTT48T960
A	36" (91.44 cm)	48" (121.9 cm)
B	36" (91.44 cm)* 42" (106.7 cm)**	48" (121.9 cm)* 54" (137.2 cm)**

* Minimum

** Recommandé

A : Renforcement de la table de cuisson

B : Renforcement de la hotte d'aspiration

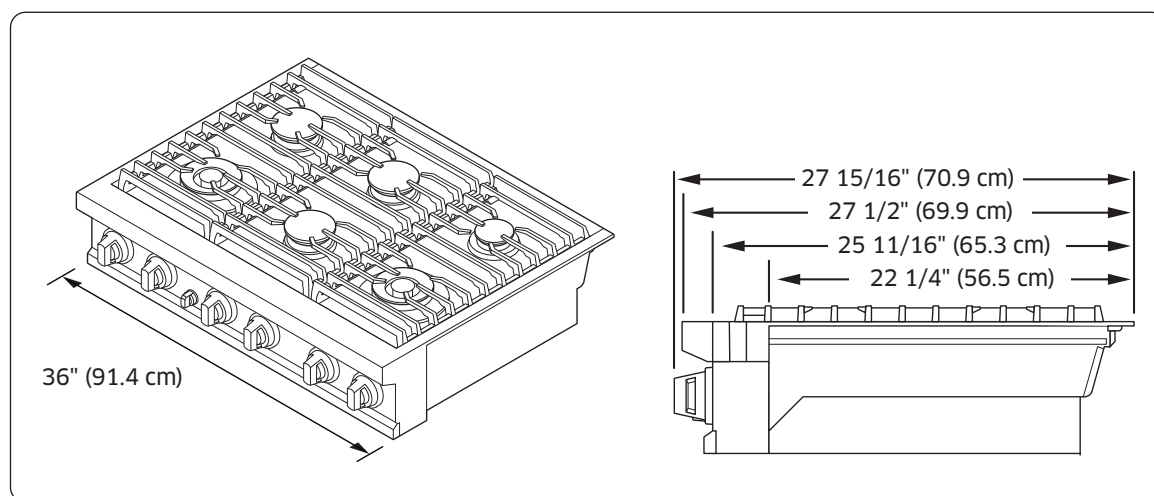
REMARQUE

Tous les dégagements verticaux doivent être respectés pour un minimum de 18" (457 mm) au-dessus de la surface de cuisson.

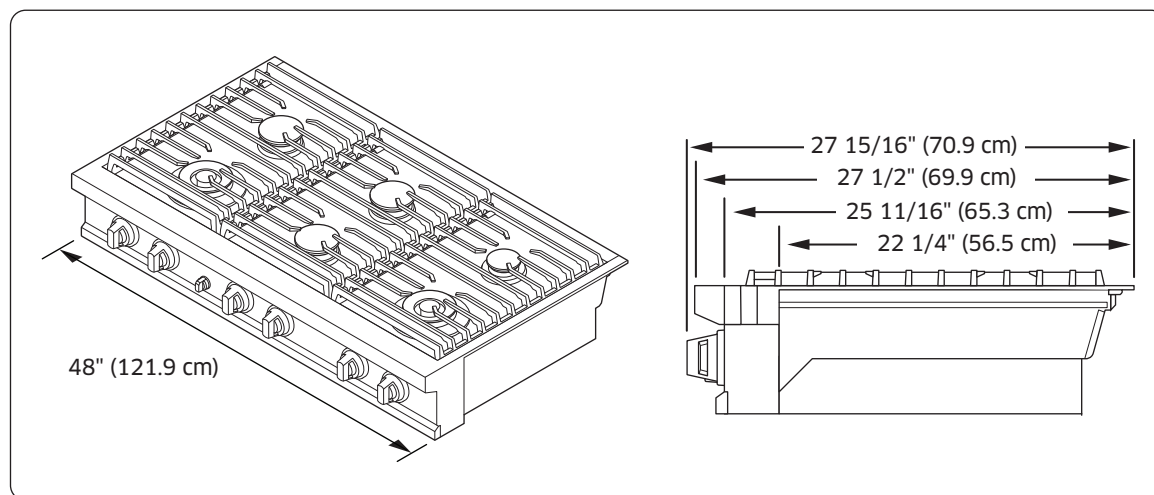
Conditions d'installation

Dimensions de la table de cuisson entière

DTT36T960

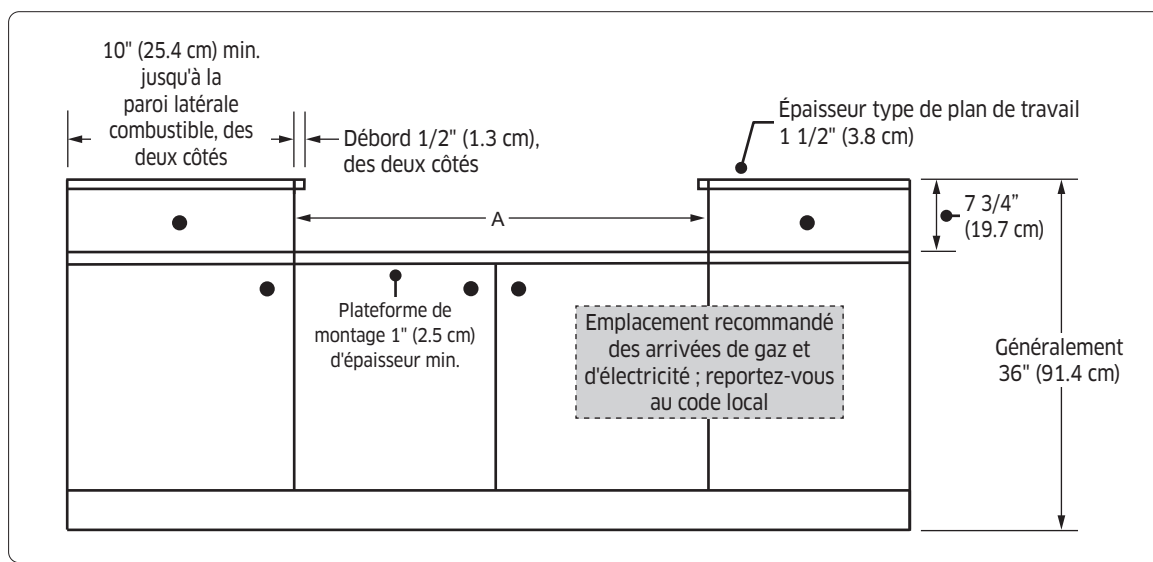


DTT48T960

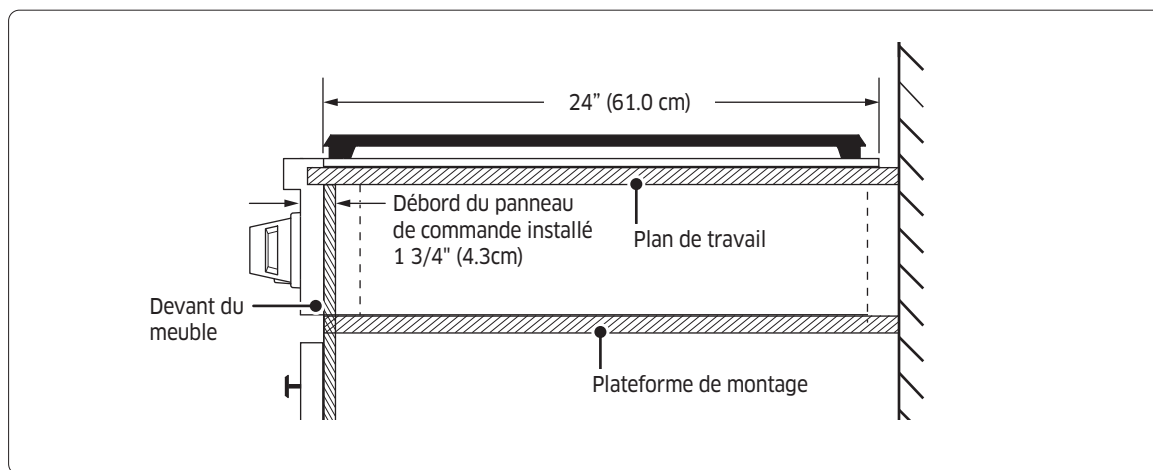


Dimensions du découpage de l'emplacement de la table de cuisson dans le plan de travail

Dimensions du meuble/plan de travail - Vue de devant



Parrilla instalada - Vista lateral



⚠ ATTENTION

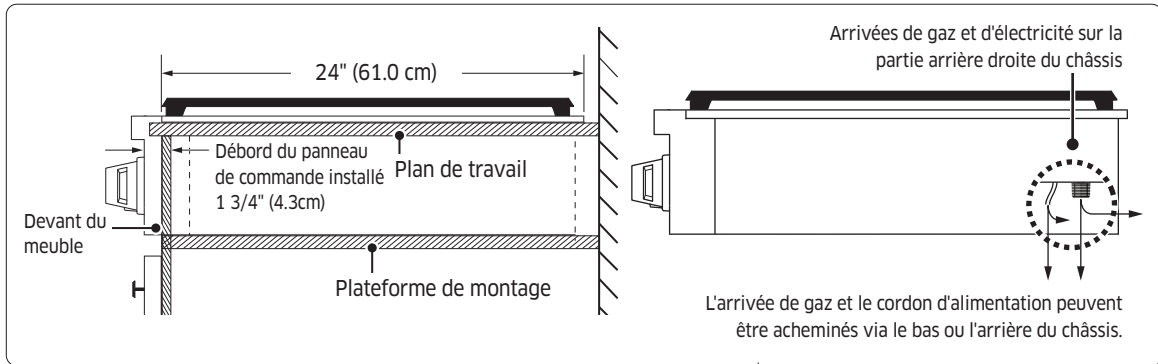
La dimension de découpe doit être respectée lors de l'installation. Une augmentation de la dimension de découpe risque de présenter un danger.

📄 REMARQUE

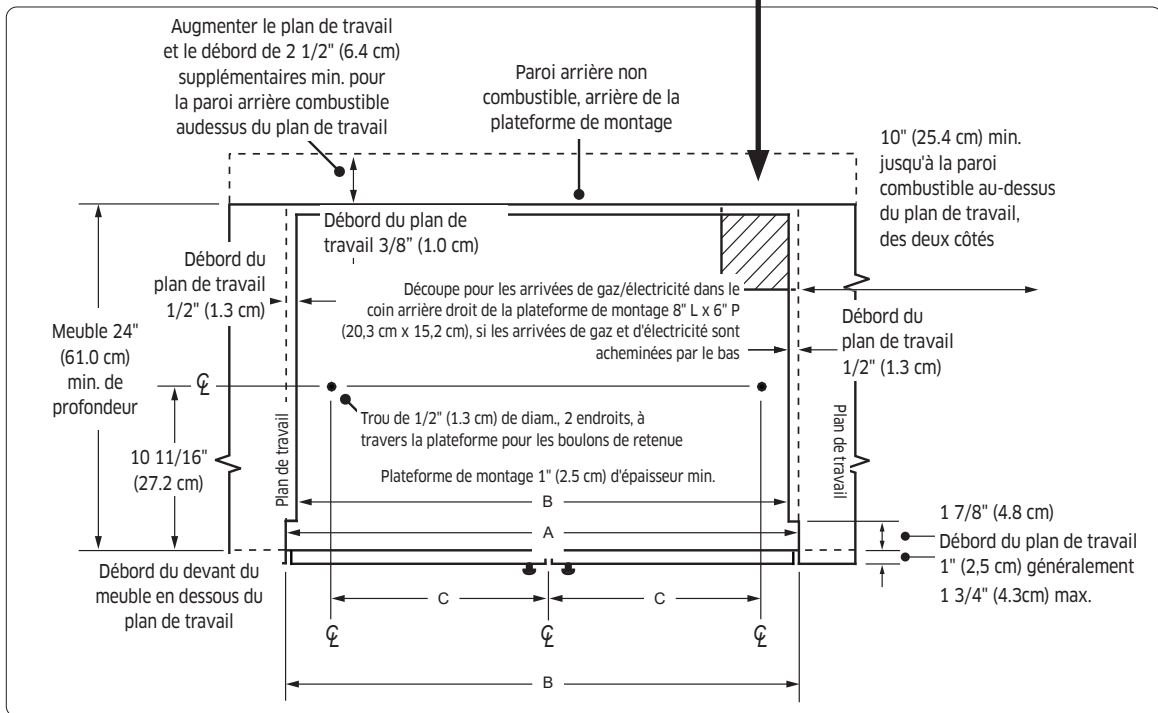
Tolérances du meuble +1/16" (+1,6 mm) -0 sauf indication contraire.

Conditions d'installation

Table de cuisson installée - Vue de côté



Dimensions de découpe du meuble/
plan de travail sans ventilation verticale - Vue de dessus

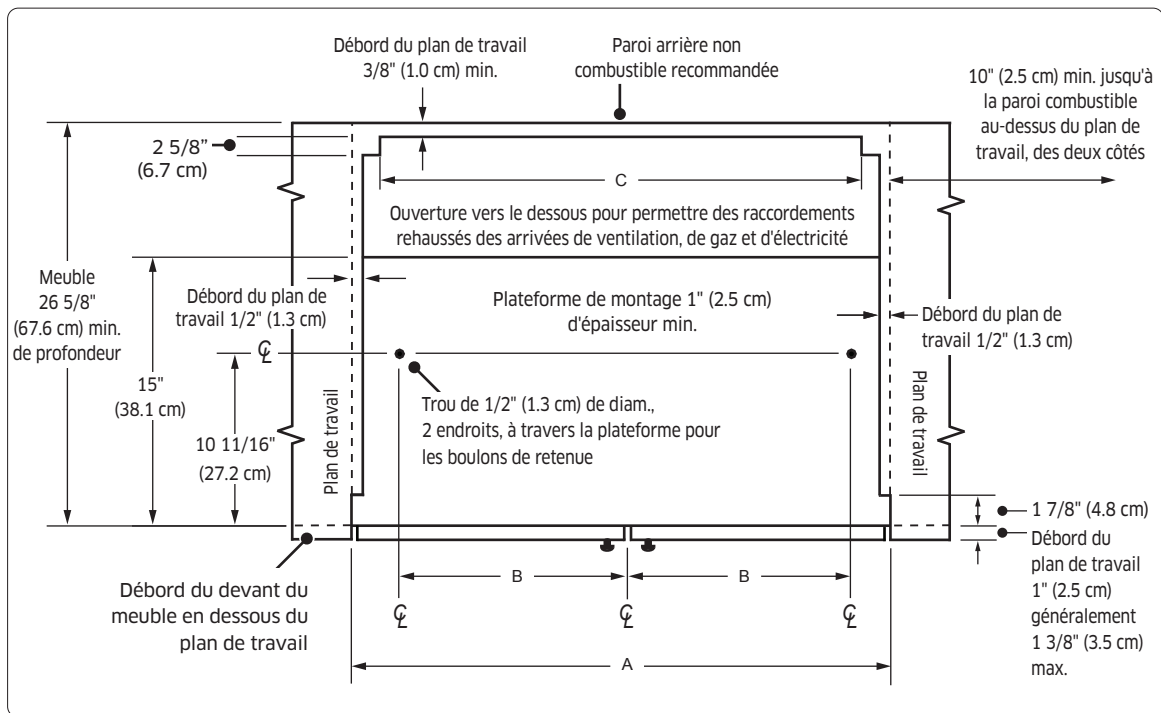


Modèle de table de cuisson	A	B	C
DTT36T960	36" (91.4 cm)	35" (88.9 cm)	16 5/8" (42.2 cm)
DTT48T960	48" (121.9 cm)	47" (119.4 cm)	20 13/16" (52.9 cm)

REMARQUE

Les raccordements au gaz et électrique ne peuvent être acheminés que via le bas de la table de cuisson en cas d'installation avec une ventilation verticale.

Dimensions de découpe du meuble/plan de travail avec ventilation verticale - Vue de dessus

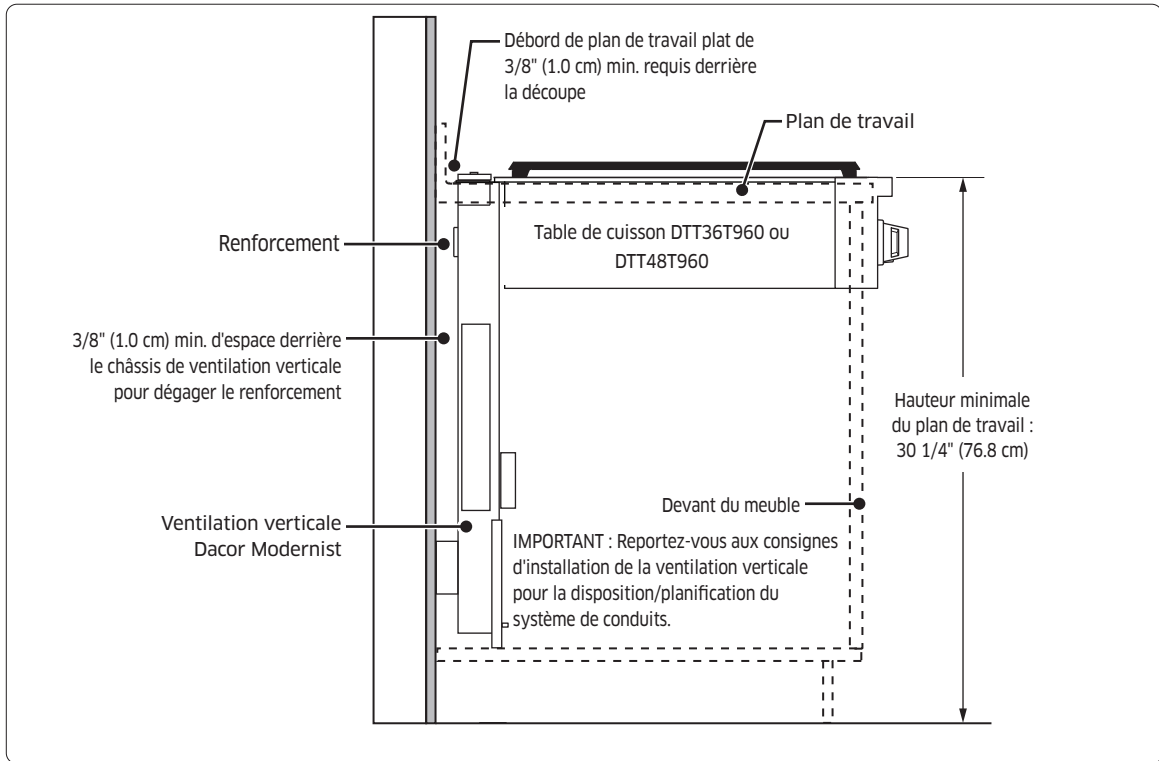


Modèle de table de cuisson	A - Largeur de découpe	B - Décalage des trous	C - Découpe pour la ventilation verticale	Modèles approuvés avec ventilation verticale
DTT36T960	36" (91.4 cm)	16 5/8" (42.2 cm)	33 1/2" (85.1 cm)	ERV36, ERV3615, PRV36
DTT48T960	48" (121.9 cm)	20 13/16" (52.9 cm)	43 1/2" (110.5 cm)	ERV48, PRV48

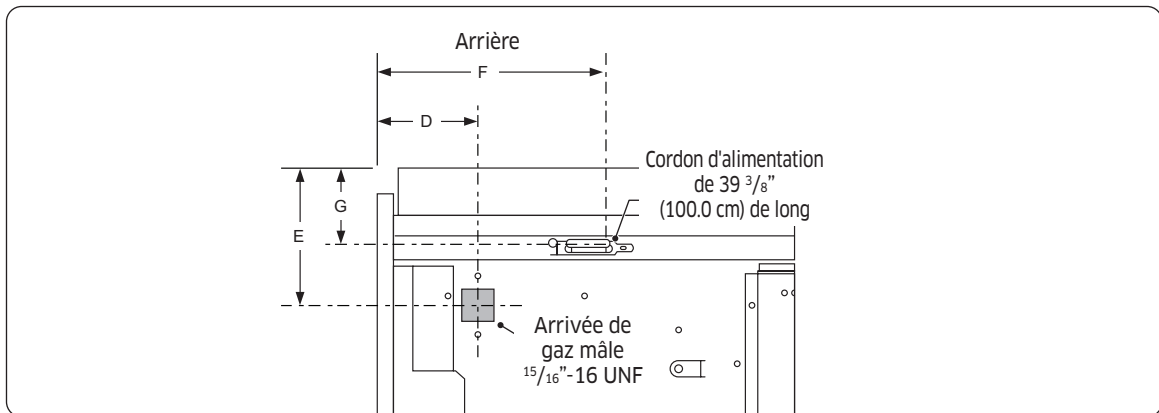
IMPORTANT: Utilisez uniquement les modèles avec ventilation verticale spécifiés.

Conditions d'installation

Meuble/plan de travail avec ventilation verticale - Vue de côté



Emplacements et dimensions de l'installation



Dimensions	DTT36T960	DTT48T960
D	3 1/2" (8.9 cm)	4" (10.1 cm)
E	4 11/16" (11.9 cm)	4 11/16" (11.9 cm)
F	5 1/8" (13 cm)	19 3/4" (50.1cm)
G	2 11/16" (6.9 cm)	2 11/16" (6.9 cm)

Exigences en matière d'alimentation en gaz

Assurer une arrivée de gaz adéquate

Cet appareil a été conçu pour fonctionner sous une pression d'admission de 5 po (13 cm) de colonne d'eau au gaz naturel ou de 10 po (25 cm) de colonne d'eau au GPL (propane ou butane).

Assurez-vous d'alimenter votre appareil avec le type de gaz pour lequel il a été conçu.

Lors de la vérification du bon fonctionnement du régulateur, la pression d'entrée doit être d'au moins 2,5 cm (1 po) supérieure à celle du fonctionnement (répartiteur), comme indiqué.

Le régulateur de pression situé à l'entrée du répartiteur de l'appareil doit rester dans le circuit d'alimentation, peu importe si du gaz naturel ou du GPL est utilisé.

REMARQUE

- L'appareil dispose de son propre régulateur. Utilisez uniquement le régulateur fourni qui doit être installé sur le tuyau de gaz qui part de l'arrivée de gaz et va jusqu'à la vanne de coupure du gaz.
- Une vanne de coupure manuelle externe doit être installée entre l'entrée de gaz et l'appareil, dans le but d'ouvrir ou de fermer l'alimentation en gaz de l'appareil.
- Assurez-vous que les connecteurs sont installés par un installateur qualifié.
- Pour un nouvel appareil, n'installez jamais de connecteurs usagés pouvant provoquer des fuites de gaz ou des blessures corporelles. Utilisez uniquement des connecteurs neufs et flexibles.

Exigences spéciales en matière d'alimentation en gaz (modèles au gaz vendus dans le Massachusetts)

EXIGENCES DU COMMONWEALTH DU MASSACHUSETTS :

AVERTISSEMENT

- Des fuites de gaz peuvent se produire dans votre système, provoquant une situation dangereuse.
 - Les fuites de gaz peuvent ne pas être détectées seulement par l'odeur.
 - Les fournisseurs de gaz recommandent d'installer un détecteur de gaz approuvé UL conforme aux spécifications des fabricants.
- L'appareil doit être installé par un plombier ou un monteur d'installations au gaz qualifié par l'État du Massachusetts.
- Une vanne de gaz manuelle munie d'une poignée en T DOIT être installée sur le tuyau d'arrivée de gaz de votre appareil.
- Si un raccord de gaz flexible est utilisé pour l'installation de votre appareil, il ne faut alors pas brancher plusieurs tuyaux de gaz flexibles en série.

Conditions d'installation

Exigences en matière de raccordement électrique

AVERTISSEMENT

- Il relève de la responsabilité du propriétaire de s'assurer que l'alimentation électrique respecte les exigences en matière de raccordement électrique et que la prise électrique a été correctement installée par un électricien certifié.
- Pour réduire le risque d'incendie, de décharge électrique ou de tout autre dommage corporel :

Toutes les tables de cuisson

- N'utilisez pas de rallonge ou de fiche intermédiaire avec cet appareil.
- Cet appareil doit être correctement relié à la terre.
- Consultez un électricien qualifié si vous avez un doute quant à la bonne mise à la terre de votre appareil.
- N'altérez pas la fiche électrique. Si elle n'est pas adaptée à la prise, faites-en installer une par un électricien qualifié.
- Le câblage et la mise à la terre doivent être conformes aux codes locaux ou, en l'absence de ceux-ci, avec le National Electrical Code (Code National Électrique), ANSI/NFPA n° 70 -dernière édition (pour les États-Unis) ou avec le Canadian Electrical Code (Code Électrique Canadien) CSA C22.1 - dernière édition et dernières révisions.
- Le câblage se trouve à l'intérieur du boîtier des brûleurs.
- Le système d'allumage électronique de l'appareil ne fonctionnera pas si la prise n'est pas correctement polarisée.

Tables de cuisson

- Tous les modèles au gaz sont équipés d'un cordon d'alimentation disposant d'un conducteur de protection et d'une prise de mise à la terre.
- Tous les modèles au gaz aux États-Unis et au Canada nécessitent une installation électrique de 120 V, 60 Hz, CA approuvée avec un disjoncteur ou fusible à retardement de 20 A.

REMARQUE

Le rallumage risque de dysfonctionner si la tension entre Neutre et Terre dépasse 20 V CA. Assurez-vous que la tension est inférieure à 20 V CA.

Mise à la terre

- Toutes les tables de cuisson doivent être mises à la terre pour votre sécurité personnelle.
- La fiche doit être branchée sur une prise tripolaire posée et mise à la terre conformément à la législation en vigueur. Après un dysfonctionnement ou une panne de courant, la mise à la terre réduit le risque d'une décharge électrique en fournissant un chemin sécurisé au courant.
- N'utilisez jamais un cordon d'alimentation endommagé ou une prise murale mal fixée.
- N'utilisez pas de rallonge ou d'adaptateur avec cet appareil.
- Ne coupez, modifiez, retirez, démontez jamais les (trois) broches de la fiche de mise à la terre. Si la fiche et la prise ne sont pas adaptées ou en cas de doute, contactez un électricien qualifié pour vérifier la prise murale et le circuit afin que la prise soit correctement mise à la terre et d'installer une prise adaptée si nécessaire.
- Ne branchez JAMAIS le câble de mise à la terre sur des canalisations en plastique ou des conduites de gaz ou d'eau chaude.

ATTENTION

Le non-respect de ces instructions peut entraîner un incendie, une décharge électrique et la mort.

Conditions d'installation supplémentaires pour mobile-homes

L'installation d'appareils conçus pour les mobile-homes doit se conformer à la Manufactured Home Construction and Safety Standard (norme de sécurité et de structure pour mobile-homes), titre 24 CFR, partie 3280 (anciennement la Federal Standard for Mobile Home Construction and Safety (norme fédérale sur la sécurité et la structure pour mobile-homes), titre 24, HUD, partie 280) ou, dans les cas où cette norme n'est pas applicable, le Standard for Manufactured Home Installations (norme pour les installations dans les mobile-homes), dernière édition (Manufactured Home Sites, Communities and Set-Ups (installations, communautés et sites de mobile-homes)), ANSI A225.1, dernière édition, ou au codes locaux. Au Canada, l'installation de mobile-home doit respecter l'actuel CAN/CSA Z240/MH Mobile Home Installation Code (code actuel sur l'installation de mobile-home CAN/CSA Z240/MH).

Installation de votre table de cuisson

IMPORTANT: Lisez attentivement ces instructions ainsi que les consignes de sécurité au début de ce manuel AVANT d'installer/utiliser la table de cuisson. Une installation, un réglage, une manipulation ou un entretien incorrect peut entraîner des blessures ou des dégâts matériels.

REMARQUE

Engagez un professionnel qualifié pour que l'installation soit optimale.

Déballage de la table de cuisson

1. Retirez le matériel d'emballage. (Dans le cas contraire, l'appareil risque d'être endommagé.)
2. Comptez toutes les pièces détachables en vous référant à la liste des composants répertoriée, page 13.
3. Vérifiez l'absence de dommages dus à l'expédition de l'appareil et signaler tous les dommages et pièces manquantes à votre revendeur local.

Installation de la table de cuisson

1. Si une ventilation verticale est associée à votre appareil, installez d'abord la ventilation verticale en suivant les consignes d'installation.
2. Insérez l'appareil dans le découpage de l'emplacement et centrez-le.
3. Fixez la table de cuisson en place sur le plan de travail à l'aide des deux supports de maintien.

Conditions d'installation

Raccordement de l'alimentation au gaz

1. Coupez la vanne principale d'arrivée de gaz avant de débrancher l'ancienne table de cuisson.
2. Raccordez la table de cuisson au gaz.
3. Ouvrez la vanne de gaz et rallumez les brûleurs sur tous les autres appareils au gaz.

REMARQUE

Puisque les tuyaux rigides restreignent le déplacement de l'appareil, l'utilisation d'un raccord d'appareil en métal flexible conforme aux normes CSA internationales est recommandé, sauf si les codes locaux exigent un branchement avec tuyaux rigides.

AVERTISSEMENT

Si vous ne respectez pas scrupuleusement les informations contenues dans ce manuel, vous risquez de provoquer un incendie ou une explosion et, par conséquent, des dégâts matériels, blessures ou accidents mortels.

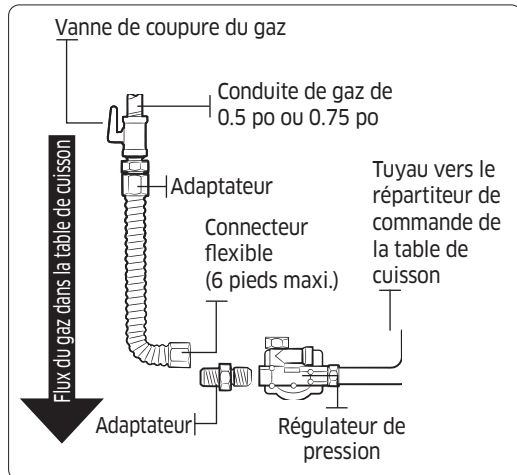
- Ne laissez ni n'utilisez en aucun cas d'essence ou d'autres produits inflammables à proximité de l'appareil.
- SI VOUS SENTEZ UNE ODEUR DE GAZ :
 - N'allumez PAS d'allumette, de bougie ou de cigarette.
 - N'ESSAYEZ PAS d'allumer un appareil quel qu'il soit.
 - NE TOUCHEZ AUCUN commutateur électrique.
 - N'UTILISEZ PAS de téléphone dans votre immeuble.
 - Évacuez la pièce, l'immeuble ou le quartier de tous les occupants.
 - Appelez immédiatement votre fournisseur de gaz avec le téléphone d'un voisin. Suivez les instructions de votre fournisseur de gaz.
 - Si vous ne parvenez pas à joindre votre fournisseur de gaz, appelez les pompiers.
- L'installation et l'entretien doivent être effectués par un installateur qualifié, une agence de maintenance ou votre fournisseur de gaz.
- Assurez-vous d'installer le régulateur de gaz fourni avec l'appareil. N'utilisez pas l'appareil sans avoir installé le régulateur.
- Assurez-vous que la flèche présente sur le régulateur pointe vers l'appareil.
- Ne serrez pas trop les raccords au gaz et les fixations.
- Avant utilisation, testez les tuyaux de gaz à la recherche de fuites, conformément aux instructions. N'utilisez pas de flamme pour vérifier s'il y a des fuites.

N'installez jamais un connecteur usagé sur un appareil neuf. Si la méthode des tuyaux rigides est employée, vous devez aligner les tuyaux avec précaution ; l'appareil ne peut plus être déplacé une fois le branchement établi. Afin d'éviter des fuites de gaz, appliquez de la pâte de joint pour tuyau ou enroulez du ruban de filetage de tuyau avec du téflon sur tous les filetages de tuyau mâle (externe).

1. Attachez le régulateur de pression de gaz sur l'entrée de l'embout fileté du tuyau de la table de cuisson. (Pour des installations hermétiques, le régulateur peut être installé en amont de l'embout fileté du tuyau, à n'importe quel endroit entre la vanne de coupure et la table de cuisson. Pour des performances optimales, minimisez la perte de pression de gaz en attachant le régulateur aussi près que possible de l'entrée de gaz.)
2. Effectuez le raccordement en installant un tuyau de gaz flexible entre le régulateur de pression et la vanne de coupure.

Branchement du raccord flexible

Installateur : Informez le client de l'emplacement de la vanne de coupure de gaz.



REMARQUE

La vanne de coupure de gaz doit être installée sur les tuyaux du gaz, à l'écart de l'appareil, dans un endroit facilement accessible pour une ouverture/fermeture rapide.

Vérification des fuites de gaz

AVERTISSEMENT

Afin d'éviter tout risque d'explosion/incendie et de possibles blessures corporelles ou décès, N'UTILISEZ PAS de flammes pour vérifier la présence éventuelle de fuites de gaz

Lors de l'utilisation d'une pression supérieure à 1/2 psig pour vérifier le système d'alimentation au gaz du domicile, débranchez l'appareil et la vanne de coupure individuelle des tuyaux d'alimentation au gaz. Lorsque vous utilisez une pression de test de 1/2 psig ou moins afin de tester le système d'alimentation en gaz, isolez simplement la table de cuisson du système en fermant la vanne de coupure de gaz individuelle.

1. Lorsque tous les branchements sont effectués, assurez-vous que tous les boutons de la table de cuisson sont sur la position arrêt, puis ouvrez la vanne d'arrivée de gaz principale.
2. Utilisez un détecteur de fuite liquide sur tous les joints et branchements afin de repérer les fuites dans le système.
3. Serrez tous les connecteurs si nécessaire, afin d'empêcher une fuite de gaz dans la table de cuisson ou dans le tuyau d'alimentation.

Effectuez les branchements électriques

AVERTISSEMENT

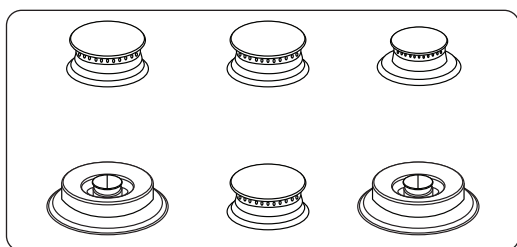
- Coupez toute l'alimentation électrique du disjoncteur principal ou de la boîte à fusibles avant d'effectuer les branchements électriques.
 - AVANT tout fonctionnement ou test, respectez les conditions de mise à la terre (page 22) de ce manuel. Un mauvais branchement de la fiche de mise à la terre peut entraîner une décharge électrique.
 - Tous les appareils à gaz sont dotés d'un cordon d'alimentation relié à l'arrière du châssis de la table de cuisson. (Pour plus de détails, voir **Exigences en matière de raccordement électrique**, page 21.)
 - Le système électrique, y compris le cordon d'alimentation, est installé/câblé en usine. Modifier une pièce de ce système peut conduire à un court-circuit ou à une surcharge.
1. Branchez le cordon d'alimentation. (Assurez-vous que la prise est conforme aux codes électriques applicables. (Pour plus de détails, reportez-vous, page 21.)
 2. Vérifiez que le tuyau d'alimentation au gaz n'est pas endommagé ou resté branché après le positionnement.

Conditions d'installation

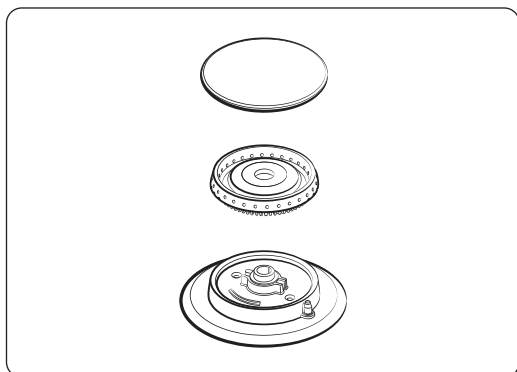
Assemblage des brûleurs de la table de cuisson

ATTENTION

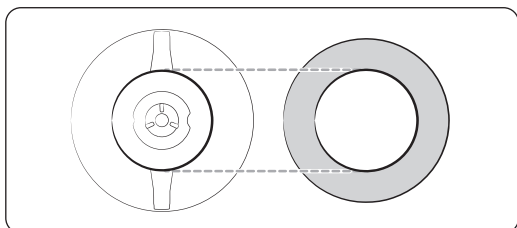
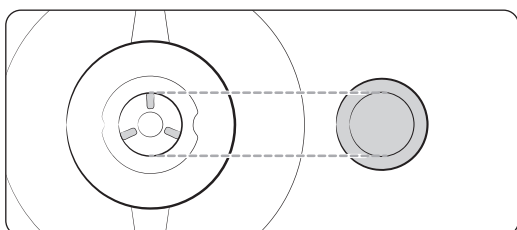
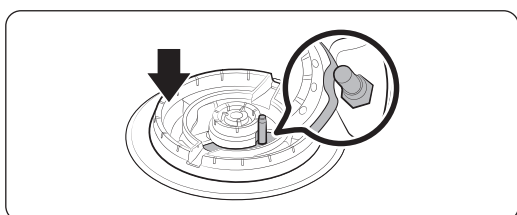
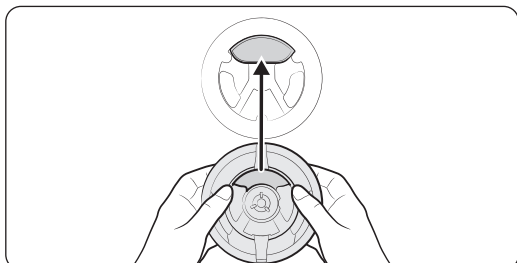
- Ne faites pas fonctionner les brûleurs de la table de cuisson si toutes les pièces de ceux-ci ne sont pas en place.
- N'actionnez aucune commande de la table de cuisson lorsque vous retirez le brûleur, une petite décharge électrique risquerait de se produire et de vous faire tomber sur les récipients bouillants.
- Ne retirez pas le dessus d'un brûleur et ne touchez pas l'électrode d'un brûleur pendant qu'un autre brûleur est allumé, vous risqueriez de provoquer une décharge électrique.



1. Posez les têtes des brûleurs sur les bases des brûleurs, comme indiqué à gauche. (Les électrodes sont adaptées à la fente se trouvant sous les têtes de brûleurs.) Les têtes doivent être plates et parallèles à la table de cuisson.
2. Placez ensuite les chapeaux de tailles correspondantes par-dessus chaque tête des brûleurs de la table de cuisson.



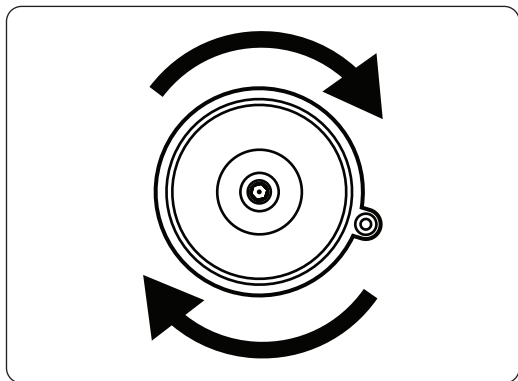
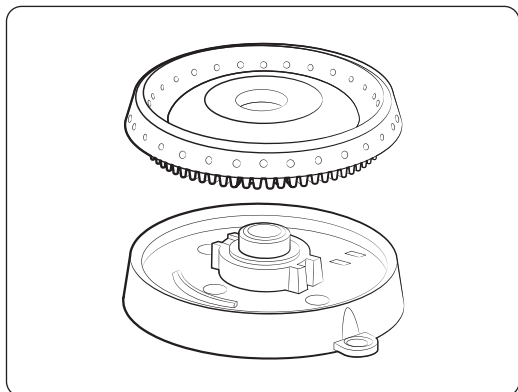
Têtes/chapeaux des brûleurs doubles



1. Orientez la tête du brûleur afin que l'ouverture pour l'électrode soit alignée avec l'électrode.
2. Installez la tête du brûleur de façon à ce que l'électrode passe à travers son ouverture au niveau de la tête. Assurez-vous que la tête du brûleur porte bien à plat sur le dessus de la cuisinière.
3. Faites correspondre les chapeaux des brûleurs avec les brûleurs par taille, puis réinstallez les chapeaux sur les têtes des brûleurs.

Conditions d'installation

Têtes/chapeaux des brûleurs circulaires



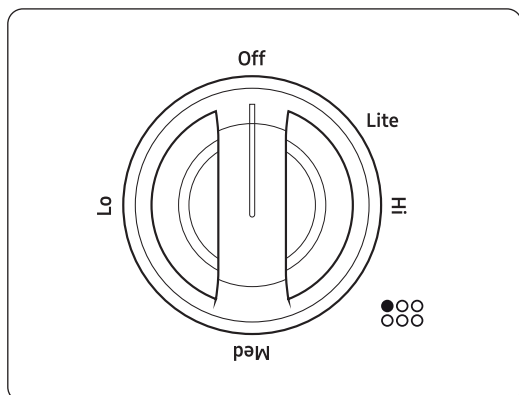
1. Posez les têtes des brûleurs sur les bases des brûleurs, comme indiqué à gauche. La partie inférieure de la tête du brûleur s'insère à l'intérieur de la base du brûleur.
2. Tournez la tête du brûleur jusqu'à ce qu'elle se fixe dans son emplacement. Tournez légèrement la tête de brûleur vers l'arrière pour vérifier qu'elle est correctement installée.
3. Placez les chapeaux des brûleurs (en laiton ou en porcelaine) sur les têtes des brûleurs. La strie autour du bord inférieur du chapeau va autour de la partie supérieure de la tête du brûleur.

 **ATTENTION**

Assurez-vous que tous les composants des brûleurs (têtes et chapeaux) restent stables et à plat.

Vérification du fonctionnement des brûleurs

Une fois la table de cuisson entièrement installée, branchée, assemblée et branchée, vérifiez le fonctionnement de tous les brûleurs.



Pour allumer un brûleur de la table de cuisson

1. Enfoncez et tournez un bouton de commande de brûleur sur le symbole de la flamme. (Le cliquetis indique que le système d'allumage électronique fonctionne. Le brûleur s'allume au bout de 4 secondes, une fois que l'air est évacué du tuyau de gaz.)
2. Lorsque le brûleur s'allume, tournez le bouton sur le réglage souhaité. (Le cliquetis s'arrête et la hauteur de la flamme passe de HI (ÉLEVÉ) à LO (FAIBLE) lorsque vous tournez le bouton dans le sens antihoraire.)
3. Répétez les étapes 1 et 2 afin de vérifier le bon fonctionnement de chaque brûleur de la table de cuisson, l'un après l'autre.

REMARQUE

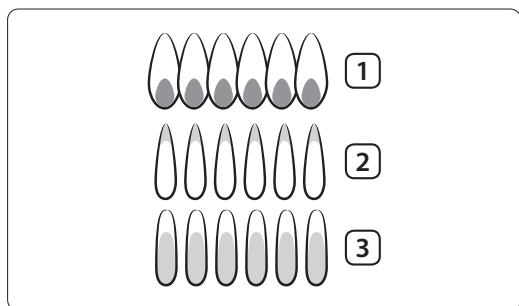
- Si le brûleur ne s'allume pas au bout de 4 secondes, désactivez le bouton et attendez une minute avant de réessayer.
- Le bouton du gril ne contient pas de symbole représentant une flamme. Tournez-le dans le sens horaire pour allumer le gril.

Contrôle de la qualité de la flamme

Les flammes des brûleurs doivent toutes être contrôlées visuellement afin de déterminer leur qualité.

ATTENTION

Si vous souhaitez mesurer la flamme, veillez à ne pas vous blesser.



1. **Des flammes bleu clair** sont normales pour un fonctionnement au gaz naturel.
2. **Des pointes jaunes à l'extrémité des cônes** sont normales pour un fonctionnement au GPL.
3. **Des flammes jaunes** sont anormales pour un fonctionnement avec tous les gaz ; contactez le service technique.

REMARQUE

Si la flamme du brûleur ressemble à l'exemple 3, appelez un technicien et n'utilisez pas la table de cuisson. Les exemples 1 et 2 illustrent des flammes normales.

Conditions d'installation

Installation des grilles

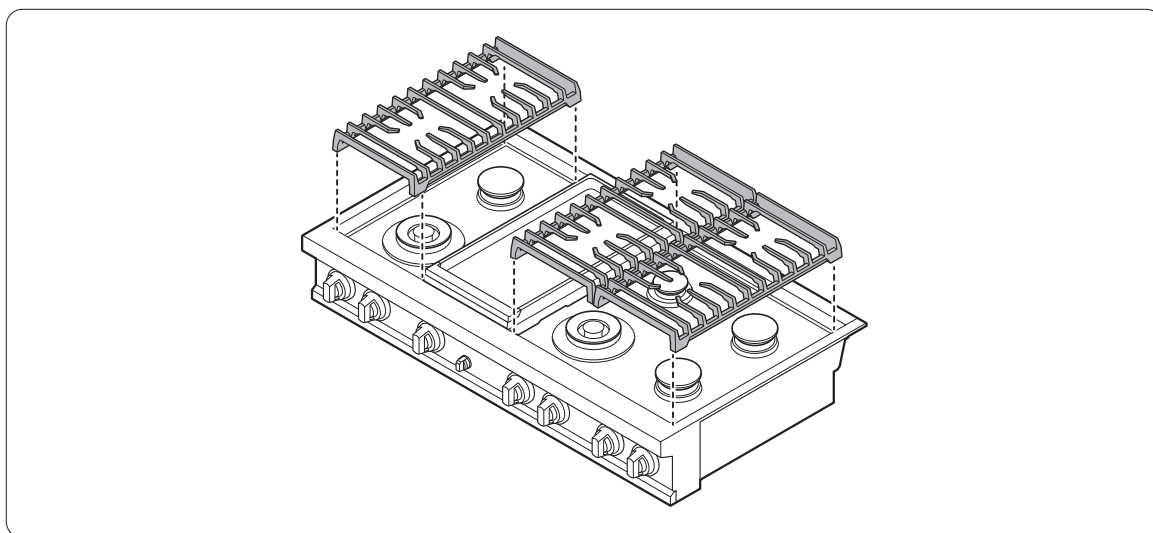
REMARQUE

Pour obtenir de meilleurs résultats, une durée de vie plus longue, installez les grilles en suivant les consignes ci-dessous. Lorsqu'elles sont installées correctement, les ouvertures sur les grilles sont centrées par-dessus les brûleurs.

Les grilles se placent à des endroits spécifiques sur la table de cuisson. Pour une stabilité maximale et un fonctionnement sécurisé, ces grilles doivent être utilisées uniquement à leurs emplacements appropriés. L'arrière de la grille droite possède une encoche pour vous aider à orienter correctement les grilles. (Voir l'image ci-dessous.)

Pour placer correctement les grilles :

1. Trouvez l'encoche à l'arrière droit de la grille et orientez la grille sur les brûleurs droits.
2. Abaissez délicatement la grille arrière droit de sorte que ses pieds se placent dans les orifices correspondants de la table de cuisson.
3. Placez les grilles restantes de sorte que leurs pieds se logent dans les orifices correspondants.



REMARQUE

Les grilles ne sont pas interchangeables. Chaque grille a ses propres lettres gravées en dessous. Cela vous indique où est l'avant de la grille ainsi que sa position appropriée (gauche, centre ou droite).

Vérification finale de l'installation

AVERTISSEMENT

- Pour assurer une installation correcte et sécurisée, l'installateur doit passer en revue la liste de vérifications.
- Le propriétaire sera responsable de l'installation correcte de la table de cuisson dont l'importance ne doit pas être négligée.

Une fois la table de cuisson installée, assurez-vous que tous les boutons de commande sont sur OFF. Passez en revue la liste de vérifications pour confirmer que la table de cuisson est correctement installée et prête à fonctionner.

- Le tuyau de gaz a correctement été raccordé à la table de cuisson.
- Le gaz a été allumé.
- Toutes les connexions ont été vérifiées afin de repérer les fuites de gaz.
- La table de cuisson est correctement branchée dans une prise électrique mise à la terre.
- Les brûleurs et grilles de la table de cuisson sont correctement assemblés.
- Tous les brûleurs ont été testés et fonctionnent correctement.

REMARQUE

Pour une utilisation ultérieure, gardez l'étiquette portant le numéro de série (sur le côté droit de l'appareil) dans le manuel d'utilisation ou à un autre endroit convenant au propriétaire.

MÉMO

MÉMO

dacor
