



Installation Instructions

Rangetop

DTT48*960**/DTT36*960**



DG68-01476A-00

WARNING: If the information in these instructions is not followed exactly, a fire or explosion may result causing property damage, personal injury or death.

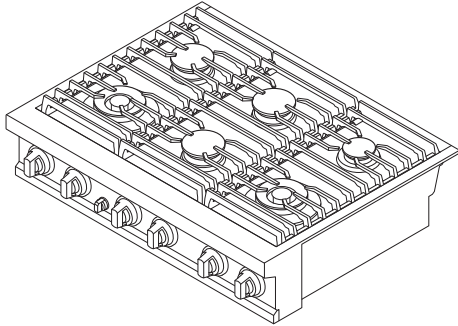
- Do not store or use gasoline or other flammable vapors and liquids in the vicinity of this or any other appliance.
- WHAT TO DO IF YOU SMELL GAS
 - Do not try to light any appliance.
 - Do not touch any electrical switch.
 - Do not use any phone in your building.
 - Immediately call your gas supplier from a neighbor's phone. Follow the gas supplier's instructions.
 - If you cannot reach your gas supplier, call the fire department.
- Installation and service must be performed by a qualified installer, service agency or the gas supplier.

Contents

Before you Begin	3
Important Notes	3
Customer Service Information	4
Important Safety Instructions	5
Product specifications	11
What is in the Box	11
Parts and Tools Needed	12
Installation Requirements	13
In Preparation	13
Overall Rangetop Dimensions	14
Countertop Cutout Dimensions	15
Gas-Supply Requirements	19
Special Gas Requirements (gas models sold in Massachusetts)	19
Electrical Requirements	20
Installation Instructions	21
Installing the Rangetop	21

Before you Begin

Important Notes



User

- Keep this manual for personal and professional reference.
- Ensure that qualified personnel install and ground the rangetop.

Overall design/accessories may differ with the model.

Installer

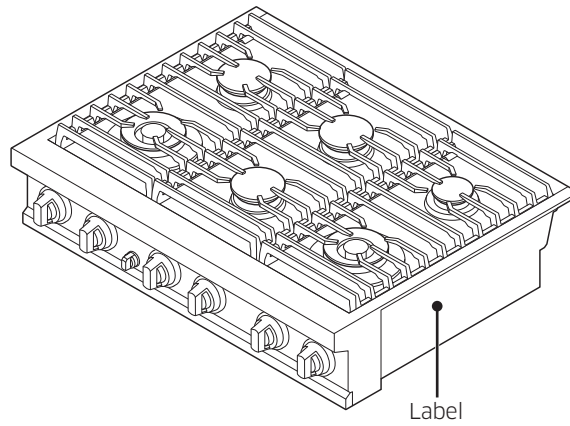
- Read this manual thoroughly before installation.
- Leave this manual with the user.
- Write the rangetop's model/serial numbers in this manual for service/maintenance reference.
- Remove all packaging from the rangetop before connecting it to the electric/gas supplies.
- Observe all governing regulations.
- Installation requires basic mechanical skills.
- The installer shall ensure proper installation.
- Product failure due to improper installation is not warranted.
- Ensure the wall coverings around the rangetop can withstand the heat generated it.
- Overhead cabinetry should be at least 30 in. (76.2 cm) above the rangetop burners.

Service Technician

The electrical diagram is attached inside the burner box.

Customer Service Information

To resolve questions and installation issues, contact your Dacor dealer or the Dacor Customer Assurance Team. Before calling, have the rangetop's model/serial numbers available (see the data label, right-hand side of the rangetop chassis.)



Dacor Customer Service

1-833-353-5483 (USA)
Monday - Friday 8:00 AM - 8:00 PM EST

1-844-509-4659 (Canada)
Monday - Friday 8:00 AM - 8:00 PM EST

Important Safety Instructions

Read All Instructions Before Using This Appliance

- All electrical/gas equipment with moving parts can be dangerous. Read and follow this section carefully to minimize risk of property damage, personal injury, and death.
- Keep this manual in a handy place for personal and professional reference.

Symbols Used in This Manual

Follow these warning icons and symbols explicitly to prevent property damage and personal injury.

WARNING

Hazards or unsafe practices that may result in severe injury or death.

CAUTION

Hazards or unsafe practices that may result in electric shock, personal injury, or property damage.

NOTE

Useful tips and instructions.

California Proposition 65 Warning (US only)

WARNING

Cancer and Reproductive Harm - www.P65Warnings.ca.gov

Commonwealth of Massachusetts

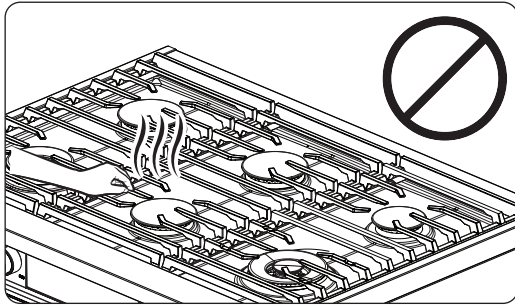
This product must be installed by a licensed plumber or gas fitter qualified or licensed by the State of Massachusetts. When using ball-type gas shut-off valves, you must use the T-handle type. Multiple flexible gas lines must not be connected in series.

Important safety instructions

General Safety

⚠ WARNING

To reduce risk of property damage, fire, personal injury, and death:



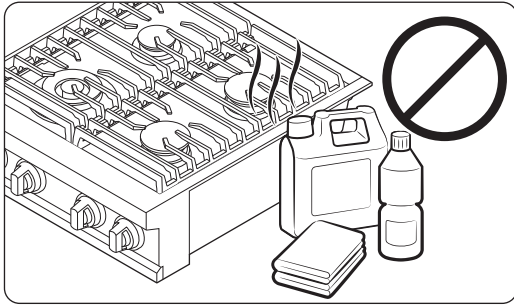
- Do not touch any part of the rangetop during or immediately after cooking.
- Learn where and how to shut off the rangetop's gas-intake valve.

- Do not let children near the rangetop or leave them unattended in the kitchen when the rangetop is in use. Dacor recommends activating the control lockout feature.
- Remove and immediately dispose of packaging. Do not let children play with the packaging.
- Do not keep objects of interest to children on or around the rangetop.
- Do not operate the rangetop if it is damaged, if it malfunctions, or if parts are missing.
- Use only dry pot holders.
- Do not heat sealed food containers on the rangetop.
- When disposing of the rangetop, cut off the power cord.
- Unplug the rangetop before service/maintenance.
- Do not leave/store combustible material and liquids on/near the rangetop.
- Teach children not to touch or play with the controls or any part of the appliance.
- Ensure all meat and poultry is cooked thoroughly. Meat should always be cooked to an internal temperature of 160 °F (71 °C), and poultry to 180 °F (82 °C).
- Do not use the rangetop as a space heater.
- Air curtains or range hoods that blow air downward shall not be used with a gas range unless the hood and range are designed and tested according to the Standard for Domestic Gas Ranges, ANSI Z21.1 • CSA1.1, and listed by an independent testing laboratory for combination use.

Fire Safety

⚠ WARNING

To reduce risk of property damage, fire, personal injury, and death:



- Do not store/place/use combustible items (e.g., paper, plastic, fabrics, gasoline) near the rangetop.
- Do not wear loose-fitting or hanging garments or accessories while using the rangetop.

- Keep flammable items away from the cooktop burners.
- Regularly clean the oven vents.
- Do not use a towel or other bulky cloth as a pot holder.
- Do not douse a grease fire with water but turn off the burner, and if needed, use a multi-purpose, dry-chemical, or foam extinguisher.
- Do not heat sealed containers.

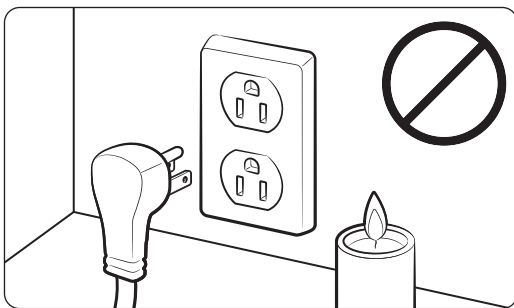
Gas Safety

⚠ WARNING

To reduce risk of property damage, fire, personal injury, and death:

If you smell gas:

- Close the valve and do not use the rangetop.
- Do not light a match, candle, or cigarette; or turn on any gas or electric appliances.



- Do not touch any electrical switches or plug in a power cord.
- Do not use any phone in your building, and evacuate the building.
- Immediately call your gas supplier from another building. Follow the supplier's directions.
- If you cannot reach your gas supplier, call the fire department.

Checking for Gas Leaks

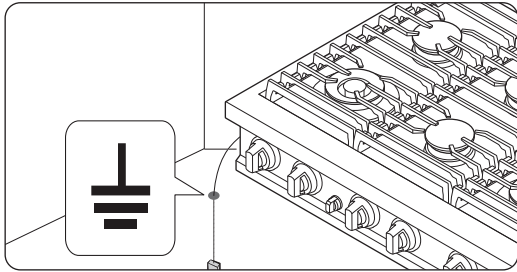
Leak-testing the appliance must be done as the manufacturer directs. Do not use a flame to check for gas leaks. With a brush, spread a soap-and-water solution around the area in question. If there is a gas leak, small bubbles will appear in the solution.

Important safety instructions

Electrical and Grounding Safety

⚠ WARNING

To reduce risk of fire, electric shock, personal injury, and death:



- Plug the appliance in to a grounded, 3-prong outlet.
 - Do not remove the ground prong.
 - Do not use an adapter or an extension cord.
 - Do not use a damaged power plug/cord, or loose power outlet.
 - Do not modify the power plug, cord, or outlet.
-
- Do not put a fuse in a neutral or ground circuit.
 - Use a dedicated 120-volt, 60-Hz, 20-amp, AC, fused electrical circuit. A time-delay fuse or circuit breaker is recommended. Plug only the rangetop into this circuit.
 - Do not connect the ground wire to plastic plumbing, gas, or hot-water lines.
 - The rangetop must be grounded. If it malfunctions, grounding provides a safe path for the current. The rangetop's grounding plug must be firmly plugged into an outlet that is properly installed and grounded per local regulations. If you are unsure your outlet is properly grounded, have it checked by a licensed electrician.
 - If codes allow a separate ground wire, a qualified electrician should determine the proper path for this ground wire.
 - Electrical service to the rangetop must conform to local codes, in the absence of which, it should meet the latest ANSI/NFPA No. 70 - Latest Revision (for the U.S.) or the Canadian Electrical Code CSA C22.1 - Latest Revisions.
 - The rangetop owner shall ensure that proper electrical service is provided.

Installation Safety

⚠ WARNING

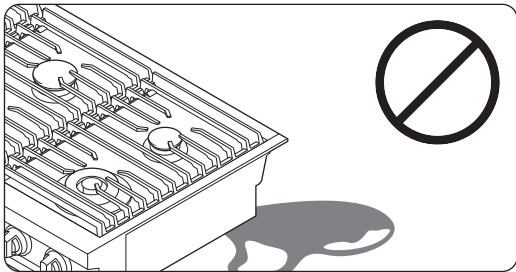
To reduce risk of fire, electric shock, personal injury, and death:

- Only install the rangetop indoors away from weather, water, wind, and strong drafts.
- Select a location where a grounded, 3-prong outlet is easily accessible.
- If the rangetop is near a window, do not hang long curtains or paper blinds that may blow over/ onto the rangetop.
- For the rangetop to ventilate properly, its vents must not be blocked, and that there is enough clearance all around. The vents allow the necessary exhaust for the appliance to operate properly with correct combustion.
- Ensure the wall coverings near the appliance can withstand heat up to 200 °F (93 °C).
- Avoid cabinet storage above the rangetop. If such storage is unavoidable, leave at least 30 in. (76.2 cm) from cooking surface to cabinet bottom, or install a hood that projects at least 5 in. (12.7 cm) beyond the cabinet bottom.

Location Safety

⚠ WARNING

To reduce risk of property damage, fire, personal injury, and death:



- Do not install the rangetop outdoors or where it will be exposed to weather/water or wind/strong drafts.

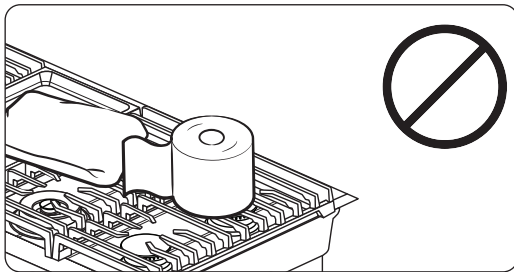
- The rangetop must be installed within reach of a grounded, 3-prong outlet.
- Do not hang window treatments that could be blown onto the rangetop.
- For proper performance, the rangetop needs sufficient space all around the chassis.
- Wall coverings around the unit must withstand heat up to 194 °F (90 °C).
- Cabinet storage above the rangetop is discouraged but if unavoidable, leave at least 30 in. (76.2 cm) between the cooking surface and cabinet bottoms.

Important safety instructions


Rangetop Safety

⚠ WARNING

To reduce risk of fire, electric shock, personal injury, and death:



- Turn all burners off when not in use.
- Do not use aluminium foil to line the grates or any part of the rangetop.
- Do not leave burners unattended on medium or high heat settings.
- Before igniting, ensure all burner caps are properly in place and all burners are level.

- Always use the LITE () position to ignite the burners, then ensure the burners ignite. If ignition fails, turn the knob to OFF, wait until the gas dissipates, then try again.
- When setting a burner to simmer, turn the knob slowly. Ensure the flame stays on.
- Place only cookware on the rangetop.
- Flame food only under an active ventilation hood.
- Turn off burners then immediately remove cookware from the burners.
- Before disassembling a burner, ensure all burners are off and the rangetop is completely cool.
- After cleaning the burner spreader, ensure it is completely dry before re-assembling.
- In assembling a burner, align the spark mark on the dual burner spreader with the electrode.
- Do not pour water into the rangetop drip basin.
- Use cookware that is designed for rangetop cooking and is large enough to cover the burner grates. Adjust burner flames to remain under the cookware.
- To avoid cookware discoloration, deformity, and/or carbon monoxide poisoning, do not use cookware that is substantially larger than the grate.
- Turn cookware handles away from surface burners and the rangetop front edge.
- Stand back from the rangetop while frying.
- Heat frying oils slowly, and watch as they heat. If frying at high heat, closely watch the cooking process. If combining fats or oils when frying, mix them before heating.
- Use a deep-fryer thermometer if possible to monitor the oil temperature, and use minimal oil.
- Do not fry frozen food or partially thawed food that is clumped with ice.
- Before moving fat-/oil-filled cookware, make sure it has completely cooled.
- To prevent delayed eruptive boiling, let hot liquids stand at least 20 seconds after turning off the burner so the liquid temperature can stabilize. In case of scalding, immerse the burn in cool water for at least 10 minutes, then cover with a clean, dry cloth. Do not apply cream/oil/lotion.
- Center pots on the grates. Do not put a pot larger than 9" in diameter on a rear burner. Oversized pots may impede airflow, making the flame sputter and burn inefficiently.
- Do not wear loose or hanging clothing when using the rangetop.
- Never leave plastic on the rangetop. Vented hot air can melt or ignite plastic or cause a buildup of dangerous pressure in closed plastic containers.
- Put only cookware on the rangetop.
- Thaw and pad food dry before frying. Moisture can cause oil to erupt and overflow.
- Always make sure the controls are OFF and the grates are cool before you remove them to prevent any possibility of being burned.
- Keep combustible material away from the rangetop.

Product specifications

What is in the Box

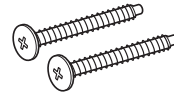
Common Parts



Manual

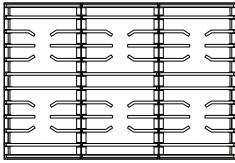


Regulator (1) *

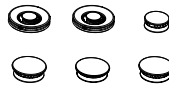


Bolt (2)

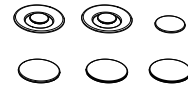
36" DTT36*960



Cooktop burner grates (3)

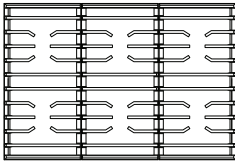


Burner heads(6) and Brass cap (8)

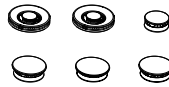


Porcelain caps (8)

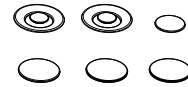
48" DTT48*960



Cooktop burner grates (3)



Burner heads(6) and Brass cap (8)



Porcelain caps (8)

NOTE

- Verify that all supplied parts are present.
- If your rangetop was damaged during shipping or specified parts are missing, contact your local retailer. Do not install a damaged or incomplete rangetop.
- Porcelain and brass burner caps are provided to suit customer preference. (The brass will discolor with use; however, the discoloration does not affect the caps' intended function.)
- If you need an accessory marked with an asterisk (*), contact Dacor Customer Assurance via 833-353-5483(USA), 844-509-4659(Canada), or visit : www.dacor.com

Product specifications

Parts and Tools Needed

Parts Needed



Gas line shut-off valve



Flexible metal appliance connector ½ in (ID) x 5 ft



Flare union adapter ¾ in (NPT) x ½ in (ID)



Flare union adapter ½ in (NPT) x ½ in (ID)



135-degree elbow (option)



90-degree elbow (option)

Tools Needed



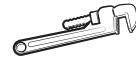
Flat-blade screwdriver



Phillips screwdriver



Open-end or adjustable wrench



Pipe wrench (2)



¼" Nut driver



Pencil, ruler



Level



Pipe-joint compound



Utility knife



Soap-water solution



Pliers



Saber saw

Installation Requirements

In Preparation

1. Before cutting the opening in the countertop, verify that there will be no conflict between the rangetop chassis and anything in the cabinet below.
2. Remove all packing material and accessories from the rangetop, and verify that all items are present before beginning the installation.

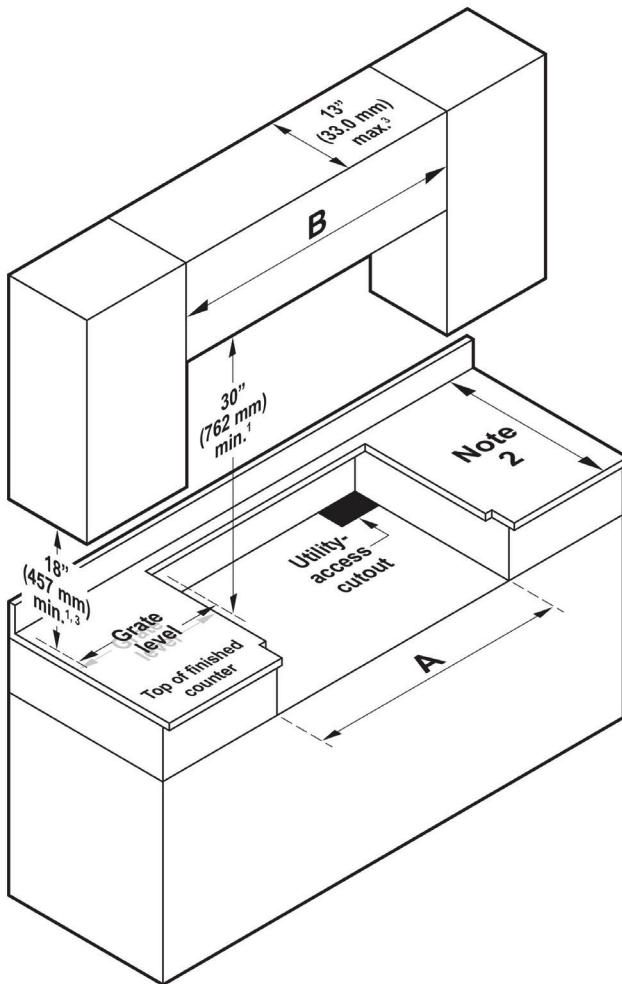
Location Requirements

Before you begin the installation, review this section thoroughly. These dimensions must be met for safe operation. Location of the electrical outlet and gas piping may be adjusted to meet the specified parameters.

CAUTION

The rangetop complies with the maximum allowable wood-cabinet temperature of 194 °F (90 °C). Ensure the wall covering, countertops, and surrounding cabinets can withstand this temperature to avoid discoloration, delamination, or melting.

Maintain These Minimum Clearances



1. Vertical to combustible surface from rangetop grate level; if installing a ventilation hood, check hood spec's for minimum required clearances.
2. See Cabinet/Countertop Dimensions -Top View.
3. This specification is not applicable for cabinets more than a horizontal distance of 10" (25.4 cm) from the edge of the rangetop.

Rangetop	DTT36*960	DTT48*960
A	36" (91.44 cm)	48" (121.9 cm)
B	36" (91.44 cm)* 42" (106.7 cm)**	48" (121.9 cm)* 54" (137.2 cm)**

* Minimum

** Recommended

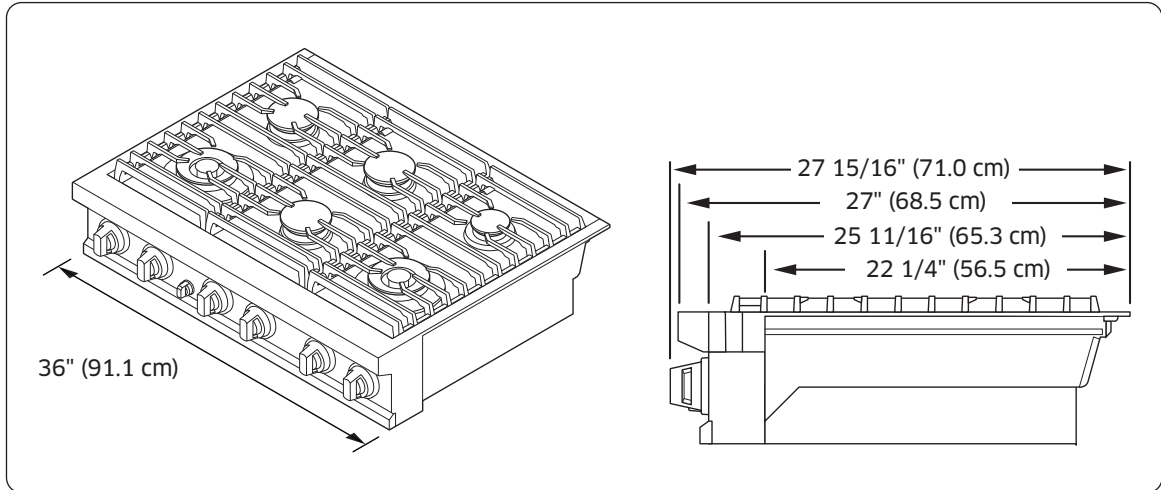
A: Rangetop cutout

B: Range hood cutout

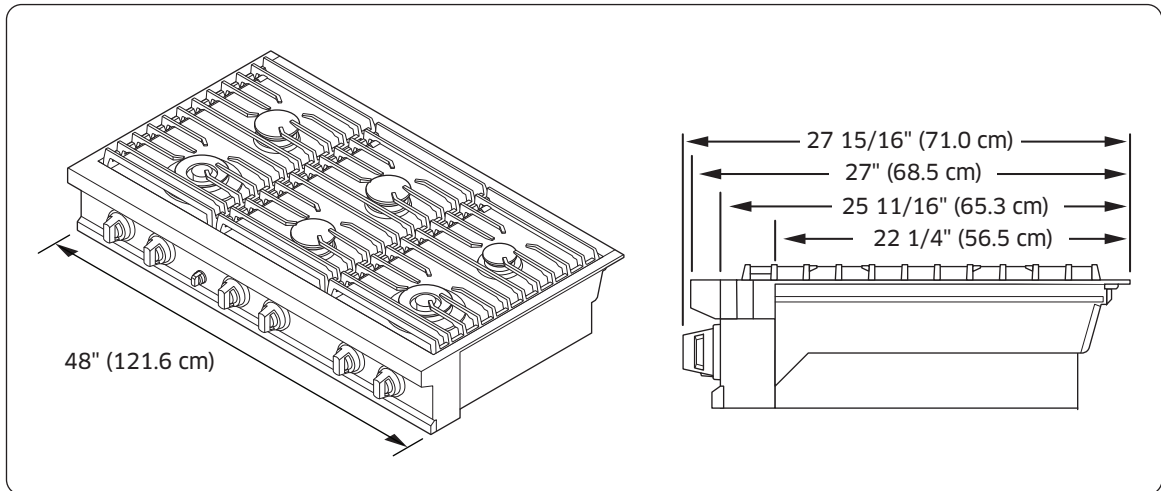
Installation Requirements

Overall Rangetop Dimensions

DTT36*960

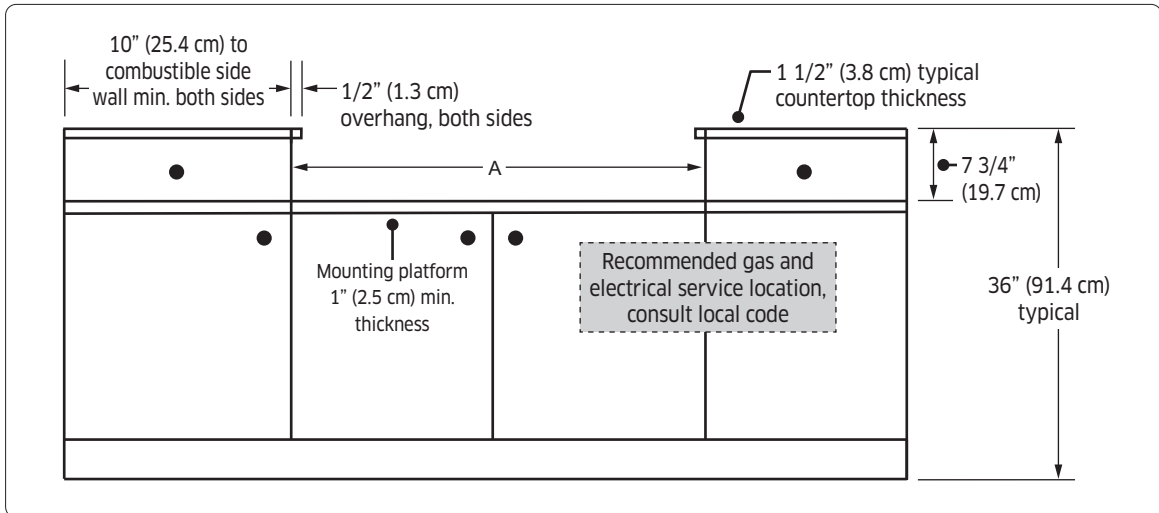


DTT48*960

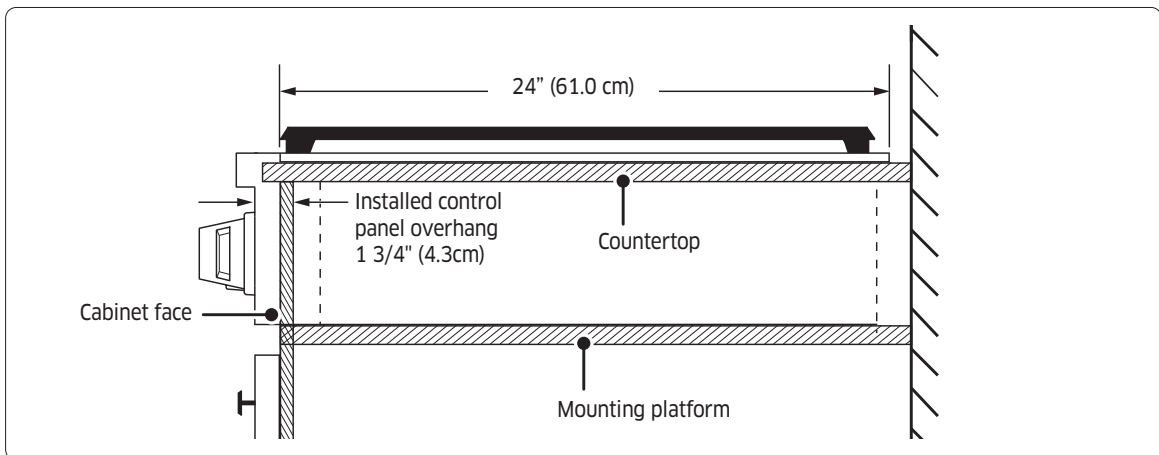


Countertop Cutout Dimensions

Cabinet/Countertop Dimensions (front view)



Installed Rangetop (side view)



 **CAUTION**

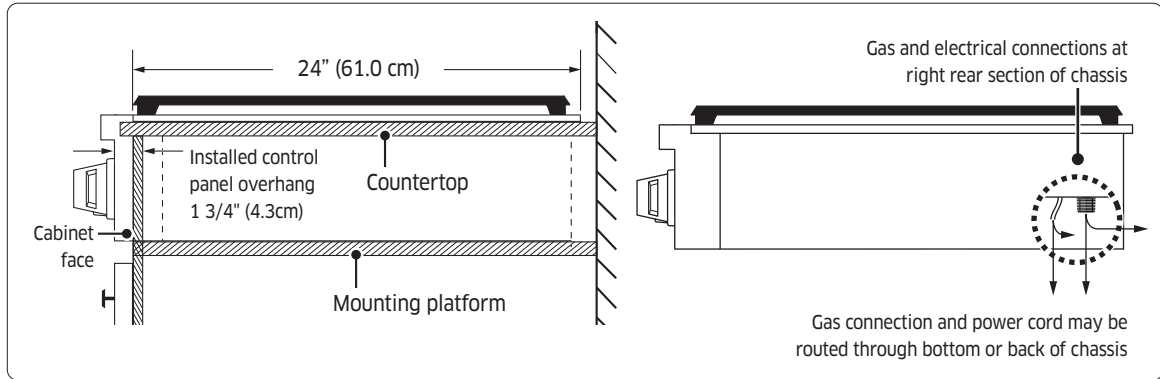
Cutout dimensions must be observed. Any overage could create severe problems.

 **NOTE**

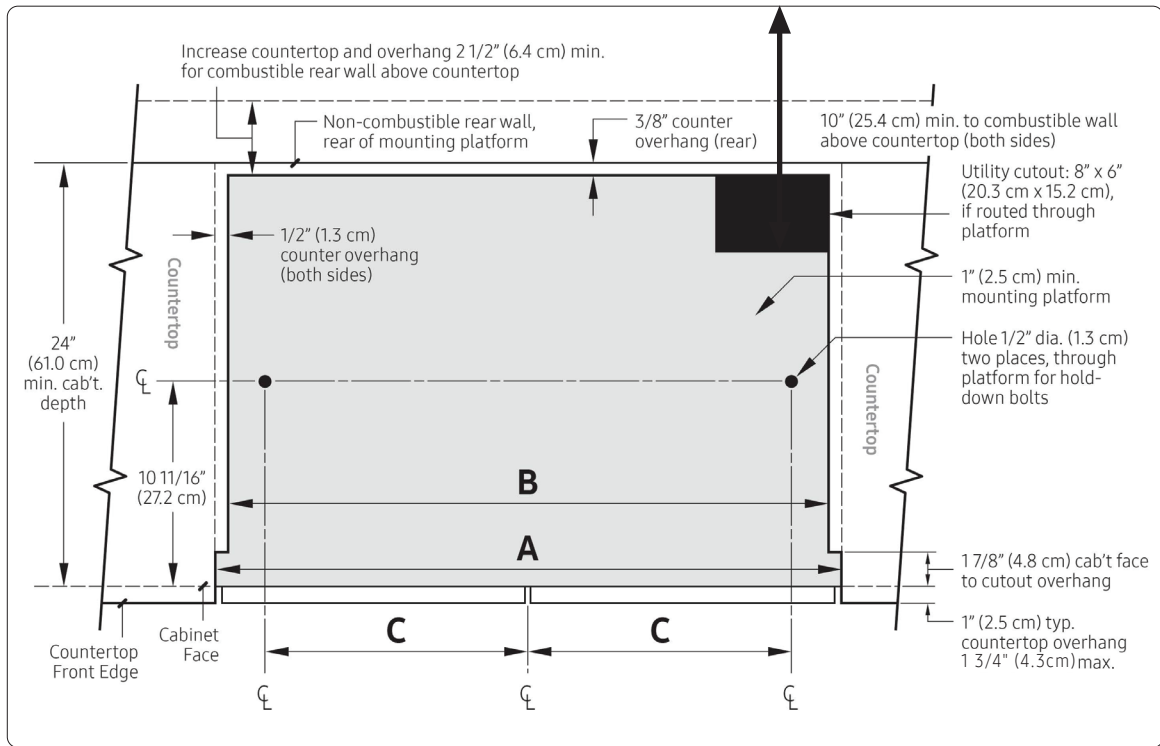
Cabinet tolerances +1/16" (+1.6 mm) -0 unless otherwise noted.

Installation Requirements

Installed Rangetop (side view)



Cabinet/Countertop Cutout Dimensions—No Downdraft Vent (top view)

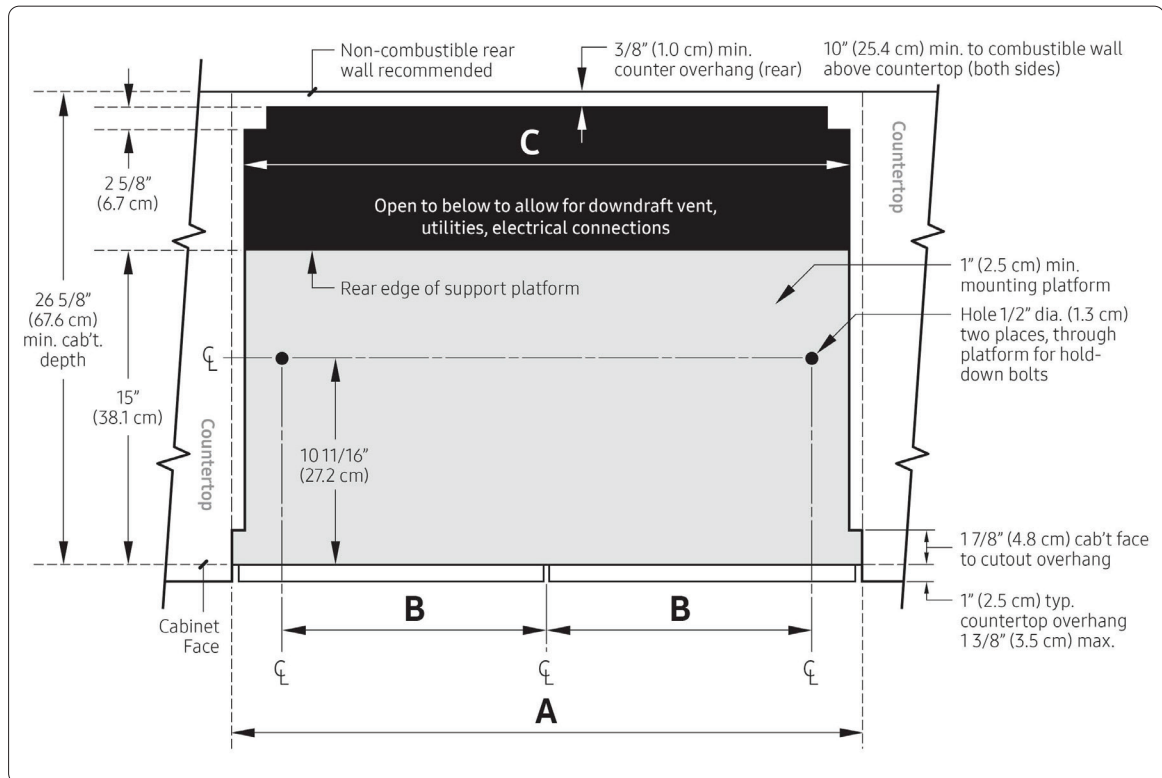


Rangetop Model	A	B	C
DTT36*960	36" (91.4 cm)	35" (88.9 cm)	16 5/8" (42.2 cm)
DTT48*960	48" (121.9 cm)	47" (119.4 cm)	20 13/16" (52.9 cm)

Cabinet/Countertop Cutout Dimensions-With Downdraft Vent (top view)

NOTE

Gas and electrical connections must be routed through the bottom of the rangetop when installed with a downdraft vent.

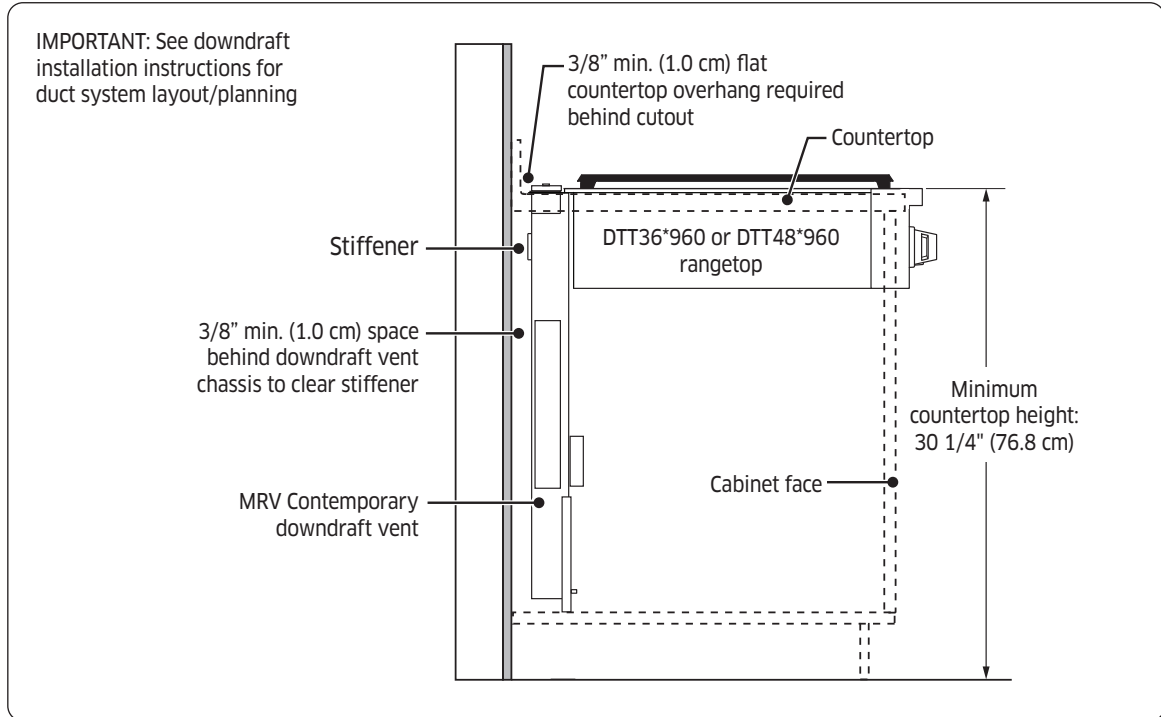


Model	A: Cutout Width	B: Hole Offset	C: Downdraft Vent Cutout	Approved Downdraft Vent Models*
DTT36*960	36" (91.4 cm)	16 5/8" (42.2 cm)	33 1/2" (85.1 cm)	MRV3615M/S
DTT48*960	48" (121.9 cm)	20 13/16" (52.9 cm)	43 1/2" (110.5 cm)	MRV48M/S

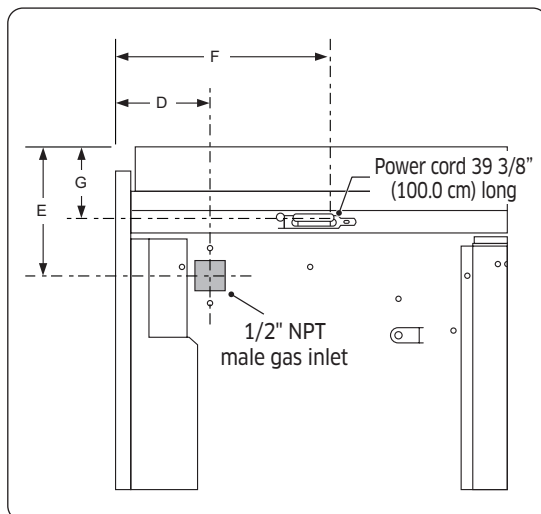
* **IMPORTANT:** Use only the downdraft vent models specified.

Installation Requirements

Cabinet/Countertop-With Downdraft Vent (side view)



Utility Locations and Dimensions (rear)



Dimension	DTT36*960	DTT48*960
D	3 1/2" (8.9 cm)	4" (10.1 cm)
E	4 11/16 (11.9 cm)	4 11/16 (11.9 cm)
F	5 1/8" (13 cm)	19 3/4" (50.1 cm)
G	2 11/16" (6.9 cm)	2 11/16" (6.9 cm)

Gas-Supply Requirements

Provide Adequate Gas Supply

The rangetop operates at a manifold pressure of:

- 5 in. (13 cm) of water column for natural gas/natural-gas-at-high-altitude (NG-H)
or
- 10 in. (25 cm) of water column for LP gas (propane)/LP-gas-at-high-altitude (LP/H).

Ensure your rangetop receives the proper gas. When verifying regulator function, the inlet pressure must be at least 1 in. (2.5 cm) greater than the given operating (manifold) pressure.

The pressure regulator (at the inlet of the rangetop manifold) must stay in the supply line no matter the type of gas used.

NOTE

- Use only the provided regulator, which must be installed in the gas line that runs from the gas inlet to the shut-off valve.
- An external, manual shut-off valve must be installed between the gas inlet and rangetop for turning on/off gas to the appliance.
- Have a qualified technician install the connectors.
- For a new rangetop, never install used connectors, which can leak gas and cause personal injury. Use only new, flexible connectors.

Special Gas Requirements (gas models sold in Massachusetts)

Commonwealth of Massachusetts Requirements

WARNING

- Gas leaks may occur in your system, creating a dangerous condition.
 - Gas leaks cannot always be detected by smell alone.
 - Gas suppliers recommend installing a UL-approved gas detector per manufacturer specifications.
- The rangetop must be installed by a Massachusetts-certified plumber or gas fitter.
- A T-handle manual gas valve **MUST** be installed in the gas-supply line to the rangetop.
- If a flexible gas connector is used, it must be a single length of line.

Installation Requirements

Electrical Requirements

WARNING

- The owner shall verify that the electrical service meets electrical requirements and that the outlet is properly installed by a licensed electrician.
- To reduce risk of fire, electric shock, or personal injury:
 - Do not use an extension cord or adapter plug with the rangetop.
 - The rangetop must be properly grounded.
 - Do not use a damaged power plug or loose wall outlet.
 - Do not modify, remove, or otherwise defeat the plug's grounding (3rd) prong. If you have a 2- prong outlet, or you suspect the outlet is not properly grounded, have a qualified electrician check the circuit and outlet; install the proper outlet if needed.
 - All wiring and grounding must comply with local codes or, in their absence, the National Electrical Code, ANSI/NFPA No. 70 - Latest Revision (US), or the Canadian Electrical Code CSA C22.1 - Latest Revisions and local codes.
 - The wiring diagram is inside the burner box.
 - All gas models are equipped with a power cord with an equipment-grounding conductor and a grounding plug.
 - All gas models in the US and Canada require a 120 V, 60-Hz, AC, approved electrical service with 20-amp circuit breaker or time-delay fuse.
 - NEVER connect ground wire to plastic plumbing lines, gas lines, or water pipes.

NOTE

Re-ignition may malfunction if the voltage between Neutral and Ground is over 20 VAC. Make sure the voltage is under 20 VAC.

CAUTION

Failure to follow these instructions can cause fire, electrical shock, death.

Additional installation requirements for mobile homes:

Installation of appliances designed for mobile-home use must comply with the Manufactured Home Construction and Safety Standard, Title 24 CFR, Part 3280 (formerly the Federal Standard for Mobile-Home Construction and Safety, Title 24, HUD, Part 280) or, when the standard does not apply, the Standard for Manufactured-Home Installations, latest edition (Manufactured-Home Sites, Communities and Setups), ANSI A225.1, latest edition, or with local codes. In Canada, mobile-home installation must comply with the current CAN/CSA Z240/MH Mobile-Home Installation Code.

Installation Instructions

Installing the Rangetop

IMPORTANT

Carefully read these instructions and the Important Safety Instructions (Pg. 5) before installing/ operating the rangetop. Improper installation, adjustment, service, or maintenance can lead to personal injury and property damage. **Product failure due to improper installation is not warrantied.**

NOTE

Only qualified personnel should install the rangetop.

Unpacking the Rangetop

1. Remove all packaging. (Failure to do so could damage the rangetop.)
2. Cross-check all loose parts against the parts list. (See Pg. 12.)
3. Report shipping damage and missing parts to your retailer. Do not install a damaged or incomplete rangetop.

Installing the Rangetop

1. Install any downdraft vent first, per manufacturer instructions.
2. Slide the rangetop into the cutout, and secure it to the support platform with the provided anchor bolts.

Connecting the Gas Supply

1. Shut off the main gas-supply valve before disconnecting the old rangetop.
2. Complete the gas hookup.
3. Open the gas valve, and relight the burners on any other gas appliances.

NOTE

Because hard piping restricts movement of the appliance, use a CSA International-certified flexible metal appliance connector unless local codes require hard piping.

WARNING

Follow the information in this manual exactly to avoid a fire or explosion.

- Do not store or use gasoline or other flammable liquids near the rangetop.
- **IF YOU SMELL GAS:**
 - DO NOT light a match, lighter, or any ignition device.
 - DO NOT light any appliance.
 - DO NOT touch any electrical switch.
 - Evacuate the building.
 - DO NOT use any phone in your building; from a neighbor's phone, immediately call your gas supplier, and follow their directions. (Otherwise, call the fire department.)
- Installation and service must be done by a qualified installer, service agency, or gas supplier.
- Install only the included gas regulator. (Ensure the regulator's arrow points to the appliance.)
- Do not overtighten gas connections and fittings.
- Before use, test the gas lines for leaks. (See Pg. 22.)

Installation Instructions

Connecting the Gas Supply, cont.

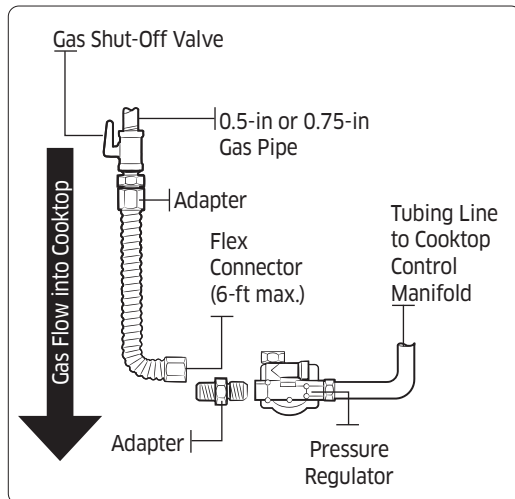
Never install an old connector on a new appliance. For hard piping, carefully align the pipe; the rangetop can-not be moved after the connection is made.

To prevent gas leaks, apply pipe-joint compound or wrap pipe-thread tape with Teflon on all male (external) pipe threads.

1. Attach the provided gas-pressure regulator to the rangetop pipe nipple inlet. (For tight installations, the regulator may be installed upstream from the nipple, anywhere between the shut-off valve and the rangetop. For best performance, minimize gas-pressure loss by attaching the regulator as close as possible to the gas inlet.
2. Complete the connection by installing a flexible gas line between the pressure regulator and the shut-off valve.

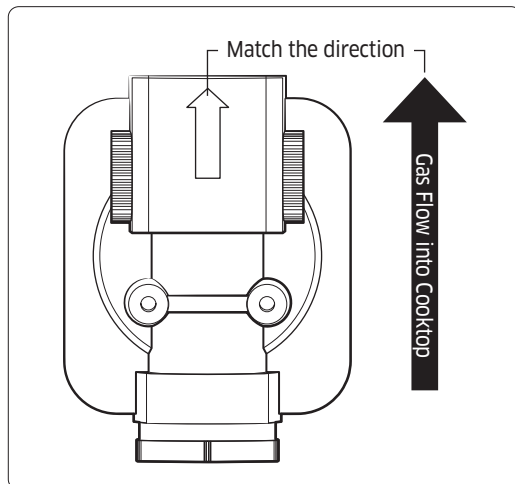
Flexible Connector Hookup

Installer: Inform the consumer of the location of the gas shut-off valve.



NOTE

The gas shut-off valve should be installed on the gas piping, away from the rangetop, easily accessible for quick opening/closing.



NOTE

When connecting the pressure regulator, pay attention to the direction of the pressure regulator. (If it is connected in reverse, the pressure regulator may shut off the gas.)

Checking for Gas Leaks

WARNING

To prevent an explosion/fire hazard possibly leading to personal injury or death, DO NOT use a flame to check for gas leaks. When using pressures above 1/2 psig to test the home gas-supply system, disconnect the rangetop and individual shut-off valve from the supply line. When testing with pressures of 1/2 psig or less, isolate the rangetop by closing the individual shut-off valve.

1. When all connections are made, ensure all rangetop controls are OFF, and turn on the main gas-supply valve.
2. Use a liquid leak detector at all joints.
3. Tighten connections as needed to prevent gas leakage in the rangetop or supply line.

Making the Electrical Connections

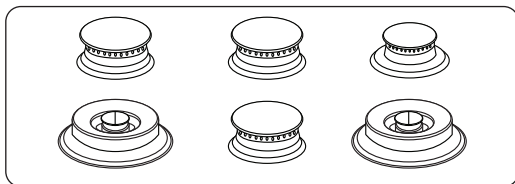
WARNING

- Disconnect power at the main circuit breaker or fuse box before making electrical connections.
 - BEFORE operating/testing, follow the grounding requirements (pg. 20) of this manual. Improper connection of the grounding plug is an electric-shock risk.
 - The electrical system (including power cord) is factory-installed/-wired. Altering any part of this system may cause a short or overload.
1. Plug in the power cord. (Ensure the outlet meets all applicable electrical codes; See Pg. 20.)
 2. After installing the rangetop, check the gas-supply line to verify it was not damaged and remains connected.

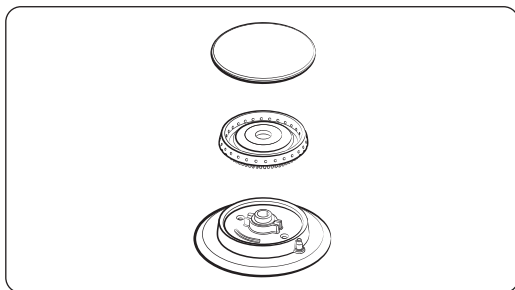
Assembling the Rangetop Burners

CAUTION

- Do not operate the rangetop burners without all burner parts in place.
- To avoid electric shock, do not:
 - push in any burner controls while removing the burner.
 - remove the top or touch the electrode of any burner while another burner is on.

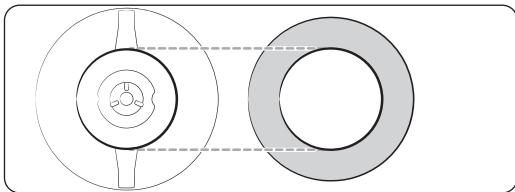
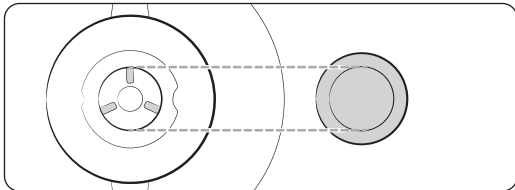
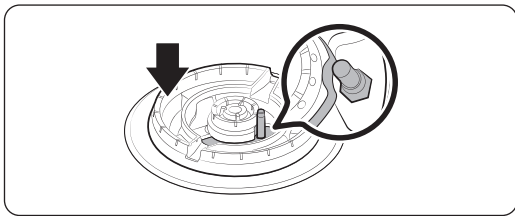
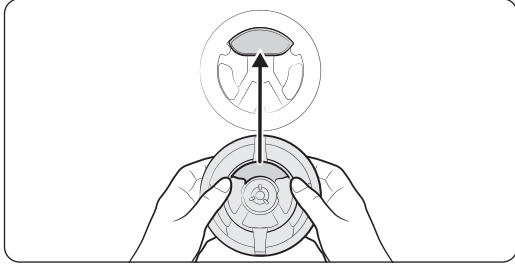


1. Place the burner heads on their bases (see left). The electrodes fit in the slot in the bottom of the heads, which should lie flat.
2. Place the caps on their respective burner heads.



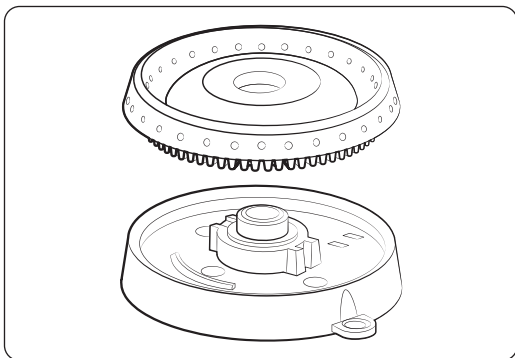
Installation Instructions

Dual Burner Heads/Caps



1. Orient the burner head so the opening for the electrode aligns with the electrode.
2. Install the burner head so the electrode passes through its opening in the head. Ensure the burner head lies flat on the stove top.
3. Size the burner caps to the burners, then install the caps on the heads.

Round Burner Head/Caps



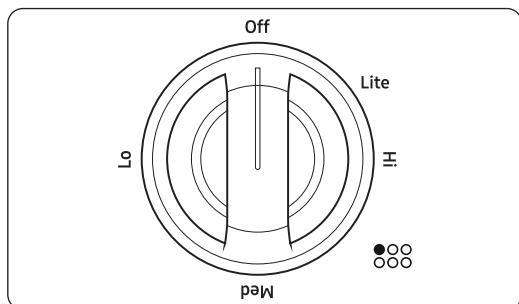
1. Put the burner heads on the burner bases. The bottom of the head fits within the burner base.
2. Twist the head until it drops into place. Twist the head back and forth to verify it is properly seated.
3. Put the burner caps (brass or porcelain) on the burner heads. The ridge around the bottom edge of the cap fits around the top of the burner head.

CAUTION

Burner heads and caps must rest flat on the heads.

Verifying Burner Function

After the cooktop is fully installed and plugged in, make sure all burners work properly.



1. Push-turn a burner knob to the **Lite**. (A “clicking” sound means the electronic ignition system is functional. The burner ignites about 4 seconds later, after air is purged from the line.)
2. After ignition, turn the knob to a setting. (The “clicking” stops; flame height lowers as you turn the knob counterclockwise.)
3. Perform this procedure for each burner.

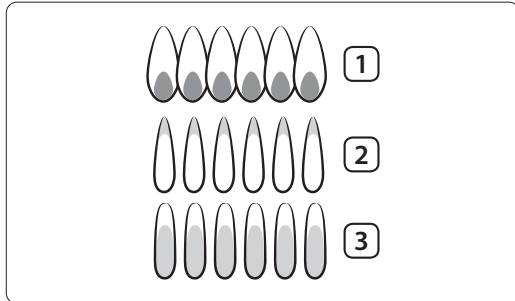
Installation Instructions

Checking Flame Quality

All burner flames must be visually checked to assess their quality.

CAUTION

If you want measure the flame, take care to avoid burn injuries.



1. Soft blue flames—Normal for natural gas.
2. Yellow tips on outer cones—Normal for LP gas.
3. Yellow flames—Abnormal for any gas operation.

NOTE

If the burner flame looks like Ex. 3, call for service, and do not use the rangetop. Ex. 1 or 2 are normal burner flames.

Installing the Grates

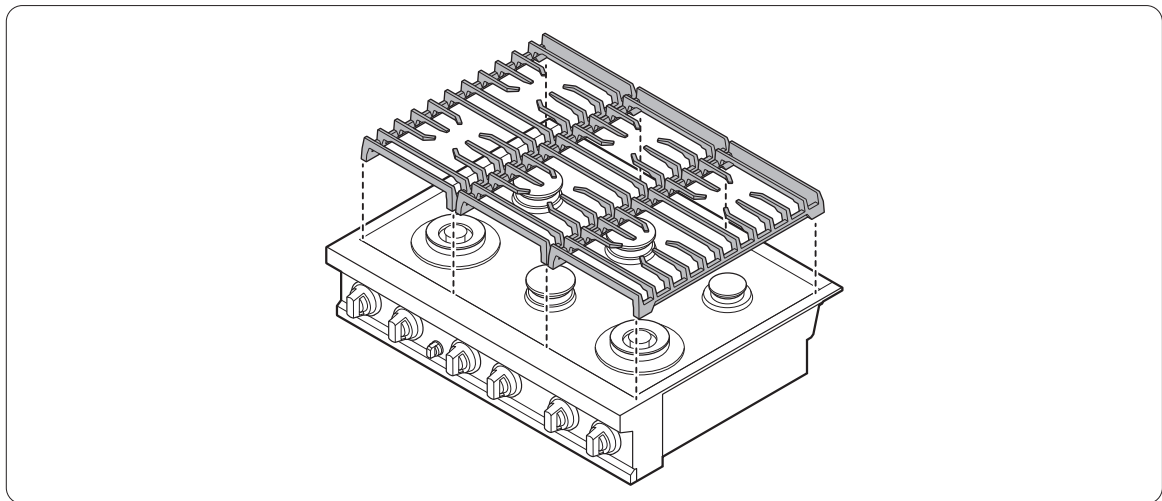
NOTE

For best results and longest life, install the grates as instructed. The grates occupy specific positions on the rangetop and should only be used in those positions. (To help with installation, each grate's position is formed into the bottom of the grate.)

The back of the right-hand grate is notched to help with placement. When installed properly, the openings in the grates are centered over the burners.

To correctly position the grates:

1. Find the notch on the back of the right-hand grate, and carefully lower it until its legs rest in the corresponding dimples on the rangetop.
2. Likewise place the remaining grates so their feet rest in the corresponding dimples.



Final Installation Checklist

After installing the rangetop, ensure all control knobs are OFF. Review this checklist to confirm the rangetop is properly installed and ready to operate.

- The gas line was properly connected to the rangetop.
- The gas was turned on.
- All connections were checked for leaks.
- The rangetop is properly plugged in to a grounded electrical outlet.
- The rangetop burners and grates are properly assembled.
- All burners were tested and function properly.

 **NOTE**

The owner is responsible for having the rangetop properly installed.

dacor



Instrucciones de instalación

Parrilla

DTT48*960**/DTT36*960**



DG68-01476A-00

ADVERTENCIA: No seguir las instrucciones de este manual con exactitud puede provocar un incendio o una explosión causante de daños a la propiedad, lesiones personales o la muerte.

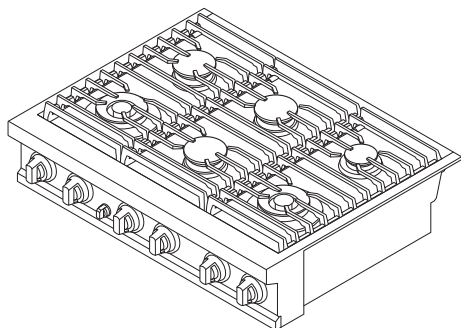
- No guarde ni utilice gasolina u otros productos inflamables cerca de este electrodoméstico.
- SI HAY OLOR A GAS
 - No encienda ningún electrodoméstico.
 - No toque ningún interruptor eléctrico.
 - No utilice ningún teléfono dentro del edificio.
 - Llame inmediatamente al proveedor de gas desde el teléfono de un vecino. Siga las instrucciones del proveedor de gas.
 - Si no puede comunicarse con el proveedor de gas, llame al departamento de bomberos.
- La instalación y el servicio técnico deben ser realizados por un instalador calificado, agencias de servicio técnico o el proveedor de gas.

Contenido

Antes de comenzar	3
Notas importantes	3
Información del Servicio al cliente	4
Instrucciones de seguridad importantes	5
Especificaciones del producto	12
Contenido de la caja	12
Piezas y herramientas necesarias	13
Requisitos de instalación	14
En la preparación	14
Dimensiones generales de la parrilla	15
Dimensiones de corte de la mesada	16
Requisitos para el suministro de gas	20
Requisitos especiales para el gas (modelos a gas vendidos en Massachusetts)	20
Requisitos eléctricos	21
Instrucciones de instalación	22
Instalación de la parrilla	22

Antes de comenzar

Notas importantes



El diseño y/o los accesorios generales pueden variar dependiendo del modelo.

Instalador

- Lea este manual detenidamente antes de la instalación.
- Deje este manual al usuario.
- Escriba los números de serie/modelo de la parrilla en este manual a modo de referencia para el servicio técnico y el mantenimiento.
- Retire todos los materiales de empaque de la parrilla antes de conectarla a los suministros eléctricos y de gas.
- Cumpla con las regulaciones vigentes.
- La instalación requiere habilidades mecánicas básicas.
- El instalador garantiza la instalación correcta.
- La falla del producto debido a la instalación incorrecta no está cubierta por la garantía.
- Asegúrese de que los revestimientos de las paredes alrededor de la parrilla puedan soportar el calor que esta genera.
- Los gabinetes de almacenamiento deben estar al menos a 30 pulgadas (76,2 cm) por sobre los quemadores de la parrilla.

Técnico de servicio

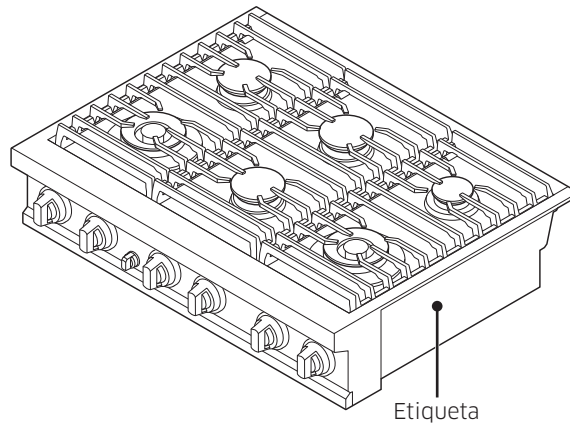
El diagrama eléctrico se adjunta dentro de la caja de los quemadores.

Usuario

- Conserve este manual para referencia personal y profesional.
- Asegúrese de que el personal calificado instale y conecte la parrilla.

Información del Servicio al cliente

Si desea hacer alguna pregunta o tiene un problema con la instalación, comuníquese con su distribuidor de Dacor o con el equipo de Atención al cliente de Dacor. Antes de llamar, tenga a mano los números de serie y modelo de la parrilla (vea la etiqueta de datos, lado derecho de la estructura de la parrilla).



Servicio al cliente de Dacor

1-833-353-5483 (EE. UU.)
Lunes a viernes, de 8:00 a. m. a 8:00 p. m., hora del Pacífico

1-844-509-4659 (Canadá)
Lunes a viernes, de 8:00 a. m. a 8:00 p. m., hora del Pacífico

Instrucciones de seguridad importantes

Lea todas las instrucciones antes de usar este electrodoméstico

- Todos los equipos de gas y eléctricos con piezas móviles pueden ser peligrosos. Lea y siga esta sección detenidamente para minimizar el riesgo de daños a la propiedad, lesiones personales y la muerte.
- Conserve este manual en un lugar accesible para referencia profesional y personal.

Símbolos usados en este manual

Siga estos símbolos e íconos de advertencia explícitamente para evitar daños a la propiedad y lesiones personales.

ADVERTENCIA

Prácticas inseguras o peligrosas que pueden provocar lesiones graves o la muerte.

PRECAUCIÓN

Prácticas inseguras o peligrosas que pueden provocar descargas eléctricas, lesiones personales o daños a la propiedad.

NOTA

Instrucciones y sugerencias útiles.

Advertencia de la Proposición 65 de California (solo para EE. UU.)

ADVERTENCIA

Cáncer y daño reproductivo - www.P65Warnings.ca.gov

Mancomunidad de Massachusetts

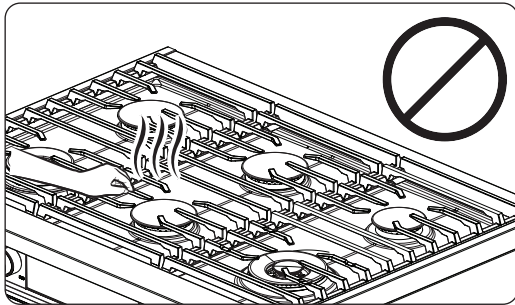
Este producto debe ser instalado por un plomero con licencia o un gasista matriculado o con licencia del Estado de Massachusetts. Cuando se utilicen válvulas de bola para el cierre del gas, se debe usar una manija en forma de "T". No se deben conectar varios conductos flexibles de gas en serie.

Instrucciones de seguridad importantes

Seguridad general

⚠ ADVERTENCIA

Para reducir el riesgo de daño a la propiedad, incendio, lesiones y muerte, respete estas precauciones:



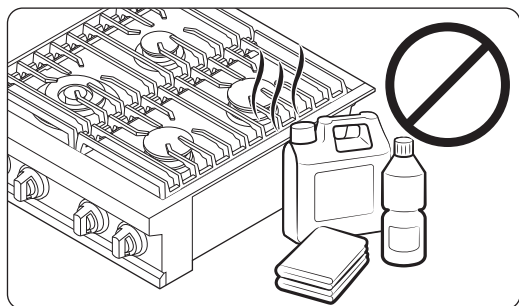
- No toque ninguna parte de la parrilla durante o inmediatamente después de cocinar.
- Aprenda dónde está y cómo cerrar la válvula de entrada de gas de la parrilla.

- No deje que los niños estén cerca de la parrilla ni los deje sin supervisión en la cocina cuando se utilice el artefacto. Dacor recomienda activar la función de traba de controles.
- Retire y deseche todos los materiales de empaque de inmediato. No permita que los niños jueguen con el material de empaque.
- No deje objetos de interés para los niños sobre la parrilla o alrededor de ella.
- No haga funcionar la parrilla si está dañada, si funciona de manera incorrecta o si faltan piezas.
- Utilice únicamente agarradores aislantes secos.
- No caliente recipientes sellados con alimentos en la parrilla.
- Cuando se deshaga de la parrilla, corte el cable de alimentación.
- Desenchufe la parrilla antes de realizar tareas de servicio técnico o de mantenimiento.
- No deje ni guarde material combustible ni líquidos en la parrilla o cerca de ella.
- Indíqueles a los niños que no deben tocar ni jugar con los controles del electrodoméstico ni con ninguna de sus piezas.
- Asegúrese de que toda la carne roja y de ave se cocine completamente. La carne roja siempre se debe cocinar a una temperatura interna de 160 °F (71 °C) y la carne de ave a 180 °F (82 °C).
- No utilice la parrilla como calentador de ambiente.
- Las campanas de estufa o cortina de aire que funcionan dirigiendo el flujo de aire hacia abajo no deben utilizarse junto con una estufa de gas, a menos que la campana y la estufa hayan sido diseñadas y testeadas de acuerdo con la norma para estufas domésticas a gas, ANSI Z21.1 • CSA1.1, y que figuren en la lista de un laboratorio de análisis independiente como aptas para uso combinado.

Seguridad contra incendios

⚠ ADVERTENCIA

Para reducir el riesgo de daño a la propiedad, incendio, lesiones y muerte, respete estas precauciones:



- No almacene/coloque/utilice materiales combustibles (por ej., papel, plástico, agarradores aislantes, ropa de cama, gasolina, alcohol) cerca del artefacto.
- No lleve prendas amplias o colgantes ni accesorios mientras utiliza el artefacto.

- Mantenga los elementos inflamables lejos de los quemadores de la placa de cocción.
- Limpie regularmente las ventilaciones del artefacto.
- No utilice una toalla ni otra tela voluminosa como agarrador aislante.
- No intente apagar un incendio generado por grasa con agua. Por el contrario, apague la fuente de calor y, si fuera necesario, utilice un extinguidor de incendios de polvo químico seco o de espuma para usos diversos.
- No caliente recipientes sellados.

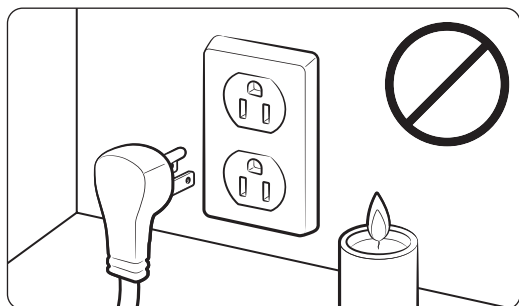
Seguridad del gas

⚠ ADVERTENCIA

Para reducir el riesgo de daño a la propiedad, incendio, lesiones y muerte, respete estas precauciones:

Si hay olor a gas:

- Cierre la válvula y no use la parrilla.
- No encienda cerillos, velas ni cigarrillos, ni encienda ningún artefacto eléctrico o de gas.



- No toque ningún interruptor eléctrico ni enchufe un cable de alimentación.
- No use ningún teléfono dentro del edificio y evacúe el edificio.
- Llame inmediatamente al proveedor de gas desde otro edificio. Siga las indicaciones del proveedor.
- Si no puede comunicarse con el proveedor de gas, llame al departamento de bomberos.

Verificación de pérdidas de gas

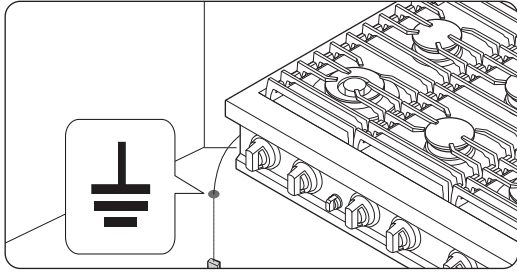
La prueba de pérdidas del electrodoméstico debe realizarse de acuerdo con las instrucciones del fabricante. No utilice una llama para verificar si hay pérdidas de gas. Utilice un cepillo para esparcir una solución de agua jabonosa alrededor del área en cuestión. Si hay una pérdida de gas, aparecerán pequeñas burbujas en la solución.

Instrucciones de seguridad importantes

Seguridad eléctrica y de conexión a tierra

⚠ ADVERTENCIA

Para reducir el riesgo de incendio, descargas eléctricas, lesiones personales y muerte, respete estas precauciones:



- Enchufe el electrodoméstico a un tomacorriente de conexión a tierra de tres clavijas.
 - No retire la clavija de conexión a tierra.
 - No utilice un adaptador ni un alargue.
 - No utilice un enchufe o cable de alimentación dañados ni un tomacorriente flojo.
 - No modifique el enchufe, el cable de alimentación ni el tomacorriente.
-
- No coloque un fusible en el circuito neutral o de conexión a tierra.
 - Utilice un circuito eléctrico dedicado de CA, 120 voltios, 60 Hz, 20 amperes y equipado con fusibles. Se recomienda un fusible de retardo o un disyuntor. Enchufe solo la parrilla a este circuito.
 - No conecte el cable a tierra a cañerías de plomerías de plástico, tuberías de gas o tuberías de agua caliente.
 - La parrilla debe estar conectada a tierra. Si se produce un funcionamiento incorrecto, la conexión a tierra proporciona una vía segura para la corriente. El enchufe con conexión a tierra de la parrilla debe estar conectado firmemente en un tomacorriente que esté correctamente instalado y conectado a tierra de acuerdo con las regulaciones locales. Si no está seguro de si el tomacorriente está conectado correctamente a tierra, un electricista matriculado debe verificarlo.
 - Si los códigos permiten utilizar un cable de conexión a tierra separado, un electricista calificado debe determinar la vía adecuada para este cable a tierra.
 - El servicio eléctrico para la parrilla debe cumplir con los códigos locales. Ante su ausencia, debe cumplir con la versión más reciente de ANSI/NFPA N.º 70 (para los EE. UU.) o con el Código Eléctrico de Canadá CSA C22.1 o sus revisiones más actuales.
 - El propietario de la parrilla debe garantizar que se proporcione un servicio eléctrico adecuado.

Seguridad de la instalación

⚠ ADVERTENCIA

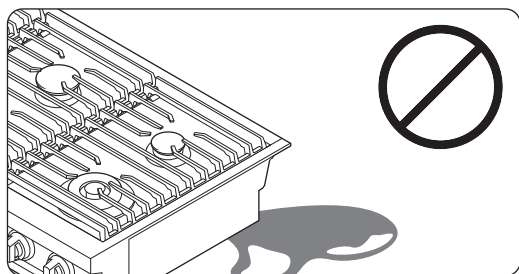
Para reducir el riesgo de incendio, descargas eléctricas, lesiones personales y muerte, respete estas precauciones:

- Instale solo la parrilla en el interior, lejos de lugares donde pueda quedar expuesta al clima, agua, viento y corrientes de aire fuertes.
- Seleccione una ubicación en donde se pueda acceder fácilmente al tomacorriente de conexión a tierra de tres clavijas.
- Si la parrilla se encuentra cerca de una ventana, no cuelgue persianas de papel ni cortinas largas que puedan desplazarse sobre la parrilla.
- Para que la parrilla se ventile de manera adecuada, la ventilación no debe estar bloqueada y debe haber espacio suficiente por todo alrededor. Las ventilaciones permiten la salida de aire necesaria para que el electrodoméstico funcione adecuadamente con la combustión correcta.
- Asegúrese de que los revestimientos de las paredes cerca del electrodoméstico puedan soportar un calor de hasta 200 °F (93 °C).
- No almacene objetos sobre la parrilla. Si dicho almacenamiento es inevitable, deje al menos un espacio libre de 30 pulgadas (76,2 cm) entre la superficie de cocción y la parte inferior de los gabinetes o instale una campana que se proyecte al menos 5 pulgadas (12,7 cm) más allá de la parte inferior del gabinete.

Seguridad de la ubicación

⚠ ADVERTENCIA

Para reducir el riesgo de daño a la propiedad, incendio, lesiones y muerte, respete estas precauciones:



- No instale la parrilla en el exterior o en un lugar en el que esté expuesta al clima/agua o corrientes de aire fuertes/viento.

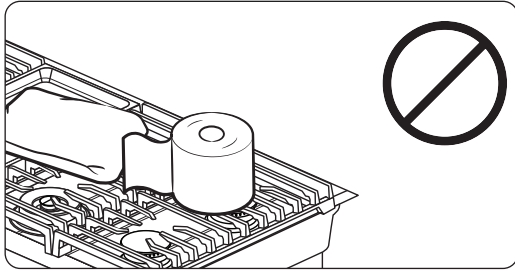
- La parrilla se debe instalar dentro del alcance de un tomacorriente de conexión a tierra de tres clavijas.
- No coloque cortinas que puedan desplazarse sobre la parrilla.
- Para obtener un rendimiento adecuado, la parrilla necesita espacio suficiente alrededor de la estructura.
- Los revestimientos de las paredes alrededor de la unidad deben soportar un calor de hasta 194 °F (90 °C).
- No se recomienda almacenar gabinetes sobre la parrilla. Pero, si fuera inevitable, deje al menos un espacio libre de 30 pulgadas (76,2 cm) entre la superficie de cocción y la parte inferior de los gabinetes.


Instrucciones de seguridad importantes

Seguridad de la parrilla

⚠ ADVERTENCIA

Para reducir el riesgo de incendio, descargas eléctricas, lesiones personales y muerte, respete estas precauciones:



- Apague todos los quemadores cuando no estén en uso.
 - No utilice papel de aluminio para cubrir las rejillas ni ninguna parte de la parrilla.
 - No deje los quemadores sin supervisión en configuraciones de calor medio o alto.
 - Antes de encender los quemadores, asegúrese de que todas las tapas estén correctamente instaladas en su lugar y todos los quemadores estén nivelados.
-
- Use siempre la posición "LITE" (Encender) () para encender los quemadores, luego asegúrese de que enciendan. Si falla el encendido, gire la perilla a "OFF" (Apagado), espere hasta que se disipe el gas y luego, vuelva a intentarlo.
 - Cuando coloque un quemador a fuego lento, gire la perilla lentamente. Asegúrese de que la llama permanezca encendida.
 - Solo coloque utensilios de cocina sobre la parrilla.
 - Flambee alimentos solo debajo de una campana de ventilación.
 - Apague los quemadores y retire inmediatamente los utensilios.
 - Antes de desarmar un quemador, asegúrese de que todos los quemadores estén apagados y que la parrilla esté completamente fría.
 - Después de limpiar el distribuidor del quemador, asegúrese de que esté completamente seco antes de volver a ensamblarlo.
 - Al ensamblar un quemador, alinee la marca de encendido en el distribuidor del quemador dual con el electrodo.
 - No vierta agua en la cuenca de goteo de la parrilla.
 - Use utensilios que estén diseñados para cocinar en la parrilla y que sean lo suficientemente grandes como para cubrir las rejillas del quemador. Ajuste las llamas de los quemadores para que permanezcan debajo de los utensilios de cocina.
 - Para evitar la decoloración, deformación y envenenamiento por monóxido de carbono de los utensilios, no utilice utensilios que sean sustancialmente más grandes que la rejilla.
 - Aleje las manijas de los utensilios de los quemadores de la superficie y el borde delantero de la parrilla.
 - Manténgase lejos de la parrilla al freír.
 - Para freír, caliente el aceite despacio y supervise la operación. Cuando fría alimentos a alta temperatura, supervise detenidamente el proceso de cocción. Si combina grasas y aceites al freír, mézclelos antes de calentarlos.
 - Utilice un termómetro para freidoras de inmersión de ser posible para controlar la temperatura del aceite y use poco aceite.
 - No frite alimentos congelados o parcialmente descongelados que estén aglomerados con hielo.
 - Antes de mover los utensilios llenos de aceite o grasa, asegúrese de que se hayan enfriado por completo.

-
- Para evitar la ebullición eruptiva retrasada, deje que los líquidos calientes permanezcan al menos 20 segundos después de que apague el quemador, de manera que la temperatura del líquido se puede estabilizar. En caso de escaldadura, sumerja la quemadura en agua fría durante al menos 10 minutos, luego cubra con un paño seco y limpio. No aplique cremas, aceites ni lociones.
 - Centre las cacerolas en las rejillas. No coloque una olla que tenga un diámetro superior a 9" en un quemador trasero. Las ollas de gran tamaño pueden impedir el flujo de aire, lo que hace que la flama chisporrotee y se queme de manera ineficiente.
 - No lleve prendas sueltas o colgantes mientras utiliza la parrilla.
 - Nunca deje plástico en la parrilla. El aire caliente ventilado puede derretir, inflamar el plástico o causar una acumulación de presión peligrosa en los recipientes de plástico cerrados.
 - Coloque solo utensilios sobre la parrilla.
 - Descongele y rellene los alimentos en seco antes de freír. La humedad puede hacer que el aceite entre en erupción y se derrame.
 - Siempre asegúrese de que los controles estén en la posición "OFF" (Apagado) y que las rejillas estén frías antes de retirarlas para evitar cualquier posibilidad de quemadura.
 - Manténgase lejos del material combustible de la parrilla.

Especificaciones del producto

Contenido de la caja

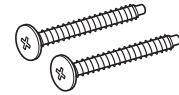
Piezas comunes



Manual

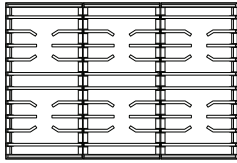


Regulador (1)*

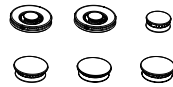


Tornillo (2)

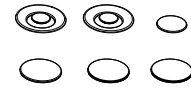
36" DTT36*960



Rejillas para los quemadores de la placa de cocción (3)

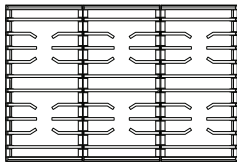


Cabezales de los quemadores (6) y tapas de latón (8)

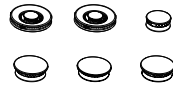


Tapas de porcelana (8)

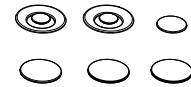
48" DTT48*960



Rejillas para los quemadores de la placa de cocción (3)



Cabezales de los quemadores (6) y tapas de latón (8)



Tapas de porcelana (8)

NOTA

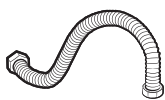
- Verifique que todas las piezas suministradas estén presentes.
- Si la parrilla se dañó durante el envío o las piezas especificadas faltan, comuníquese con su vendedor local. No instale una parrilla incompleta o dañada.
- Las tapas de los quemadores de latón y porcelana se proporcionan para adaptarse a la preferencia del cliente. (Con el uso, el latón perderá el color. Sin embargo, esto no afecta la función pretendida de las tapas).
- Si necesita alguno de los accesorios identificados con un asterisco (*), comuníquese con el Centro de Llamados de Dacor al número que figura en la última página del manual o visite nuestro sitio en línea de repuestos www.dacor.com.

Piezas y herramientas necesarias

Piezas necesarias



Válvula de cierre en la tubería de gas



Conector flexible de metal del electrodoméstico de ½ pulgada (diámetro interior) x 5 pies



Adaptador de unión cónica de ¼ pulgadas (NPT) x ½ pulgada (diámetro interior)



Adaptador de unión cónica de ½ pulgada (NPT) x ½ pulgada (diámetro interior)



Codo de 135 grados (opcional)



Codo de 90 grados (opcional)

Herramientas necesarias



Destornillador de punta plana



Destornillador Phillips



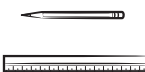
Llave de boca fija o ajustable



Llave Stillson (2)



Llave para tuercas de ¼"



Lápiz y regla



Nivel



Compuesto de unión de tuberías



Navaja multiuso



Solución de agua jabonosa



Pinzas



Sierra de sable

Requisitos de instalación

En la preparación

1. Antes de preparar la abertura en la mesada, verifique que no haya conflicto entre la estructura de la parrilla y cualquier parte del gabinete que se encuentra debajo.
2. Retire los materiales de empaque y los accesorios de la parrilla y verifique que todas las piezas estén presentes antes de comenzar la instalación.

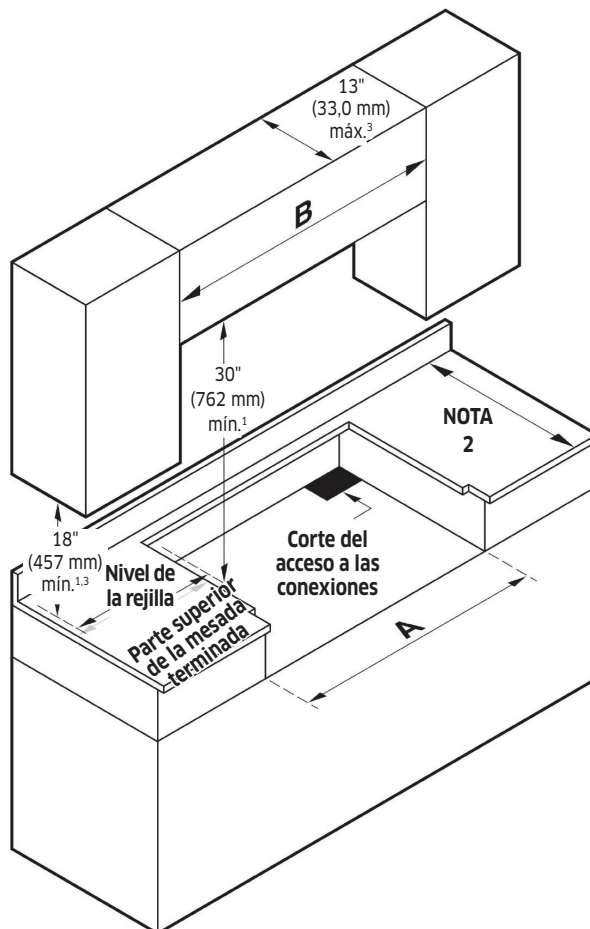
Requisitos de la ubicación

Antes de comenzar la instalación, revise esta sección detenidamente. Estas dimensiones se deben cumplir para obtener un funcionamiento seguro. La ubicación del tomacorriente y la tubería de gas puede ajustarse para cumplir con los parámetros especificados.

PRECAUCIÓN

La parrilla cumple con la temperatura máxima admisible para gabinetes de madera de 194 °F (90 °C). Asegúrese de que el revestimiento de las paredes, las mesadas y los gabinetes de alrededor puedan soportar esta temperatura para evitar alteraciones de color, deslaminación o derretimiento.

Mantenga estas separaciones mínimas



1. Vertical a la superficie combustible desde el nivel de la parrilla. Si instala una campana de ventilación, verifique las especificaciones de la campana para conocer la separación mínima requerida.
2. Consulte las dimensiones de la mesada y el gabinete (vista superior).
3. Esta especificación no corresponde a gabinetes con una distancia horizontal superior a 10" (25,4 cm) desde el borde de la parrilla.

Parrilla	DTT36*960	DTT48*960
A	36" (91,44 cm)	48" (121,9 cm)
B	36" (91,44 cm)* 42" (106,7 cm)**	48" (121,9 cm)* 54" (137,2 cm)**

* Mínimo

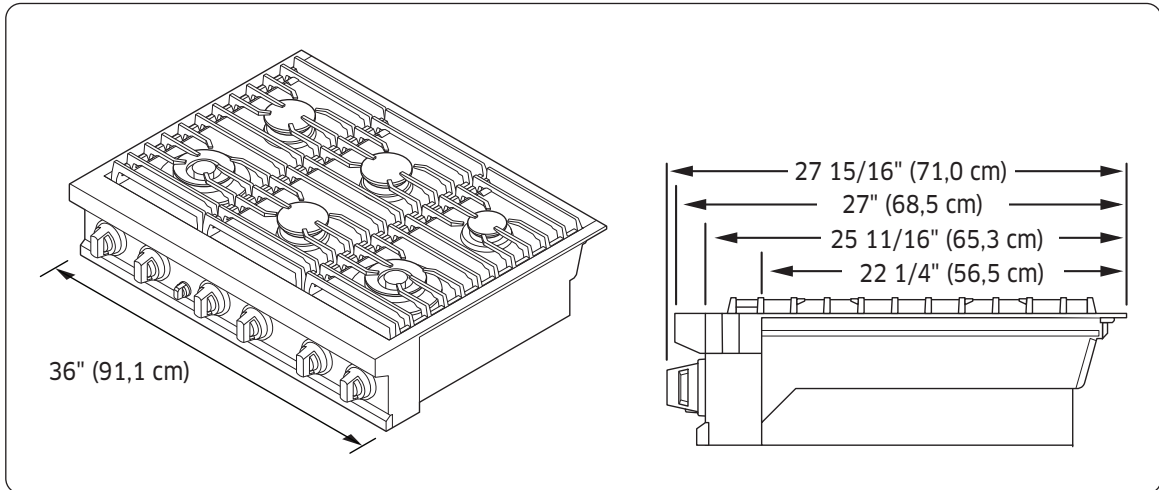
** Recomendado

A: Corte de la parrilla

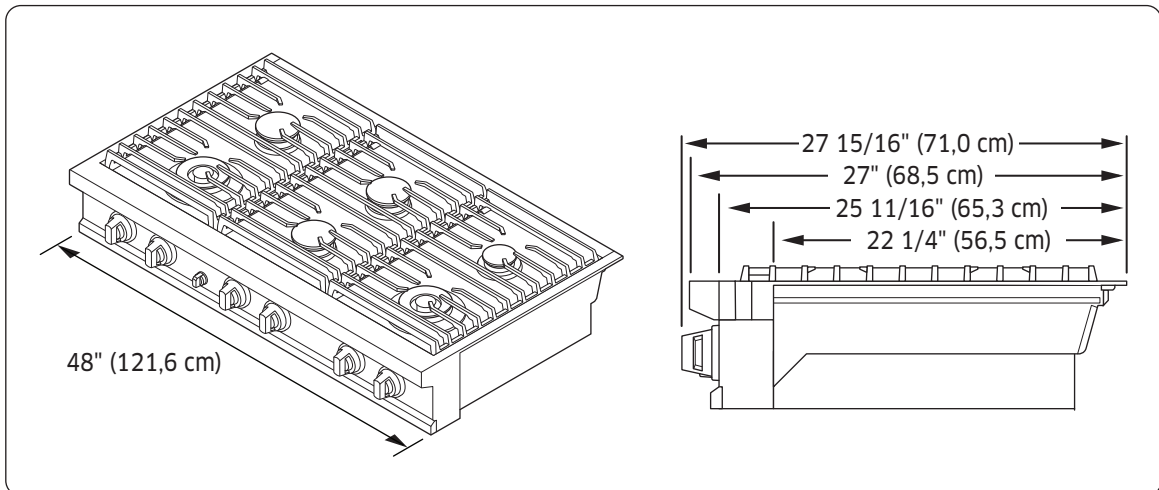
B: Corte de la campana de la estufa

Dimensiones generales de la parrilla

DTT36*960



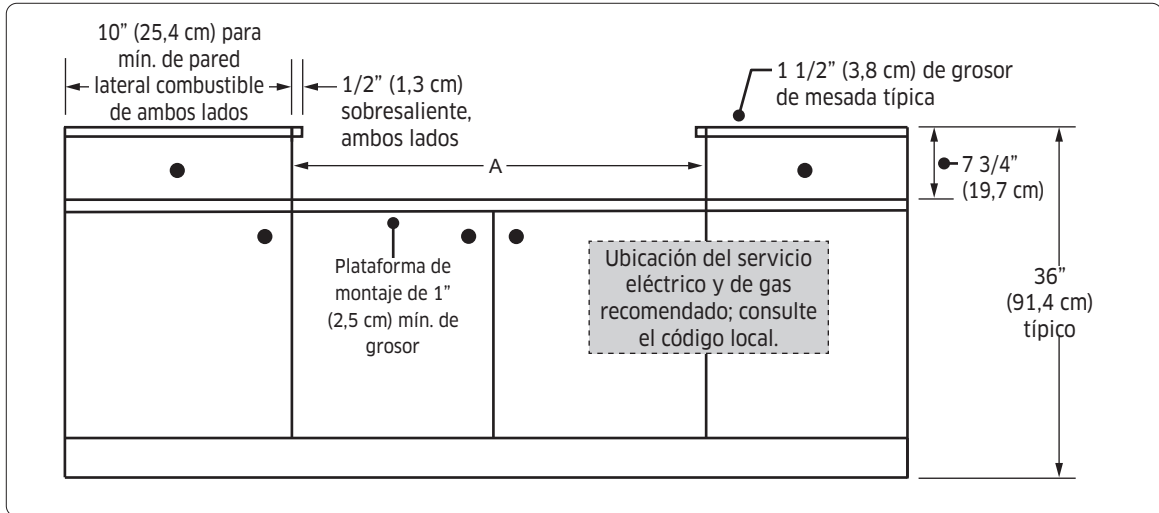
DTT48*960



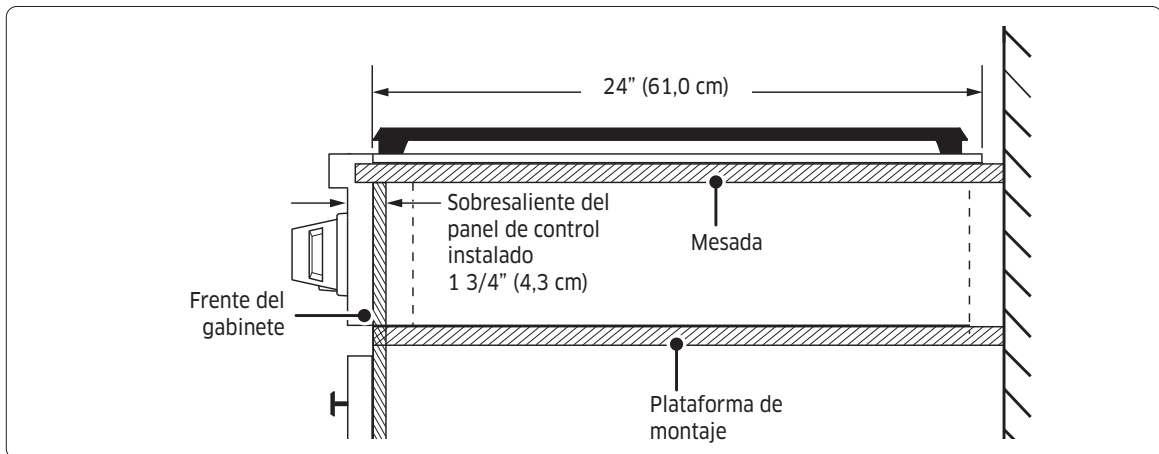
Requisitos de instalación

Dimensiones de corte de la mesada

Dimensiones de la mesada y el gabinete (vista frontal)



Parrilla instalada (vista lateral)



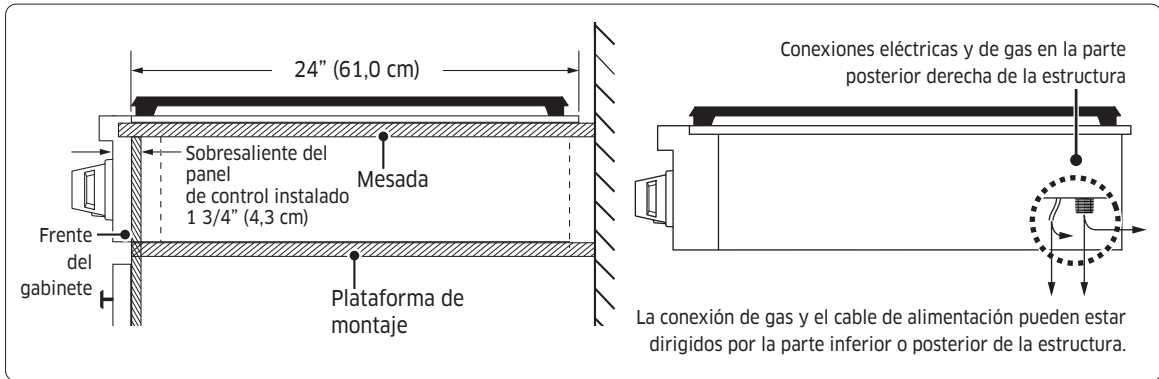
PRECAUCIÓN

Se debe cumplir con las dimensiones de corte. Cualquier amplitud de la dimensión del corte podría crear problemas graves.

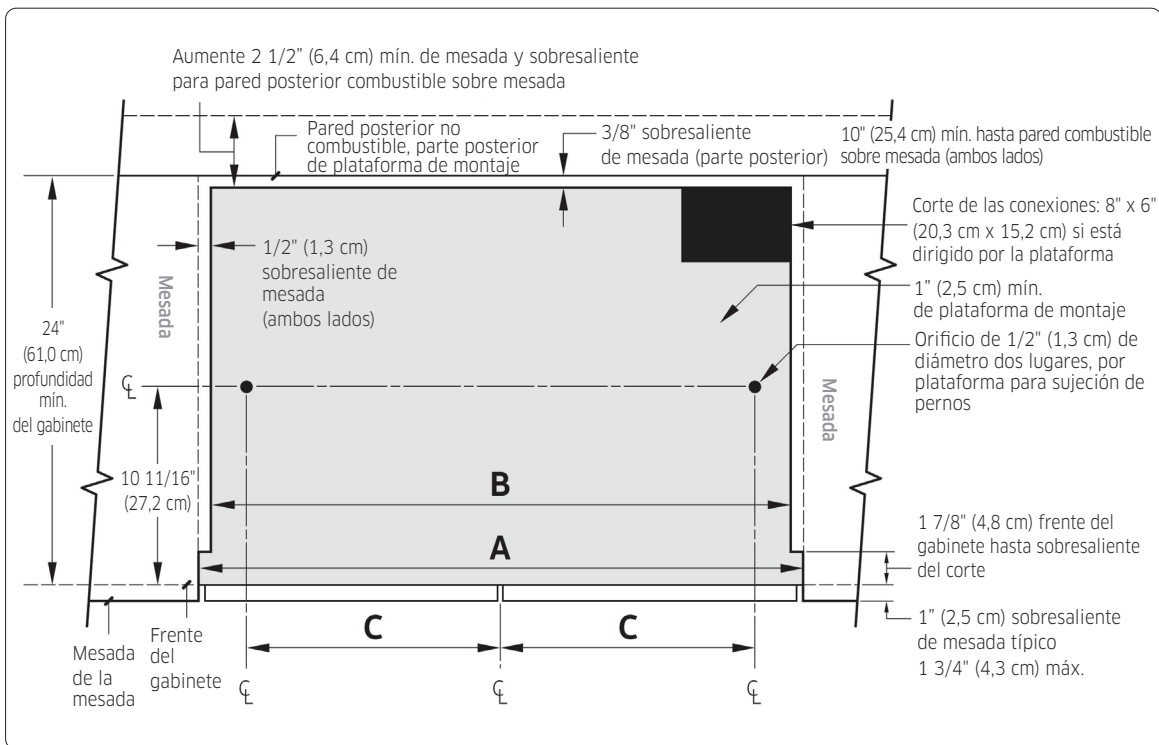
NOTA

Tolerancias del gabinete de +1/16" (+1,6 mm) -0, a menos que se especifique lo contrario.

Parrilla instalada (vista lateral)



Dimensiones de corte de la mesada y el gabinete, sin ventilación de tiro descendente (vista superior)



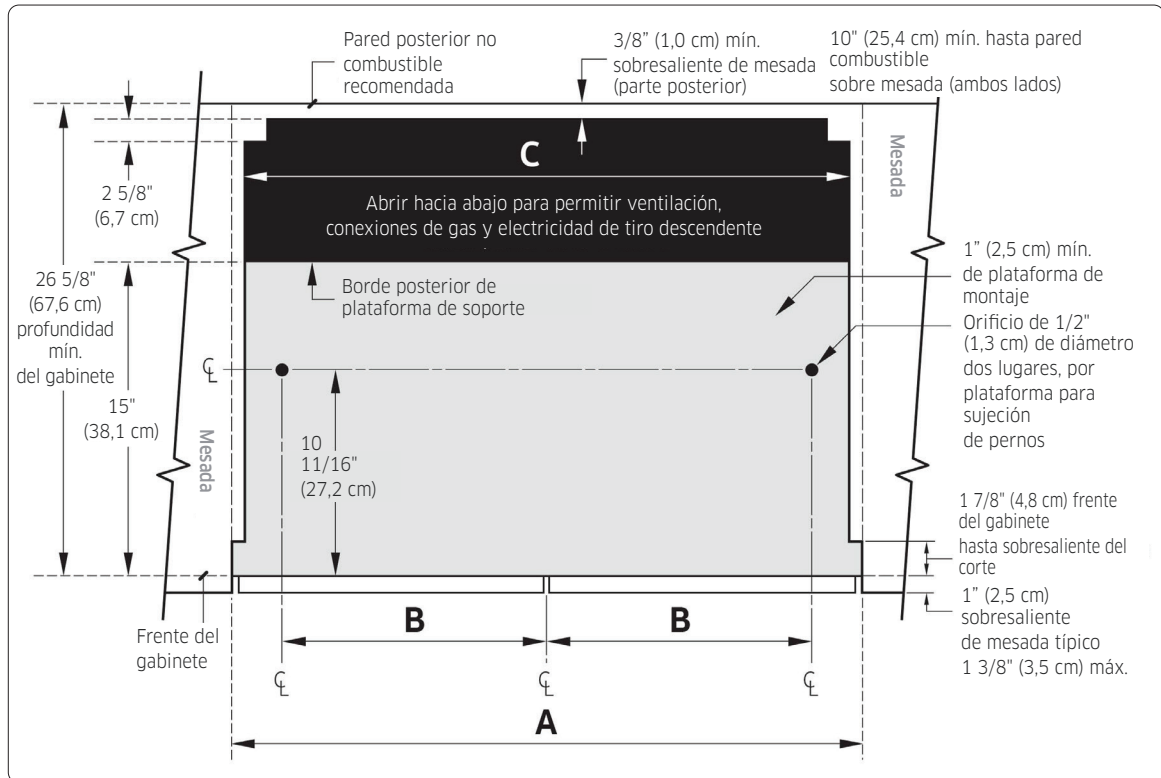
Modelo de la parrilla	A	B	C
DTT36*960	36" (91,4 cm)	35" (88,9 cm)	16 5/8" (42,2 cm)
DTT48*960	48" (121,9 cm)	47" (119,4 cm)	20 13/16" (52,9 cm)

Requisitos de instalación

Dimensiones de corte de la mesada y el gabinete, con ventilación de tiro descendente (vista superior)

NOTA

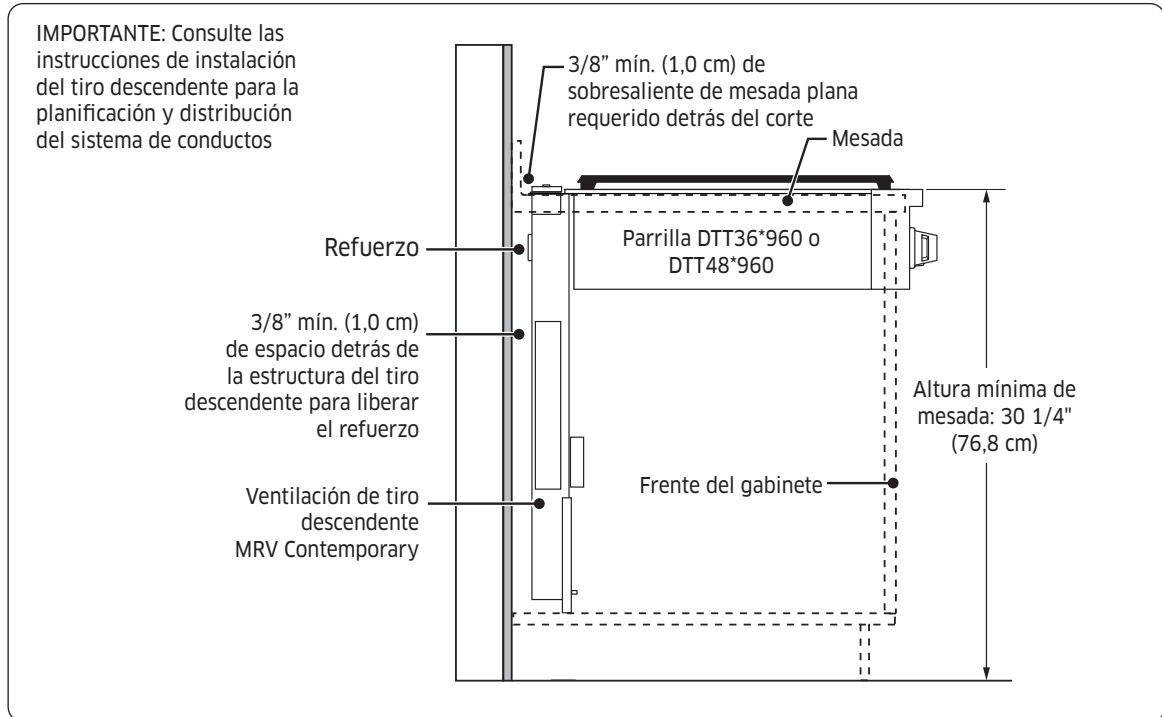
Las conexiones eléctricas y de gas se deben dirigir por la parte inferior de la parrilla cuando se instala con una ventilación de tiro descendente.



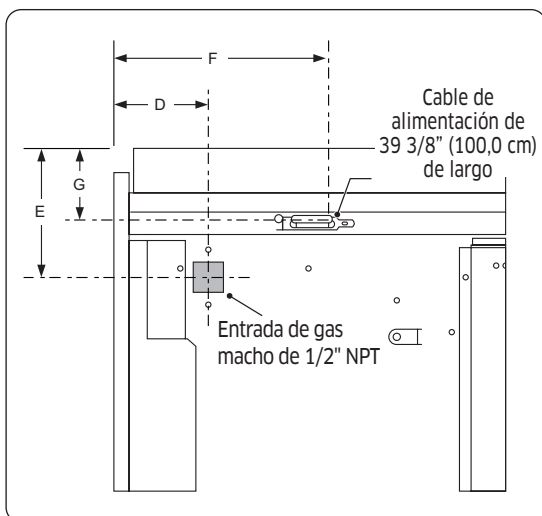
Modelo	A: Ancho del corte	B: Compensación del orificio	C: Corte de la ventilación de tiro descendente	Modelos de ventilación de tiro descendente aprobados*
DTT36*960	36" (91,4 cm)	16 5/8" (42,2 cm)	33 1/2" (85,1 cm)	MRV3615M/S
DTT48*960	48" (121,9 cm)	20 13/16" (52,9 cm)	43 1/2" (110,5 cm)	MRV48M/S

***IMPORTANTE:** Utilice solo los modelos de ventilación de tiro descendente especificados.

Gabinete/mesada, con ventilación de tiro descendente (vista lateral)



Dimensiones y ubicaciones para las conexiones



Dimensión	DTT36*960	DTT48*960
D	3 1/2" (8,9 cm)	4" (10,1 cm)
E	4 11/16" (11,9 cm)	4 11/16" (11,9 cm)
F	5 1/8" (13 cm)	19 3/4" (50,1 cm)
G	2 11/16" (6,9 cm)	2 11/16" (6,9 cm)

Requisitos de instalación

Requisitos para el suministro de gas

Proporcionar suministro de gas adecuado

La parrilla funciona con una presión de colector de:

- 5 pulgadas (13 cm) de columna de agua para el gas natural/gas natural a altitud alta (NG-H) o bien,
- 10 pulgadas (25 cm) de columna de agua para gas LP (propano)/gas LP a altitud alta (LP/H).

Asegúrese de que la parrilla reciba el gas adecuado. Al verificar la función del regulador, la presión de entrada debe ser al menos 1 pulgada (2,5 cm) mayor que la presión de funcionamiento (colector) determinada.

El regulador de presión (en la entrada del colector de la parrilla) debe permanecer en la tubería de suministro, independientemente del tipo de gas usado.

NOTA

- Utilice solo el regulador provisto, que debe instalarse en la tubería de gas que se extiende desde la entrada de gas hasta la válvula de cierre.
- Debe instalarse una válvula de cierre manual externa entre la entrada de gas y la parrilla, con el fin de abrir y cerrar el paso de gas al electrodoméstico.
- Haga que un instalador calificado realice la instalación de los conectores.
- Para las parrillas nuevas, nunca instale conectores usados que puedan perder gas y provocar lesiones personales. Utilice solo conectores nuevos y flexibles.

Requisitos especiales para el gas (modelos a gas vendidos en Massachusetts)

Requisitos de la Mancomunidad de Massachusetts

ADVERTENCIA

- Pueden producirse pérdidas de gas en su sistema, lo que generaría una condición peligrosa.
 - Las pérdidas de gas no siempre se pueden detectar solo por el olor.
 - Los proveedores de gas recomiendan instalar un detector de gas aprobado por UL de acuerdo con las especificaciones del fabricante.
- Un plomero o gasista certificado en el Estado de Massachusetts debe instalar la parrilla.
- Se DEBE instalar una válvula de gas manual con manija en forma de "T" en el conducto de suministro de gas de la parrilla.
- Si se utiliza un conector de gas flexible, debe tener una longitud única de la tubería.

Requisitos eléctricos

ADVERTENCIA

- Es responsabilidad del propietario verificar que el servicio eléctrico cumpla con los requisitos eléctricos y el tomacorriente haya sido correctamente instalado por un electricista autorizado.
- Para reducir el riesgo de incendios, descargas eléctricas o lesiones personales, respete estas precauciones:
 - No utilice un alargue ni un enchufe adaptador con la parrilla.
 - La parrilla debe estar conectada a tierra correctamente.
 - No utilice un enchufe dañado ni un tomacorriente de pared flojo.
 - No modifique, retire ni anule la clavija (3.^ª) de conexión a tierra del enchufe. Si tiene un tomacorriente de 2 clavijas o sospecha que el tomacorriente no está conectado a tierra de manera correcta, haga que un electricista calificado controle el circuito y el tomacorriente. Instale el tomacorriente adecuado si fuera necesario.
 - Todo el cableado y la conexión a tierra deben cumplir con los códigos locales o, en su ausencia, con la versión más reciente del Código Eléctrico Nacional ANSI/NFPA N.º 70 (EE. UU.) o con las versiones más recientes del Código Eléctrico de Canadá CSA C22.1 y los códigos locales.
 - El diagrama de cableado se encuentra dentro de la caja de los quemadores.
 - Todos los modelos a gas están equipados con un cable de alimentación que dispone de un conductor de conexión a tierra para el equipo y un enchufe de conexión a tierra.
 - Todos los modelos a gas en los EE. UU. y Canadá requieren un servicio eléctrico aprobado de 120 V, 60-Hz, CA, con un disyuntor de 20 amperes o un fusible de retardo.
 - NUNCA conecte un cable de conexión a tierra a cañerías de plomería de plástico, tuberías de gas o de agua.

NOTA

El reencendido puede funcionar mal si el voltaje entre Neutro y Tierra es superior a 20 VCA. Asegúrese de que el voltaje sea inferior a 20 VCA.

PRECAUCIÓN

No cumplir con estas instrucciones puede provocar incendios, descargas eléctricas y la muerte.

Requisitos adicionales de instalación para casas rodantes:

La instalación de los electrodomésticos diseñados para casas rodantes debe cumplir con la Norma de Construcción y Seguridad de Casas Prefabricadas, Título 24 CFR, Parte 3280 (denominada anteriormente Norma Federal para la Construcción y la Seguridad de Casas Rodantes, Título 24, HUD, Parte 280) o, cuando no corresponda su aplicación, la versión más reciente de la Norma para Instalaciones en Casas Prefabricadas (lugares para casas prefabricadas, comunidades y armados), la versión más reciente de ANSI A225.1, o los códigos locales. En Canadá, la instalación de casas rodantes debe cumplir con el Código de Instalación de Casas Rodantes CAN/CSA Z240/MH actual.

Instrucciones de instalación

Instalación de la parrilla

IMPORTANTE

Lea detenidamente estas instrucciones y las Instrucciones importantes de seguridad (página 5) antes de instalar o hacer funcionar la parrilla. La instalación, los ajustes, el servicio técnico o el mantenimiento incorrectos pueden causar lesiones personales o daños a la propiedad. **La falla del producto debido a la instalación incorrecta no está cubierta por la garantía.**

NOTA

Solo el personal calificado debe instalar la parrilla.

Desembalar la parrilla

1. Retire todo el empaquetado. (Si no lo hace, podría dañar la parrilla).
2. Coteje todas las piezas sueltas con la lista de piezas. (Consulte la página **13**).
3. Informe daños en el envío y piezas faltantes a su vendedor. No instale una parrilla incompleta o dañada.

Instalación de la parrilla

1. Primero instale toda ventilación de tiro descendente, conforme a las instrucciones del fabricante.
2. Deslice la parrilla en el corte y asegúrela a la plataforma de soporte con los pernos de anclaje proporcionados.

Conexión del suministro de gas

1. Cierre la válvula principal de suministro de gas antes de desconectar la parrilla vieja.
2. Complete la conexión de gas.
3. Abra la válvula de gas y encienda los quemadores nuevamente en cualquier otro artefacto a gas.

NOTA

Debido a que las tuberías rígidas limitan el movimiento del electrodoméstico, use un conector flexible de metal certificado por CSA International para electrodomésticos, a menos que los códigos locales exijan una conexión con tuberías rígidas.

ADVERTENCIA

Cumpla con la información de este manual exactamente a fin de evitar incendios o explosiones.

- No almacene ni utilice gasolina u otros líquidos inflamables cerca de la parrilla.
- **SI HAY OLOR A GAS:**
 - NO encienda cerillos, encendedores ni ningún dispositivo de encendido.
 - No encienda ningún electrodoméstico.
 - NO toque ningún interruptor eléctrico.
 - Evacúe el edificio.
 - NO utilice ningún teléfono dentro del edificio. Llame inmediatamente al proveedor de gas desde el teléfono de un vecino y siga sus indicaciones. (De lo contrario, llame al departamento de bomberos).
- La instalación y el servicio técnico deben ser realizados por un instalador calificado, agencias de servicio técnico o proveedor de gas.
- Instale solo el regulador de gas incluido. (Asegúrese de que la flecha del regulador apunte hacia el electrodoméstico).
- No ajuste las conexiones y los accesorios de gas en exceso.
- Antes de usar, pruebe de que no haya pérdidas en las tuberías de gas. (Consulte la página **23**).

Conexión del suministro de gas (continuación)

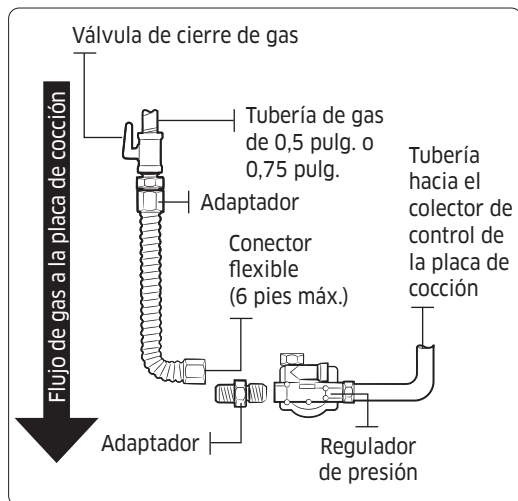
Nunca instale un conector viejo en un electrodoméstico nuevo. Para las tuberías rígidas, alinee cuidadosamente la tubería. La parrilla no se puede mover después de realizar la conexión.

Para evitar fugas de gas, aplique compuesto para unión de tuberías o envuelva con cinta para roscas de tubos con Teflón en todas las roscas macho (externas).

1. Sujete el regulador de presión de gas provisto a la entrada de la boquilla de la tubería de la parrilla. Para las instalaciones ajustadas, el regulador se puede instalar en forma ascendente desde la boquilla, en cualquier lugar entre la válvula de cierre y la parrilla. Para obtener un mejor rendimiento, minimice la pérdida de presión del gas al conectar el regulador lo más cerca posible a la entrada de gas.
2. Complete la conexión al instalar una tubería de gas flexible entre el regulador de presión y la válvula de cierre.

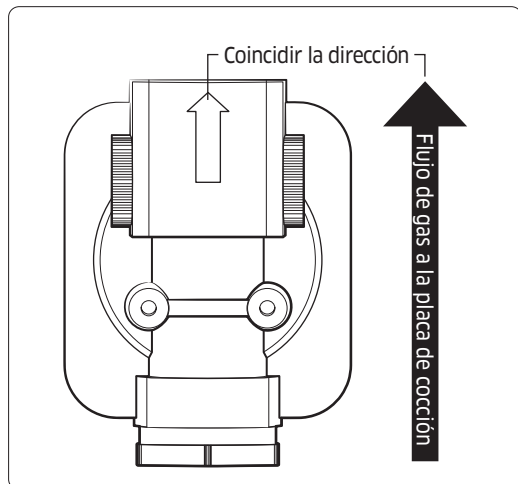
Conexión con conectores flexibles

Instalador: informe la ubicación de la válvula de cierre de gas al consumidor.



NOTA

La válvula de cierre de gas debe estar instalada en la tubería de gas, alejada de la parrilla, en un lugar de fácil acceso para una apertura y cierre rápidos.



NOTA

Cuando conecte el regulador de presión, preste atención a la dirección del regulador de presión. (Si se conecta en reverso, el regulador de presión puede apagar el gas).

Instrucciones de instalación

Verificación de pérdidas de gas

ADVERTENCIA

Para prevenir el riesgo de explosión e incendio que pueda generar lesiones personales o la muerte, NO utilice una llama para verificar la presencia de pérdidas de gas. Cuando se utilicen presiones superiores a 1/2 psig para realizar la prueba del sistema de suministro de gas del hogar, desconecte la parrilla y la válvula de cierre individual de la tubería de suministro de gas. Cuando se realice la prueba con presiones de 1/2 psig o menos, aíse la parrilla al cerrar la válvula de cierre individual.

1. Cuando se hayan realizado todas las conexiones, asegúrese de que todos los controles de la parrilla estén en la posición "OFF" (Apagado) y abra la válvula principal de suministro de gas.
2. Utilice un detector de fugas líquido en todas las juntas.
3. Ajuste todas las conexiones según sea necesario para evitar las fugas de gas en la parrilla o la tubería de suministro.

Realizar la conexión eléctrica

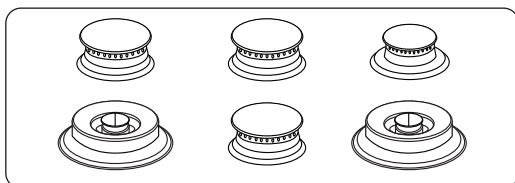
ADVERTENCIA

- Desconecte la electricidad de la caja principal de fusibles o del disyuntor antes de realizar conexiones eléctricas.
 - ANTES de realizar cualquier operación o prueba, siga los requisitos de conexión a tierra (pág. 21) de este manual. La conexión inadecuada de la clavija de conexión a tierra constituye un riesgo de descarga eléctrica.
 - El sistema eléctrico (incluso el cable de alimentación) está instalado y cableado de fábrica. Modificar cualquier parte de este sistema puede provocar un cortocircuito o una sobrecarga.
1. Enchufe el cable de alimentación. (Asegúrese de que el tomacorriente cumpla con los códigos eléctricos aplicables. Consulte la pág. 21).
 2. Después de instalar la parrilla, verifique la tubería de suministro de gas para ver que no haya daños y siga conectada.

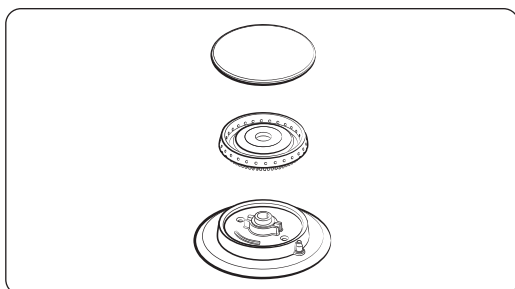
Ensamblar los quemadores de la parrilla

PRECAUCIÓN

- No opere los quemadores de la parrilla si no están todas las piezas en su lugar.
- Para evitar una descarga eléctrica, no realice lo siguiente:
 - No empuje hacia adentro ninguno de los controles del quemador al retirarlo.
 - No retire la parte superior ni toque el electrodo de ningún quemador mientras otro quemador esté encendido.

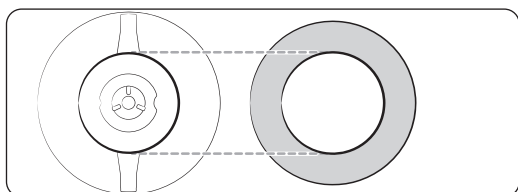
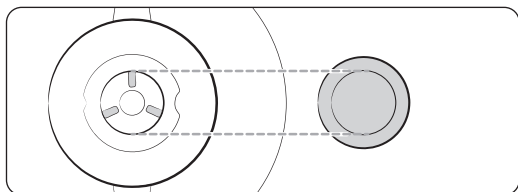
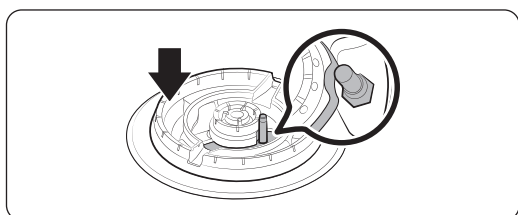
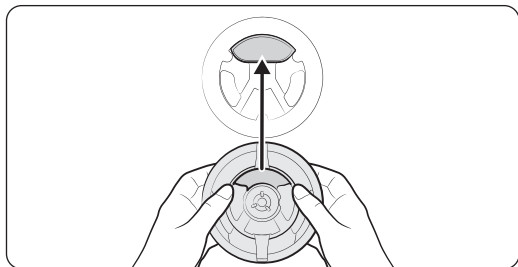


1. Coloque los cabezales de los quemadores sobre sus bases (vea a la izquierda). Los electrodos entran en la ranura que se encuentra en la parte inferior de los cabezales, los cuales deben quedar planos.
2. Coloque las tapas en los cabezales de los respectivos quemadores.



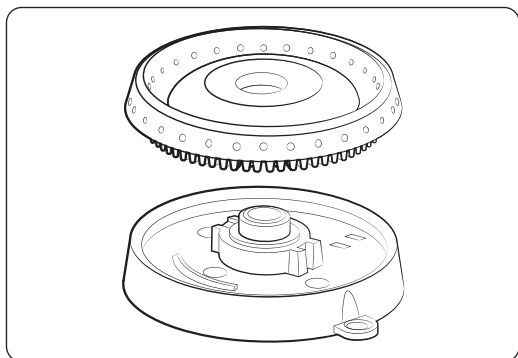
Instrucciones de instalación

Tapas y cabezales de quemadores dobles



1. Oriente el cabezal del quemador de modo que la abertura para el electrodo se alinee con el electrodo.
2. Instale el cabezal del quemador de modo que el electrodo pase por la abertura del cabezal. Asegúrese de que el cabezal del quemador quede plano en la parte superior de la estufa.
3. Dimensione las tapas a los quemadores, luego instale las tapas en los cabezales.

Tapas y cabezales de los quemadores redondos



1. Coloque los cabezales de los quemadores sobre sus bases. La parte inferior del cabezal encaja en la base del quemador.
2. Gire el cabezal hasta que encaje en su lugar. Haga girar cada cabezal ligeramente hacia adelante y hacia atrás para verificar que esté asentado correctamente.
3. Coloque las tapas del quemador (latón o porcelana) sobre los cabezales del quemador. El puente que rodea el borde inferior de la tapa encaja alrededor de la parte superior del cabezal del quemador.

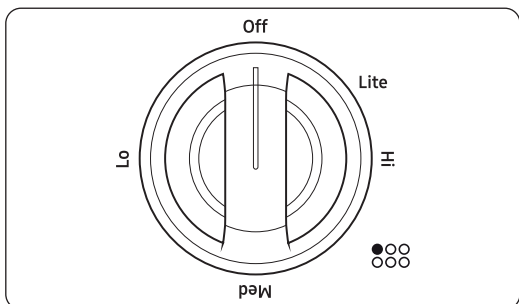


PRECAUCIÓN

Las tapas y los cabezales de los quemadores deben quedar en posición plana sobre los cabezales.

Verificar el funcionamiento de los quemadores

Una vez que la placa de cocción esté completamente instalada y conectada, asegúrese de que todos los quemadores funcionen correctamente.



1. Empuje hacia adentro y gire la perilla del quemador hasta la posición **"Lite" (Encender)**. (Un "chasquido" indica que el sistema de encendido electrónico funciona correctamente. El quemador se enciende unos 4 segundos más tarde, después de que se purga el aire de la tubería).
2. Una vez encendido, gire la perilla hasta la posición deseada. (El "chasquido" se detiene y la altura de la llama baja al girar la perilla hacia la izquierda).
3. Realice este procedimiento para cada quemador.

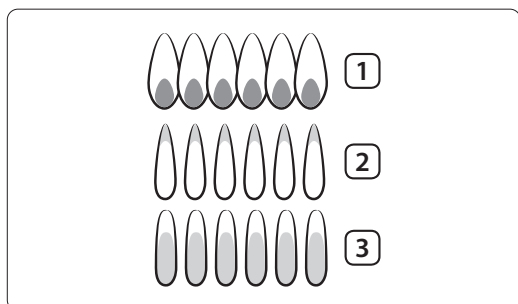
Instrucciones de instalación

Verificación de la calidad de la llama

Se debe verificar visualmente todas las llamas de los quemadores para determinar su calidad.

PRECAUCIÓN

Si desea medir la llama, tenga cuidado para evitar quemaduras.



1. Llamas azules atenuadas: normal con gas natural.
2. Puntas amarillas en los conos exteriores: normal con gas LP.
3. Llamas amarillas: no son normales para ningún tipo de gas.

NOTA

Si la llama del quemador es como la del ejemplo 3, llame al servicio técnico y no use la parrilla. Las llamas normales son como la de los ejemplos 1 o 2.

Instalación de las rejillas

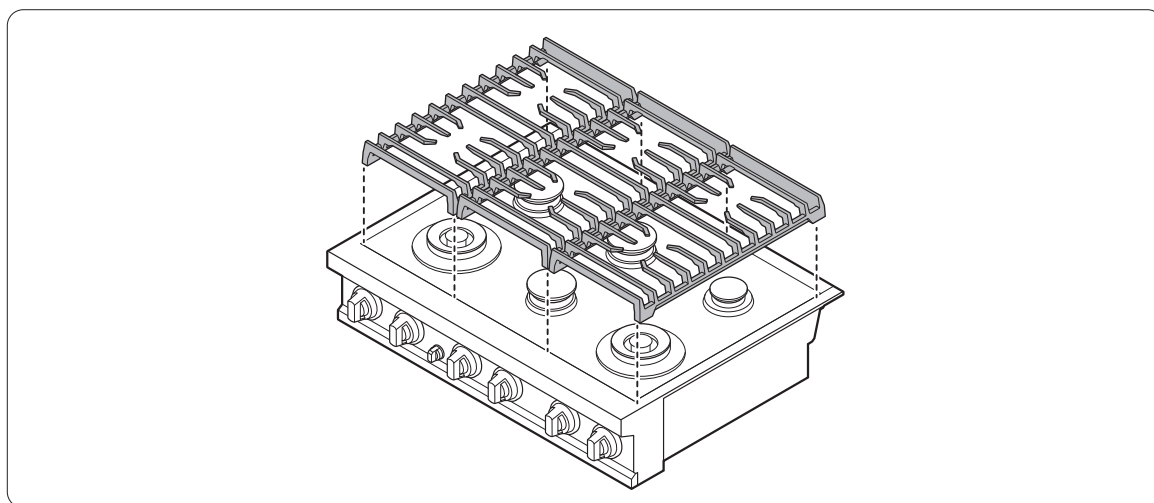
NOTA

Para obtener unos mejores resultados y una mayor vida útil, instale las rejillas según las indicaciones. Las rejillas ocupan posiciones específicas en la parrilla y solo se deben usar esas posiciones. (Para ayudar con la instalación, la posición de cada rejilla está formada en la parte inferior de la rejilla).

La parte posterior de la rejilla derecha tiene una muesca para permitir su colocación. Cuando se coloca correctamente, las aberturas en las rejillas se centran sobre los quemadores.

Para colocar las rejillas correctamente:

1. Busque la ranura en la parte posterior de la rejilla derecha y bájela cuidadosamente hasta que sus patas queden colocadas en las hendiduras correspondientes de la parrilla.
2. Del mismo modo, coloque las rejillas restantes para que las patas queden sobre las hendiduras correspondientes.



Lista de verificación final de la instalación

Después de instalar la parrilla, asegúrese de que todas las perillas de control estén en la posición "OFF" (Apagado). Revise esta lista de verificación a fin de confirmar que la parrilla se haya instalado correctamente y que esté lista para funcionar.

- La tubería de gas se conectó correctamente a la parrilla.
- El suministro de gas está abierto.
- Se verificaron todas las conexiones en busca de pérdidas.
- La parrilla está enchufada correctamente a un tomacorriente eléctrico con conexión a tierra.
- Los quemadores y las rejillas de la parrilla están ensamblados correctamente.
- Todos los quemadores se han probado y funcionan adecuadamente.

NOTA

El propietario es responsable de tener instalada la parrilla adecuadamente.

dacor

dacor

Instructions d'installation

Cuisinière

DTT48*960**/DTT36*960**



DG68-01476A-00

AVERTISSEMENT : Le non-respect de ces instructions peut provoquer des incendies ou des explosions entraînant des dégâts matériels, des blessures ou la mort.

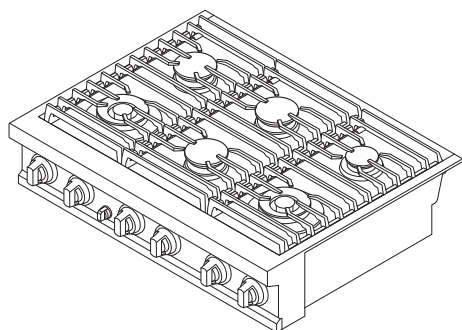
- Ne pas conserver ni utiliser d'essence ou d'autres vapeurs ou liquides inflammables près de cet appareil ou de tout autre appareil.
- **QUE FAIRE SI VOUS SENTEZ UNE ODEUR DE GAZ**
 - Ne mettre aucun appareil en marche.
 - Ne pas toucher aux interrupteurs électriques.
 - N'utiliser aucun téléphone dans votre bâtiment.
 - Appeler immédiatement votre compagnie de gaz avec le téléphone d'un voisin. Suivre les instructions de la compagnie de gaz.
 - Si votre compagnie de gaz n'est pas joignable, appelez les pompiers.
- L'installation et l'entretien doivent être effectués par un installateur qualifié, un organisme de service ou la compagnie de gaz.

Table des matières

Avant de commencer	3
Remarques importantes	3
Informations sur le service client	4
Consignes de sécurité importantes	5
Caractéristiques du produit	12
Contenu de la boîte	12
Pièces et outils nécessaires	13
Conditions d'installation	14
Avant de procéder à l'installation	14
Dimensions globales de la cuisinière	15
Dimensions de la découpe du plan de travail	16
Exigences en matière d'alimentation en gaz	20
Exigences particulières en matière de gaz (modèles à gaz vendus dans le Massachusetts)	20
Exigences électriques	21
Instructions d'installation	22
Installation de la cuisinière	22

Avant de commencer

Remarques importantes



Utilisateur

- Conservez ce manuel pour vous y reporter, que ce soit à titre personnel ou professionnel.
- Veillez à ce qu'un personnel qualifié procède à l'installation et à la mise à la terre de la cuisinière.

La conception générale et les accessoires peuvent varier selon le modèle.

Installateur

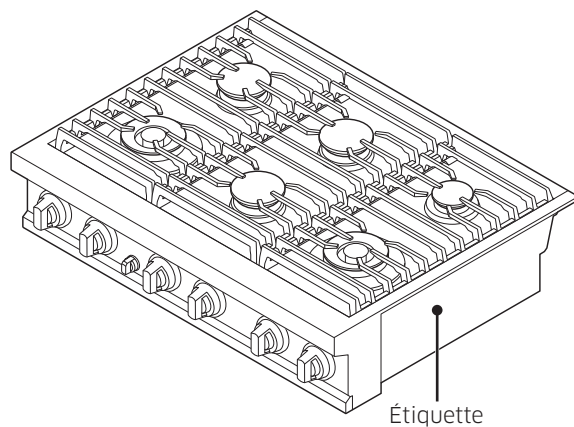
- Lire attentivement ce manuel avant de procéder à l'installation.
- Laisser ce manuel à l'utilisateur.
- Inscrire les numéros de modèle/de série de la cuisinière dans ce manuel pour pouvoir s'y reporter en cas de réparation/d'entretien.
- Retirer tous les emballages de la cuisinière avant de la raccorder à l'alimentation électrique/au gaz.
- Respecter toutes les réglementations en vigueur.
- L'installation requiert des compétences mécaniques de base.
- L'installateur doit veiller à ce que l'installation soit conforme.
- Les problèmes de fonctionnement du produit dus à une installation incorrecte ne sont pas couverts par la garantie.
- Vérifier que les revêtements muraux situés près de la cuisinière peuvent résister à la chaleur qu'elle génère.
- Les éléments de rangement suspendus doivent se trouver à au moins 76,2 cm (30 po) au-dessus des brûleurs de la cuisinière.

Technicien à l'entretien et en réparation

Le schéma électrique se trouve à l'intérieur du boîtier du brûleur.

Informations sur le service client

Pour toute question ou problème lié à l'installation, veuillez communiquer avec votre concessionnaire Dacor ou avec l'équipe d'assistance client de Dacor. Avant d'appeler, préparez les numéros de modèle et de série de la cuisinière (voir l'étiquette de données sur le côté droit du châssis de la cuisinière.)



Service client Dacor

1-833-353-5483 (États-Unis)
Du lundi au vendredi de 08 h 00 à 20 h 00 HNE

1-844-509-4659 (Canada)
Du lundi au vendredi de 08 h 00 à 20 h 00 HNE

Consignes de sécurité importantes

Lire toutes les instructions avant d'utiliser cet appareil

- Tout appareil électrique ou à gaz comportant des pièces mobiles peut être dangereux. Lire attentivement les consignes de cette section et les appliquer afin de minimiser les risques de dégâts matériels, de blessures ou de décès.
- Conserver ce manuel dans un endroit facile d'accès pour s'y reporter à des fins personnelles ou professionnelles.

Symboles utilisés dans ce manuel

Respecter scrupuleusement ces icônes et symboles d'avertissement pour éviter tout risque de dégâts matériels ou de blessures.

AVERTISSEMENT

Risques ou manipulations dangereuses pouvant entraîner des blessures graves ou mortelles.

ATTENTION

Risques ou manipulations dangereuses pouvant entraîner une électrocution, des blessures ou des dégâts matériels.

REMARQUE

Conseils et instructions utiles.

Avertissement relatif à la proposition 65 de la Californie (Etats-Unis uniquement)

AVERTISSEMENT

Cancer et troubles de la fertilité - www.P65Warnings.ca.gov

Commonwealth du Massachusetts

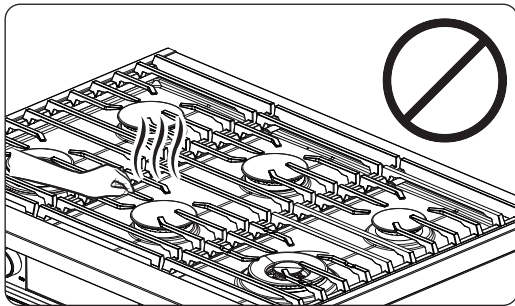
Ce produit doit être installé par un plombier agréé ou un installateur de gaz qualifié ou agréé par l'État du Massachusetts. Lorsque vous utilisez des vannes à bille pour couper le gaz, il faut utiliser le type à poignée en T. Il est interdit de raccorder en série plusieurs conduites de gaz flexibles.

Consignes de sécurité importantes

Sécurité générale

AVERTISSEMENT

Pour réduire les risques de dégâts matériels, d'incendie, de blessures ou de décès :



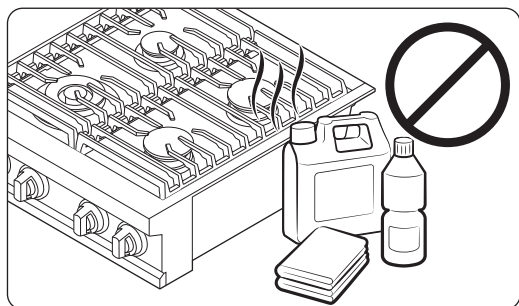
- Ne toucher aucune partie de la cuisinière pendant ou immédiatement après la cuisson.
- Apprendre comment fermer la valve de l'arrivée de gaz de la cuisinière et savoir où se trouve cette valve.

- Ne pas laisser les enfants s'approcher de la cuisinière ni les laisser sans surveillance dans la cuisine lorsque la cuisinière est en marche. Dacor recommande d'activer la fonction de verrouillage des commandes.
- Retirer et jeter immédiatement les emballages. Ne pas laisser les enfants jouer avec les emballages.
- Ne pas laisser d'objets susceptibles d'intéresser les enfants au-dessus ou à proximité de la cuisinière.
- Ne pas utiliser la cuisinière si elle est endommagée, si elle fonctionne mal ou s'il manque des pièces.
- Utiliser uniquement des maniques sèches.
- Ne pas réchauffer de récipients alimentaires fermés sur la cuisinière.
- Avant de jeter la cuisinière, couper le cordon d'alimentation.
- Débrancher la cuisinière avant de procéder à des travaux d'entretien ou de réparation.
- Ne pas laisser ni ranger de matériaux et de liquides combustibles au-dessus ou à proximité de la cuisinière.
- Apprendre aux enfants qu'il ne faut pas toucher les commandes ou toute autre partie de l'appareil, ni jouer avec.
- Veiller à ce que la viande et la volaille soient bien cuites. La viande doit toujours être cuite à une température interne de 71 °C (160 °F) et la volaille à 82 °C (180 °F).
- Ne pas utiliser la cuisinière comme chauffage d'appoint.
- Les rideaux d'air ou les hottes de cuisine qui soufflent l'air vers le bas ne doivent pas être utilisés avec une cuisinière à gaz, à moins que la hotte et la cuisinière ne soient conçues et testées conformément à la norme sur les cuisinières à gaz domestiques, ANSI Z21.1 • CSA1.1, et homologuées par un laboratoire d'essai indépendant pour une utilisation combinée.

Sécurité incendie

⚠ AVERTISSEMENT

Pour réduire les risques de dégâts matériels, d'incendie, de blessures ou de décès :



- Ne pas ranger/placer/utiliser d'articles combustibles (par exemple, papier, plastique, tissus, essence) à proximité de la cuisinière.
- Ne pas porter de vêtements ou d'accessoires amples ou flottants quand vous utilisez la cuisinière.

- Éloignez les articles inflammables des brûleurs de la cuisinière.
- Nettoyer régulièrement les fentes d'aération du four.
- Ne pas utiliser de serviette ou tout autre tissu épais comme manique.
- Ne pas éteindre un feu de graisse avec de l'eau, mais éteindre le brûleur et, si nécessaire, utiliser un extincteur polyvalent, chimique sec ou un extincteur à mousse.
- Ne pas réchauffer des récipients fermés.

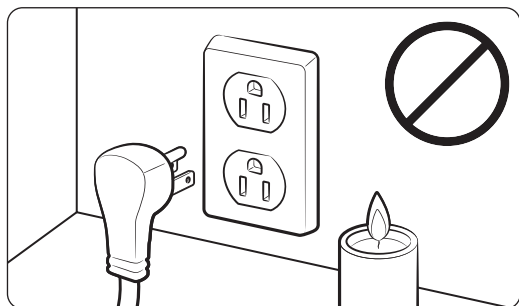
Sécurité en matière de gaz

⚠ AVERTISSEMENT

Pour réduire les risques de dégâts matériels, d'incendie, de blessures ou de décès :

Si vous sentez une odeur de gaz :

- Fermez la valve et n'utilisez pas la cuisinière.
- N'allumez pas d'allumette, de bougie ou de cigarette, et n'allumez pas d'appareils électriques ou à gaz.



- Ne touchez pas les interrupteurs électriques et ne branchez pas le cordon d'alimentation.
- N'utilisez aucun téléphone dans votre bâtiment, et évacuez le bâtiment.
- Appelez immédiatement votre compagnie de gaz avec un téléphone situé dans un autre bâtiment. Suivez les instructions de votre compagnie de gaz.
- Si votre compagnie de gaz n'est pas joignable, appelez les pompiers.

Vérifier qu'il n'y a pas de fuite de gaz

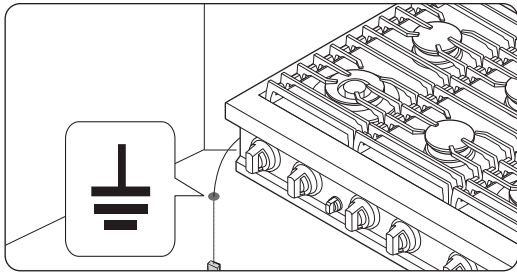
La vérification de la présence de fuites dans l'appareil doit être effectuée conformément aux instructions du fabricant. N'utilisez pas de flamme pour vérifier s'il y a des fuites de gaz. Avec un pinceau, appliquez un mélange d'eau et de savon sur la surface en question. S'il y a une fuite de gaz, il y aura des petites bulles dans l'eau savonneuse.

Consignes de sécurité importantes

Sécurité électrique et mise à la terre

⚠ AVERTISSEMENT

Pour réduire les risques d'incendie, d'électrocution, de blessures ou de décès :



- Brancher l'appareil sur une prise de courant à 3 broches avec mise à la terre.
 - Ne pas retirer la broche de terre.
 - Ne pas utiliser d'adaptateur ou de rallonge.
 - Ne pas utiliser une prise ou un cordon d'alimentation endommagés, ou une prise de courant mal fixée.
 - Ne pas modifier la fiche, le cordon ou la prise d'alimentation.
-
- Ne pas placer de fusible dans un circuit neutre ou de mise à la terre.
 - Utiliser un circuit électrique dédié de 120 volts, 60 Hz, 20 ampères, CA, avec fusible. Un fusible à retardement ou un disjoncteur est recommandé. Brancher uniquement la cuisinière sur ce circuit.
 - Ne pas brancher le fil de terre à des conduites en plastique de plomberie, de gaz ou d'eau chaude.
 - La cuisinière doit être mise à la terre. En cas de mauvais fonctionnement, la mise à la terre constitue un chemin sûr pour le courant. La fiche de mise à la terre de la cuisinière doit être solidement branchée dans une prise bien installée et mise à la terre conformément aux réglementations locales. Si vous n'êtes pas sûr que votre prise soit correctement mise à la terre, faites-la vérifier par un électricien agréé.
 - Si les codes autorisent un fil de terre distinct, un électricien qualifié doit déterminer le chemin approprié pour ce fil de terre.
 - L'alimentation électrique de la cuisinière doit être conforme aux codes locaux. À défaut, elle doit être conforme à la norme ANSI/NFPA no 70 - Dernière révision (pour les États-Unis) ou au code canadien de l'électricité CSA C22.1 - Dernières révisions.
 - Le propriétaire de la cuisinière doit s'assurer qu'il dispose d'un service électrique approprié.

Sécurité de l'installation

⚠ AVERTISSEMENT

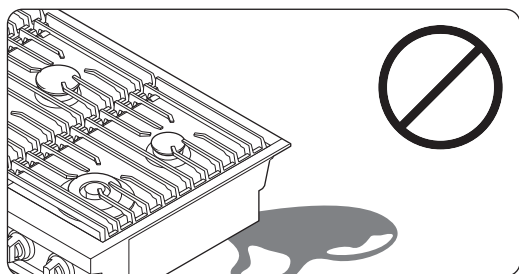
Pour réduire les risques d'incendie, d'électrocution, de blessures ou de décès :

- Installer la cuisinière à l'intérieur, à l'abri des intempéries, de l'eau, du vent et des courants d'air forts.
- Choisir un emplacement où une prise de courant à 3 broches avec mise à la terre est facilement accessible.
- Si la cuisinière se trouve près d'une fenêtre, ne pas accrocher de longs rideaux ou des stores en papier qu'un courant d'air pourrait rabattre sur la cuisinière.
- Pour que la cuisinière puisse être ventilée correctement, les fentes d'aération ne doivent pas être obstruées et il doit y avoir un espace suffisant tout autour. Les fentes d'aération permettent à l'appareil d'évacuer l'air pour pouvoir bien fonctionner et produire une bonne combustion.
- S'assurer que les revêtements muraux situés à proximité de l'appareil peuvent résister à une chaleur de 93 °C (200 °F).
- Il est préférable d'éviter d'avoir des éléments de rangement au-dessus de la cuisinière. S'il n'est pas possible de faire autrement, prévoir un espacement d'au moins 76,2 cm (30 po) entre la surface de cuisson et le dessous de l'élément de rangement, ou installer une hotte qui dépasse d'au moins 12,7 cm (5 po) le dessous de l'élément de rangement.

Sécurité en matière d'emplacement

⚠ AVERTISSEMENT

Pour réduire les risques de dégâts matériels, d'incendie, de blessures ou de décès :



- Ne pas installer la cuisinière à l'extérieur ou dans un endroit où elle sera exposée aux intempéries/à l'eau ou au vent/à de forts courants d'air.

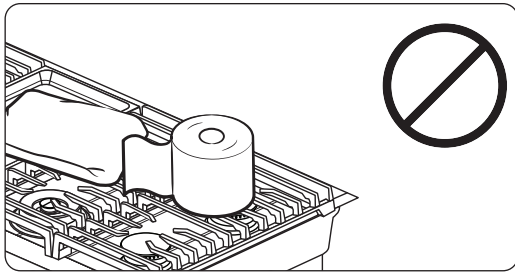
- La cuisinière doit être installée à proximité d'une prise de courant à 3 broches avec mise à la terre.
- Ne pas accrocher de rideaux qu'un courant d'air pourrait rabattre sur la cuisinière.
- Pour un bon fonctionnement, la cuisinière a besoin d'un espace suffisant tout autour du châssis.
- Les revêtements muraux autour de l'unité doivent résister à une chaleur allant jusqu'à 90°C (194°F).
- Il est préférable d'éviter d'avoir des éléments de rangement au-dessus de la cuisinière, mais s'il n'est pas possible de faire autrement, prévoyez un espacement d'au moins 30 po (76,2 cm) entre la surface de cuisson et le dessous de l'élément de rangement.


Consignes de sécurité importantes

Sécurité de la cuisinière

▲ AVERTISSEMENT

Pour réduire les risques d'incendie, d'électrocution, de blessures ou de décès :



- Éteindre tous les brûleurs lorsqu'ils ne sont pas utilisés.
 - Ne pas utiliser de papier aluminium pour recouvrir les grilles ou toute autre partie de la cuisinière.
 - Ne pas laisser les brûleurs sans surveillance à température moyenne ou élevée.
 - Avant d'allumer, s'assurer que tous les chapeaux des brûleurs sont bien en place et que tous les brûleurs sont parfaitement horizontaux.
-
- Utiliser toujours la position LITE () pour allumer les brûleurs, puis vérifier qu'ils s'allument. Si l'allumage échoue, tourner le bouton sur OFF (arrêt), attendre que le gaz se dissipe, puis essayer à nouveau.
 - Pour régler un brûleur sur mijotage, tourner lentement le bouton. S'assurer que la flamme reste allumée.
 - Mettre uniquement les ustensiles de cuisson sur la cuisinière.
 - Faire flamber les aliments uniquement si la hotte de ventilation est en marche.
 - Éteindre les brûleurs puis retirer immédiatement les ustensiles de cuisson des brûleurs.
 - Avant de démonter un brûleur, s'assurer que tous les brûleurs sont éteints et que la cuisinière est complètement refroidie.
 - Après avoir nettoyé le diffuseur du brûleur, vérifier qu'il est parfaitement sec avant de le remettre en place.
 - Au moment d'assembler le brûleur, aligner le repère d'étincelle sur le diffuseur du brûleur double avec l'électrode.
 - Ne pas verser d'eau dans le bac de récupération de la cuisinière.
 - Utiliser des ustensiles de cuisson conçus pour la cuisson sur la cuisinière et veiller à ce qu'ils soient suffisamment grands pour couvrir les grilles des brûleurs. Régler les flammes du brûleur pour qu'elles ne dépassent pas les ustensiles de cuisson.
 - Pour éviter la décoloration ou la déformation des ustensiles de cuisson ou une intoxication au monoxyde de carbone, ne pas utiliser d'ustensiles de cuisson beaucoup plus grands que la grille.
 - Éloigner les poignées des ustensiles de cuisson des brûleurs et du bord avant de la cuisinière.
 - Se tenir à distance de la cuisinière pendant la friture.
 - Faire chauffer les huiles de friture lentement, et les surveiller pendant qu'elles chauffent. Si vous faites frire à feu vif, surveillez attentivement le processus de cuisson. Si vous mélangez des graisses ou des huiles pour la friture, mélangez-les avant de les mettre sur le feu.
 - Si possible, utiliser un thermomètre de friteuse pour surveiller la température de l'huile et utiliser un minimum d'huile.
 - Ne pas faire frire des aliments congelés ou partiellement décongelés qui contiennent des morceaux de glace.
 - Avant de déplacer un ustensile de cuisine rempli de graisse ou d'huile, s'assurer qu'il a complètement refroidi.
 - Pour éviter tout risque de débordement après ébullition, laisser les liquides chauds reposer au moins 20 secondes après avoir éteint le brûleur le temps que leur température se stabilise. En cas de brûlure, plonger la brûlure dans de l'eau fraîche pendant au moins 10 minutes, puis la recouvrir d'un linge propre et sec. Ne pas appliquer de crème/huile/lotion.

-
- Placer les casseroles bien au centre des grilles. Ne pas mettre une casserole de plus de 9 po de diamètre sur un brûleur arrière. Les grandes casseroles peuvent entraver la circulation de l'air, faisant vaciller la flamme et la rendant inefficace.
 - Ne pas porter de vêtements amples ou flottants quand vous utilisez la cuisinière.
 - Ne jamais laisser de plastique sur la cuisinière. L'air chaud soufflé peut faire fondre ou enflammer le plastique ou provoquer une accumulation de pression dangereuse dans les récipients en plastique fermés.
 - Mettre uniquement les ustensiles de cuisson sur la cuisinière.
 - Laisser les aliments décongeler et les essuyer avant de les faire frire. L'humidité peut provoquer des projections d'huile et des débordements.
 - Toujours vérifier que les commandes sont sur OFF (arrêt) et que les grilles sont froides avant de les retirer pour éviter tout risque de brûlure.
 - Ne jamais laisser de matériaux combustibles à proximité de la cuisinière.

Caractéristiques du produit

Contenu de la boîte

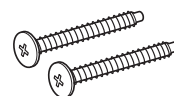
Pièces standard



Manuel

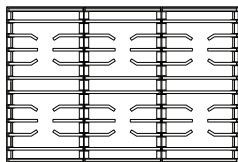


Régulateur (1) *

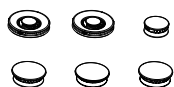


Boulons (2)

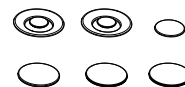
36 po DTT36*960



Grilles des brûleurs de la cuisinière (3)

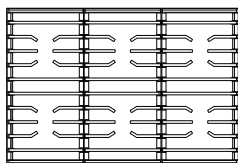


Têtes de brûleur (6) et chapeaux en laiton (8)



Chapeaux en porcelaine (8)

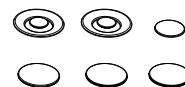
48 po DTT48*960



Grilles des brûleurs de la cuisinière (3)



Têtes de brûleur (6) et chapeaux en laiton (8)



Chapeaux en porcelaine (8)

REMARQUE

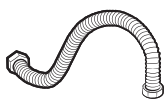
- Vérifier que toutes les pièces fournies sont présentes.
- Si votre cuisinière a été endommagée pendant la livraison ou si des pièces spécifiques sont manquantes, communiquez avec votre revendeur local. Ne pas installer une cuisinière endommagée ou incomplète.
- Des chapeaux de brûleur en porcelaine et en laiton sont fournis suivant les préférences du client. (Le laiton se décolore à l'usage; cependant, la décoloration n'affecte pas la fonction prévue des chapeaux.)
- Si vous avez besoin d'un accessoire marqué d'un astérisque (*), communiquez avec le service d'assistance client de Dacor au 833-353-5483 (États-Unis) ou au 844-509-4659 (Canada), ou allez sur le site www.dacor.com

Pièces et outils nécessaires

Pièces nécessaires



Vanne d'arrêt de la conduite de gaz



Connecteur métallique flexible pour appareils ménagers ½ po (diamètre intérieur) x 5 pi



Adaptateur pour raccord évasé ¾ po (NPT) x ½ po (diamètre intérieur)



Adaptateur pour raccord évasé ½ po (NPT) x ½ po (diamètre intérieur)



Coude à 135 degrés (en option)



Coude à 90 degrés (en option)

Outils nécessaires



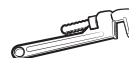
Tournevis plat



Tournevis cruciforme



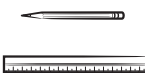
Clé ouverte ou réglable



Clé à tuyau (2)



Tournevis à écrou ¼ po



Crayon, règle



Niveau



Composé pour joints de tuyaux



Couteau universel



Eau savonneuse



Pince



Scie sauteuse

Conditions d'installation

Avant de procéder à l'installation

1. Avant de découper l'ouverture dans le plan de travail, vérifier qu'il n'y aura pas de chevauchements entre le châssis de la cuisinière et tout ce qui se trouve dans l'élément de rangement situé en dessous.
2. Retirer tous les matériaux d'emballage et les accessoires de la cuisinière, et vérifier que tous les composants sont présents avant de procéder à l'installation.

Exigences relatives à l'emplacement

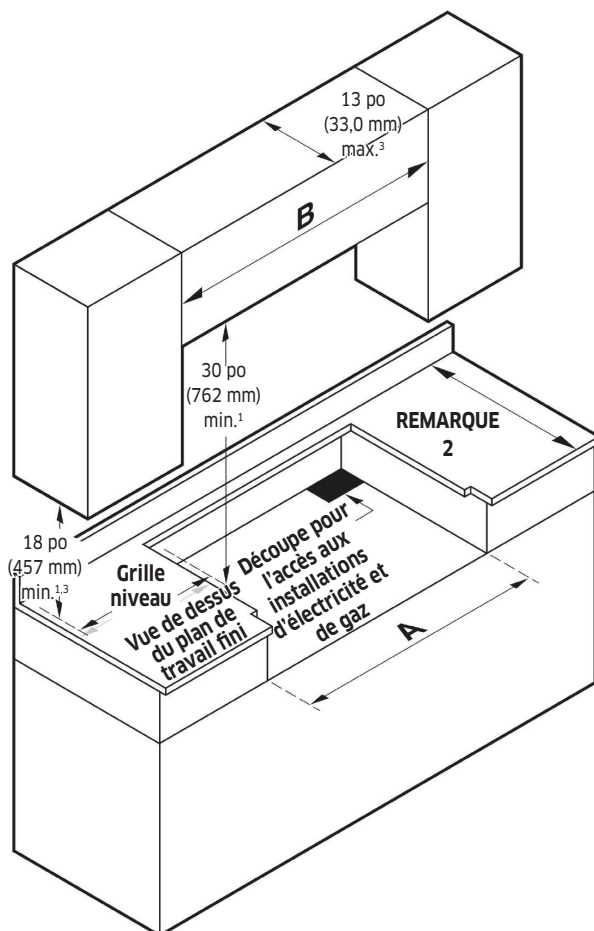
Avant de procéder à l'installation, lire attentivement cette section. Ces dimensions doivent être respectées pour une utilisation sans danger. L'emplacement de la prise électrique et de la tuyauterie de gaz peut être ajusté pour respecter les valeurs indiquées.

⚠ ATTENTION

La cuisinière est conforme à la température maximale autorisée pour les éléments de rangement en bois, soit 90 °C (194 °F).

S'assurer que le revêtement mural, les plans de travail et les éléments de rangement autour peuvent supporter cette température pour éviter la décoloration, le délaminage ou la fonte.

Respecter ces distances minimales



1. Verticalement par rapport à la surface combustible en partant du niveau de la grille de la cuisinière; si vous installez une hotte de ventilation, consultez les spécifications de la hotte pour connaître les distances minimales requises.
2. Voir les dimensions de l'élément de rangement/du plan de travail -Vue de dessus.
3. Cette spécification ne s'applique pas aux éléments de rangement situés à une distance horizontale de plus de 10 po (25,4 cm) du bord de la cuisinière.

Cuisinière	DTT36*960	DTT48*960
A	36 po (91,44 cm)	48 po (121,9 cm)
B	36 po (91,44 cm)* 42 po (106,7 cm)**	48 po (121,9 cm)* 54 po (137,2 cm)**

* Minimum

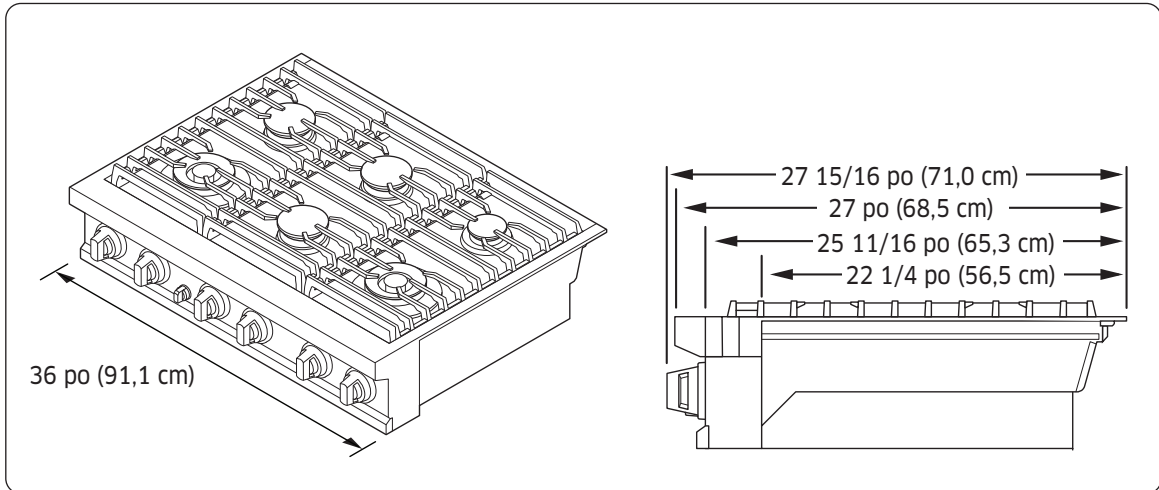
** Recommandé

A : Découpe de la cuisinière

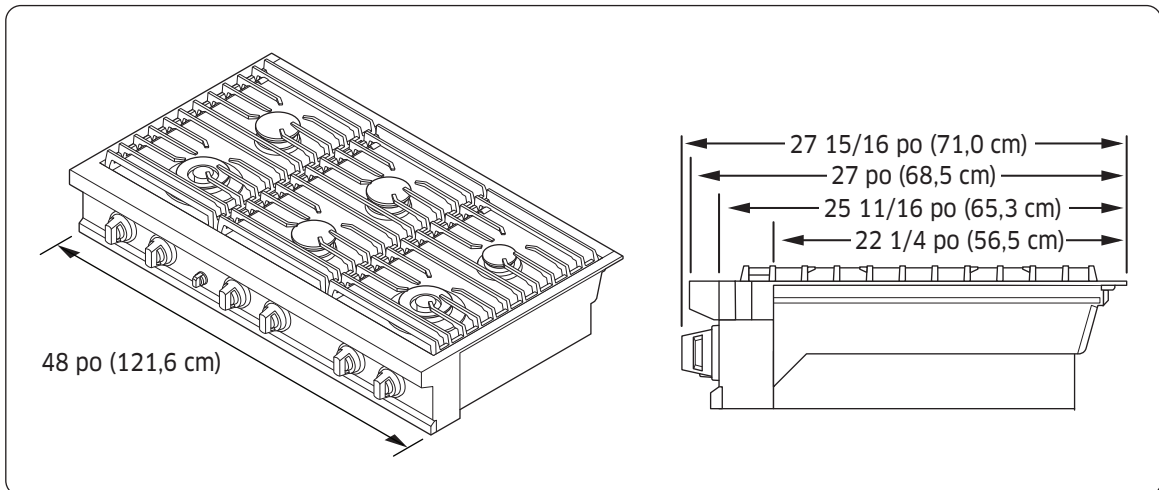
B : Découpe de la hotte

Dimensions globales de la cuisinière

DTT36*960



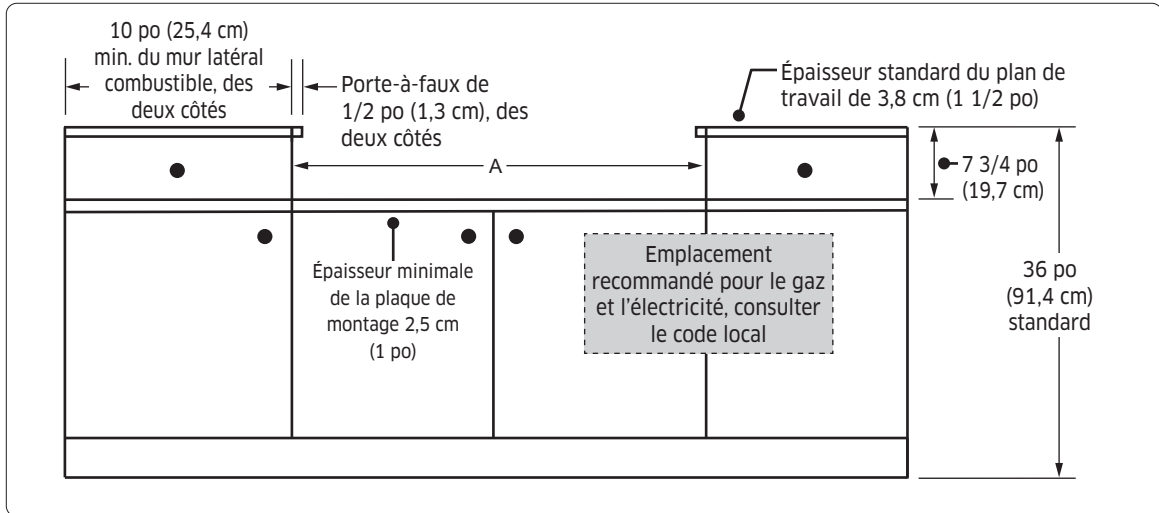
DTT48*960



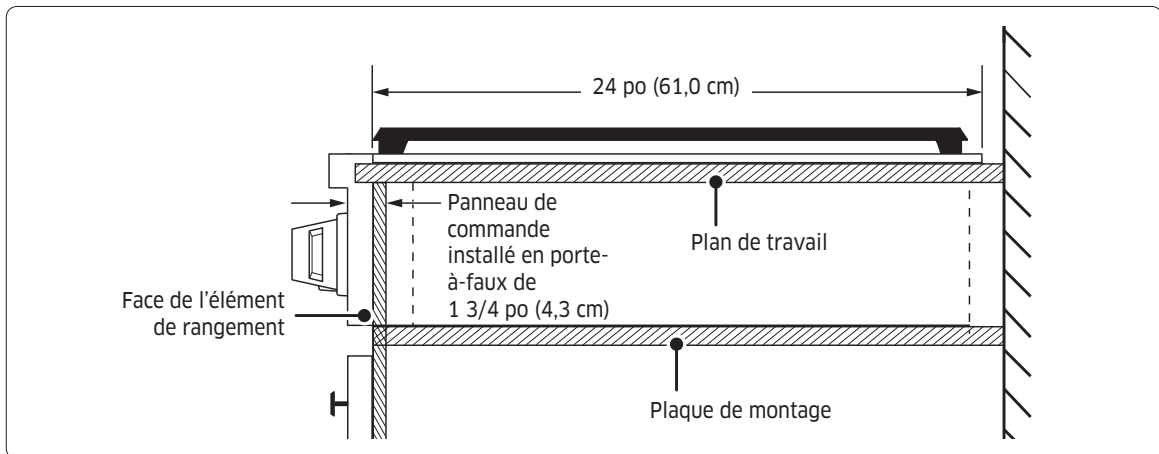
Conditions d'installation

Dimensions de la découpe du plan de travail

Dimensions de l'élément de rangement/du plan de travail (vue de face)



Cuisinière installée (vue latérale)



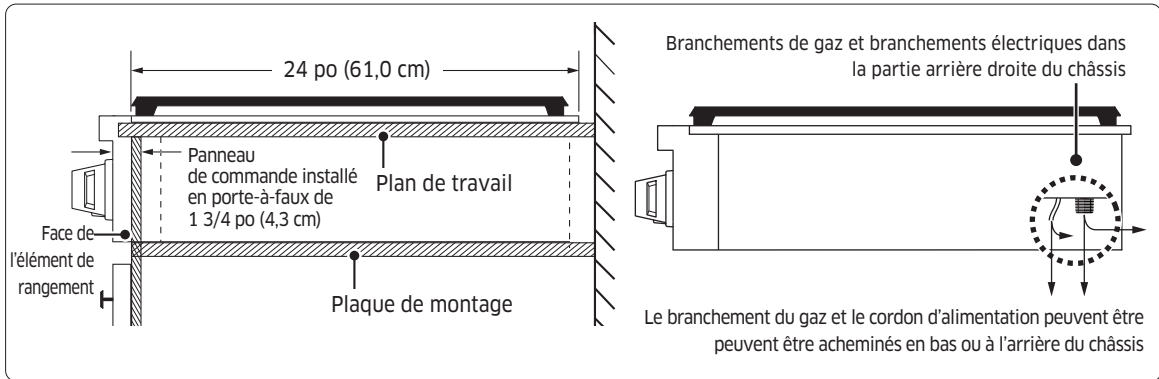
ATTENTION

Les dimensions des découpes doivent être respectées. Tout dépassement pourrait créer de graves problèmes.

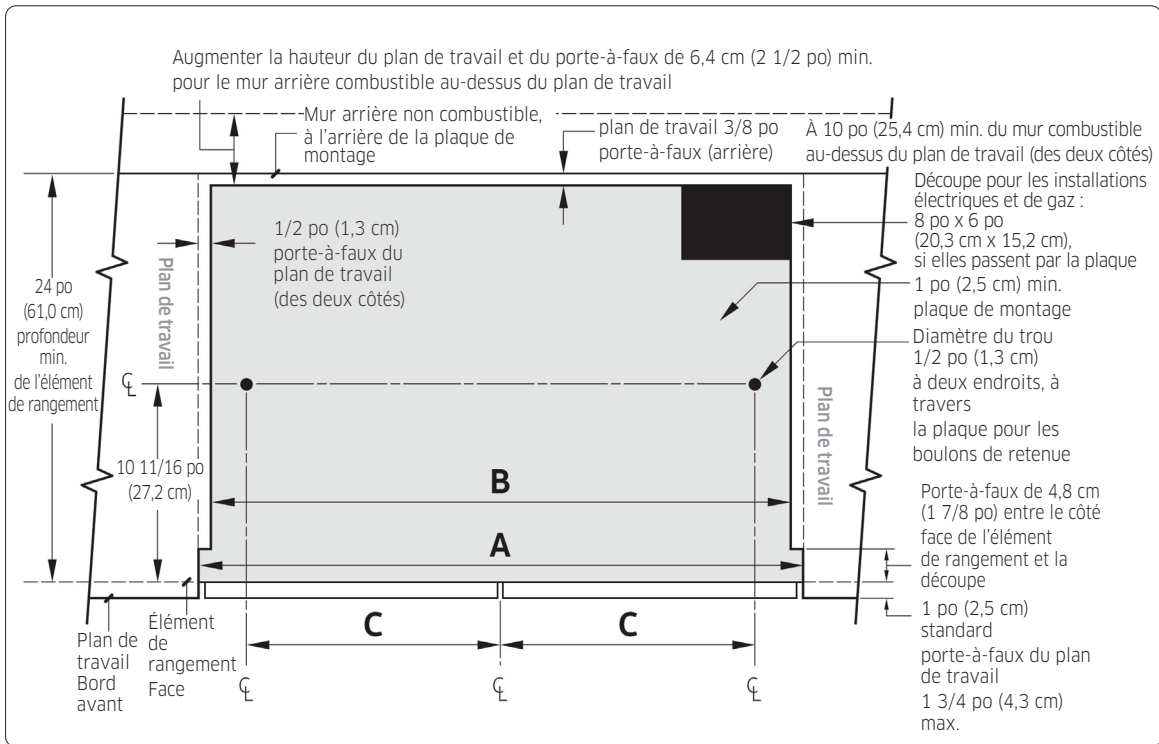
REMARQUE

Tolérances de l'élément de rangement + 1/16 po (+ 1,6 mm) - 0 sauf indication contraire.

Cuisinière installée (vue latérale)



Dimensions de la découpe de l'élément de rangement et du plan de travail - sans ventilation par aspiration descendante (vue de dessus)



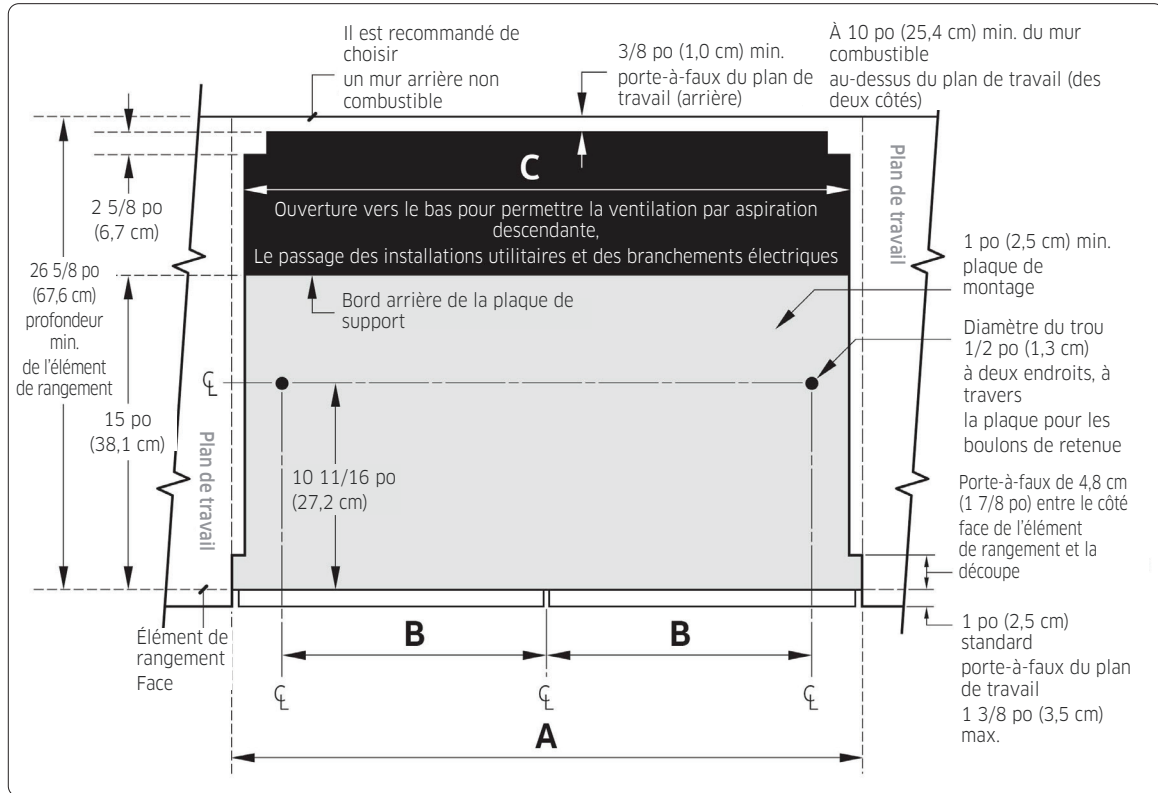
Modèle de cuisinière	A	B	C
DTT36*960	36 po (91,4 cm)	35 po (88,9 cm)	16 5/8 po (42,2 cm)
DTT48*960	48 po (121,9 cm)	47 po (119,4 cm)	20 13/16 po (52,9 cm)

Conditions d'installation

Dimensions de la découpe de l'élément de rangement et du plan de travail - avec ventilation par aspiration descendante (vue de dessus)

REMARQUE

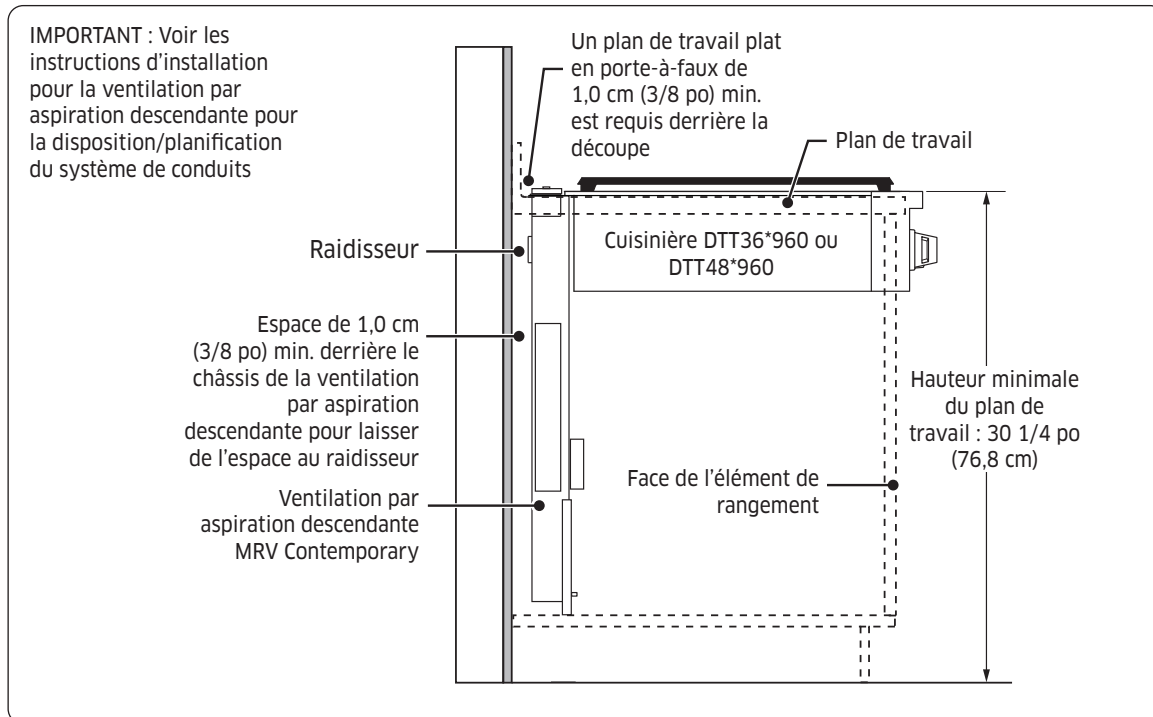
Les raccordements de gaz et d'électricité doivent être passés par le bas de la cuisinière lorsqu'elle est installée avec ventilation par aspiration descendante.



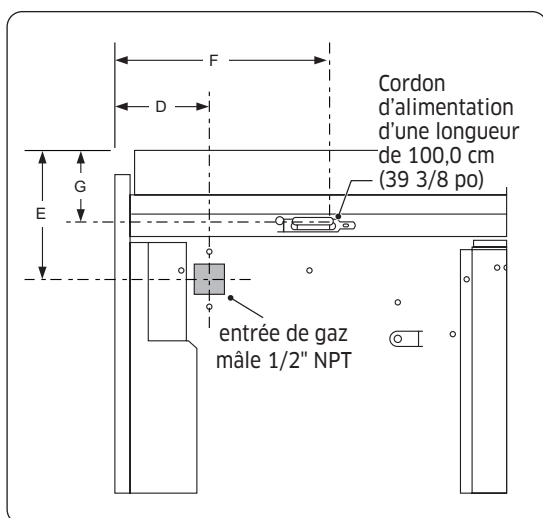
Modèle	A : Largeur de la découpe	B : Décalage du trou	C : Découpe de la ventilation par aspiration descendante	Modèles de ventilation par aspiration descendante approuvés*
DTT36*960	36 po (91,4 cm)	16 5/8 po (42,2 cm)	33 1/2 po (85,1 cm)	MRV3615M/S
DTT48*960	48 po (121,9 cm)	20 13/16 po (52,9 cm)	43 1/2 po (110,5 cm)	MRV48M/S

* IMPORTANT: N'utiliser que les modèles de ventilation par aspiration descendante indiqués.

Élément de rangement/plan de travail avec ventilation par aspiration descendante (vue latérale)



Emplacements et dimensions des installations d'électricité et de gaz (arrière)



Dimensions	DTT36*960	DTT48*960
D	3 1/2 po (8,9 cm)	4 po (10,1 cm)
E	4 11/16 po (11,9 cm)	4 11/16 po (11,9 cm)
F	5 1/8 po (13 cm)	19 3/4 po (50,1 cm)
G	2 11/16 po (6,9 cm)	2 11/16 po (6,9 cm)

Conditions d'installation

Exigences en matière d'alimentation en gaz

Fournir une alimentation en gaz adéquate

La cuisinière fonctionne à une pression de collecteur de :

- 13 cm (5 po) de colonne d'eau pour le gaz naturel/le gaz naturel à haute altitude (GN-H) ou
- 25 cm (10 po) de colonne d'eau pour le gaz de pétrole liquéfié (propane)/gaz de pétrole liquéfié à haute altitude (GPL/H).

Veillez à ce que votre cuisinière reçoive le gaz approprié. Lorsque vous vérifiez le fonctionnement du régulateur, la pression d'entrée doit être supérieure d'au moins 2,5 cm (1 po) à la pression de fonctionnement (collecteur) donnée.

Le régulateur de pression (à l'entrée du collecteur de la table de cuisson) doit rester dans la conduite d'alimentation, quel que soit le type de gaz utilisé.



REMARQUE

- Utiliser uniquement le régulateur fourni, qui doit être installé sur la conduite de gaz allant de l'entrée du gaz à la vanne d'arrêt.
- Une vanne d'arrêt manuelle externe doit être installée entre l'entrée de gaz et la cuisinière pour ouvrir ou fermer l'arrivée de gaz de l'appareil.
- Faire installer les connecteurs par un technicien qualifié.
- Ne jamais installer de connecteurs usagés pour une nouvelle cuisinière, cela pourrait causer une fuite de gaz et provoquer des blessures. Utiliser uniquement des connecteurs neufs et flexibles.

Exigences particulières en matière de gaz (modèles à gaz vendus dans le Massachusetts)

Exigences du Commonwealth du Massachusetts



AVERTISSEMENT

- Il peut y avoir des fuites de gaz dans votre système, entraînant un danger.
 - Les fuites de gaz ne sont pas toujours détectables à l'odeur uniquement.
 - Les compagnies de gaz recommandent d'installer un détecteur de gaz homologué UL, conformément aux spécifications du fabricant.
- La cuisinière doit être installée par un plombier ou un installateur de gaz certifié par le Massachusetts.
- Une vanne de gaz manuelle à poignée en T DOIT être installée sur la conduite d'alimentation en gaz de la cuisinière.
- Si vous utilisez un connecteur de gaz flexible, il doit être constitué d'une seule longueur de conduite.

Exigences électriques

AVERTISSEMENT

- Le propriétaire doit vérifier que le service électrique est conforme aux exigences électriques et que la prise est correctement installée par un électricien agréé.
- Pour réduire les risques d'incendie, de décharge électrique ou de blessures :
 - Ne pas utiliser de rallonge ou de fiche d'adaptation pour la cuisinière.
 - La cuisinière doit être correctement mise à la terre.
 - Ne pas utiliser de fiche d'alimentation endommagée ou une prise murale mal fixée.
 - Ne pas modifier, retirer ou neutraliser la troisième broche de mise à la terre de la fiche. Si vous disposez d'une prise à deux broches ou si vous pensez que la prise n'est pas correctement mise à la terre, demandez à un électricien qualifié de vérifier le circuit et la prise; installez une prise appropriée si nécessaire.
 - Tout le câblage et la mise à la terre doivent être conformes aux codes locaux ou, à défaut, au Code national de l'électricité, ANSI/NFPA No 70 – Dernière révision (États-Unis), ou au Code canadien de l'électricité CSA C22.1 – Dernières révisions et aux codes locaux.
 - Le schéma de câblage se trouve à l'intérieur du boîtier du brûleur.
 - Tous les modèles à gaz sont équipés d'un cordon d'alimentation avec un conducteur de mise à la terre et une fiche de mise à la terre.
 - Tous les modèles à gaz aux États-Unis et au Canada nécessitent un branchement électrique de 120 V, 60 Hz, CA, homologué, avec un disjoncteur de 20 ampères ou un fusible à retardement.
 - Ne JAMAIS brancher le fil de terre sur des conduites de plomberie en plastique, des conduites de gaz ou des conduites d'eau.

REMARQUE

Le rallumage peut ne pas fonctionner si la tension entre le Neutre et la Terre est supérieure à 20 Vca. Vérifier que la tension est inférieure à 20 Vca.

ATTENTION

Le non-respect de ces instructions peut provoquer un incendie, une décharge électrique ou la mort.

Conditions d'installation supplémentaires pour les maisons mobiles :

L'installation d'appareils conçus pour les maisons mobiles doit être conforme à la norme sur la construction et la sécurité des maisons mobiles (Manufactured Home Construction and Safety Standard), article 24 CFR (Code of Federal Regulations), partie 3280 (anciennement la norme fédérale sur la construction et la sécurité des maisons mobiles, article 24, HUD (Département du Logement et du Développement urbain), partie 280) ou, lorsque la norme ne s'applique pas, à la norme sur les installations de maisons mobiles (Manufactured-Home Installations), dernière édition (sites, communautés et installations de maisons mobiles), ANSI A225.1, dernière édition, ou aux codes locaux. Au Canada, l'installation des maisons mobiles doit être conforme au Code d'installation des maisons mobiles CAN/CSA Z240/MH en vigueur.

Instructions d'installation

Installation de la cuisinière

IMPORTANT

Lire attentivement ces instructions et les consignes de sécurité importantes (page 5) avant d'installer/d'utiliser la cuisinière. Une mauvaise installation, un mauvais réglage, un entretien ou une réparation inadéquats peuvent provoquer des blessures ou des dégâts matériels. **Les problèmes de fonctionnement du produit dus à une installation incorrecte ne sont pas couverts par la garantie.**

REMARQUE

La cuisinière ne doit être installée que par des professionnels qualifiés.

Déballage de la cuisinière

1. Retirer tous les emballages. (Ne pas tenir compte de cette consigne pourrait endommager la cuisinière.)
2. Vérifier toutes les pièces détachées par rapport à la liste des pièces. (Voir la page **13**.)
3. Signaler à votre revendeur les dégâts dus au transport et les pièces manquantes. Ne pas installer une cuisinière endommagée ou incomplète.

Installation de la cuisinière

1. Installer d'abord toutes les ventilations par aspiration descendante, conformément aux instructions du fabricant.
2. Placer la cuisinière dans le trou découpé et la fixer à la plaque de support à l'aide des boulons d'ancrage fournis.

Raccordement de l'alimentation en gaz

1. Fermer la vanne principale d'alimentation en gaz avant de débrancher l'ancienne cuisinière.
2. Procéder au branchement du gaz.
3. Ouvrir la vanne de gaz et rallumer les brûleurs de tout autre appareil à gaz.

REMARQUE

Étant donné que la tuyauterie rigide restreint le mouvement de l'appareil, utiliser un raccord métallique flexible homologué CSA International, à moins que les codes locaux n'exigent une tuyauterie rigide.

AVERTISSEMENT

Suivre scrupuleusement les informations contenues dans ce manuel pour éviter tout risque d'incendie ou d'explosion.

- Ne pas conserver ni utiliser d'essence ou d'autres liquides inflammables à proximité de la cuisinière.
- **SI VOUS SENTEZ UNE ODEUR DE GAZ :**
 - NE PAS allumer d'allumette, de briquet ou tout autre dispositif d'allumage.
 - NE PAS mettre l'appareil en marche.
 - NE PAS toucher aux interrupteurs électriques.
 - Évacuer le bâtiment.
 - N'utiliser aucun téléphone de votre immeuble; utiliser le téléphone d'un voisin, pour appeler immédiatement votre compagnie de gaz et suivre ses instructions. (Sinon, appelez les pompiers)
- L'installation et l'entretien doivent être effectués par un installateur qualifié, un organisme de service ou la compagnie de gaz.
- Installer uniquement le régulateur de gaz fourni. (Veiller à ce que la flèche du régulateur pointe vers l'appareil)
- Ne pas trop serrer les branchements et les raccords de gaz.
- Avant toute utilisation, vérifier qu'il n'y a pas de fuites dans les conduites de gaz. (Voir la page **23**.)

Raccordement de l'alimentation en gaz, suite

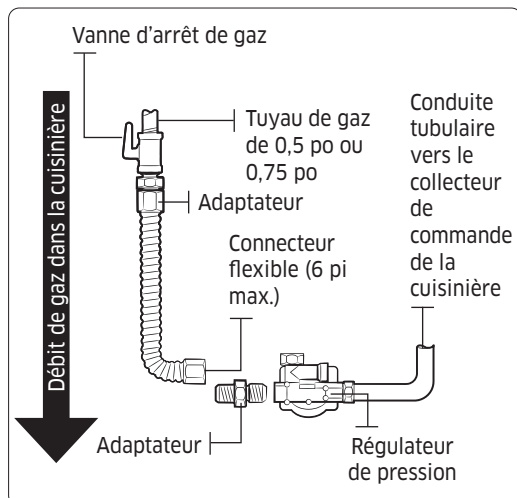
Ne jamais installer un connecteur usagé sur un appareil neuf. Dans le cas d'une tuyauterie rigide, aligner soigneusement le tuyau; la cuisinière ne peut plus être déplacée une fois le raccordement effectué.

Pour éviter les fuites de gaz, appliquer de la pâte à joint ou envelopper de téflon tous les filetages mâles (externes) des tuyaux.

1. Fixer le régulateur de pression de gaz fourni à l'entrée de l'embout fileté du tuyau de la cuisinière. (Pour les installations exigües, le régulateur peut être installé en amont de l'embout fileté, entre la vanne d'arrêt et la cuisinière. Pour un fonctionnement optimal, minimiser la perte de pression de gaz en fixant le régulateur aussi près que possible de l'entrée de gaz.
2. Terminer le raccordement en installant une conduite de gaz flexible entre le régulateur de pression et la vanne d'arrêt.

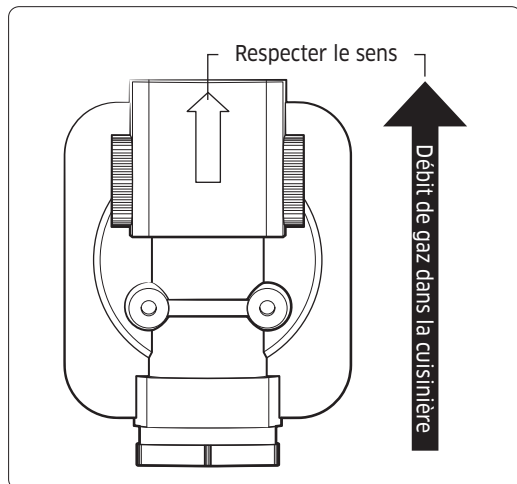
Raccordement du connecteur flexible

Installateur : Indiquer au consommateur l'emplacement de la vanne d'arrêt du gaz.



REMARQUE

La vanne d'arrêt de gaz doit être installée sur la tuyauterie de gaz, à bonne distance de la cuisinière, et doit être facilement accessible pour une ouverture/fermeture rapide.



REMARQUE

Lors du raccordement du régulateur de pression, vérifier le sens dans lequel il est raccordé. (S'il est raccordé en sens inverse, le régulateur de pression risque de couper le gaz.)

Instructions d'installation

Vérifier qu'il n'y a pas de fuite de gaz

AVERTISSEMENT

Pour éviter tout risque d'explosion ou d'incendie pouvant entraîner des blessures ou la mort, NE PAS utiliser de flamme pour vérifier la présence de fuites de gaz. Si vous utilisez des pressions supérieures à 1/2 psi pour tester le système d'alimentation en gaz de la maison, débrancher la cuisinière et la vanne d'arrêt individuelle de la conduite d'alimentation. Lorsque vous effectuez des tests avec des pressions de 1/2 psi ou moins, isolez la cuisinière en fermant la vanne d'arrêt individuelle.

1. Une fois tous les raccordements effectués, vérifier que toutes les commandes de la cuisinière sont sur OFF (ARRÊT) et ouvrez la vanne principale d'alimentation en gaz.
2. Vérifier tous les joints à l'aide d'un détecteur de fuites de liquide.
3. Resserer les raccords si nécessaire pour éviter toute fuite de gaz dans la cuisinière ou la conduite d'alimentation.

Effectuer les branchements électriques

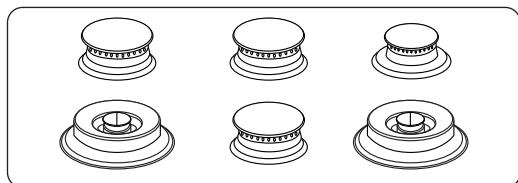
AVERTISSEMENT

- Couper le courant au niveau du disjoncteur principal ou de la boîte à fusibles avant d'effectuer les branchements électriques.
 - AVANT d'utiliser/de tester l'appareil, veiller à ce que les exigences de mise à la terre soient respectées (page 21) de ce manuel. Un mauvais branchement de la fiche de mise à la terre peut provoquer une électrocution.
 - Le système électrique (y compris le cordon d'alimentation) est installé/câblé en usine. Toute modification d'une partie de ce système peut provoquer un court-circuit ou une surcharge.
1. Brancher le cordon d'alimentation. Brancher le cordon d'alimentation. (Assurez-vous que la prise est conforme à tous les codes électriques en vigueur; voir la page 21.)
 2. Une fois la cuisinière installée, vérifier que la conduite d'alimentation en gaz n'a pas été endommagée et qu'elle est toujours raccordée.

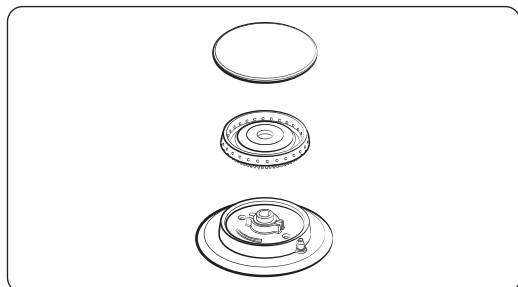
Installation des brûleurs de la cuisinière

ATTENTION

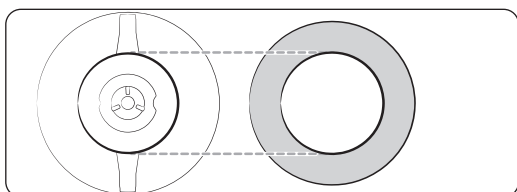
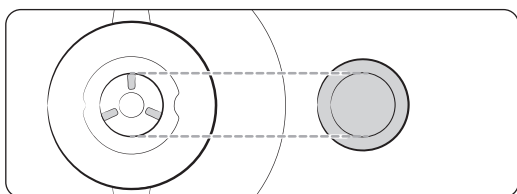
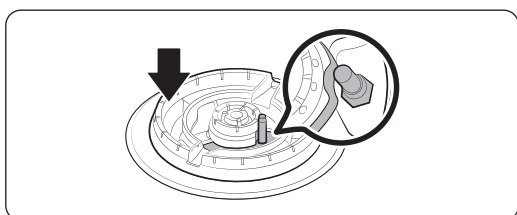
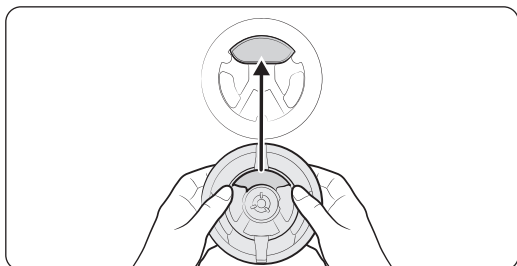
- N'utiliser les brûleurs de la cuisinière que si toutes les pièces du brûleur sont installées.
- Pour éviter tout risque d'électrocution, ne pas :
 - enfoncer les commandes d'un brûleur pendant que vous le retirez;
 - retirer le couvercle ou toucher l'électrode d'un brûleur lorsqu'un autre brûleur est allumé;



1. mettre les têtes de brûleur sur leur base (voir à gauche).
Les électrodes s'insèrent dans la fente située au bas des têtes, qui doivent être bien à plat.
2. Mettre les chapeaux sur leurs têtes de brûleur respectives.

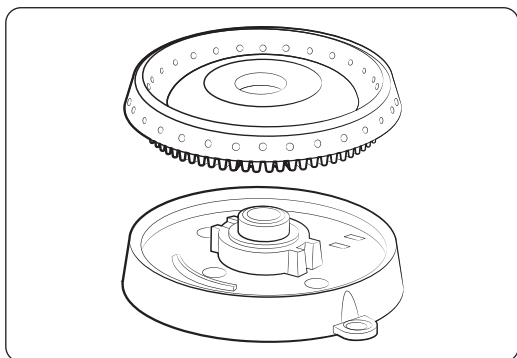


Double têtes/chapeaux de brûleur



1. Placer la tête du brûleur de manière à ce que l'ouverture pour l'électrode soit alignée avec l'électrode.
2. Installer la tête du brûleur de manière à ce que l'électrode traverse l'ouverture prévue à cet effet dans la tête. Veiller à ce que la tête du brûleur soit bien à plat sur la cuisinière.
3. Assurez-vous de choisir les bons chapeaux pour chaque brûleur, puis installez les chapeaux sur les têtes.

Têtes/chapeaux de brûleur ronds



1. Mettre les têtes de brûleur sur les bases des brûleurs. Le bas de la tête s'insère dans la base du brûleur.
2. Tourner la tête jusqu'à ce qu'elle se mette en place. Tourner la tête d'avant en arrière pour vérifier qu'elle est bien en place.
3. Mettre les chapeaux de brûleur (en laiton ou en porcelaine) sur les têtes des brûleurs. L'arête autour du bord inférieur du chapeau s'adapte à la partie supérieure de la tête du brûleur.

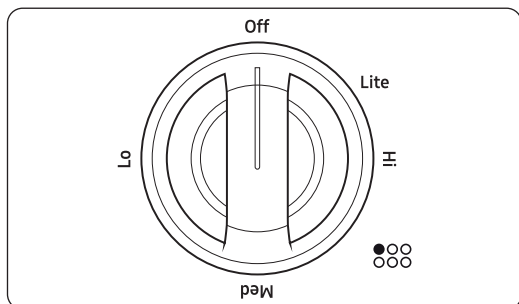
ATTENTION

Les têtes et les chapeaux des brûleurs doivent être bien à plat sur les têtes.

Instructions d'installation

Vérifier le bon fonctionnement des brûleurs

Une fois la cuisinière entièrement installée et branchée, vérifier que tous les brûleurs fonctionnent correctement.



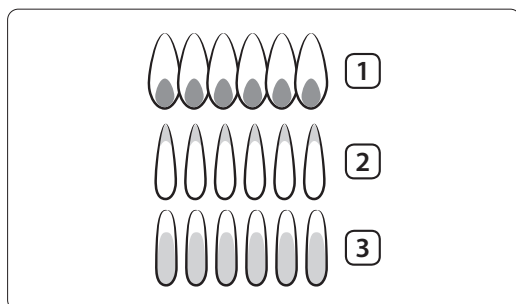
1. Tourner la molette d'un brûleur en position **Lite**. (Un « clic » signifie que le système d'allumage électronique est fonctionnel. Le brûleur s'allume environ 4 secondes plus tard, une fois l'air dans la conduite purgé)
2. Après l'allumage, tourner le bouton sur un réglage (le « clic » s'arrête; la hauteur de la flamme s'abaisse à mesure que vous tournez le bouton dans le sens inverse des aiguilles d'une montre.)
3. Procéder de même pour chaque brûleur.

Contrôler la qualité de la flamme

Toutes les flammes des brûleurs doivent être contrôlées visuellement pour évaluer leur qualité.

ATTENTION

Si vous voulez mesurer la flamme, faites attention à ne pas vous brûler.



1. Flammes bleu clair : c'est normal pour le gaz naturel.
2. Pointes extérieures jaunes : c'est normal pour le gaz de pétrole liquéfié.
3. Flammes jaunes : ce n'est pas normal, quel que soit le type de gaz utilisé.

REMARQUE

Si la flamme du brûleur est comme celle de l'exemple 3, appelez le service après-vente et n'utilisez pas la cuisinière. Les exemples 1 et 2 présentent des flammes de brûleur normales.

Installation des grilles

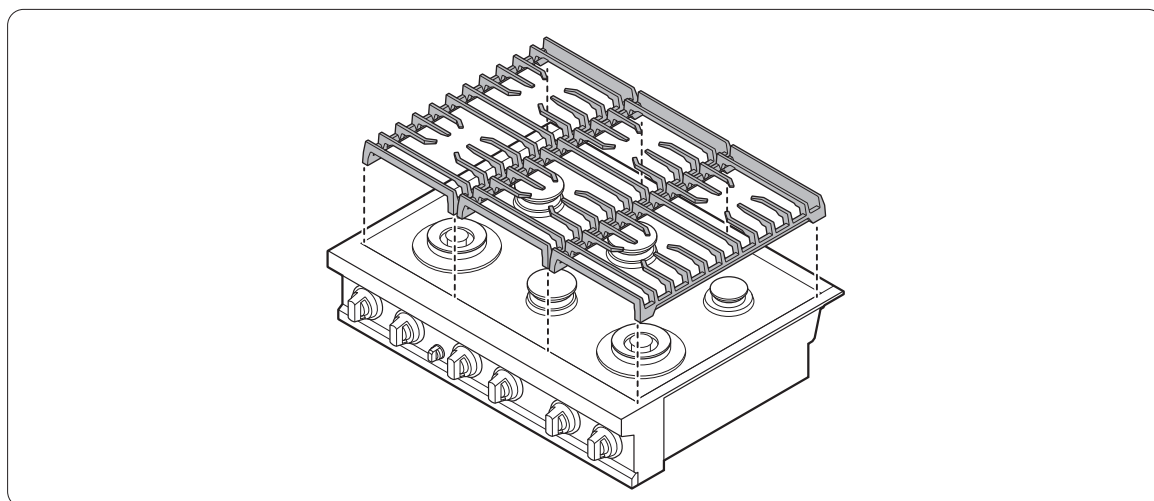
REMARQUE

Pour de meilleurs résultats et une durée de vie plus longue, installez les grilles comme indiqué. Les grilles ont une place spécifique sur la cuisinière et elles doivent être utilisées uniquement à ces endroits. (Pour faciliter l'installation, la position de chaque grille est inscrite au bas de la grille.)

L'arrière de la grille de droite est entaillé pour faciliter l'installation. Lorsqu'elles sont installées correctement, les ouvertures des grilles sont centrées sur les brûleurs.

Pour bien placer les grilles :

1. Trouver l'encoche à l'arrière de la grille de droite et l'abaisser avec précaution jusqu'à ce que ses branches soient placées dans les creux correspondants de la cuisinière.
2. Procéder de même pour les autres grilles en veillant à ce que leurs branches soient placées dans les creux correspondants.



Instructions d'installation

Liste de contrôle de l'installation finale

Une fois la cuisinière installée, veiller à ce que tous les boutons de commande soient éteints. Utiliser cette liste de contrôle pour vérifier que la cuisinière a bien été installée et qu'elle est prête à l'emploi.

- La conduite de gaz a été correctement raccordée à la cuisinière.
- Le gaz a été allumé.
- Tous les raccords ont été vérifiés pour voir s'il y a des fuites.
- La cuisinière a été correctement branchée sur une prise électrique mise à la terre.
- Les brûleurs et les grilles de la cuisinière sont correctement assemblés.
- Tous les brûleurs ont été testés et fonctionnent correctement.



REMARQUE

Le propriétaire est responsable de l'installation correcte de la cuisinière.

Notes

dacor
