



**New Built-In Model BI-48S  
Side-by-Side**

Side-by-side Model BI-48S provides the highest refrigerator and freezer capacity in a single Built-In unit. Sub-Zero dual refrigeration along with new air purification and water filtration systems guard the freshness of your food and water like nothing before. Framed, overlay/flush inset and stainless steel models are available. A new flush inset installation option allows the unit to sit flush with surrounding cabinetry.



*Stainless steel Model BI-48S shown with tubular handles.*

**Features**

- Framed, overlay/flush inset and stainless steel design applications
- Flush inset installation option allows unit to sit flush with surrounding cabinetry
- Air purification system
- Water filtration system
- Dual refrigeration system
- Flip-up grille for easy access to condenser
- Evenly-distributed bright interior lighting
- Door shelves are adjustable in one-inch increments
- Crisper and deli drawers form a special low-temperature zone
- Informational freshness cards inside unit
- Max ice feature to increase rate of ice production for a 24-hour period
- Exceeds tough Department of Energy standards

Model Options	BI-48S/F	BI-48S/O	BI-48S/S/TH	BI-48S/S/PH	BI-48S/S/CH
<b>Design</b>	Framed	Overlay/Flush Inset	Stainless	Stainless	Stainless
<b>Grille</b>	Louvered	Panel	Stainless	Stainless	Stainless
<b>Handle</b>	Full-Length	*	Tubular	Pro	Curved

*\*Handle not included to allow for design flexibility.*

**Interior Features**

- **Refrigerator**
  - 18.8 cu ft Capacity
  - Air Purification System
  - 4 Adjustable Glass Shelves
  - 1 Stationary Glass Shelf
  - 1 High-Humidity Drawer with Divider
  - 2 Storage Drawers with Divider
  - 3 Adjustable Door Shelves
  - 2 Stationary Door Shelves
  - Adjustable Dairy Compartment
- **Freezer**
  - 9.5 cu ft Capacity
  - Water Filtration System
  - Automatic Ice Maker
  - 3 Adjustable Wire Shelves
  - 1 Stationary Solid Shelf
  - 3 Storage Drawers
  - 5 Adjustable Door Shelves

**Accessories**

- Louvered, panel and stainless steel grilles for 83", 84" and 88" finished heights
- Stainless steel front panels for framed and flush inset applications with stainless steel finish and handle options
- Side panels in classic stainless steel and white
- Stainless steel tubular, pro or curved handles and full-length extended handles
- Dozen egg container with lid
- 90° door stop kit

*Accessories are available through your Sub-Zero dealer. To obtain local dealer information, visit the Showroom Locator section of our website, [subzero.com](http://subzero.com).*



This appliance is certified by Star-K to meet strict religious regulations in conjunction with specific instructions found on [www.star-k.org](http://www.star-k.org).



Flip-Up Grille



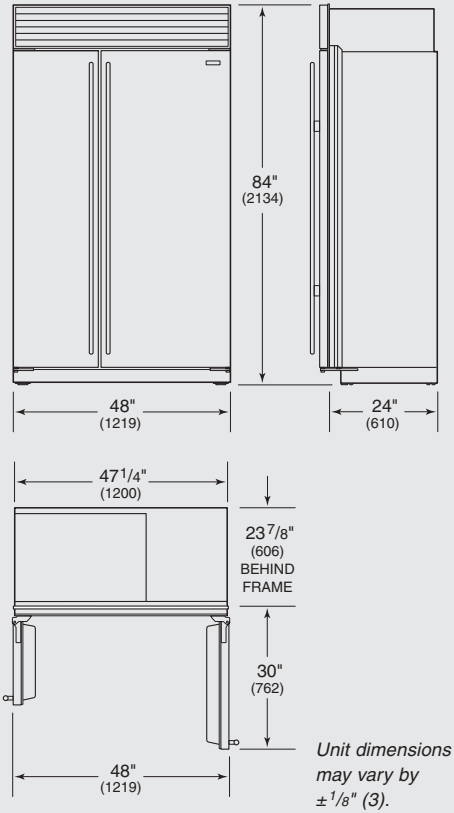
Air Purification System





## Built-In Model BI-48S

### Overall Dimensions



### Specifications

Overall Dimensions	48"W x 84"H x 24"D
Door Clearance	30"
Opening Width	47 <sup>1</sup> / <sub>2</sub> "
Flush Inset Width	50"
Opening Height	83 <sup>3</sup> / <sub>4</sub> "
Flush Inset Height	84"
Opening Depth	24"
Flush Inset Depth	26 <sup>3</sup> / <sub>16</sub> "
Electrical Requirements	115 V AC, 60 Hz 15 amp circuit
Plumbing Requirements	1/4" OD copper line 30–100 psi
Shipping Weight	582–630 lbs

### Installation Notes

Built-In models may be used in a standard installation or in a flush inset installation which allows the unit to be flush with surrounding cabinetry.

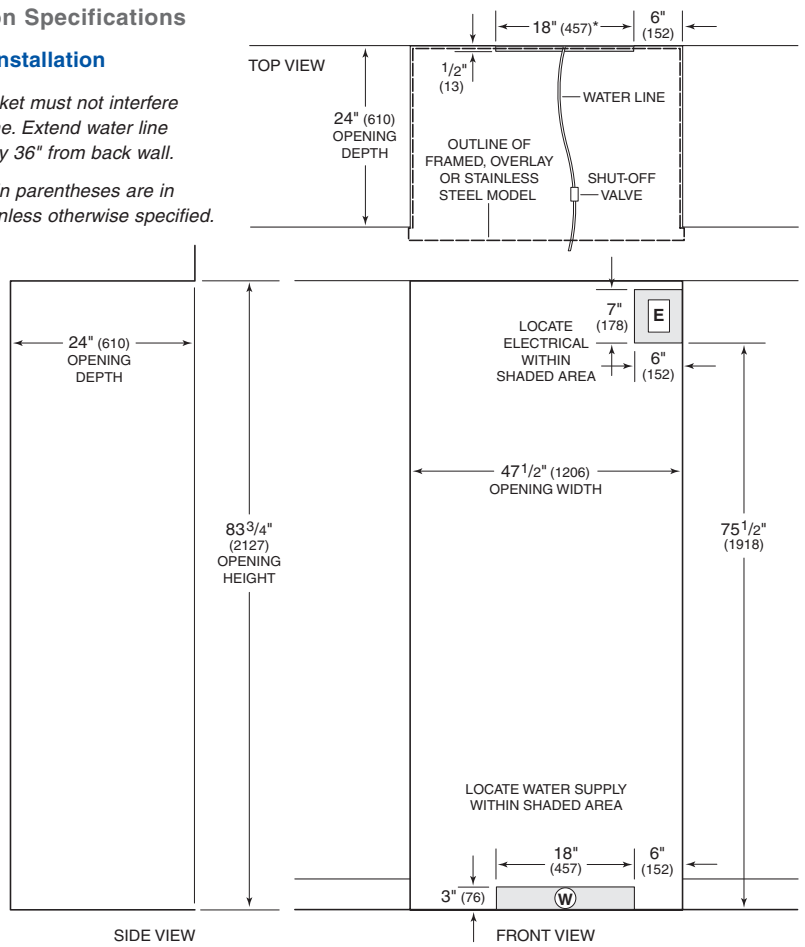
Complete installation specifications, including panel sizes, can be found on our website, [subzero.com](http://subzero.com).

### Installation Specifications

#### Standard Installation

\*Anti-tip bracket must not interfere with water line. Extend water line approximately 36" from back wall.

Dimensions in parentheses are in millimeters unless otherwise specified.



#### Flush Inset Installation

\*Anti-tip bracket must not interfere with water line. Extend water line approximately 36" from back wall.

\*\*Dimensions based on 3/4" (19) panels.

