

DF366



FEATURES

Cook at higher highs and lower lows with six dual-stacked, sealed burners that produce up to 20,000 Btu and deliver as low as 300 Btu

Clean up splashes and spills easily with the seamless, sealed, black porcelain-coated burner pans

Assures predictably delicious results with a variety of modes including Convection Roast, Proof, and Dehydrate

Control heat and airflow expertly as dual convection creates just the right cooking environment for everything from Cornish hens to cherry pie to butternut squash

Leave nothing to chance. Our temperature probe alerts you when your dish has reached the desired temperature for worry-free, delicious results

Operate easily with a control panel that rotates out of sight when not in use

Includes options such as self-clean, delayed start, timed cook, Sabbath mode, and more

Re-ignites flame automatically with our spark ignition system for improved temperature control and added safety

Move pots and pans effortlessly across the continuous cast-iron grates

Find your kitchen style with a choice of iconic red, black, or brushed stainless control knobs

See food clearly with bright interior halogen lights and large double-panel glass door windows

ACCESSORIES

2-Burner Wok Grate

3 1/4" Front Leg Covers

3 1/4" Rear Caster Covers

3 3/4" (95) Front Leg Covers

3 3/4" Rear Caster Covers

30" Broiler Pan

36" Bake Stone Kit

36" Black Knobs

36" Full-extension ball-bearing oven rack

36" Red Knobs

36" Stainless Steel Kickplate

36" Stainless Steel Knobs

4 1/4" Front Leg Covers

4 1/4" Rear Caster Covers

4 3/4" Front Leg Covers

4 3/4" Rear Caster Covers

Dehydration Kit

Filler Trim

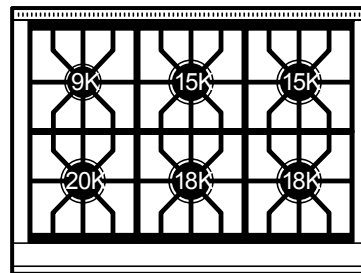
Oven Rack Set (3)



KNOB OPTIONS



TOP CONFIGURATION



RANGETOP SPECIFICATIONS

- 1 - 9,200 Btu burner
- 1 - 20,000 Btu burner
- 2 - 15,000 Btu burners
- 2 - 18,000 Btu burners

S-Grates

Temperature Probe

30" Brass Bezels

30" Chrome Bezels

30" Stainless Bezels

36" Brass Bezels

36" Chrome Bezels

36" Stainless Bezels

48" and 60" Brass Bezels

48" and 60" Chrome Bezels

48" and 60" Stainless Bezels

30" X 5" Riser

30" X 10" Riser

30" X 20" Riser

36" X 5" Riser

36" X 10" Riser

36" X 20" Riser

48" X 5" Riser

48" X 10" Riser

48" X 20" Riser

60" X 5" Riser

60" X 10" Riser

60" X 20" Riser

Stainless steel, brass or chrome bezels

5" and 10" stainless steel risers, and 20" riser with shelf

Accessories available through an authorized dealer.

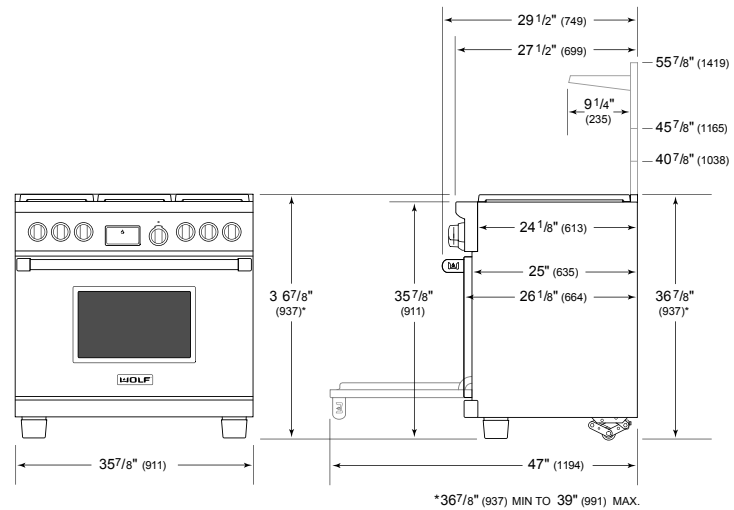
For local dealer information, visit subzero-wolf.com/locator.

Specifications are subject to change without notice. This information was generated on December 16, 2020. Verify specifications prior to finalizing your cabinetry/enclosures.

PRODUCT SPECIFICATIONS

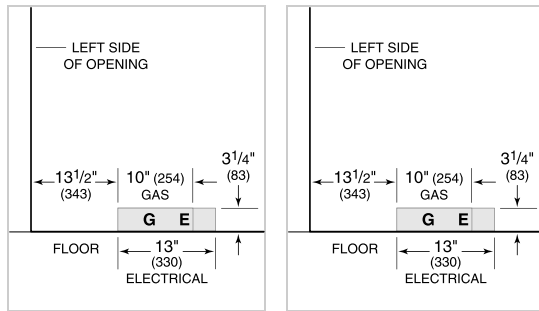
Model	DF366
Dimensions	35 7/8"W x 36 7/8"H x 29 1/2"D
Oven 1 Interior Dimensions	30"W x 16 1/2"H x 19"D
Oven 1 Usable Capacity	3.5 cu. ft.
Oven 1 Overall Capacity	5.4 cu. ft.
Door Clearance	19 1/2"
Electrical Supply	240/208 VAC, 60 Hz
Electrical Service	30 amp dedicated circuit
Gas Supply	3/4" ID line
Gas Inlet	1/2" NPT female

DIMENSIONS



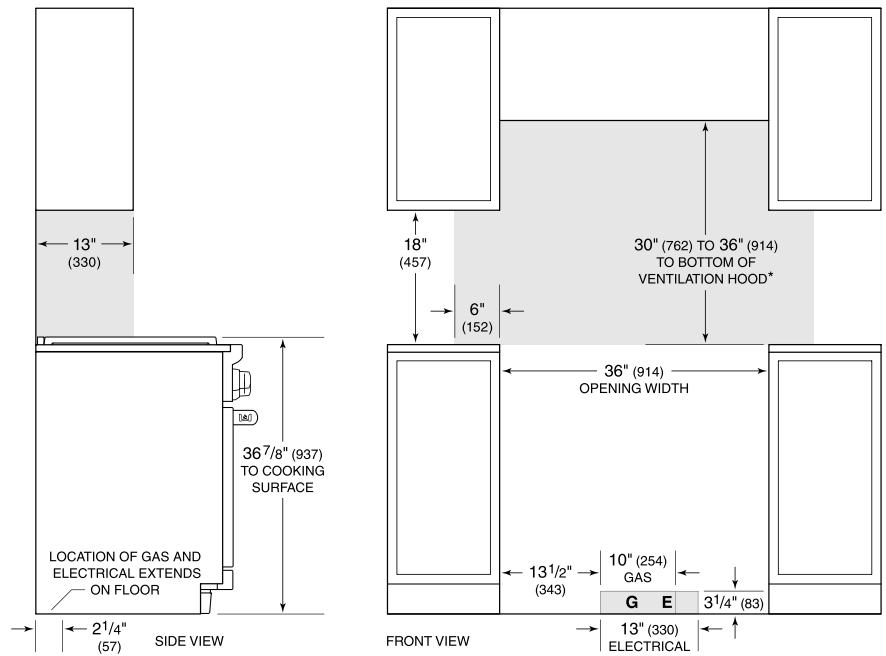
ELECTRICAL

GAS



NOTE: Dimensions in parenthesis are in millimeters unless otherwise specified

STANDARD INSTALLATION



*Without ventilation hood, 36" (914) minimum clearance countertop to combustible materials, 44" (1118) for charbroiler.

NOTE: Shaded area above countertop indicates minimum clearance to combustible surfaces, combustible materials cannot be located within this area.

For island installation, 12" (305) minimum clearance back of range to combustible rear wall above countertop.