

## VI42S

### FEATURES

Breathe cleaner air and enjoy less greasy residue in your kitchen

Ventilate with a professional, low-profile look

Adjust as needed with recessed controls that provide a sleeker look, yet maintain ultimate blower control

Matches the same heavy-duty stainless-steel construction, hand-finished hemmed edges, and welded seams of all Sub-Zero, Wolf, and Cove products

Select from internal, in-line, or remote blower options (blower required)

Minimizes the backward flow of cold air with backdraft transition

### ACCESSORIES

Flue Extension

Recirculating Filter

Recirculating Kit

Remote Control

Inline Blowers

Internal Blowers

Remote Blowers

Accessories available through an authorized dealer.

For local dealer information, visit [subzero-wolf.com/locator](http://subzero-wolf.com/locator).



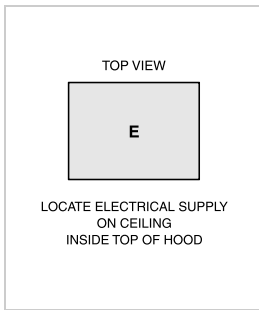
### BLOWER OPTIONS

- 300 CFM Internal
- 600 CFM Internal
- 600 CFM Inline
- 600 CFM Remote
- 1200 CFM Remote

**PRODUCT SPECIFICATIONS**

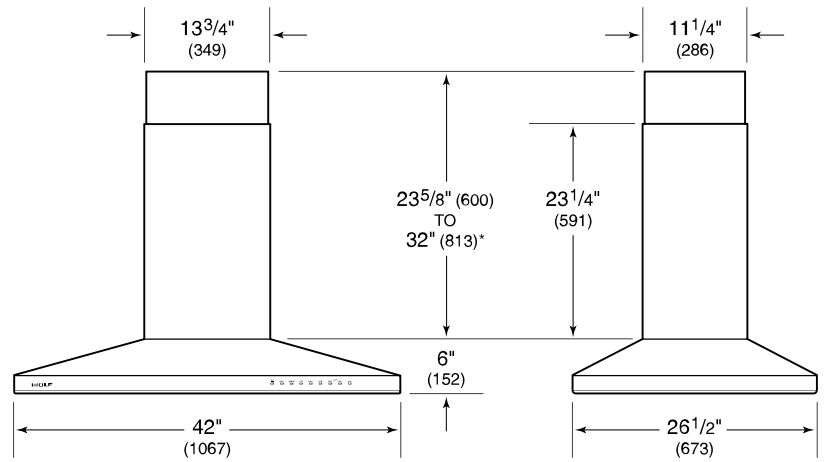
Model	VI42S
Dimensions	42"W x 6"H x 26 1/2"D
Electrical Supply	110/120 VAC, 60 Hz
Electrical Service	15 amp dedicated circuit
Discharge Dimensions	6" Round
Bottom of Hood to Countertop	24" to 36"
Receptacle	3-prong grounding-type

**ELECTRICAL**



**NOTE:** Dimensions in parenthesis are in millimeters unless otherwise specified

**DIMENSIONS**



\*46 1/4" (1175) to 55" (1397) with accessory flue extension.