

DISHWASHER INSTALLATION GUIDE

SPECIFICATIONS, INSTALLATION, AND MORE



Contents

- 3 Cove Dishwasher
- 4 Specifications
- 7 Door Panel
- 9 Installation
- 15 Troubleshooting

Features and specifications are subject to change at any time without notice. Visit coveappliance.com/specs for the most up-to-date information.

Important Note

To ensure this product is installed and operated as safely and efficiently as possible, take note of the following types of highlighted information throughout this guide:

IMPORTANT NOTE highlights information that is especially important.

CAUTION indicates a situation where minor injury or product damage may occur if instructions are not followed.

WARNING states a hazard that may cause serious injury or death if precautions are not followed.

IMPORTANT NOTE: Throughout this guide, dimensions in parentheses are millimeters unless otherwise specified.

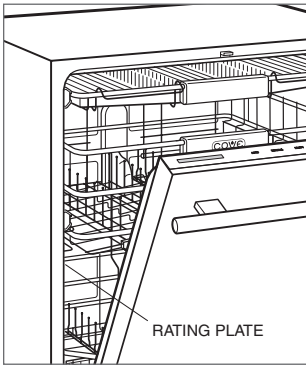
IMPORTANT NOTE: Certified residential dishwashers are not intended for licensed food establishments.

IMPORTANT NOTE: Exercise care when installing and removing the unit to avoid damage to the power supply cord (#827613).

Product Information

Important product information, including the model and serial number, are listed on the product rating plate. The rating plate is located on the left side wall of the unit. Refer to the illustration below.

If service is necessary, contact Cove Factory Certified Service with the model and serial number. For the name of the nearest Cove Factory Certified Service or for questions regarding the installation, visit the contact and support section of our website, coveappliance.com, or call Cove Customer Care at 800-222-7820.

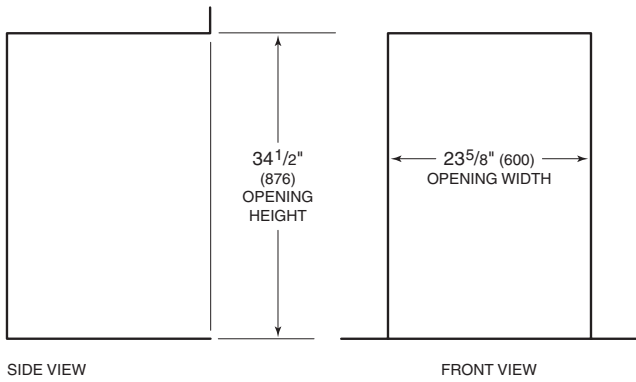
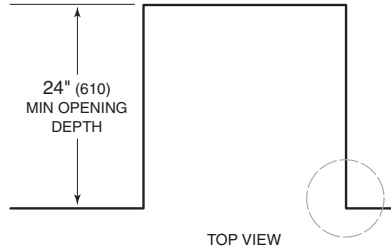


Rating plate location

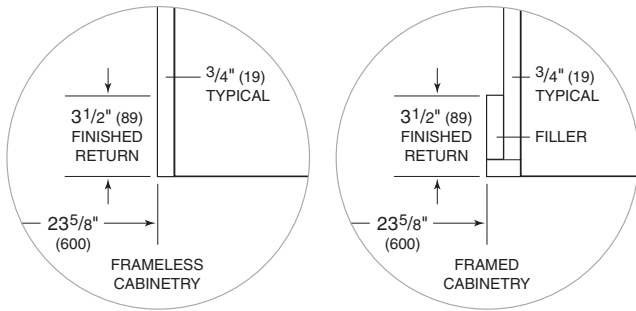
SPECIFICATIONS

Opening Dimensions

DISHWASHER



NOTE: 3 1/2" (89) finished returns will be visible and should be finished to match cabinetry.



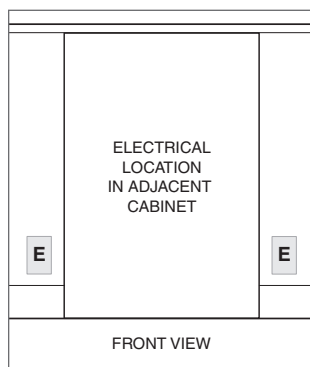
Electrical Requirements

Installation must comply with all applicable electrical codes. Any opening into the adjacent cabinet must meet the following: the longest dimension of the opening shall not be more than 1 1/2" (38). The edges of the opening must be smooth and round.

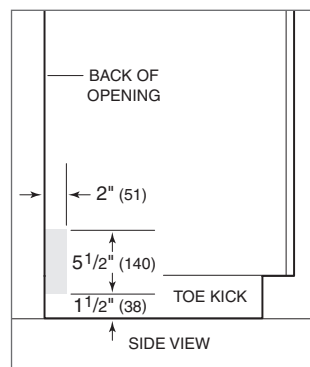
Locate the electrical supply in an adjacent cabinet, within reach of the power cord. Refer to the illustrations below. A separate circuit servicing only this appliance is required. A ground fault circuit interrupter (GFCI) outlet or breaker may be required, whichever complies with local codes.

ELECTRICAL REQUIREMENTS

Electrical Supply	115 VAC, 60 Hz
Service	15 amp dedicated circuit
Receptacle	3-prong grounding-type
Power Cord	3' (.9 m)



Electrical location



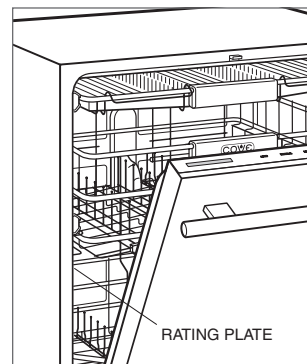
Electrical routing

GROUNDING INSTRUCTIONS

This appliance must be grounded. In the event of a malfunction or breakdown, grounding will reduce the risk of electric shock by providing a path of least resistance for electric current. This appliance is equipped with a cord having an equipment-grounding conductor and a grounding plug. The plug must be plugged into an appropriate outlet that is installed and grounded in accordance with all local codes and ordinances.

⚠ WARNING

Improper connection of the equipment-grounding conductor can result in a risk of electric shock. Check with a qualified electrician or service representative if you are in doubt whether the appliance is properly grounded. Do not modify the plug provided with the appliance, if it will not fit the outlet, have a proper outlet installed by a qualified electrician.



Rating plate location

Plumbing Requirements

Installation must comply with all applicable plumbing codes. Any opening into the adjacent cabinet must meet the following: the longest dimension of the opening shall not be more than 1 1/2" (38). The edges of the opening must be smooth and round.

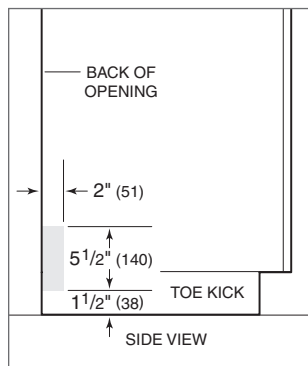
Locate the water supply and drain in an adjacent cabinet. If necessary, the drain tubing can be extended by a maximum of 5' (1.5 m). Route the water supply through the shaded area shown in the illustration below. Connect the water supply to a hot water house supply with an easily accessible shut-off valve between the supply and the unit.

IMPORTANT NOTE: This appliance is intended for connection to a hot water supply. The water supply can not be exposed to freezing temperatures.

Purge the water supply prior to final connection to the unit. This will remove any debris that may be present in the tubing from installing the new water supply. Connect the braided tubing from the unit to the house water supply with the fitting provided. Check all water supply fittings for leaks.

PLUMBING REQUIREMENTS

Water Connection	5' (1.5 m) braided tubing with 3/8" female compression fitting
Drain Connection	5' (1.5 m) corrugated tubing
Pressure	30–140 psi (2–9.7 bar)
Max Supply Temperature	140°F (60°C)



Water supply routing

DOOR PANEL

Door Panel

STAINLESS STEEL PANEL

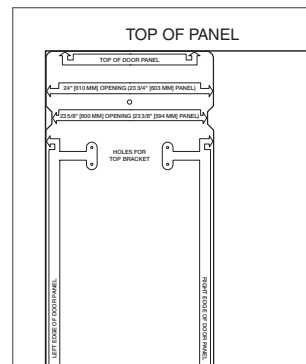
Stainless steel accessory door panels are available through an authorized Cove dealer. For local dealer information, visit the find a showroom section of our website, coveappliance.com.

CUSTOM PANEL

Finish all sides of the custom panel. They may be visible when the door is open.

The thickness of the custom panel can vary. A minimum $\frac{1}{2}$ " (13) thick panel is required, but the thickness can be increased provided the panel does not exceed 16 lb (7 kg).

The custom door panel template provided accommodates $23\frac{3}{8}$ " (594) and $23\frac{3}{4}$ " (603) wide panels. Adjust the template accordingly for all other panel widths. Refer to the illustration below.

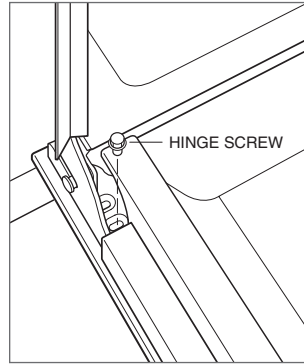


Custom door panel template

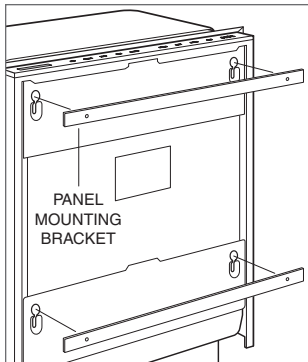
Door Panel

CUSTOM PANEL MOUNTING

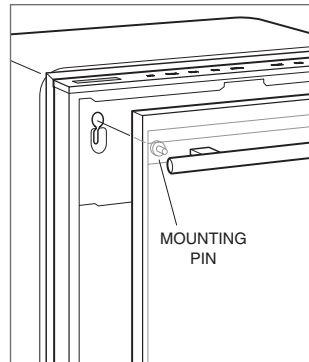
- 1 Remove the template from the dishwasher door by extracting the screws, then discard the screws.
- 2 Place the custom panel face down on a protected work surface.
- 3 Position the template flush with the top and sides of the panel, then mark and drill holes.
- 4 Remove the custom panel mounting brackets from the dishwasher by pushing in and up on each bracket. Refer to the illustration below.
- 5 Use the screws provided to secure brackets to the panel.
- 6 Align the mounting pins on the door panel with the dishwasher door slots, then push in and shift the panel down to secure. Refer to the illustration below.
- 7 Verify the panel is secure against the dishwasher door, then insert a screw into each hinge to secure the bottom of the panel. Refer to the illustration below.



Hinge screw



Panel mounting brackets



Mounting pin

INSTALLATION

Installation

PREPARATION

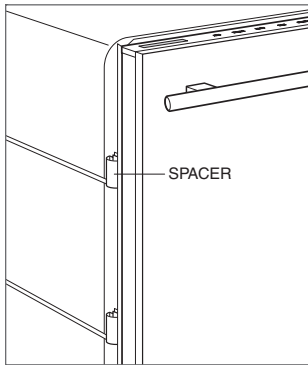
- 1 Place the unit in front of the opening.
- 2 For openings less than 24" (610) wide, remove the side spacers by pushing upward. Refer to the illustration below.
- 3 Measure the height of the opening, then adjust the leveling legs until the unit height is slightly less than the opening height. Refer to the illustration below.

To adjust the front, turn the leveling legs clockwise to raise and counterclockwise to lower the unit.

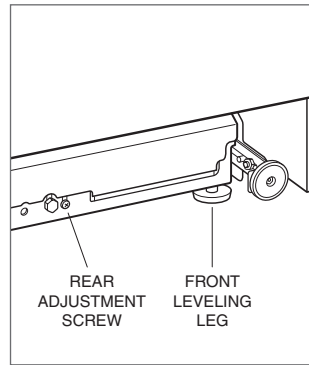
To adjust the rear, turn the rear adjustment screw counterclockwise to raise and clockwise to lower the unit.

NOTE: The unit is equipped to prevent the rear leveling leg from stripping if turned the wrong way. If the rear leveling leg does not raise or lower, tilt the dishwasher forward slightly to remove pressure from the leg which will engage the threads and allow for adjustment.

- 4 Route the power cord through an access hole in the adjacent cabinet.
- 5 Route the water supply and drain tube through an access hole in the adjacent cabinet.



Side spacers



Leveling

RACK REMOVAL

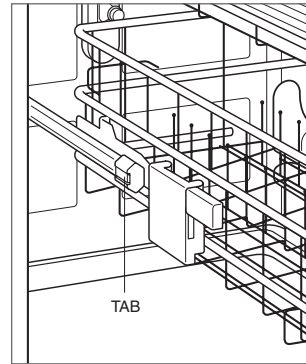
Remove the racks prior to anchoring the unit.

To remove the upper and middle racks:

- 1 Pull the rack out to full extension.
- 2 Pull out on the tab on the side of the rack clips and remove the clips from the end of each rack glide. Refer to the illustration below.
- 3 Pull the rack forward to remove.

To remove the lower rack:

- 1 Pull the rack out to full extension.
- 2 Lift up and out.



Rack removal

INSTALLATION

Installation

INSTALLATION

For metal cabinet installations, contact Cove Customer Care for edge protector material prior to installation.

- 1 Insert the unit into the opening and pull the excess electrical and plumbing supplies through the access hole as the unit is being installed.
- 2 Verify the plumbing and electrical supplies are not kinked or coiled.

PLUMBING CONNECTIONS

- 1 Connect the drain tube following local code. The drain connection will accommodate 1" (25), 3/4" (19), and 5/8" (16) drain connections. The connection must be cut to fit 3/4" (19) and 5/8" (16) connections. If connecting to a food waste disposer, remove the knockout prior to making the drain connection. The drain tube must be secured between 20" (508) and 43" (1092) high above the bottom of the dishwasher.
- 2 Connect the water connection to the water supply with the fitting provided.

LEVELING

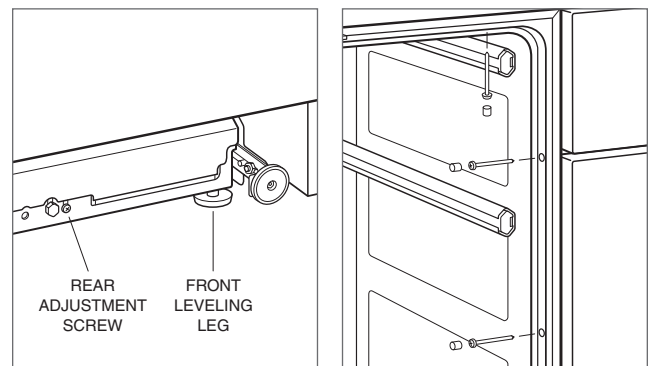
To adjust the front, turn the leveling legs clockwise to raise and counterclockwise to lower the unit. Refer to the illustration below.

To adjust the rear, turn the rear adjustment screw counterclockwise to raise and clockwise to lower the unit.

ANCHORING

Secure the unit to adjacent cabinetry using the screws provided. Do not over tighten. Over tightening could distort the unit causing issues with the door seal. If applicable, secure the top of the unit to the countertop using the screws provided.

Verify proper door closure, then install the hole plugs in each mounting hole location. Refer to the illustration below.



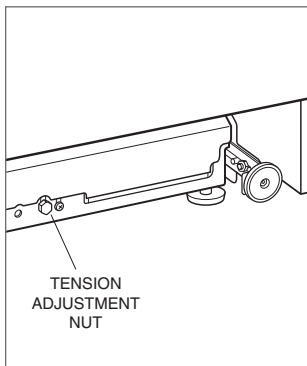
Leveling

Anchoring

Installation

DOOR TENSION ADJUSTMENT

The door tension can be adjusted to accommodate multiple panel weights. Panel weight can not exceed 16 lb (7 kg). Turn the adjustment nut clockwise to increase tension and counterclockwise to decrease tension. Refer to the illustration below.

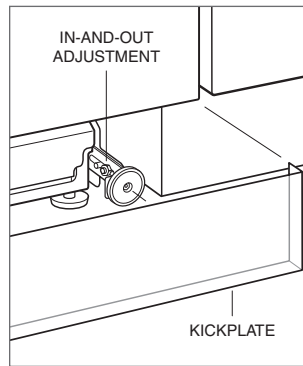


Door tension adjustment

KICKPLATE INSTALLATION

The kickplate must be removable for service. The floor cannot interfere with removal.

- 1 Finger-tighten the adjustment bracket nuts.
- 2 Place the kickplate on the magnets.
- 3 Make in-and-out adjustments. Refer to the illustration below.
- 4 Remove the kickplate, then wrench-tighten the bracket nuts.
- 5 Reinstall the kickplate.



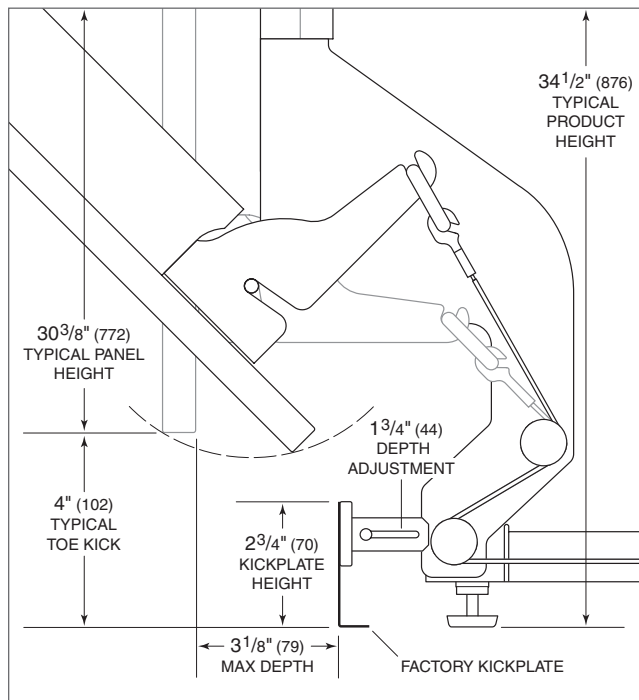
Kickplate adjustment

INSTALLATION

Installation

KICKPLATE CLEARANCE

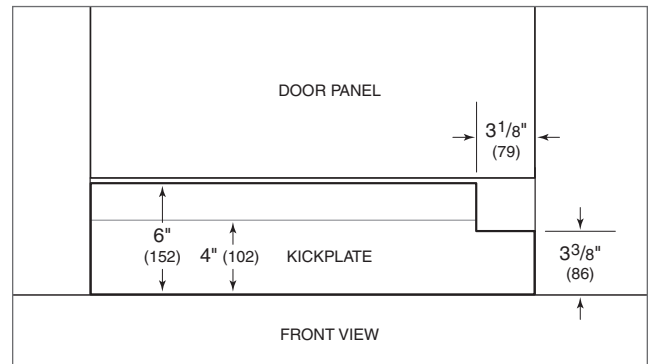
It is possible to adhere a custom kickplate to the factory kickplate. The height and thickness can vary, provided it does not impede the door panel rotation. Refer to the illustration below.



Toe kick area (side view)

KICKPLATE

The upper right corner of any kickplate exceeding 3 3/8" (86) in height must be notched to allow for airflow. Refer to the illustration below.



Kickplate notch

Installation

COMPLETION

- 1 Turn the water and electrical supply on.
- 2 For water softener models, refer to the Water Softener section to adjust the water hardness, then proceed to the next step.
- 3 Install all interior racks.
- 4 Run a Quick cycle and check for leaks.
- 5 Reverse the process to remove for inspection.

Water Softener

For water softener models only, a salt compartment is located at the bottom of the interior. Refer to the illustration below. Softener salt is available through an authorized Cove dealer.

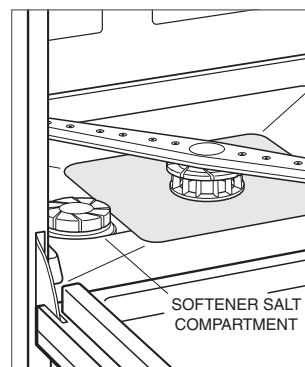
Prior to filling the salt compartment for the first time, fill the compartment with water. Water does not have to be added with subsequent refills.

⚠ CAUTION

Do not add anything other than dishwasher salt to the salt compartment.

To add softener salt:

- 1 Pull the lower rack forward and if necessary, turn the lower spray arm away from the compartment cover.
- 2 Turn the cover counterclockwise to remove. It is normal for the reservoir to contain water.
- 3 Fill the compartment completely with dishwasher softener salt.
- 4 Once full, clean any excess salt from the threads of the salt compartment, then turn the cover clockwise to secure.



Softener salt compartment

Water Softener

WATER HARDNESS

For water softener models only, use the test strip provided and the chart below to determine the appropriate water hardness setting. Refer to the chart below to determine the water hardness setting.

SETTING	HARDNESS
0 (Default)	0–4 gpg
1	5–6 gpg
2	7–8 gpg
3	9–11 gpg
4	12–13 gpg
5	14–15 gpg
6	16–17 gpg
7	18–19 gpg
8	20–22 gpg
9	23–24 gpg
10	25+ gpg

Setting user options:

- 1 Touch Cancel twice.
- 2 Touch and hold Options for approximately 3 seconds until “User Set Up” appears on the display.
- 3 Touch Options multiple times to scroll to Water Hardness.
- 4 Touch Enter to scroll or to select the desired setting.
- 5 Touch Cancel to exit user setup.

Troubleshooting

Dishwasher does not operate.

- Verify power is on.
- Verify electrical power to dishwasher and home circuit breaker is on.
- Verify the child lock, Sabbath feature, and showroom mode are not turned on.

WARNING

Follow all city and state laws when storing, recycling or discarding unused dishwashers.



COVE APPLIANCE, INC. P.O. BOX 44848 MADISON, WI 53744 COVEAPPLIANCE.COM 800.222.7820

9013808 REV-B

4/2018

