



# Designer Series Wine Storage *Installation Guide*



SPECIFICATIONS, INSTALLATION,  
AND MORE



## Contents

- 3 Designer Series Wine Storage
- 4 Opening Dimensions
- 5 Electrical Requirements
- 6 Preparation
- 6 Anti-Tip Bracket
- 8 Placement
- 9 Alignment
- 10 Panels
- 12 Panel Installation
- 14 Completion

Features and specifications are subject to change at any time without notice. Visit [subzero.com/specs](http://subzero.com/specs) for the most up-to-date information.

## Important Note

To ensure this product is installed and operated as safely and efficiently as possible, take note of the following types of highlighted information throughout this guide:

**IMPORTANT NOTE** highlights information that is especially important.

### ⚠ CAUTION

Indicates a situation where minor injury or product damage may occur if instructions are not followed.

### ⚠ WARNING

States a hazard that may cause serious injury or death if precautions are not followed.

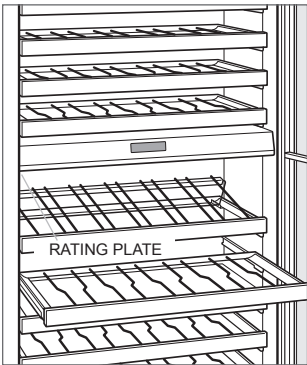
**IMPORTANT NOTE:** Throughout this guide, dimensions in parentheses are millimeters unless otherwise specified

**IMPORTANT NOTE:** Save these instructions for the local electrical inspector.

## Product Information

Important product information, including the model and serial number, are listed on the product rating plate. The rating plate is located on the handle side wall, directly below the control panel. Refer to the illustration below.

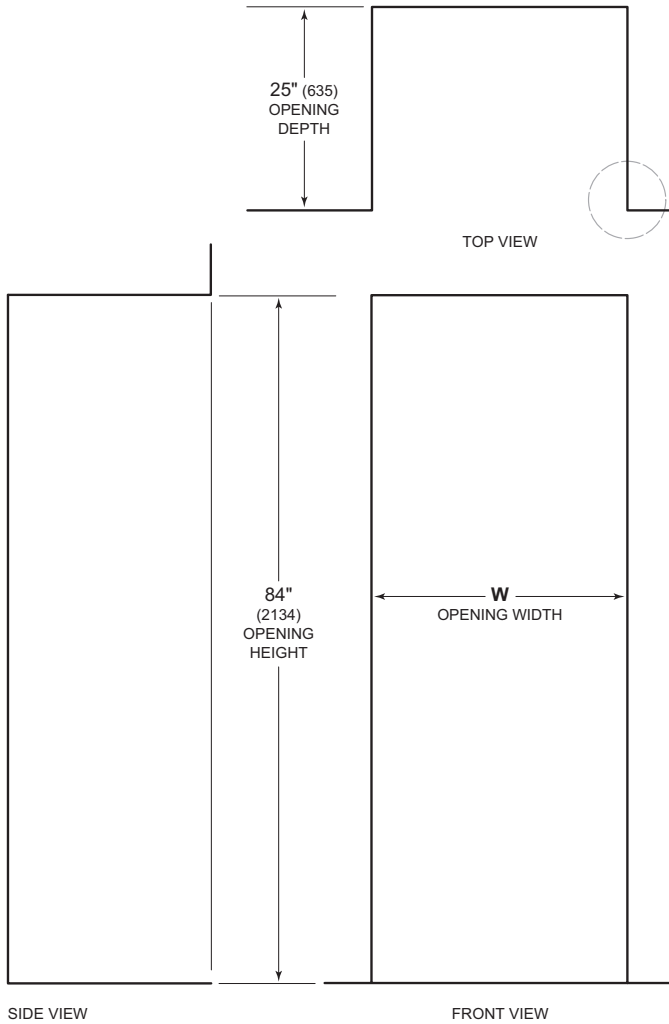
If service is necessary, contact Sub-Zero Factory Certified Service with the model and serial number. For the name of the nearest Sub-Zero Factory Certified Service or for questions regarding the installation, visit the Product Support section of our website, [subzero.com](http://subzero.com), or call Sub-Zero Customer Care at 800-222-7820.



Rating plate location

## Opening Dimensions

### WINE STORAGE



### OPENING DIMENSIONS

|           | <b>W</b>  |
|-----------|-----------|
| 18" Model | 18" (457) |
| 24" Model | 24" (610) |
| 30" Model | 30" (762) |

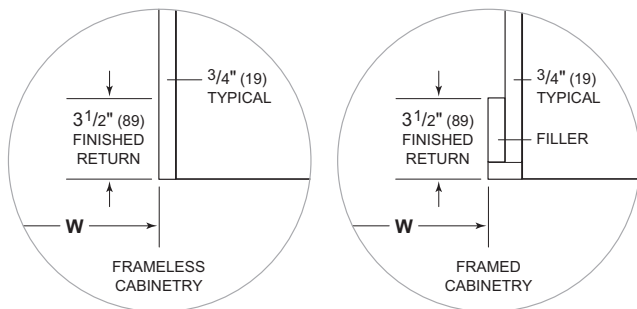
The depth of each wine storage model is 24" (610). Allow for panel thickness when planning the finished opening depth. A minimum 3½" (89) finished return is required on all sides of the opening. Framed cabinets will require additional finished filler material behind the face frame for a proper installation. Refer to the illustration.

### DUAL INSTALLATION

When installing two units side by side in a dual installation, the opening width is the width of the two units added together. A dual installation kit is required for this installation. If a dual installation kit is not specified, a minimum 2" (51) filler strip is required between the units.

Dual installation kits are available through an authorized Sub-Zero dealer. For local dealer information, visit the find a showroom section of our website, [subzero.com](http://subzero.com). For questions regarding the installation, call Sub-Zero Customer Care at 800-222-7820.

*NOTE: 3½" (89) finished returns will be visible and should be finished to match cabinetry.*



## Electrical Requirements

Installation must comply with all applicable electrical codes.

The electrical supply must be located within the shaded area shown in the illustration and chart below. A separate circuit servicing only this appliance is required. A ground fault circuit interrupter (GFCI) is not recommended and may cause interruption of operation.

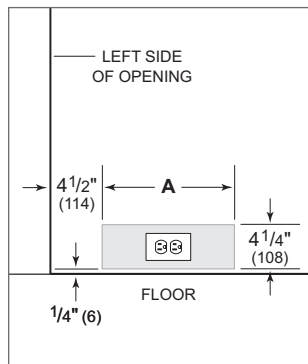
The electrical outlet must be positioned with the ground-prong to the right of the thinner blades.

### ELECTRICAL REQUIREMENTS

|                   |                          |
|-------------------|--------------------------|
| Electrical Supply | 115 VAC, 60 Hz           |
| Service           | 15 amp dedicated circuit |
| Receptacle        | 3-prong grounding-type   |

### ELECTRICAL SUPPLY LOCATION

|           | A          |
|-----------|------------|
| 18" Model | 6" (152)   |
| 24" Model | 9½" (241)  |
| 30" Model | 12½" (318) |



Electrical supply location

#### ⚠ CAUTION

The outlet must be checked by a qualified electrician to be sure it is wired with the correct polarity. Verify the outlet is properly grounded.

#### ⚠ WARNING

Do not locate multiple portable socket-outlets, power strip, or portable power supplies at the rear of the appliance.

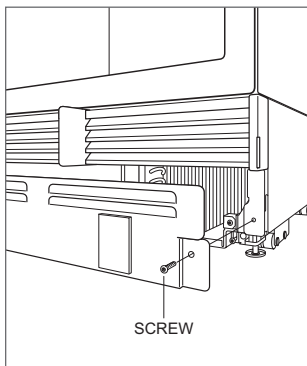
#### ⚠ WARNING

Do not use an extension cord, two-prong adapter, or remove the power cord ground prong.

## Preparation

Uncrate the unit and inspect for damage. Remove the wood base and discard the shipping bolts and brackets. Remove and recycle packing materials. Do not discard the kickplate, anti-tip bracket, and hardware.

Remove the kickplate by extracting the two mounting screws. Refer to the illustration below.



Kickplate removal

## Anti-Tip Bracket

### ⚠ WARNING

**To prevent the unit from tipping forward, the anti-tip bracket must be installed.**

The back of the anti-tip bracket must be installed 24" (610) from the front of the unit (without panels). Use all the anti-tip bracket hardware as instructed for wood or concrete floors.

**IMPORTANT NOTE:** For wood or concrete floor applications, if the #12 screws do not hit a wall stud or wall plate, use the #8 screws and #12 washers with the wall anchors.

**IMPORTANT NOTE:** In some installations, the subflooring or finished floor may necessitate angling the screws used to fasten the anti-tip bracket to the back wall.

### ANTI-TIP HARDWARE

- |    |                               |
|----|-------------------------------|
| 1  | Anti-tip bracket              |
| 12 | #12 x 2½" pan head screws     |
| 4  | ¾"-16 x 3¾" wedge anchors     |
| 12 | #12 flat washers              |
| 4  | #8-18 x 1¼" truss head screws |
| 4  | Nylon Zip-it® wall anchors    |

## Anti-Tip Bracket

### WOOD FLOOR APPLICATION

After properly locating the anti-tip bracket in the opening, drill pilot holes  $\frac{3}{16}$ " (5) diameter maximum in the wall studs or wall plate. Use the #12 screws and washers to secure the brackets. Verify the screws penetrate through the flooring material and into the wall studs or wall plate a minimum of  $\frac{3}{4}$ " (19). Refer to the illustration and chart below.

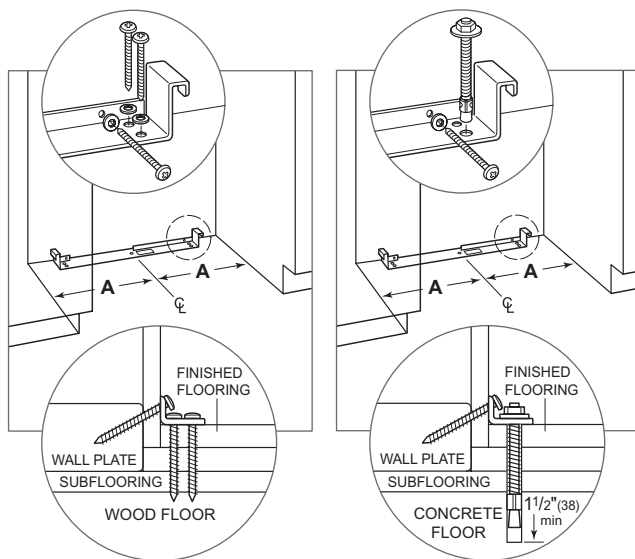
### CONCRETE FLOOR APPLICATION

After properly locating the anti-tip bracket in the opening, drill pilot holes  $\frac{3}{16}$ " (5) diameter maximum in the wall studs or wall plate. Drill  $\frac{3}{8}$ " (10) diameter holes into the concrete a minimum of  $1\frac{1}{2}$ " (38) deep. Use the #12 screws and washers to secure the brackets to the wall, and use the  $\frac{3}{8}$ " wedge anchors to secure the brackets to the floor. Verify the screws penetrate the wall studs or wall plate a minimum of  $\frac{3}{4}$ " (19). Refer to the illustration and chart below.

### ANTI-TIP BRACKET PLACEMENT

A

|           |           |
|-----------|-----------|
| 18" Model | 9" (229)  |
| 24" Model | 12" (305) |
| 30" Model | 15" (381) |



Wood floor

Concrete floor

### CONCRETE WEDGE ANCHOR INSTALLATION

- 1 Drill a  $\frac{3}{8}$ " (10) diameter hole any depth exceeding the minimum embedment. Clean the hole or drill additional depth to accommodate the drill fines.
- 2 Assemble the washer and nut flush with the end of anchor to protect threads. Drive the anchor through the material to be fastened until the washer is flush with the surface material.
- 3 Expand the anchor by tightening the nut 3–5 turns past hand-tight position or to 25 foot-pounds of torque.

#### ⚠ WARNING

Verify there are no electrical wires or plumbing in the area which the screws could penetrate.

#### ⚠ CAUTION

Always wear safety glasses and use other necessary protective devices or apparel when installing or working with anchors.

Anchors are not recommended for use in lightweight masonry material such as block or brick, or for use in new concrete which has not had sufficient time to cure. The use of core drills is not recommended to drill holes for the anchors.

## Placement

### **⚠ CAUTION**

**Before moving the unit into position, secure the door/drawers closed and protect any finished flooring.**

Use an appliance dolly to move the unit near the opening. The front leveling legs are extended below the front rollers to improve stability during placement. Once the unit is placed in front of the opening, completely retract the front leveling legs to allow the unit to be rolled into position. The front and rear leveling legs can be adjusted from the front once the unit is positioned.

If the unit has been on its back or side, it must stand upright for a minimum of 24 hours before connecting power.

Plug the power cord into the grounded outlet and roll the unit into position. Verify the anti-tip bracket is properly engaged.



## Alignment

### LEVELING

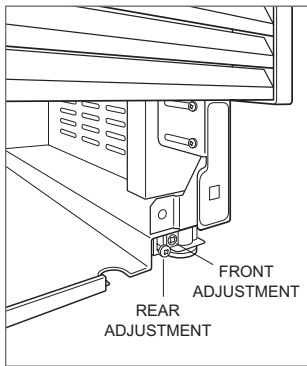
Once the unit is in position, the height adjustment can be made from the front. Using a Phillips drive, turn clockwise to raise the unit or counterclockwise to lower. Use the lowest torque setting when using a power drill. Do not turn the leveling legs by hand. Refer to the illustration below.

When the unit is properly leveled, door/drawer adjustments are less likely to be necessary.

**IMPORTANT NOTE:** Level the unit to the floor, not the surrounding cabinetry. This could affect the operation of the unit, such as door closing.

#### ⚠ WARNING

To reduce the possibility of the unit tipping forward, the front leveling legs must be in contact with the floor.



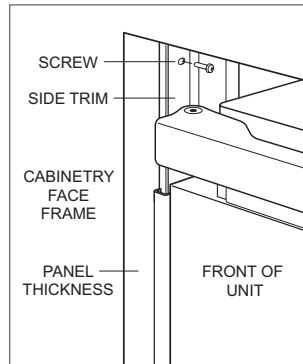
Leveling

### ANCHORING

Adjust the depth of the unit to fit flush with the surrounding cabinetry. Once aligned, verify the door/drawers open properly, then install the #8 x 1/2" flat-decorative head screws in each side trim.

#### ⚠ WARNING

To avoid a hazard due to instability of the appliance, it must be fixed in accordance with the instructions.



Anchoring

## Custom Panels

Custom door/drawer panels and handle hardware must be installed. Stainless steel panels are available through an authorized Sub-Zero dealer. For local dealer information, visit the find a showroom section of our website, [subzero.com](http://subzero.com).

The thickness of the custom panel can vary. A minimum  $\frac{5}{8}$ " (16) thick panel is required, but the thickness can be increased provided it does not exceed the maximum panel weight indicated in the chart below. The depth of each model is 24" (610). Allow for panel thickness when planning the finished opening depth.

### PANEL REQUIREMENTS

| <b>WEIGHT PER PANEL</b> | <b>MAX</b>    |
|-------------------------|---------------|
| Door (column model)     | 35 lb (16 kg) |
| Door (tall model)       | 25 lb (11 kg) |
| Drawer                  | 15 lb (7 kg)  |

| <b>PANEL THICKNESS</b> | <b>MIN</b>           |
|------------------------|----------------------|
| All Panels             | $\frac{5}{8}$ " (16) |

Reveals between panels can vary,  $\frac{1}{8}$ " (3) reveals are typical.

#### **⚠ CAUTION**

**When installing a panel thicker than 1" (25), the 90° door stop may be required to prevent damage to the unit and adjacent cabinetry.**

#### **⚠ CAUTION**

**As reveals between cabinetry and the unit decrease, severe finger pinching can occur while the door is closing.**

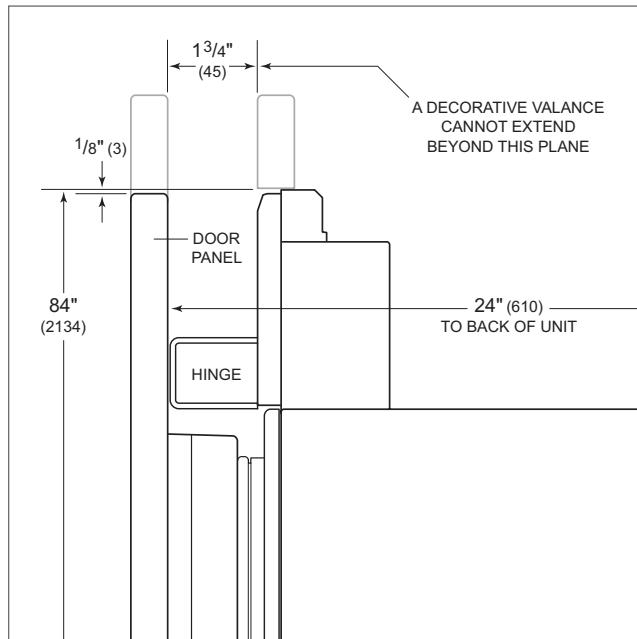
Finish all sides of the custom panels. They will be visible when the door is open.

D-style handles are recommended. Locate the door handle near the edge of the panel opposite the hinge and centered top to bottom. Locate the drawer handles near the top edge of each panel. Stainless steel tubular and pro handles are available through an authorized Sub-Zero dealer. For local dealer information, visit the find a showroom section of our website, [subzero.com](http://subzero.com).

## Custom Panels

### DOOR PANEL HEIGHT

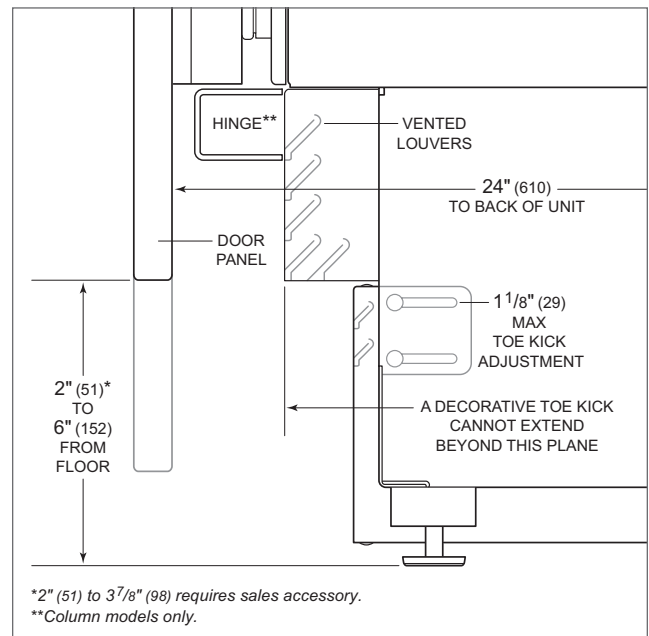
The height of the custom door panel can extend beyond the typical panel height, provided it does not exceed the weight limit. Refer to the illustration below.



Upper valance (side view)

### TOE KICK CLEARANCE

The height of the toe kick area can extend beyond the typical toe kick height, provided it does not exceed the dimensions in the illustration below. Toe kick heights from 2" (51) to 3 7/8" (98) require a reduced toe kick accessory available through an authorized Sub-Zero dealer. For questions regarding the installation, call Sub-Zero Customer Care at 800-222-7820.



\*2" (51) to 3 7/8" (98) requires sales accessory.  
\*\*Column models only.

Toe kick (side view)

## Panel Installation

### DOOR PANEL

Typical panel dimensions are based on an 84" (2134) finished height with 1/8" (3) reveals. Placement of the template must be adjusted for panels exceeding the typical dimensions.

For tall models, the door panel should be installed first, followed by the upper, then lower drawer panel.

Place the panel face down on a protected work surface. Position the template flush with the top and sides of the panel. Verify the correct side of the template is being used, then mark and drill holes. Refer to the illustration below.

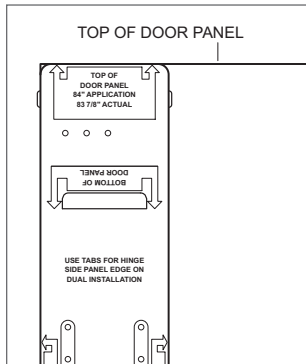
For tall models, align the notch in the template with the bottom of the door panel, then mark and drill holes. Refer to the illustration below.

Use a Torx drive to partially insert a #8 x 1/2" screw into the second hole from the top on each side of the panel. The screws should be approximately 3/16" (4) proud of the panel and will support the weight of the panel during installation.

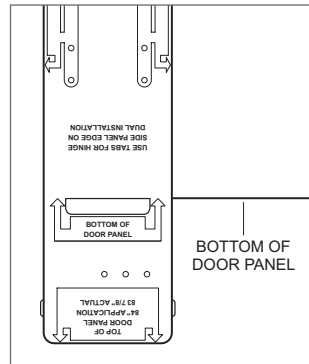
Align the support screws on the back of the panel with the slotted holes on both door mounting brackets. Refer to the illustration below. Opening the door slightly may help with alignment. Once the panel is supported by the screws, partially insert a #8 x 1/2" screw into the second hole from the bottom on each side of the panel, but do not tighten.

#### ⚠ CAUTION

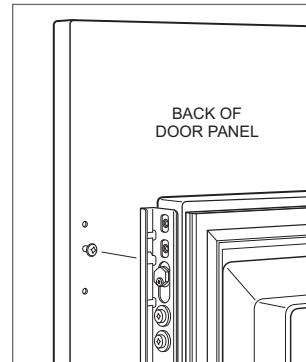
**As reveals between cabinetry and the unit decrease, severe finger pinching can occur while the door is closing.**



Door panel template—top



Door panel template—bottom (tall model)



Door panel mounting

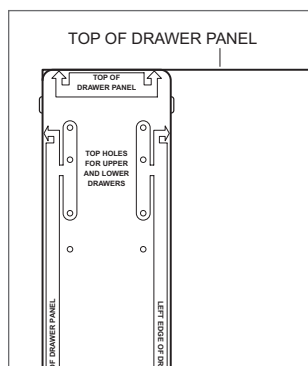
## Panel Installation

### DRAWER PANELS (TALL MODEL)

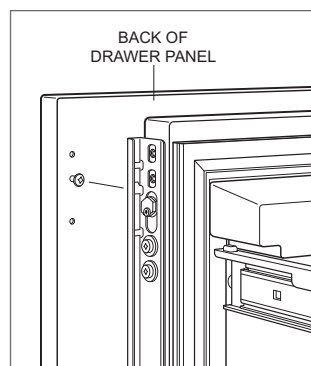
Place the panel face down on a protected work surface. Position the template flush with the top and sides of the panel. Verify the correct side of the template is being used, then mark and drill holes. Refer to the illustration below.

Use a Torx drive to partially insert a #8 x 1/2" screw into the second hole from the top on each side of the panel. The screws should be approximately 3/16" (4) proud of the panel and will support the weight of the panel during installation.

Align the support screws on the back of the panel with the slotted holes on both drawer mounting brackets. Refer to the illustration below. Opening the drawer slightly may help with alignment. Once the panel is supported by the screws, partially insert a #8 x 1/2" screw into the second hole from the bottom on each side of the panel, but do not tighten.



Drawer panel template—top



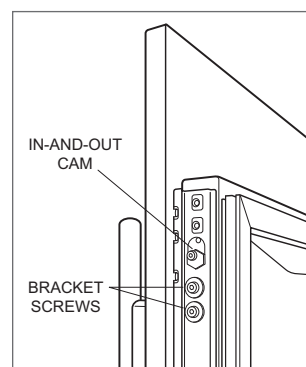
Drawer panel mounting

### PANEL ADJUSTMENT

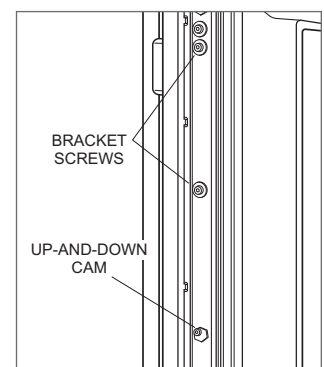
Close the door/drawers, now adjustments can be made to align the panels and reveals.

For side-to-side adjustment, move the panels side to side, then install and tighten all mounting screws.

For up-and-down and in-and-out adjustments, slightly loosen the bracket screws. Depending on the level of adjustment required, it may be helpful to loosen all of the bracket screws which will allow for maximum adjustment. Once the bracket screws are loosened, use a wrench to rotate the cams to make adjustments. After the adjustments have been made, tighten all bracket screws. Refer to the illustrations below.



In-and-out adjustment

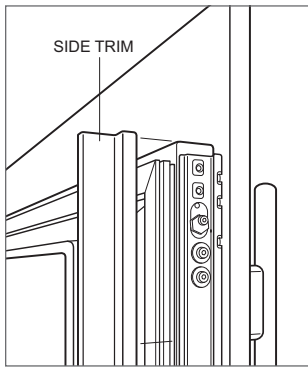


Up-and-down adjustment

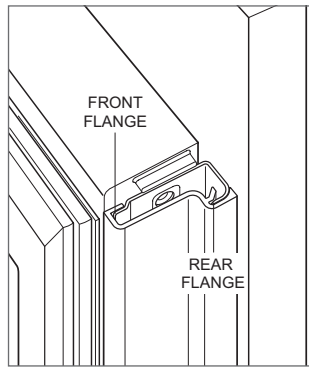
## Completion

### DOOR TRIM INSTALLATION

After the panels have been adjusted, install the decorative side trim to the door/drawers. To install, start at the top and align the trim with the front and rear flanges on the bracket, then snap into place by pushing the trim toward the back of the panel. Once the top is secure, continue the installation downward until the remaining trim is completely secure. Refer to the illustrations below.



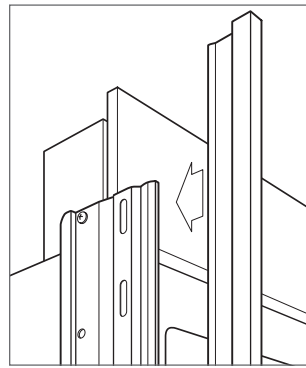
Door side trim



Bracket flanges

### SIDE TRIM INSTALLATION

Install the decorative trim strip to the handle side of tall and column models. The side trim snaps over the bracket attached to the handle side of the unit. Refer to the illustration below.



Side trim

## Completion

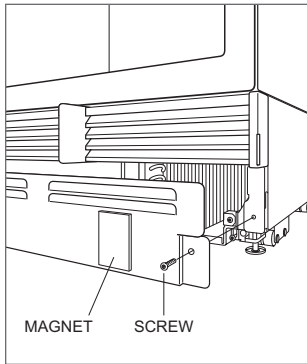
### KICKPLATE INSTALLATION

Position the kickplate and install using the two mounting screws. Refer to the illustration below. Kickplate must be removable for service. The floor cannot interfere with removal.

A maximum 6" (152) decorative kickplate can be attached to the factory-installed kickplate. The two rows of vented louvers can be covered if the door panel is a minimum 4" (102) from finished floor.

To install a decorative kickplate, remove the paper backing from the magnets and attach the decorative kickplate to the magnets. The magnets allow the decorative kickplate to be removed if necessary.

Turn power on by touching "power" on the control panel.



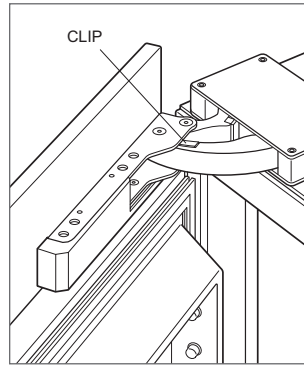
Kickplate installation

### 90° DOOR STOP

A 105° door stop is built into the hinges. To limit the door swing to 90°, open the door slightly less than 90°, then use a standard screwdriver blade to remove the existing clips from each hinge. Locate the 90° clips from inside the plastic bag containing the product literature, then insert the 90° clips onto each hinge. Refer to the illustration below.

#### ⚠ WARNING

**Follow all city and state laws when storing, recycling, or discarding unused refrigerators and freezers.**



90° door stop

## Contenido

- 3 Almacenamiento de vinos de la serie diseñador
- 4 Dimensiones de abertura
- 5 Requisitos eléctricos
- 6 Preparación
- 6 Soporte antivuelco
- 8 Colocación en posición
- 9 Alineación
- 10 Paneles
- 12 Instalación de los paneles
- 14 Finalización

Las características y especificaciones están sujetas a cambios sin previo aviso. Visite [subzero.com/specs](http://subzero.com/specs) para obtener la información más actualizada.

## Aviso importante

Para garantizar que este producto se instale y opere de la forma más segura y eficiente posible, tome nota de los siguientes tipos de información resaltada en este manual:

**AVISO IMPORTANTE** señala la información que es especialmente importante.

### ⚠ PRECAUCIÓN

Indica una situación en la que se pueden sufrir heridas leves o provocar daños al producto si no se siguen las instrucciones.

### ⚠ ADVERTENCIA

Indica peligro de que se produzcan heridas graves o incluso la muerte si no se siguen las precauciones.

**AVISO IMPORTANTE:** En toda esta guía, las dimensiones entre paréntesis son milímetros, a menos que se especifique lo contrario.

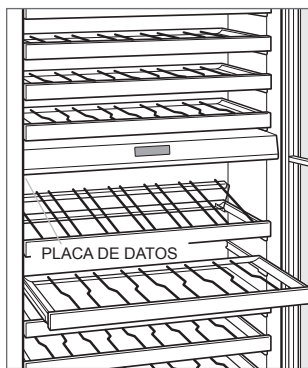
**AVISO IMPORTANTE:** Guarde estas instrucciones para el inspector eléctrico local.



## Información del producto

La información importante del producto, incluido el modelo y número de serie de la unidad, se encuentra en la placa de datos del producto. La placa de datos se encuentra en la parte de abajo del panel de control, a la izquierda. Consulte la siguiente ilustración.

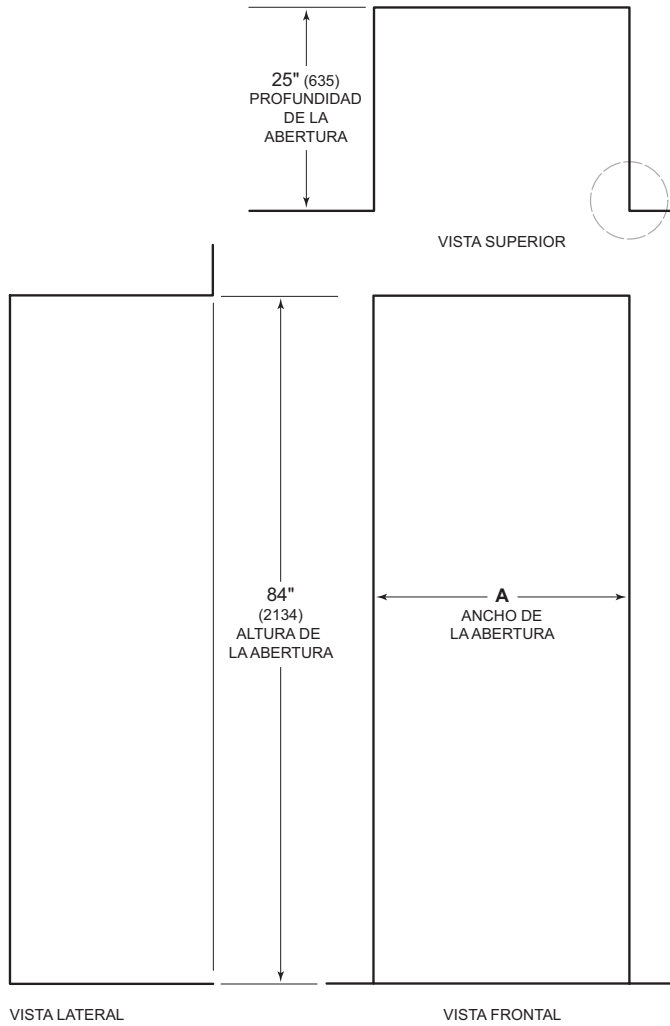
Si necesita servicio, póngase en contacto con el centro de servicio autorizado de Sub-Zero y tenga a la mano el modelo y número de serie de la máquina. Para obtener los datos del centro de servicio autorizado de Sub-Zero más cercano o si tiene preguntas acerca de la instalación, visite la sección de Soporte de productos de nuestro sitio web, [subzero.com](http://subzero.com) o llame a la línea de atención al cliente de Sub-Zero al 800-222-7820.



Ubicación de la placa de datos

## Dimensiones de abertura

### ALMACENAMIENTO DE VINOS



### DIMENSIONES DE ABERTURA

|               | A         |
|---------------|-----------|
| Modelo de 18" | 18" (457) |
| Modelo de 24" | 24" (610) |
| Modelo de 30" | 30" (762) |

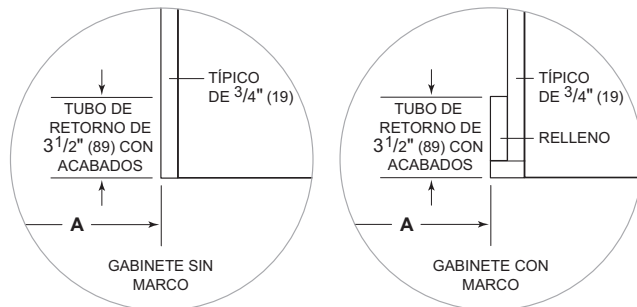
La profundidad de cada modelo de almacén de vinos es 24" (610). Para determinar la profundidad de la abertura ya con acabados, considere el grosor del panel. Se necesita un tubo de retorno de 3½" (89) con acabados en todos los lados de la abertura. Los gabinetes con marco necesitarán material de relleno de acabado detrás del marco frontal para lograr una instalación adecuada. Consulte la ilustración.

### INSTALACIÓN DOBLE

Al colocar dos unidades juntas en una instalación doble, el ancho de la abertura es la suma del ancho de ambas unidades. Para esta instalación se requiere un kit de instalación doble. Si el uso de un kit de instalación doble no está especificado, se debe utilizar una tira de relleno de 2" (51) como mínimo entre las unidades.

Los kits de instalación doble están disponibles a través de un distribuidor autorizado de Sub-Zero. Para obtener más información acerca de los distribuidores locales, visite la sección para encontrar una sala de exhibición de nuestro sitio web, [subzero.com](http://subzero.com). Para preguntas sobre la instalación, comuníquese con la línea de atención al cliente de Sub-Zero al 800-222-7820.

NOTA: Los tubos de retorno de 3½" (89) con acabados se podrán ver y se deben terminar para que se ajusten a los gabinetes.



## Requisitos eléctricos

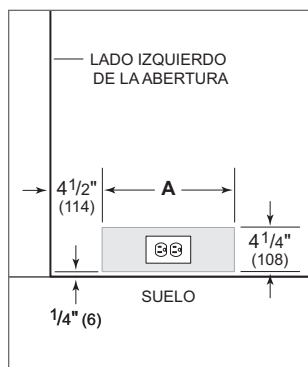
La instalación debe cumplir con todos los códigos eléctricos vigentes. El suministro eléctrico debe colocarse dentro del área sombreada que se muestra en la siguiente ilustración. Es necesario un circuito independiente que dé servicio únicamente a este aparato. No es recomendable utilizar un circuito de fallos de conexión a tierra (GFCI, por sus siglas en inglés) ya que puede interrumpir el funcionamiento de la unidad. El tomacorriente eléctrico debe colocarse de tal forma que la clavija con conexión a tierra quede a la derecha de las aspas más delgadas.

### REQUISITOS ELÉCTRICOS

|                      |                                 |
|----------------------|---------------------------------|
| Suministro eléctrico | 115 V CA, 60 Hz                 |
| Servicio             | Circuito dedicado de 15 amperes |
| Receptáculo          | Conexión a tierra de 3 clavijas |

### UBICACIÓN DEL SUMINISTRO ELÉCTRICO

|               | A          |
|---------------|------------|
| Modelo de 18" | 6" (152)   |
| Modelo de 24" | 9½" (241)  |
| Modelo de 30" | 12½" (318) |



Ubicación del suministro eléctrico

### ⚠ PRECAUCIÓN

Un electricista calificado debe revisar el tomacorriente para asegurarse de que la conexión se haya realizado con la polaridad correcta. Verifique que el tomacorriente esté debidamente conectado a tierra.

### ⚠ ADVERTENCIA

No ubique múltiples tomas de corriente portátiles, regletas o fuentes de alimentación portátiles en la parte posterior del aparato.

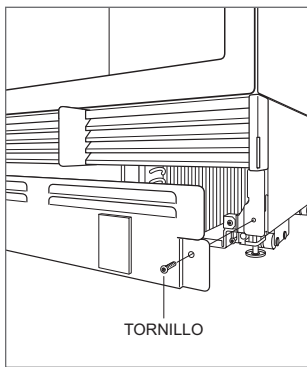
### ⚠ ADVERTENCIA

No utilice un cable de extensión ni retire la clavija con conexión a tierra del cable de alimentación.

## Preparación

Desembale la unidad e inspeccione si tiene algún daño. Retire la base de madera y deseche los pernos y soportes de transporte. Retire y recicle los materiales de embalaje. No deseche el zócalo, el soporte antivuelco ni las piezas de montaje.

Para quitar el zócalo extraiga los dos tornillos para montaje. Consulte la siguiente ilustración.



Extracción del zócalo

## Soporte antivuelco

### ⚠ ADVERTENCIA

**Para evitar que la unidad se vuelque hacia el frente, debe instalarse el soporte antivuelco.**

La parte posterior del soporte antivuelco debe instalarse a 24" (610) del frente de la unidad (sin paneles).

Utilice todas las piezas de montaje de los soportes antivuelco de acuerdo con las instrucciones para suelos de madera o de concreto.

**AVISO IMPORTANTE:** Para aplicaciones en suelo de madera o de concreto, si los tornillos del #12 no alcanzan un travesaño o la placa de pared, utilice tornillos del #8 y arandelas del #12 con los anclajes de pared.

**AVISO IMPORTANTE:** En algunas instalaciones el contrapiso o el suelo terminado pueden necesitar inclinar los tornillos utilizados para sujetar el soporte antivuelco a la pared del fondo.

## Soporte antivuelco

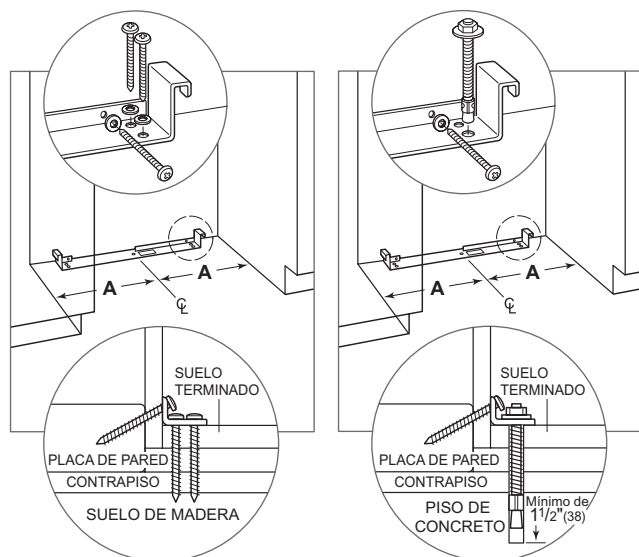
### APLICACIÓN EN SUELO DE MADERA

Después de ubicar apropiadamente el soporte antivuelco en la abertura, taladre los orificios guía con un diámetro máximo de  $\frac{3}{16}$ " (5) en los travesaños o en la placa de la pared. Utilice los tornillos #12 y las arandelas para sujetar los soportes. Compruebe que los tornillos penetren a través de los travesaños o la placa de la pared como mínimo  $\frac{3}{4}$ " (19). Consulte la ilustración y la tabla siguientes.

### APLICACIÓN EN PISO DE CONCRETO

Después de ubicar apropiadamente el soporte antivuelco en la abertura, taladre los orificios guía con un diámetro máximo de  $\frac{3}{16}$ " (5) en los travesaños o en la placa de la pared. Taladre orificios con un diámetro de  $\frac{3}{8}$ " (10) en el concreto con una profundidad de  $1\frac{1}{2}$ " (38) como mínimo. Utilice los tornillos #12 y las arandelas para sujetar los soportes a la pared, y utilice las anclas de cuña de  $\frac{3}{8}$ " para sujetar los soportes al suelo. Compruebe que los tornillos penetren a través de los travesaños o la placa de la pared como mínimo  $\frac{3}{4}$ " (19). Consulte la ilustración y la tabla siguientes.

| COLOCACIÓN DEL SOPORTE ANTIVUELCO | A         |
|-----------------------------------|-----------|
| Modelo de 18"                     | 9" (229)  |
| Modelo de 24"                     | 12" (305) |
| Modelo de 30"                     | 15" (381) |



Suelo de madera

Suelo de concreto

### INSTALACIÓN DE LAS ANCLAS DE CUÑA PARA CONCRETO

- 1 Haga un orificio de  $\frac{3}{8}$ " (10) de diámetro con una profundidad superior al empotrado mínimo. Limpie el orificio o continúe taladrando para hacer el orificio más profundo y que quepan los residuos en él.
- 2 Coloque la arandela y la tuerca al ras del extremo del ancla para proteger las roscas. Inserte el ancla a través del material que va a fijar hasta que la arandela quede al ras del material de la superficie.
- 3 Para expandir el ancla gire la tuerca de 3 a 5 vueltas para ajustarla hasta que quede bien apretada o a 25 libras-pie de torsión.

#### ⚠ ADVERTENCIA

Verifique que no haya cables eléctricos o tuberías en la zona donde va a introducir los tornillos.

#### ⚠ PRECAUCIÓN

Utilice siempre gafas de seguridad y otros dispositivos o prendas de protección que sean necesarios al instalar o trabajar con anclas.

No se recomienda el uso de anclas en material de mampostería poco pesado, como son los bloques o ladrillos; tampoco se recomienda utilizarlos en concreto fresco que no haya tenido tiempo suficiente para curar. No se recomienda el uso de brocas huecas para hacer los orificios para el ancla.

### Colocación

#### PRECAUCIÓN

**Antes de mover la unidad a su posición, asegúrese de que las puertas y los cajones estén cerrados y proteja el suelo con acabado.**

Utilice una plataforma rodante para mover la unidad cerca de la abertura. Las patas niveladoras delanteras se extienden por debajo de las ruedas delanteras para mejorar la estabilidad durante la colocación. Una vez que la unidad está colocada al frente de la abertura, retraiga completamente las patas niveladoras delanteras para poder deslizar la unidad a su sitio. Las patas niveladoras delanteras y traseras se pueden ajustar desde el frente de la unidad una vez que la misma está en su posición.

Si la unidad ha estado o está acostada o de lado, debe ponerla de pie y dejarla así durante un mínimo de 24 horas antes de conectarla al suministro eléctrico.

Conecte el cable de alimentación a la conexión a tierra y coloque la unidad en su sitio. Compruebe que el soporte antivuelco esté bien enganchado.

## Alineación

### NIVELACIÓN

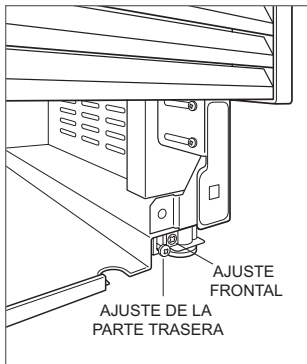
Una vez que la unidad está en posición, el ajuste de la altura se puede realizar desde la parte delantera. Con un destornillador Phillips, gire en sentido de las manecillas del reloj para levantar la unidad o en sentido opuesto de las manecillas del reloj para bajarla. Utilice la velocidad más baja para el par de torsión cuando utilice un taladro eléctrico. No ajuste las patas niveladoras con la mano.

Cuando la unidad está bien nivelada, no es tan necesario ajustar las puertas y los cajones.

**AVISO IMPORTANTE:** Nivele la unidad con el suelo, no con los gabinetes que la rodean. Esto podría afectar el funcionamiento de la unidad, por ejemplo el cerrado de la puerta.

#### ⚠ ADVERTENCIA

Para reducir la posibilidad de que la unidad se vuelque hacia adelante, las patas niveladoras delanteras deben estar en contacto con el suelo.



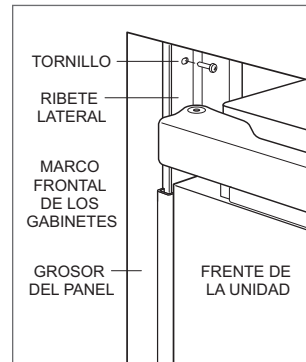
Nivelación

### ANCLAJE

Ajuste la profundidad de la unidad para que quede a ras con los gabinetes circundantes. Una vez alineados, verifique que las puertas y los cajones se abran correctamente, luego instale los tornillos de cabeza decorativa plana #8 x 1/2" en cada borde lateral.

#### ⚠ ADVERTENCIA

Para evitar un peligro debido a la inestabilidad del aparato, debe repararse de acuerdo con las instrucciones.



Anclaje

## Paneles personalizados

Deben instalarse paneles de puertas y cajones personalizados, y herrajes de manijas. Están disponibles paneles de acero inoxidable con los distribuidores autorizados Sub-Zero. Para obtener más información acerca de los distribuidores locales, visite la sección para encontrar una sala de exhibición de nuestro sitio web, [subzero.com](http://subzero.com).

Puede variar el grosor del panel personalizado. Se requiere un panel con un grosor mínimo de  $\frac{5}{8}$ " (16), pero puede aumentarse siempre y cuando no exceda el máximo peso del panel que indica la tabla siguiente. La profundidad de cada modelo es 24" (610). Para determinar la profundidad de la abertura ya con acabados, considere el grosor del panel.

### REQUISITOS DEL PANEL

| PESO DEL PANEL             | MAX           |
|----------------------------|---------------|
| Puerta (modelo de columna) | 35 lb (16 kg) |
| Puerta (modelo alto)       | 25 lb (11 kg) |
| Cajón                      | 15 lb (7 kg)  |

| GROSOR DEL PANEL  | MIN                  |
|-------------------|----------------------|
| Todos los paneles | $\frac{5}{8}$ " (16) |

Los márgenes entre paneles pueden variar; márgenes de  $\frac{1}{8}$ " (3) son típicos.

#### ⚠ PRECAUCIÓN

**Al instalar un panel de espesor mayor a 1" (25), puede ser necesario instalar un tope a 90° para evitar daños a la unidad y los gabinetes adyacentes.**

#### ⚠ PRECAUCIÓN

**Mientras más disminuyan los márgenes entre los gabinetes y la unidad, al cerrarse la puerta se pueden pellizcar fuertemente los dedos.**

Asegúrese de que todos los lados de los paneles personalizados tengan un buen acabado. Estos serán visibles con la puerta abierta.

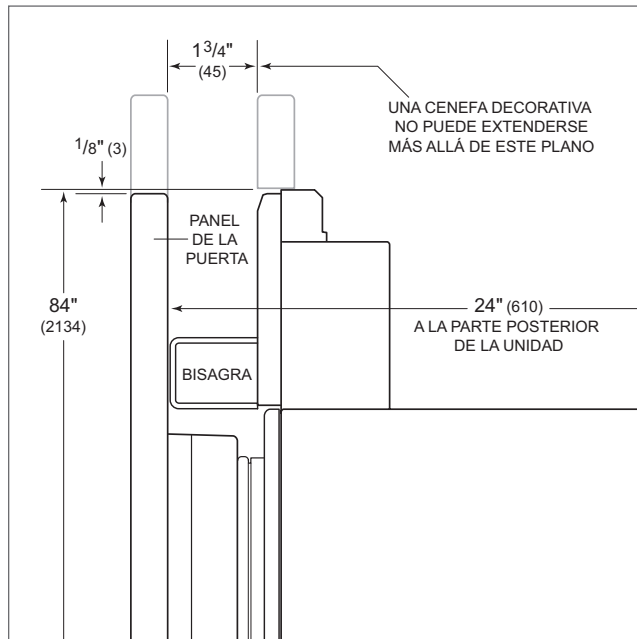
Se recomiendan manijas estilo D. Están disponibles manijas tubulares y pro de acero inoxidable con los distribuidores autorizados Sub-Zero. Para obtener más información acerca de los distribuidores locales, visite la sección para encontrar una sala de exhibición de nuestro sitio web, [subzero.com](http://subzero.com). Las manijas de las puertas deben colocarse cerca del borde del panel opuesto a la bisagra y deben centrarse entre los extremos superior e inferior. Las manijas de los cajones deben colocarse cerca del borde superior de cada panel.



## Paneles personalizados

### ALTURA DEL PANEL DE LA PUERTA

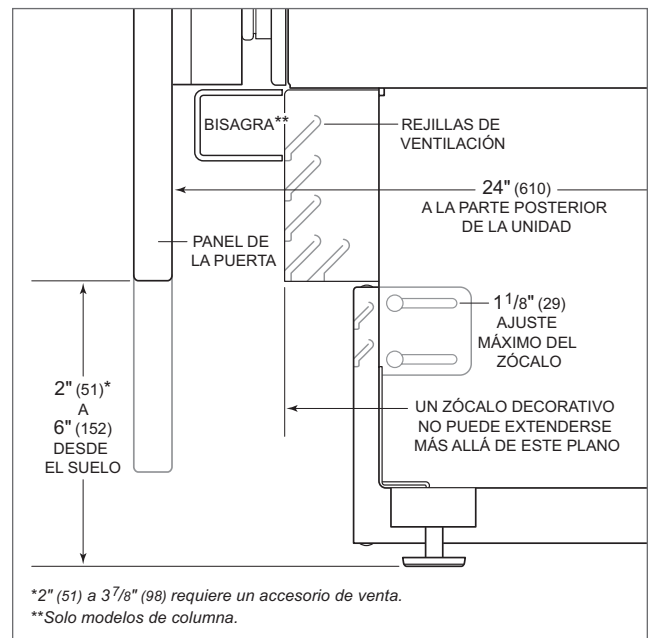
La altura del panel personalizado de la puerta puede ser mayor a su altura típica, siempre y cuando no se exceda el límite de peso. Consulte la siguiente ilustración.



Cenefa superior (vista lateral)

### ESPACIO DEL ZÓCALO

La altura de la zona del zócalo puede ser mayor que la altura típica, siempre y cuando no se excedan las dimensiones de la ilustración siguiente. Los zócalos de 2" (51) a 3 7/8" (98) de altura necesitan un accesorio reducido que se puede obtener a través de un distribuidor autorizado de Sub-Zero. Para preguntas sobre la instalación, comuníquese con la línea de atención al cliente de Sub-Zero al 800-222-7820.



Zócalo (vista lateral)

## Instalación de los paneles

### PANEL DE LA PUERTA

Las dimensiones típicas del panel están basadas en una altura terminada de 84" (2134) con márgenes de 1/8" (3). La colocación de la plantilla se debe ajustar para paneles que exceden las dimensiones típicas.

Para el modelo alto, primero se debe instalar el panel de la puerta, seguido por el panel del cajón superior y luego el inferior.

Coloque el panel boca abajo sobre una superficie de trabajo protegida. Coloque la plantilla a ras con la parte superior y los lados del panel. Compruebe que está usando el lado correcto de la plantilla, luego marque y taladre los orificios. Consulte la siguiente ilustración.

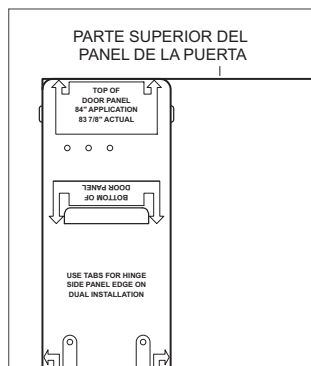
Para el modelo alto, alinee la muesca de la plantilla con la parte inferior del panel de la puerta, luego marque y taladre los orificios. Consulte la siguiente ilustración.

Utilice una unidad Torx para insertar parcialmente un tornillo # 8 x 1/2" en el segundo agujero desde la parte superior de cada lado del panel. Los tornillos deben sobresalir aproximadamente 3/16" (4) del panel y soportar el peso del panel durante la instalación.

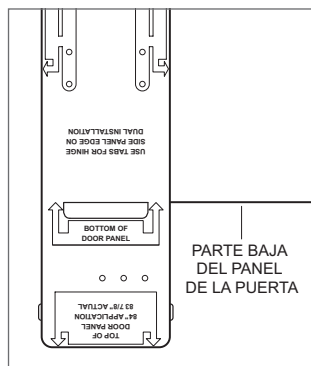
Alinee los tornillos de soporte en la parte posterior del panel con los agujeros ranurados en los dos soportes de montaje de la puerta. Abrir la puerta un poco puede ayudar con la alineación. Una vez que el panel esté soportado por los tornillos, inserte parcialmente un tornillo #8 x 1/2" en el segundo orificio desde la parte inferior en cada lado del panel, pero no lo apriete.

#### ⚠ PRECAUCIÓN

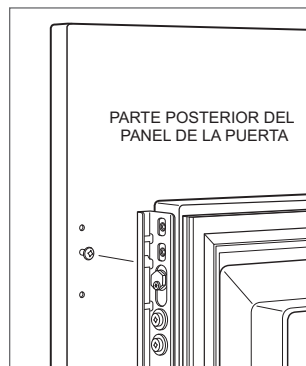
**A medida que el margen entre los gabinetes y la unidad disminuye, al cerrarse la puerta se puede pellizcar fuertemente los dedos.**



Plantilla del panel de la puerta— parte superior



Plantilla del panel de la puerta— parte inferior (modelo alto)



Montaje del panel de la puerta

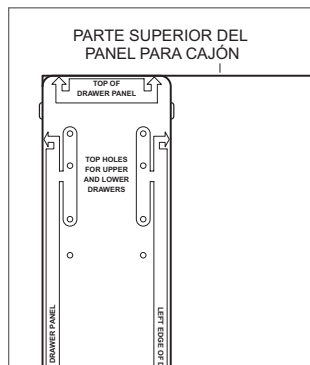
## Instalación de los paneles

### PANELES DE LOS CAJONES (MODELO ALTO)

Coloque el panel boca abajo sobre una superficie de trabajo protegida. Coloque la plantilla a ras con la parte superior y los lados del panel. Compruebe que está usando el lado correcto de la plantilla, luego marque y taladre los orificios. Consulte la siguiente ilustración.

Utilice una unidad Torx para insertar parcialmente un tornillo # 8 x 1/2" en el segundo agujero desde la parte superior de cada lado del panel. Los tornillos deben sobresalir aproximadamente 3/16" (4) del panel y soportar el peso del panel durante la instalación.

Alinee los tornillos de soporte en la parte posterior del panel con los agujeros ranurados en los dos soportes de montaje del cajón. Consulte la siguiente ilustración. Abrir un poco el cajón puede ayudar con la alineación. Una vez que el panel esté soportado por los tornillos, inserte parcialmente un tornillo #8 x 1/2" en el segundo orificio desde la parte inferior en cada lado del panel, pero no lo apriete.



Plantilla del panel del cajón— parte superior



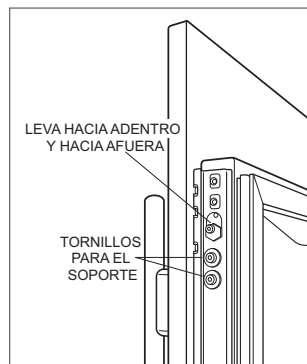
Montaje del panel del cajón

### AJUSTE DE LOS PANELES

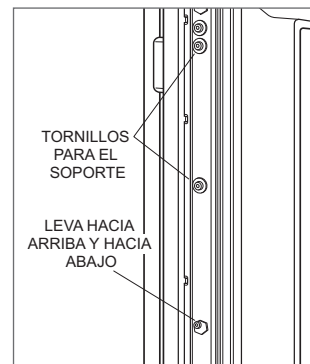
Cierre la puerta y los cajones, ahora puede realizar los ajustes necesarios para alinear los paneles y los márgenes.

Para el ajuste de lado a lado, mueva los paneles laterales de lado a lado, luego instale y apriete todos los tornillos de montaje.

Para los ajustes de arriba y hacia abajo, y hacia adentro y hacia afuera, afloje un poco los tornillos del soporte. Dependiendo del nivel de ajuste requerido, puede ser útil aflojar todos los tornillos del soporte lo que permitirá un ajuste máximo. Una vez que los tornillos del soporte estén aflojados, utilice una llave para girar las levas para hacer ajustes. Después de realizar los ajustes, apriete todos los tornillos del soporte. Consulte las siguientes ilustraciones.



Ajuste hacia adentro y hacia afuera

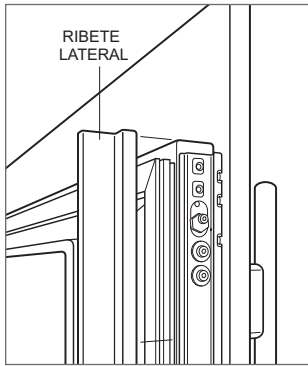


Ajuste hacia arriba y hacia abajo

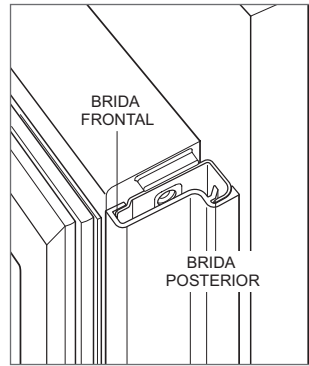
## Finalización

### INSTALACIÓN DEL RIBETE DE LA PUERTA

Una vez que los paneles estén ajustados, instale el lado decorativo del ribete en la puerta y los cajones. Para instalarlo, comience en la parte superior alinee el ribete con las bridas frontal y posterior en el soporte y colóquelo a presión en su lugar, empujando el ribete hacia la parte posterior del panel. Una vez que la parte inferior está asegurada, siga la instalación hacia abajo hasta que el ribete restante esté completamente asegurado. Consulte las siguientes ilustraciones.



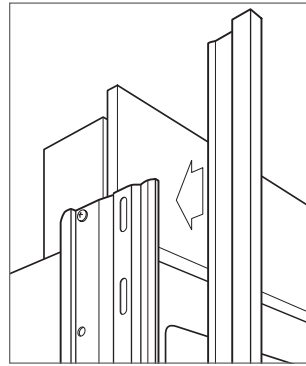
Ribete del lado de la puerta



Bridas de soporte

### INSTALACIÓN DEL RIBETE LATERAL

Instale la tira de ribete decorativo en el lado de la manija de los modelos altos y de columna. El ribete lateral se abrocha sobre el soporte unido al lado de la manija de la unidad. Consulte la siguiente ilustración.



Ribete lateral

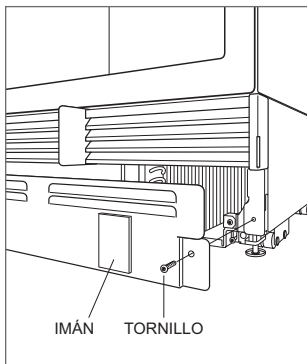
## Finalización

### INSTALACIÓN DEL ZÓCALO

Coloque el zócalo en su posición e instale con los dos tornillos para montaje. Consulte la siguiente ilustración. El zócalo debe ser desmontable para sacarlo cuando sea necesario dar servicio a la unidad. El suelo no debe interferir al desmontarlo.

Al zócalo instalado de fábrica se puede sujetar un zócalo decorativo de 6" (152) como máximo. Las dos filas de rejillas de ventilación pueden quedar cubiertas si el panel de la puerta se encuentra a una distancia mínima de 4" (102) del suelo terminado. Para instalar un zócalo decorativo, retire el papel protector de los imanes y adhiera el zócalo decorativo a los imanes. Los imanes permiten retirar el zócalo decorativo, si es necesario.

Para encender la unidad pulse el botón de 'encendido' en el panel de control.



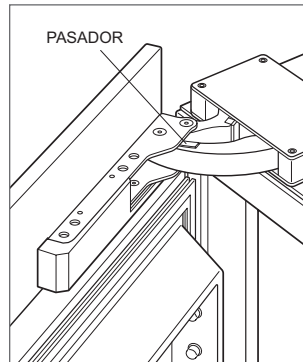
Instalación del zócalo

### TOPE PARA PUERTA A 90°

Las bisagras tienen integrado un tope de puerta de 105°. Para limitar la puerta a 90°, abra la puerta a un poco menos de 90°, a continuación utilice destornillador de hoja estándar para quitar los clips existentes de cada bisagra. Localice los clips de 90° en la bolsa de plástico que contiene la documentación del producto, a continuación, inserte los clips de 90° en cada bisagra. Consulte la siguiente ilustración.

#### ⚠ ADVERTENCIA

**Siga todas las leyes estatales y locales para almacenar, reciclar o desechar los refrigeradores y congeladores no utilizados.**



Tope para puerta a 90°

## Table des matières

- 3 Cellier à vin de la série Designer
- 4 Dimensions de l'ouverture
- 5 Exigences électriques
- 6 Préparation
- 6 Support antibasculement
- 8 Mise en place
- 9 Alignement
- 10 Panneaux
- 12 Installation des panneaux
- 14 Achèvement

Les caractéristiques et les spécifications peuvent être modifiées en tout temps sans préavis. Visitez [subzero.com/specs](http://subzero.com/specs) pour obtenir les renseignements les plus récents.

## Remarque importante

Pour s'assurer que ce produit est installé et utilisé en toute sécurité et aussi efficacement que possible, prenez note des types de renseignement mis en évidence tout au long de ce guide :

**REMARQUE IMPORTANTE** met en évidence des renseignements qui sont particulièrement importants.

### ▲ MISE EN GARDE

**Indique une situation où une blessure mineure ou des dommages au produit peuvent se produire si les directives ne sont pas respectées.**

### ▲ AVERTISSEMENT

**Décrit un danger qui peut causer une blessure grave ou la mort si les précautions ne sont pas respectées.**

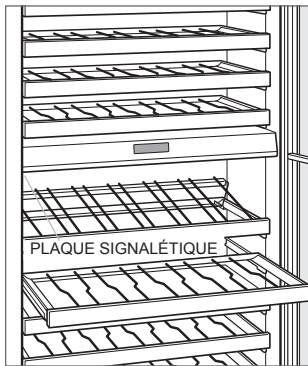
**REMARQUE IMPORTANTE** : Tout au long de ce guide, les dimensions entre parenthèses sont en millimètres à moins d'indication contraire.

**REMARQUE IMPORTANTE** : Conservez ces directives pour l'inspecteur en électricité local.

## Renseignements sur le produit

Des renseignements importants sur le produit, y compris les numéros de modèle et de série, se trouvent sur la plaque signalétique du produit. La plaque signalétique est située sur le côté inférieur du panneau de commande, à la gauche. Reportez-vous à l'illustration ci-dessous.

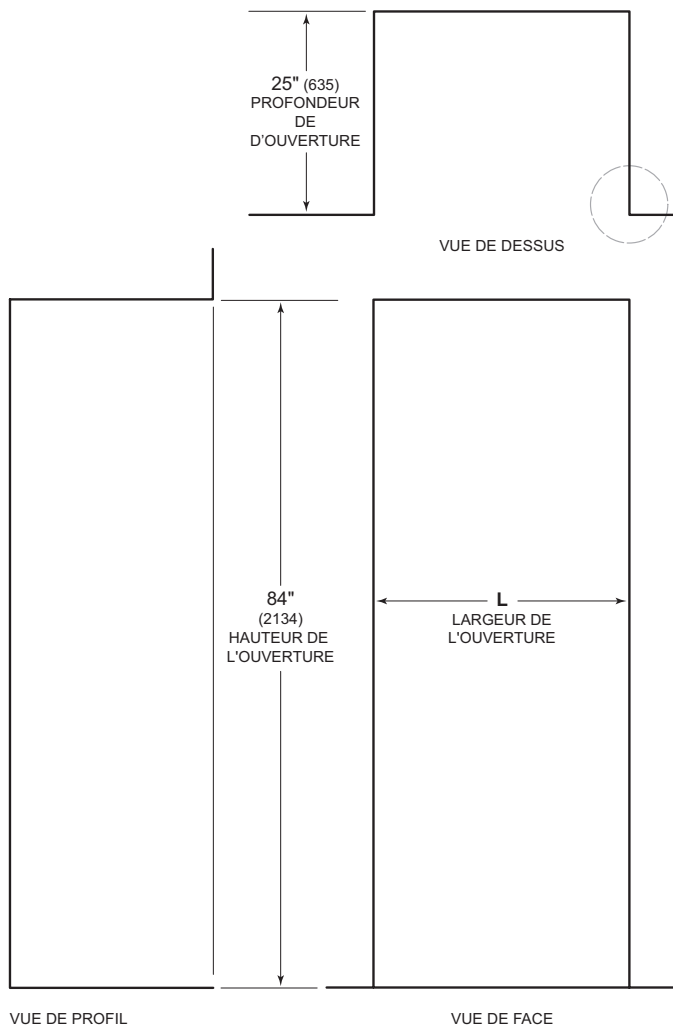
Si vous avez besoin de service, communiquez avec le service Sub-Zero certifié par l'usine avec les numéros de modèle et de série. Pour obtenir le nom du centre de service Sub-Zero certifié par l'usine le plus près de chez vous ou si vous avez des questions concernant l'installation, visitez la section Support produit de notre site Web, [subzero.com](http://subzero.com) ou appelez le service à la clientèle de Sub-Zero au 800-222-7820.



Emplacement de la plaque signalétique

## Dimensions de l'ouverture

### CELLIER À VIN



#### DIMENSIONS DE L'OUVERTURE

|                 | L           |
|-----------------|-------------|
| Modèle de 18 po | 18 po (457) |
| Modèle de 24 po | 24 po (610) |
| Modèle de 30 po | 30 po (762) |

La profondeur de chaque modèle de cellier est de 24 po (610). Allouez de l'espace pour l'épaisseur du panneau durant la planification de la profondeur de l'ouverture finie. Un retour fini d'au moins 3½ po (89) est requis sur tous les côtés de l'ouverture. Les armoires encadrées nécessiteront un matériau de remblayage supplémentaire derrière le cadre avant pour obtenir une installation appropriée. Reportez-vous à l'illustration.

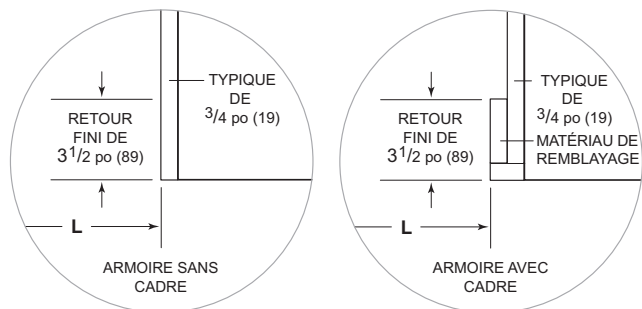
#### INSTALLATION DOUBLE

Lors de l'installation de deux unités l'une à côté de l'autre dans une installation double, la largeur de l'ouverture est la largeur des deux unités additionnées ensemble. Une trousse d'installation double sera requise pour cette installation.

Si une trousse d'installation double n'est pas précisée, une languette de remplissage d'au moins 2 po (51) est recommandée entre les unités.

Les trousse d'installation double sont offertes par les dépositaires Sub-Zero autorisés. Pour obtenir des renseignements sur votre dépositaire local, visitez la section salle d'exposition de notre site Web, [subzero.com](http://subzero.com). Si vous avez des questions au sujet de l'installation, communiquez avec le service à la clientèle de Sub-Zero au 800-222-7820.

REMARQUE : Les retours finis de 3½ po (89) seront visibles et doivent être finis pour s'apparier aux armoires





## Exigences électriques

L'installation doit se conformer à tous les codes électriques applicables.

L'alimentation électrique doit se trouver à l'intérieur de la zone ombragée indiquée dans l'illustration et le tableau ci-dessous. Un circuit séparé servant uniquement cet appareil est requis. Un disjoncteur de fuite de terre (GFCI) n'est pas recommandé et peut interrompre le fonctionnement.

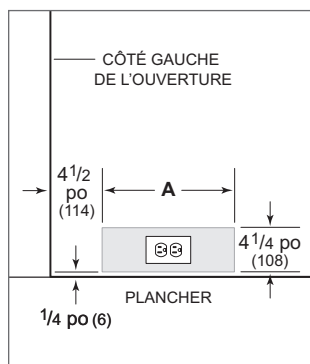
La prise doit être placée de façon à ce que la broche de mise à la terre se trouve à la droite des broches plus minces.

### EXIGENCES ÉLECTRIQUES

|                         |                                 |
|-------------------------|---------------------------------|
| Alimentation électrique | 115 volts CA, 60 Hz             |
| Service                 | Circuito dedicado de 15 amperes |
| Prise                   | mise à la terre à trois broches |

### EMPLACEMENT DE L'ALIMENTATION ÉLECTRIQUE A

|                 |              |
|-----------------|--------------|
| Modèle de 18 po | 6 po (152)   |
| Modèle de 24 po | 9½ po (241)  |
| Modèle de 30 po | 12½ po (318) |



Emplacement de l'alimentation électrique

#### ⚠ MISE EN GARDE

Cette prise doit être vérifiée par un électricien qualifié pour s'assurer qu'elle est câblée avec la polarité appropriée. Assurez-vous que la prise est correctement mise à la terre.

#### ⚠ AVERTISSEMENT

Ne placez pas plusieurs prises de courant portables, multiprises ou blocs d'alimentation portables à l'arrière de l'appareil.

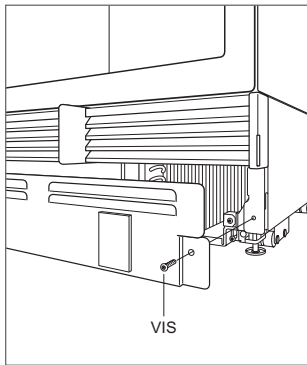
#### ⚠ AVERTISSEMENT

N'utilisez pas une rallonge et ne retirez pas la broche de mise à la terre du cordon d'alimentation.

## Préparation

Sortez l'unité de la boîte et examinez-la pour vous assurer qu'elle n'est pas endommagée. Retirez la base en bois et jetez les boulons et les supports d'expédition. Retirez et recyclez les matériaux d'emballage. Ne jetez pas la plaque de protection, le support antibasculement et la quincaillerie.

Retirez la plaque de protection en enlevant les deux vis de montage. Reportez-vous à l'illustration ci-dessous.



Retrait de la plaque de protection

## Support antibasculement

### ⚠ AVERTISSEMENT

**Pour empêcher l'unité de basculer vers l'avant, le support antibasculement doit être installé.**

L'arrière du support antibasculement doit être installé à une distance de 24 po (610) de l'avant de l'unité (sans panneaux). Utilisez toute la quincaillerie pour le support antibasculement selon les directives pour les planchers en bois ou en béton.

**REMARQUE IMPORTANTE :** pour les applications sur des planchers en bois ou en béton, si les vis n° 12 ne touchent pas un poteau mural ou une plaque murale, utilisez les vis n° 8 et les rondelles n° 12 avec les dispositifs d'ancrage au mur.

**REMARQUE IMPORTANTE :** dans certaines installations, le sous-plancher ou le plancher fini peuvent nécessiter l'inclinaison des vis utilisées pour fixer le support antibasculement au mur arrière.

## Support antibasculement

### APPLICATION SUR UN PLANCHER EN BOIS

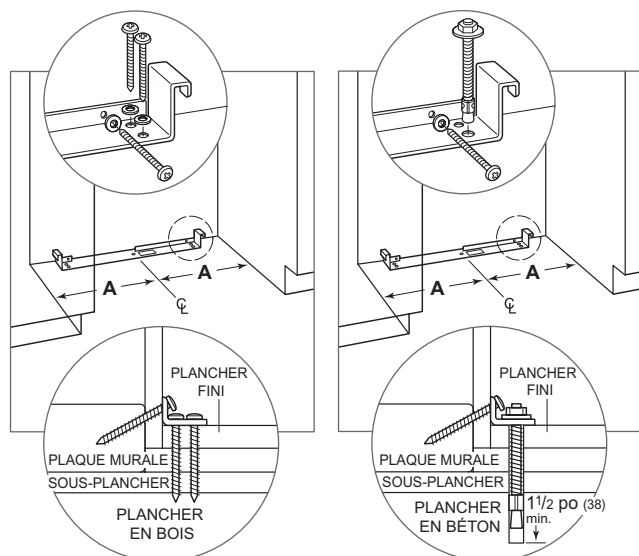
Après avoir correctement repéré le support antibasculement dans l'ouverture, percez des avant-trous de  $\frac{3}{16}$  po (5) de diamètre au maximum dans les poteaux muraux ou la plaque murale. Utilisez les vis et les rondelles n° 12 pour fixer les supports. Vérifiez que les vis pénètrent dans le matériau du plancher et dans les poteaux muraux ou la plaque murale d'une distance d'au moins  $\frac{3}{4}$  po (19). Reportez-vous à l'illustration et au tableau ci-dessous.

### APPLICATION SUR UN PLANCHER EN BÉTON

Après avoir correctement repéré le support antibasculement dans l'ouverture, percez des avant-trous de  $\frac{3}{16}$  po (5) de diamètre au maximum dans les poteaux muraux ou la plaque murale. Percez des trous de  $\frac{3}{8}$  po (10) de diamètre dans le béton d'une profondeur d'au moins  $1\frac{1}{2}$  po (38). Utilisez les vis et les rondelles n° 12 pour fixer les supports au mur et utilisez les cales d'ancrage de  $\frac{3}{8}$  po (10) pour fixer les supports au plancher. Vérifiez que les vis pénètrent dans les poteaux muraux ou la plaque murale d'une distance d'au moins  $\frac{3}{4}$  po (19). Reportez-vous à l'illustration et au tableau ci-dessous.

### MISE EN PLACE DU SUPPORT ANTIBASQUEMENT A

|                 |             |
|-----------------|-------------|
| Modèle de 18 po | 9 po (229)  |
| Modèle de 24 po | 12 po (305) |
| Modèle de 30 po | 15 po (381) |



Plancher en bois

Plancher en béton

### INSTALLATION DE LA CALE D'ANCRAGE POUR BÉTON

- 1 Percez un trou de  $\frac{3}{8}$  po (10) de diamètre de toute profondeur excédant le noyage minimal. Nettoyez le trou ou continuez à percer plus profondément pour accommoder les fines de perçage.
- 2 Assemblez la rondelle et l'écrou à égalité avec l'extrémité de la cale d'ancrage pour protéger les filets. Enfoncez la cale d'ancrage dans le matériau à fixer jusqu'à ce que la rondelle soit à égalité avec la surface du matériau.
- 3 Ouvrez la cale d'ancrage en serrant l'écrou de trois à cinq tours au-delà de la position serrée à la main ou un couple de 25 pi-lb.

#### ⚠ AVERTISSEMENT

Vérifiez qu'il n'y ait pas de fils électriques ou de plomberie dans la zone qui pourraient être pénétrés par les vis.

#### ⚠ MISE EN GARDE

Portez toujours des lunettes de sécurité et utilisez d'autres dispositifs ou vêtements de protection nécessaires lors de l'installation ou du travail avec des dispositifs d'ancrage.

Il n'est pas recommandé d'utiliser des dispositifs d'ancrage dans de la maçonnerie légère comme des blocs ou de la brique, ou dans du nouveau béton qui n'a pas eu assez de temps pour sécher. L'utilisation de forets-alésoirs n'est pas recommandée pour percer les trous des cales d'ancrage.

### Mise en place

#### MISE EN GARDE

**Avant de mettre l'unité en place, sécurisez la porte/ les tiroirs en position fermée et protégez tout plancher fini.**

Utilisez un chariot à appareil pour déplacer l'unité près de l'ouverture. Les pieds d'inclinaison avant sont allongés sous les roulettes avant pour améliorer la stabilité durant la mise en place. Une fois l'unité placée devant l'ouverture, rentrez complètement les pieds d'inclinaison avant afin de pouvoir rouler l'unité en place. Les pieds d'inclinaison avant et arrière peuvent être réglés à partir de l'avant lorsque l'unité est en place.

Si l'unité a été posée sur le dos ou le côté, elle doit être mise debout pendant au moins 24 heures avant de relier l'alimentation.

Branchez le cordon d'alimentation dans une prise mise à la terre et roulez l'unité en place. Vérifiez que le support antibasculement est correctement enclenché.

## Alignement

### NIVELLEMENT

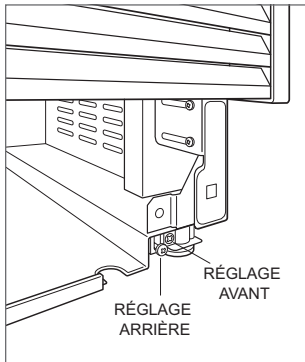
Une fois l'unité en place, le réglage de la hauteur peut être effectué à partir de l'avant. Au moyen d'un tournevis cruciforme, tournez dans le sens horaire pour relever l'unité ou dans le sens antihoraire pour l'abaisser. Utilisez le réglage de couple le plus bas lorsque vous utilisez une perceuse électrique. Ne tournez pas les pieds d'inclinaison à la main.

Lorsque l'unité est correctement mise au niveau, des réglages à la porte/aux tiroirs sont moins susceptibles d'être nécessaires.

**REMARQUE IMPORTANTE :** nivelez l'unité en fonction du plancher, pas des armoires environnantes. Cela pourrait affecter le fonctionnement de l'unité, comme la fermeture de la porte.

### ⚠ AVERTISSEMENT

**Afin de réduire le risque de basculement vers l'avant de l'unité, les pieds d'inclinaison avant doivent être en contact avec le sol.**



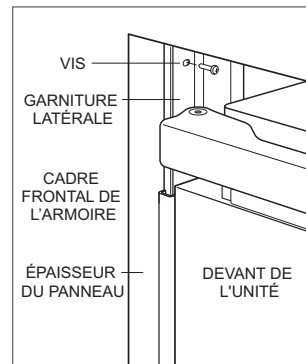
Nivellement

### ANCRAGE

Réglez la profondeur de l'unité pour s'adapter aux armoires environnantes. Une fois aligné, vérifiez que les portes et les tiroirs s'ouvrent correctement, puis installez les vis à tête plate décorative #8 x 1/2 po dans chaque garniture latérale.

### ⚠ AVERTISSEMENT

**Pour éviter tout danger dû à l'instabilité de l'appareil, celui-ci doit être fixé conformément aux instructions.**



Ancrage

## Panneaux personnalisés

La quincaillerie de la poignée et des panneaux de porte/tiroir personnalisés doit être installée. Des panneaux en acier inoxydable sont offerts par les dépositaires Sub-Zero autorisés. Pour obtenir des renseignements sur votre dépositaire local, visitez la section salle d'exposition de notre site Web, [subzero.com](http://subzero.com).

L'épaisseur du panneau personnalisé peut varier. Un panneau d'une épaisseur d'au moins 5/8 po (16) est requis, mais l'épaisseur peut être augmentée à condition de ne pas dépasser le poids maximal du panneau indiqué dans le tableau ci-dessous. La profondeur de chaque modèle est de 24 po (610). Allouez de l'espace pour l'épaisseur du panneau durant la planification de la profondeur de l'ouverture finie.

### EXIGENCES DU PANNEAU

| POIDS DU PANNEAU          | MAX           |
|---------------------------|---------------|
| Porte (modèle en colonne) | 35 lb (16 kg) |
| Porte (modèle grand)      | 25 lb (11 kg) |
| Tiroir                    | 15 lb (7 kg)  |

| ÉPAISSEUR DU PANNEAU | MIN         |
|----------------------|-------------|
| Tous les panneaux    | 5/8 po (16) |

Les jeux entre les panneaux peuvent varier; des jeux de 1/8 po (3) sont typiques.

#### ⚠ MISE EN GARDE

**Lorsque vous installez un panneau mesurant plus de 1 po (25) d'épaisseur, la butée de 90° peut être requise pour éviter d'endommager l'unité et les armoires adjacentes.**

#### ⚠ MISE EN GARDE

**Lorsque les jeux entre les armoires et l'unité diminuent, il y a des risques de pincements de doigts graves pendant la fermeture de la porte.**

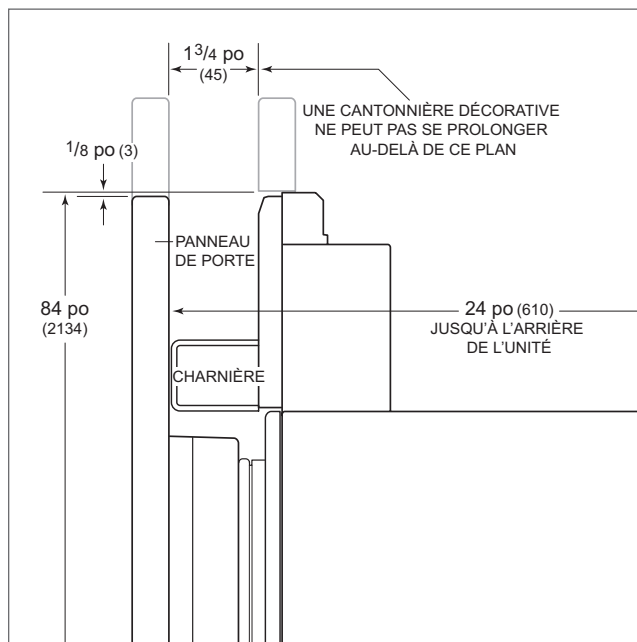
Finissez tous les côtés des panneaux personnalisés. Ils seront visibles lorsque la porte est ouverte.

Des poignées de style en D sont recommandées. Des poignées tubulaires et professionnelles en acier inoxydable sont offertes par les dépositaires Sub-Zero autorisés. Pour obtenir des renseignements sur votre dépositaire local, visitez la section salle d'exposition de notre site Web, [subzero.com](http://subzero.com). Les poignées de porte doivent se trouver près du rebord du panneau opposé à la charnière et être centrées de haut en bas. Les poignées de tiroir doivent être situées près du rebord supérieur de chaque panneau.

## Panneaux personnalisés

### HAUTEUR DU PANNEAU DE PORTE

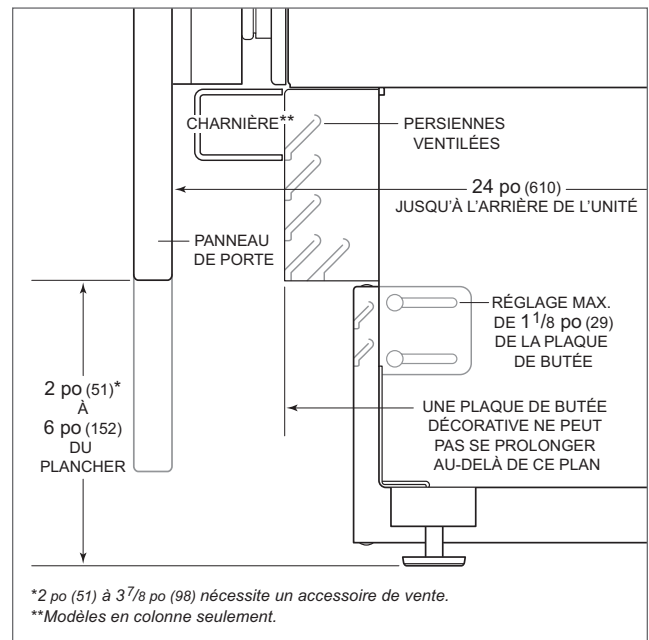
La hauteur du panneau de porte personnalisé peut se prolonger au-delà de la hauteur typique d'un panneau à condition de ne pas dépasser la limite de poids. Reportez-vous à l'illustration ci-dessous.



Cantonnière supérieure (vue latérale)

### DÉGAGEMENT DE LA PLAQUE DE BUTÉE

La hauteur de la zone de la plaque de butée peut se prolonger au-delà de la hauteur typique de la plaque de butée, à condition qu'elle ne dépasse pas les dimensions dans l'illustration ci-dessous. Les hauteurs de plaque de butée de 2 po (51) à 3 7/8 po (98) nécessitent un accessoire de plaque de butée réduit offert par les dépositaires Sub-Zero autorisés. Si vous avez des questions au sujet de l'installation, communiquez avec le service à la clientèle de Sub-Zero au 800-222-7820.



\*2 po (51) à 3 7/8 po (98) nécessite un accessoire de vente.  
\*\*Modèles en colonne seulement.

Plaque de butée (vue latérale)

## Installation des panneaux

### PANNEAU DE PORTE

Les dimensions typiques d'un panneau sont fondées sur une hauteur finie de 84 po (2 134) avec des jeux de 1/8 po (3). La position du gabarit doit être ajustée pour les panneaux qui dépassent les dimensions typiques.

Pour le modèle grand, le panneau de porte doit être installé en premier, suivi du panneau du tiroir supérieur, puis celui du tiroir inférieur.

Placez le panneau vers le bas sur une surface de travail protégée. Placez le gabarit à égalité avec le haut et les côtés du panneau. Assurez-vous d'utiliser le bon côté du gabarit, puis marquez et percez les trous. Reportez-vous à l'illustration ci-dessous.

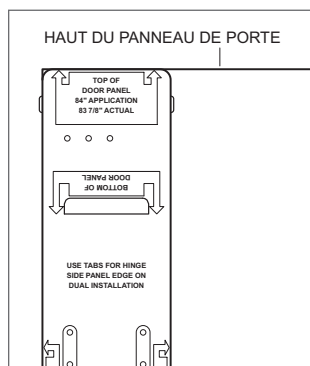
Pour le modèle grand, alignez l'encoche du gabarit avec le bas du panneau de porte, puis marquez et percez les trous. Reportez-vous à l'illustration ci-dessous.

Utilisez un lecteur Torx pour insérer partiellement une vis n° 8 x 1/2 po dans le deuxième trou du haut de chaque côté du panneau. Les vis doivent dépasser le panneau d'environ 3/16 po (4) et soutiendront le poids du panneau pendant l'installation.

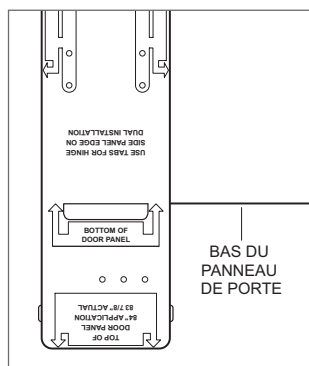
Alignez les vis de soutien à l'arrière du panneau avec les trous allongés sur les deux supports de montage de porte. Ouvrir la porte légèrement peut aider à effectuer l'alignement. Une fois le panneau soutenu par les vis, insérez partiellement une vis n° 8 x 1/2 po dans le deuxième trou à partir du bas de chaque côté du panneau, mais ne serrez pas.

#### ⚠ MISE EN GARDE

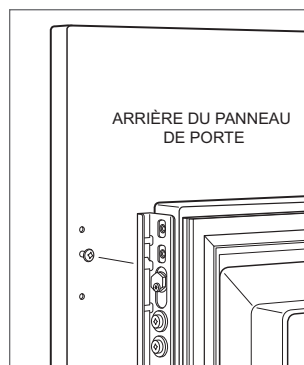
**Lorsque le jeu entre les armoires et l'unité diminue, le risque de pincement des doigts augmente si ces derniers sont placés dans l'ouverture lorsque la porte se ferme.**



Gabarit du panneau de porte—haut



Gabarit du panneau de porte—bas (modèle grand)



Montage du panneau de porte



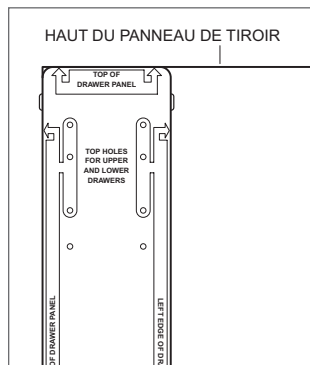
## Installation des panneaux

### PANNEAUX DE TIROIR (MODÈLE GRAND)

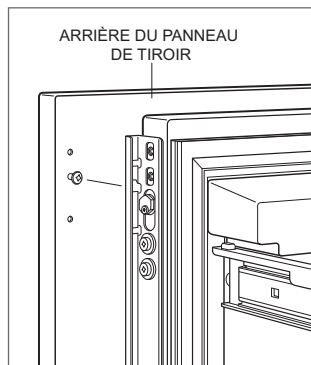
Placez le panneau vers le bas sur une surface de travail protégée. Placez le gabarit à égalité avec le haut et les côtés du panneau. Assurez-vous d'utiliser le bon côté du gabarit, puis marquez et percez les trous. Reportez-vous à l'illustration ci-dessous.

Utilisez un lecteur Torx pour insérer partiellement une vis n° 8 x 1/2 po dans le deuxième trou du haut de chaque côté du panneau. Les vis doivent dépasser le panneau d'environ 3/16 po (4) et soutiendront le poids du panneau pendant l'installation.

Alignez les vis de soutien à l'arrière du panneau avec les trous allongés sur les deux supports de montage de tiroir. Reportez-vous à l'illustration ci-dessous. Ouvrir le tiroir légèrement peut aider à effectuer l'alignement. Une fois le panneau soutenu par les vis, insérez partiellement une vis n° 8 x 1/2 po dans le deuxième trou à partir du bas de chaque côté du panneau, mais ne serrez pas.



Gabarit du panneau de tiroir— haut



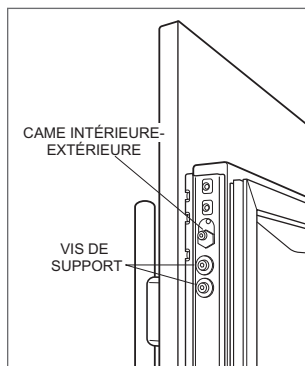
Montage du panneau de tiroir haut

### RÉGLAGE DU PANNEAU

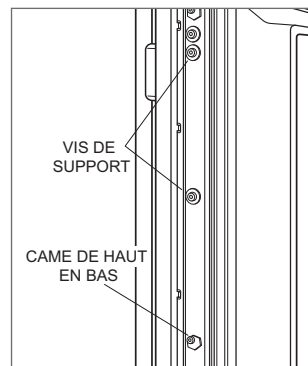
Fermez la porte ou les tiroirs. Des réglages peuvent maintenant être effectués pour aligner les panneaux et les jeux.

Pour le réglage d'un côté à l'autre, déplacez les panneaux d'un côté à l'autre, puis installez et serrez toutes les vis de montage.

Pour les réglages de haut en bas et vers l'intérieur ou l'extérieur, desserrez légèrement les vis du support. Selon le niveau de réglage requis, il pourra s'avérer utile de desserrer toutes les vis du support pour permettre un réglage maximal. Une fois que les vis de fixation sont desserrées, utilisez une clé pour faire tourner les came pour effectuer des réglages. Une fois les réglages terminés, serrez toutes les vis du support. Reportez-vous aux illustrations ci-dessous.



Réglage vers l'intérieur ou l'extérieur

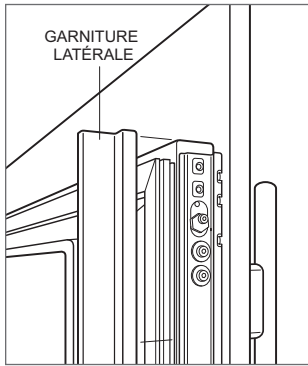


Réglage de haut en bas

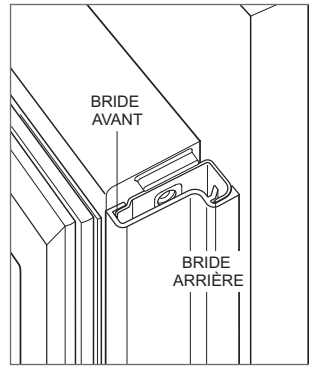
## Achèvement

### INSTALLATION DE LA GARNITURE DE PORTE

Une fois les panneaux bien ajustés, installez la garniture décorative latérale sur la porte/les tiroirs. Pour installer, commencez par le haut et alignez la garniture avec les brides avant et arrière du support, puis enclenchez en place en poussant la garniture vers l'arrière du panneau. Une fois la partie supérieure sécurisée, continuez l'installation vers le bas jusqu'à ce que la garniture restante soit complètement fixée. Reportez-vous aux illustrations ci-dessous.



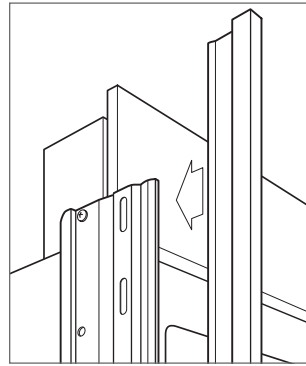
Garniture latérale de porte



Brides du support

### INSTALLATION DE LA GARNITURE LATÉRALE

Installez la bande de garniture décorative du côté de la poignée des modèles en hauteur et en colonne. La garniture latérale s'enclenche sur le support fixé sur le côté poignée de l'unité. Reportez-vous à l'illustration ci-dessous.



Garniture latérale

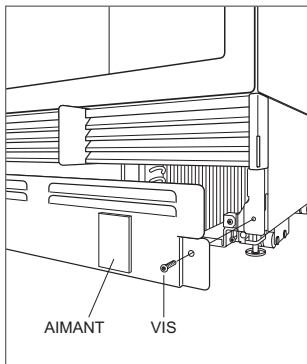
## Achèvement

### INSTALLATION DE LA PLAQUE DE PROTECTION

Placez la plaque de protection et installez-la au moyen des deux vis de montage. Reportez-vous à l'illustration ci-dessous. La plaque de protection doit pouvoir être enlevée pour toute réparation. Le plancher ne doit pas nuire à l'enlèvement.

Une plaque de protection décorative d'un maximum de 6 po (152) peut être fixée à la plaque de protection installée en usine. Les deux rangées de persiennes ventilées peuvent être couvertes si un panneau de porte se trouve à au moins 4 po (102) du plancher fini. Pour installer la plaque de protection décorative, retirez l'endos en papier des aimants et fixez la plaque de protection décorative aux aimants. Les aimants permettent le retrait de la plaque de protection décorative, si nécessaire.

Coupez le courant en appuyant sur la touche « power » sur le panneau de commande.



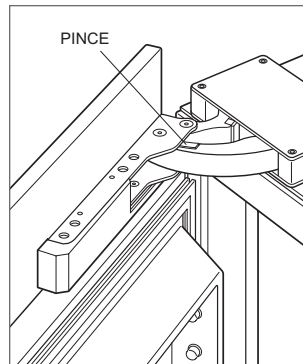
Installation de la plaque de protection

### BUTÉE DE PORTE DE 90°

Une butée de porte de 105° est intégrée dans les charnières. Pour limiter l'ouverture de la porte à 90°, ouvrez la porte un peu moins que 90°, puis utilisez la lame d'un tournevis standard pour enlever les pinces existantes de chaque charnière. Repérez les pinces de 90° dans le sac en plastique contenant la documentation du produit, puis insérez les pinces de 90° dans chaque charnière. Reportez-vous à l'illustration ci-dessous.

#### ⚠ AVERTISSEMENT

**Respectez toutes les lois provinciales et locales lors de l'entreposage, le recyclage ou l'élimination des réfrigérateurs et des congélateurs non utilisés.**



Butée de porte de 90°



SUB-ZERO, INC. P.O. BOX 44848 MADISON, WI 53744 SUBZERO.COM 800.222.7820

9050074 REV-B

2/2022

