

PRO WALL HOOD
INSTALLATION GUIDE

SPECIFICATIONS, INSTALLATION, AND MORE



Contents

- 3 Pro Wall Hood
- 4 Safety Precautions
- 5 Specifications
- 9 Installation
- 14 Blower Specifications
- 15 Troubleshooting

Features and specifications are subject to change at any time without notice. Visit wolfappliance.com/specs for the most up-to-date information.

Important Note

To ensure this product is installed and operated as safely and efficiently as possible, take note of the following types of highlighted information throughout this guide:

IMPORTANT NOTE highlights information that is especially important.

CAUTION indicates a situation where minor injury or product damage may occur if instructions are not followed.

WARNING states a hazard that may cause serious injury or death if precautions are not followed.

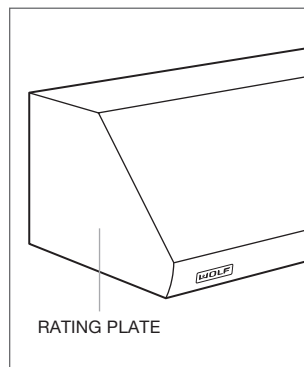
IMPORTANT NOTE: Throughout this guide, dimensions in parentheses are millimeters unless otherwise specified.

IMPORTANT NOTE: Save these instructions for the local electrical inspector.

Product Information

Important product information, including the model and serial number, are listed on the product rating plate. The rating plate is located inside the left wall of the hood shell. Refer to the illustration below.

If service is necessary, contact Wolf Factory Certified Service with the model and serial number. For the name of the nearest Wolf Factory Certified Service or for questions regarding the installation, visit the contact and support section of our website, wolfappliance.com, or call Wolf Customer Care at 800-222-7820.



Rating plate location

IMPORTANT INSTRUCTIONS

TO REDUCE THE RISK OF FIRE, ELECTRIC SHOCK, OR INJURY, OBSERVE THE FOLLOWING:

- Installation work and electrical wiring must be done by qualified person(s) in accordance with all applicable codes and standards, including fire-rated construction.
- Two installers are recommended due to the size and weight of the pro hood.
- Install the pro hood only with a blower manufactured by Wolf.
- When cutting or drilling into the wall or ceiling, do not damage electrical wiring and other hidden utilities.
- Ducted fans must always be vented to the outdoors.

⚠ CAUTION

To reduce the risk of fire and properly exhaust air, be certain to duct air outside. Do not vent exhaust air into spaces within walls or ceilings or into attics, crawl spaces, or garages.

SPECIFICATIONS

Installation Requirements

Installation of the hood should be 30" (762) to 36" (914) from the bottom of the hood to the countertop.

BLOWER ASSEMBLIES

Pro Wall Hoods require an internal, in-line, or remote blower assembly, available through an authorized Wolf dealer. For local dealer information, visit the find a showroom section of our website, wolfappliance.com. Refer to specific installation instructions provided with each blower assembly.

For internal blowers, install the blower prior to mounting the hood.

HORIZONTAL DISCHARGE

Pro Low-Profile Wall Hoods have an adjustable discharge. Pro Wall Hoods that are 24" (610) and 27" (686) deep have a vertical discharge. A horizontal discharge kit is available through your authorized Wolf dealer. For local dealer information, visit the find a showroom section of our website, wolfappliance.com.

DUCT COVER

Optional stainless steel duct covers, in multiple heights, are available through your authorized Wolf dealer. Duct covers must be attached to the hood prior to hood installation. For local dealer information, visit the find a showroom section of our website, wolfappliance.com.

RECIRCULATING APPLICATION

Pro Wall Hoods in 30" and 36" widths with an internal blower (600 CFM or less), can be used in a non-ducted application with a recirculating filter. A recirculation kit, available through an authorized Wolf dealer, is required. For local dealer information, visit the find a showroom section of our website, wolfappliance.com.

Ducting

⚠ WARNING

To reduce the risk of fire, use only metal ducting.

IMPORTANT NOTE: Consult a qualified HVAC professional for specific installation and ducting applications.

Pro Wall Hoods accommodate a 10" (254) round duct. Use only rigid metal ducting.

A straight, short duct run allows the hood to perform most efficiently. If the duct run exceeds 50' (15 m), a higher CFM blower may be required to maintain proper air flow.

Internal and in-line blowers require a roof or wall cap. Connect ducting to the cap or to the remote blower and work back towards the hood. Use sheet metal screws and high-temperature duct tape to seal joints between ducting sections.

Pro Wall Hoods include a backdraft damper. Local codes may require the use of an additional backdraft and/or make-up air damper. Contact your local HVAC professional for specific requirements.

A make-up air damper is available through an authorized Wolf dealer. For local dealer information, visit the find a showroom section of our website, wolfappliance.com.

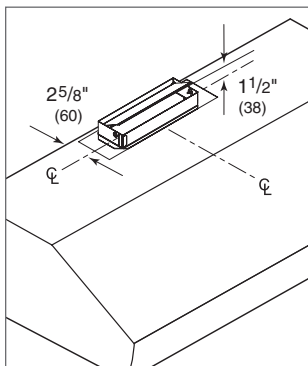
SPECIFICATIONS

Discharge

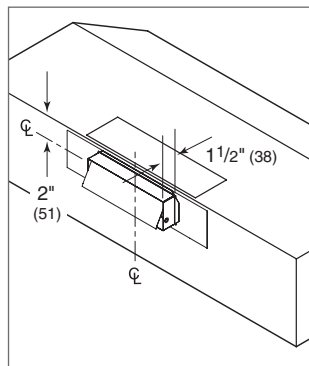
LOW-PROFILE WALL HOOD

Pro Low-Profile Wall Hoods with an internal blower can have a vertical or horizontal discharge. Refer to the illustrations below.

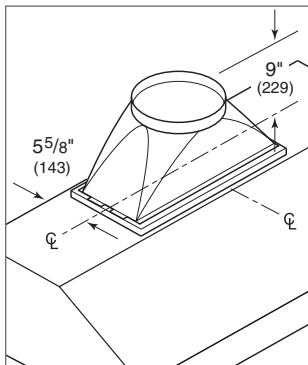
For Pro Low-Profile Wall Hoods with an in-line or remote blower, a transition is required.



Vertical discharge



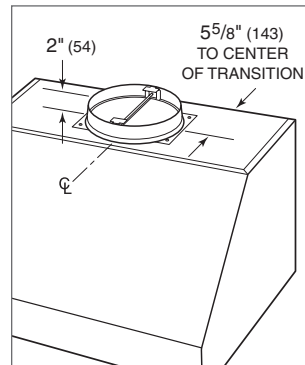
Horizontal discharge



Accessory round transition

24"/27" DEEP WALL HOOD

Pro Wall Hoods that are 24" (610) and 27" (686) deep have a vertical discharge. Refer to the illustration below.



Vertical discharge

SPECIFICATIONS

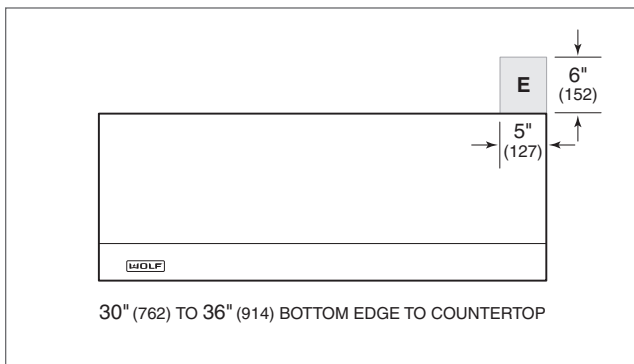
Electrical Requirements

Installation must comply with all applicable electrical codes.

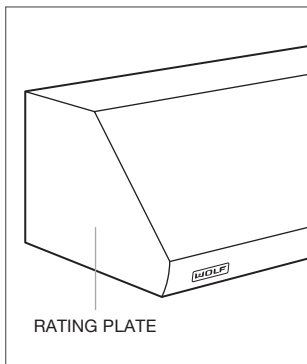
Locate the electrical supply as shown in the illustration below. A separate circuit servicing only this appliance is required.

ELECTRICAL REQUIREMENTS

| | |
|-------------------|--------------------------|
| Electrical Supply | grounded, 120 VAC, 60 Hz |
| Service | 15 amp dedicated circuit |



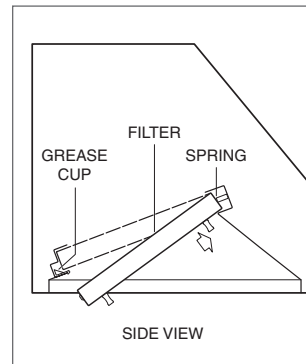
Electrical location



Rating plate location

Hood Preparation

Remove the filters prior to installation. To remove, press the filter upward and rotate the bottom. Remove the grease cups from the bottom edge of the hood. Refer to the illustration below.



Filters

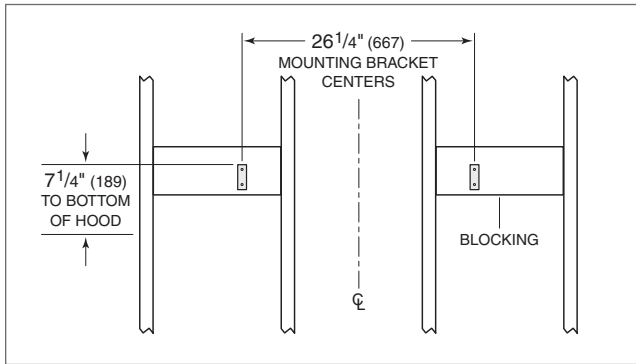
Low-Profile Wall Hood

INSTALLATION

⚠ WARNING

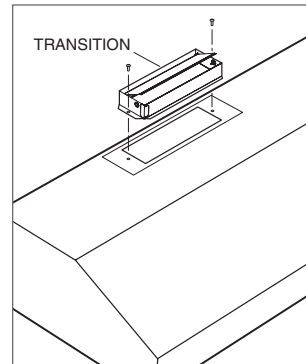
Wall framing must be able to support the weight of the hood and internal blower, if applicable.

- 1 Refer to the illustration for typical wall framing. Additional framing or blocking is required in the mounting bracket location.
- 2 Position the mounting brackets on the wall as shown in the illustration below. Secure the brackets to the wall framing and blocking with the provided screws and washers.

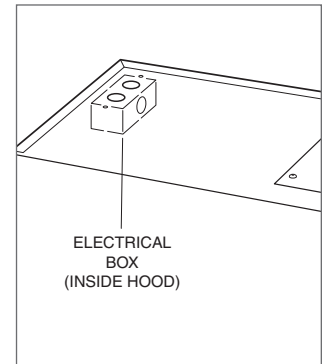


Mounting bracket location

- 3 Install the transition. For an internal blower, the transition is included with the blower. For in-line and remote blowers, a transition is required (not provided). Refer to the illustration below.
- 4 Place the hood on the mounting brackets. Secure with the provided screws through the mounting holes on the back panel. Verify the screws engage the wall framing or blocking. If additional support is required, drill supplementary holes through the back panel and secure with screws and washers.
- 5 Insert Romex® wire(s) into the electrical box knockout and secure with a UL or C/UL approved connector (not provided).
- 6 Connect the ducting to the transition and secure with duct sealing tape.



Transition (internal blower)



Electrical box location

INSTALLATION

24"/27" Deep Wall Hood

INSTALLATION

⚠ WARNING

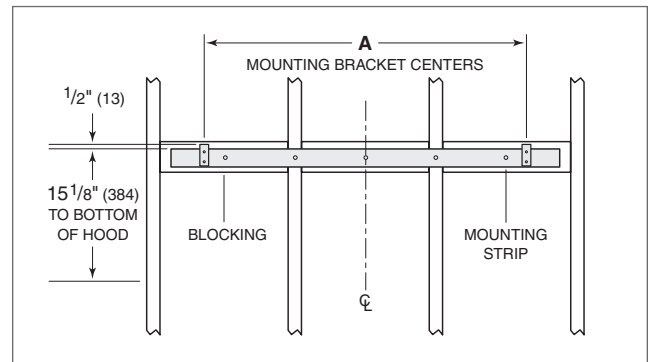
Wall framing must be able to support the weight of the hood and internal blower, if applicable.

- 1 Refer to the illustration for typical wall framing. Additional framing or blocking is required in the mounting bracket location.
- 2 A wood mounting strip and hardware are provided with the hood. Secure the mounting strip to the wall framing and blocking with the provided screws and washers.

- 3 Position the mounting brackets on the mounting strip as shown in the illustration below. Secure the brackets to the mounting strip with the provided screws and washers.

MOUNTING BRACKET LOCATION

| | A |
|-----------------|----------------|
| 30" (762) Hood | 23 1/2" (597) |
| 36" (914) Hood | 24 1/2" (622) |
| 42" (1067) Hood | 30 1/2" (775) |
| 48" (1219) Hood | 36 1/2" (927) |
| 54" (1372) Hood | 42 1/2" (1080) |
| 60" (1524) Hood | 48 1/2" (1232) |
| 66" (1675) Hood | 54 1/2" (1384) |



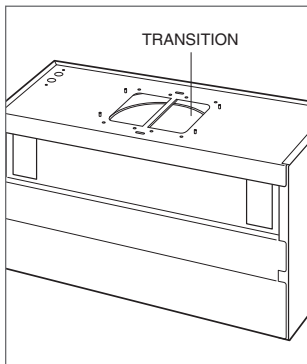
Mounting bracket location

INSTALLATION

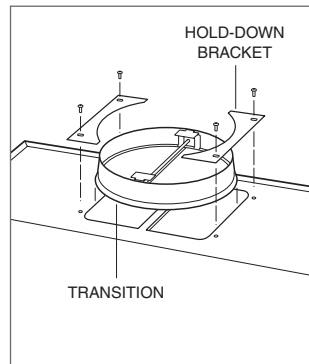
24"/27" Deep Wall Hood

INSTALLATION

- 4 The hood is shipped with the transition attached upside down inside the top of the hood. Refer to the illustration below.
- 5 Separate the transition from the hood by removing the hold-down brackets. Remove the shipping material from the transition.
- 6 Mount the transition and hold-down brackets to the top of the hood using the existing screws. Refer to the illustration below.
- 7 For internal blowers, install the blower prior to mounting the hood. Refer to the instructions provided with the blower.

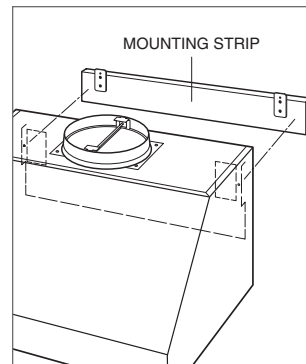


Transition position (shipping)

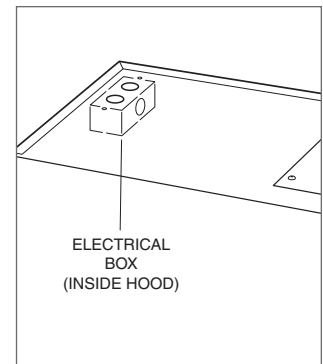


Transition mounting

- 8 Place the hood on the mounting brackets. Secure with the provided screws through the mounting holes on the back panel. If additional support is required, drill supplementary holes through the back panel and secure with screws and washers.
- 9 Insert Romex® wire(s) into the electrical box knockout and secure with a UL or C/UL approved connector (not provided).
- 10 Connect the ducting to the transition and secure with duct sealing tape.



Hood installation



Electrical box location

Electrical Connections

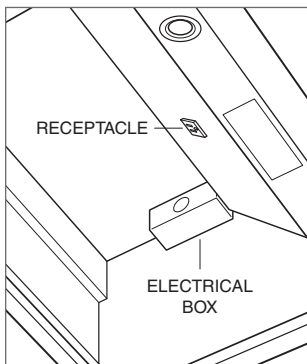
⚠ WARNING

Before making electrical connections, verify power is turned off at the service panel.

IMPORTANT NOTE: Refer to installation instructions provided with the blower assembly.

INTERNAL BLOWER

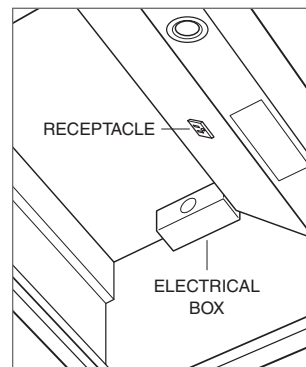
- 1 Remove the hood's electrical box cover.
- 2 Connect black to black and white to white with the provided connectors, and connect the green/bare wire to the ground screw.
- 3 Place all wiring connections inside the electrical box. Verify all wires are secure and not pinched, and reinstall the cover.
- 4 Insert the blower power cord into the receptacle inside the hood. Refer to the illustration below. Turn the power on and check operation.



Blower receptacle

IN-LINE/REMOTE BLOWER

- 1 Remove the hood's electrical box cover.
- 2 Connect the home supply. Connect black to black and white to white with the provided connectors, and connect the green/bare wire to the ground screw.
- 3 Connect the blower supply to the power cord provided with the blower. Connect black to black, white to white, and the green/bare wire to the ground screw.
- 4 Place all wiring connections inside the electrical box. Verify all wires are secure and not pinched, and reinstall the cover.
- 5 Insert the blower power cord into the receptacle inside the hood. Refer to the illustration below. Turn the power on and check operation.



Blower receptacle

INSTALLATION

Complete the Installation

FILTERS

Install the grease cups at the bottom rear edge of the hood. Orient the filters with the lines running vertically. To install, place the top edge of the filter against the spring, press upward and rotate the bottom. Refer to the illustration below.

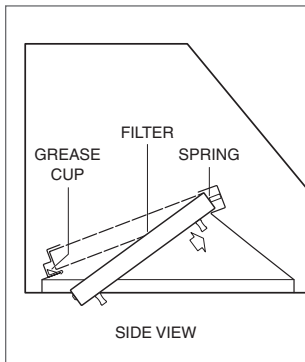
LIGHT BULBS

A suction-cup-style light bulb changer is provided with the hood. To install, use the changer to push the bulb into the receptacle and rotate counterclockwise one-quarter turn. Refer to the illustration below.

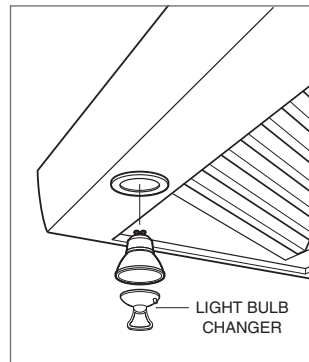
For 27" (686) deep wall hoods, install the heat lamp bulbs (not included). Use R40, 250W bulbs.

WOLF LOGO

To attach the Wolf logo, clean the mounting area with rubbing alcohol. Remove the paper backing, position the logo parallel with the bottom of the hood, then press into place.



Filters

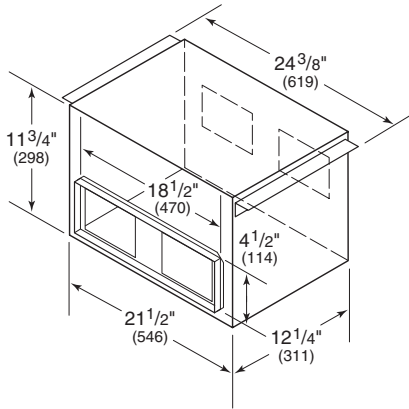


Light bulb installation

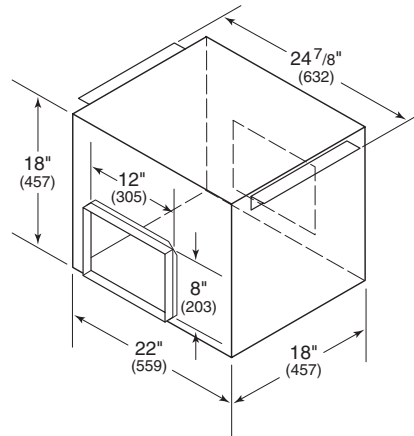
BLOWER SPECIFICATIONS

Blower Dimensions

IN-LINE BLOWERS

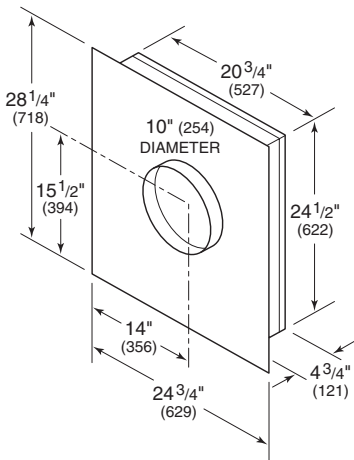


600 CFM in-line blower

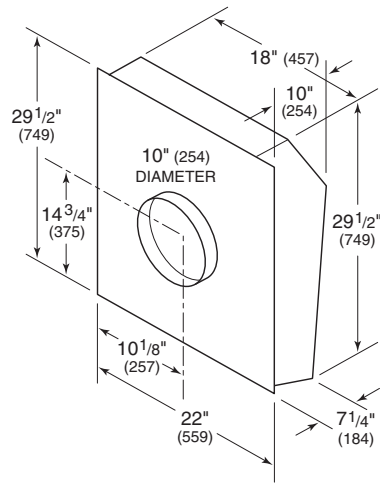


1100 CFM in-line blower

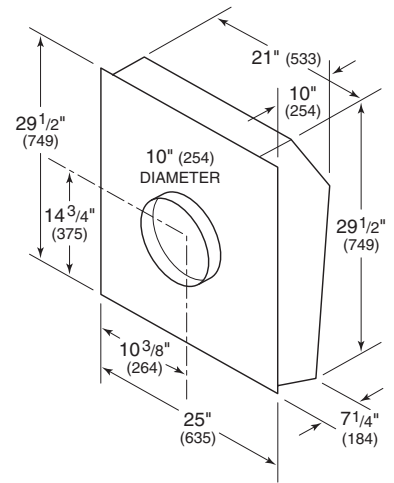
REMOTE BLOWERS



600/900 CFM remote blower



1200 CFM remote blower



1500 CFM remote blower

Troubleshooting

IMPORTANT NOTE: If the hood does not operate properly, follow these troubleshooting steps:

- Verify electrical power is supplied to the hood.
- Verify proper wiring connections.
- If the hood does not operate properly, contact Wolf Factory Certified Service. Do not attempt to repair the hood. Wolf is not responsible for service required to correct a faulty installation.



WOLF APPLIANCE, INC. P.O. BOX 44848 MADISON, WI 53744 WOLFAPPLIANCE.COM 800.222.7820

10/2018