

DOWNDRAFT VENTILATION  
**USE AND CARE GUIDE**

---

CLEANING, MAINTENANCE, AND MORE

---



## Contents

- 4 Safety Precautions
- 6 Downdraft Features
- 7 Downdraft Operation
- 9 Care Recommendations
- 10 Troubleshooting
- 11 Wolf Warranty

## Customer Care

The model and serial number are printed on the enclosed product registration card. Both numbers are also listed on the product rating plate. Refer to page 6 for rating plate location. For warranty purposes, you will also need the date of installation and name of your authorized Wolf dealer. Record this information below for future reference.

### SERVICE INFORMATION

Model Number	_____
Serial Number	_____
Date of Installation	_____
Certified Service Name	_____
Certified Service Number	_____
Authorized Dealer	_____
Dealer Number	_____

If your product ever needs attention, be sure to use a Wolf Factory Certified Service provider recommended by our customer care center, or select one from our list of providers available at [wolfappliance.com/locator](http://wolfappliance.com/locator). All Factory Certified Service providers are carefully selected and thoroughly trained by us.

## Important Note

To ensure this product is installed and operated as safely and efficiently as possible, take note of the following types of highlighted information throughout this guide:

**IMPORTANT NOTE** highlights information that is especially important.

**CAUTION** indicates a situation where minor injury or product damage may occur if instructions are not followed.

**WARNING** states a hazard that may cause serious injury or death if precautions are not followed.

**IMPORTANT NOTE:** Throughout this guide, dimensions in parentheses are millimeters unless otherwise specified.

## IMPORTANT INSTRUCTIONS

### READ AND SAVE THESE INSTRUCTIONS

- Read this use & care guide carefully before using your new downdraft ventilation to reduce the risk of fire, electric shock or injury to persons.
- Ensure proper installation and servicing. This appliance must be properly installed and grounded by a qualified technician.
- Warranty service must be performed by Wolf Factory Certified Service.
- Installation work and electrical wiring must be done by qualified person(s) in accordance with all applicable codes and standards, including fire-rated construction codes and standards.

#### **⚠ WARNING**

**TO REDUCE THE RISK OF FIRE, ELECTRIC SHOCK, OR INJURY TO PERSONS, OBSERVE THE FOLLOWING:**

- a) Use this unit only in the manner intended by the manufacturer. If you have questions, contact the manufacturer.
- b) Before servicing or cleaning unit, unplug the appliance or switch power off at service panel and lock the service disconnecting means to prevent power from being switched on accidentally. When the service disconnecting means cannot be locked, securely fasten a prominent warning device, such as a tag, to the service panel.

### GENERAL SAFETY PRECAUTIONS

- Sufficient air is needed for proper combustion and exhausting of gases through the flue (chimney) of fuel burning equipment to prevent back drafting.
- Follow the heating equipment manufacturer's guideline and safety standards such as those published by the National Fire Protection Association (NFPA), the American Society for Heating, Refrigeration and Air Conditioning Engineers (ASHRAE) and the local code authorities.
- Do not operate any fan with a damaged cord or plug. Discard fan or return to an authorized service facility for examination and/or repair.
- This appliance must be grounded.

#### **⚠ CAUTION**

For general ventilating use only. Do not use to exhaust hazardous or explosive materials and vapors.

- Ducted fans must always be vented to the outdoors.
- To reduce the risk of fire, use only steel ductwork.
- Do not install this downdraft with the activating switch directly behind a burner or element. The minimum distance between the switch and edge of the burner should be 4" (102).
- Do not wear loose-fitting or hanging clothing when operating this appliance. It may be ignited by burners or elements on the cooktop.
- Children should not be left alone or unattended in the area where this appliance is in use.

#### **⚠ CAUTION**

To reduce the risk of fire and properly exhaust air, be certain to duct air outside. Do not vent exhaust air into spaces within walls or ceilings or into attics, crawl spaces or garages.

## IMPORTANT INSTRUCTIONS

### GENERAL SAFETY PRECAUTIONS

- Do not repair or replace any part of this appliance unless specifically recommended in this guide. All other service should be performed by a qualified technician.
- To avoid motor bearing damage and noisy or unbalanced impellers, keep drywall spray, construction dust, etc. off power unit.
- When cutting or drilling into wall or ceiling, do not damage electrical wiring or other hidden utilities.
- Please read the specification label on the down-draft for further information and requirements.

#### **⚠ WARNING**

##### **TO REDUCE THE RISK OF A RANGE TOP GREASE FIRE:**

- Never leave surface units unattended at high settings. Boilovers cause smoking and greasy spillovers that may ignite. Heat oils slowly on low or medium settings.
- Always turn hood ON when cooking at high heat or when flambéing food (i.e. Crepes Suzette, Cherries Jubilee, Peppercorn Beef Flambé).
- Clean ventilating fans frequently. Grease should not be allowed to accumulate on fan or filter.
- Use proper pan size. Always use cookware appropriate for the size of the surface element.

#### **⚠ WARNING**

##### **TO REDUCE THE RISK OF INJURY TO PERSONS IN THE EVENT OF A RANGE TOP GREASE FIRE, OBSERVE THE FOLLOWING\*:**

- SMOTHER FLAMES** with a close-fitting lid, cookie sheet, or metal tray, then turn off the burner. **BE CAREFUL TO PREVENT BURNS.** If the flames do not go out immediately, **EVACUATE AND CALL THE FIRE DEPARTMENT.**
- NEVER PICK UP A FLAMING PAN**— You may be burned.
- DO NOT USE WATER**, including wet dishcloths or towels—a violent steam explosion will result.
- Use an extinguisher **ONLY** if:
  - You know you have a Class ABC extinguisher, and you already know how to operate it.
  - The fire is small and contained in the area where it started.
  - The fire department is being called.
  - You can fight the fire with your back to an exit.

\*Based on “Kitchen Fire Safety Tips” published by NFPA.

#### **⚠ WARNING**

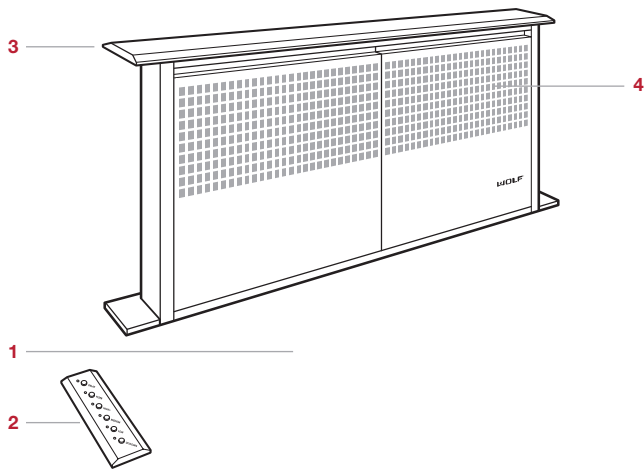
##### **PROPOSITION 65 FOR CALIFORNIA RESIDENTS**

Cancer and Reproductive Harm—  
[www.P65Warnings.ca.gov](http://www.P65Warnings.ca.gov)

## Downdraft Features

### FEATURES

- |   |                                         |
|---|-----------------------------------------|
| 1 | Product Rating Plate (below countertop) |
| 2 | Remote-Mounted Control Module           |
| 3 | Top Cover                               |
| 4 | Filter and Filter Cover                 |



Downdraft (model DD36)

## Getting Started

We know you are eager to start cooking, but before you do, please take some time to read this use & care guide. Whether you are an occasional cook or an expert chef, it will be to your benefit to familiarize yourself with the safety practices, features, operation and care recommendations of your Wolf downdraft ventilation system.

To ensure all residual oil from the manufacturing process has been removed, clean the downdraft thoroughly with hot water and a mild detergent prior to use. Rinse and dry with a soft cloth. Refer to care recommendations on page 9.

## DOWNDRAFT OPERATION

### Downdraft Operation

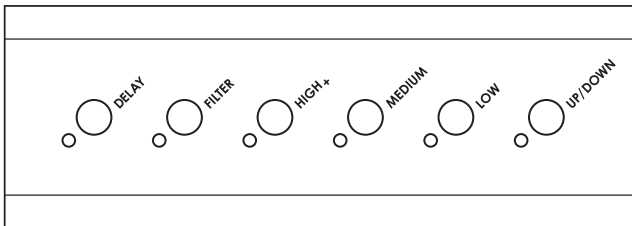
#### CONTROL MODULE

- 1 To activate the downdraft, press the UP/DOWN button. The downdraft chimney will elevate and the blower will turn on automatically to low speed. Refer to the illustration below.
- 2 To adjust the blower speed, press the HIGH+, MEDIUM or LOW button. The corresponding LED will illuminate to indicate blower setting.
- 3 To initiate boost mode, press and hold the HIGH+ button for 5 seconds. Boost increases airflow by approximately 20% more than high, but is limited to 10 minutes. After 10 minutes, the blower will automatically transition to high.
- 4 To deactivate the blower, press the button that corresponds with the illuminated LED indicator or press UP/DOWN.

#### DELAY FEATURE

The delay feature continues blower operation for approximately five minutes after use, then automatically turns off.

If the blower was operating on high or medium speed, the blower will transition to the next lowest setting for five minutes before turning off. The chimney will stay up until the UP/DOWN button is pressed.



Control module

#### FILTER INDICATOR

After approximately 30 hours of operation, the FILTER LED will illuminate to indicate filters need to be cleaned. Refer to care recommendations on page 9.

To reset the filter indicator, press the FILTER button. Refer to the illustration below.

## DOWNDRAFT OPERATION

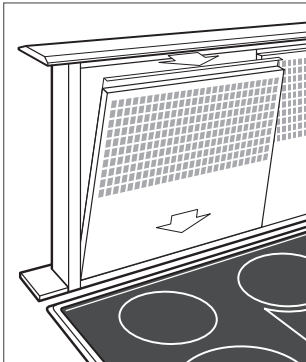
### Filter Removal

Press the UP/DOWN button. The downdraft chimney will elevate and the blower will turn on automatically to low speed. Press the LOW button to deactivate the blower.

To remove filters, push down on the filter while pulling the filter forward and away from the downdraft. Refer to the illustration below. Reinstall using the reverse procedure.

The filters are dishwasher safe. Refer to care recommendations on page 9.

**IMPORTANT NOTE:** Do not operate the downdraft without filters.



Filter removal



## Care Recommendations

### CLEANING

---

<b>Stainless steel</b>	Use a nonabrasive stainless steel cleaner and apply with a soft lint-free cloth. To bring out the natural luster, lightly wipe surface with a water-dampened microfiber cloth followed by a dry polishing chamois. Always follow the grain of stainless steel.
<b>Control module</b>	Use a spray degreaser to remove fingerprints and food soil. Spray on a cloth before wiping panel. <b>IMPORTANT NOTE:</b> Do not spray cleaners directly on the control module.
<b>Filters</b>	Place filters and filter covers into the dishwasher at approximately 140°F (60°C), or hand wash using a biodegradable detergent.

---

### Troubleshooting

#### OPERATION

**Downdraft ventilation system does not operate.**

- Verify power is on.
- Verify electrical power to unit and home circuit breaker is on.

#### SERVICE

- Maintain the quality built into your product by contacting Wolf Factory Certified Service. For the name of the nearest Wolf Factory Certified Service, check the contact & support section of our website, [wolfappliance.com](http://wolfappliance.com) or call Wolf customer care at 800-222-7820.
- When contacting service, you will need the model and serial number of your product. Both numbers are listed on the product rating plate. Refer to page 6 for rating plate location.
- For warranty purposes, you will also need the date of installation and name of your authorized Wolf dealer. This information should be recorded on page 3 of this guide.

## Wolf Appliance Residential Limited Warranty

FOR RESIDENTIAL USE

### FULL TWO YEAR WARRANTY\*

For two years from the date of original installation, this Wolf Appliance product warranty covers all parts and labor to repair or replace, under normal residential use, any part of the product that proves to be defective in materials or workmanship. All service provided by Wolf Appliance under the above warranty must be performed by Wolf factory certified service, unless otherwise specified by Wolf Appliance, Inc. Service will be provided during normal business hours.

### LIMITED FIVE YEAR WARRANTY

For five years from the date of original installation, Wolf Appliance will repair or replace the following parts that prove to be defective in materials or workmanship: gas burners (excludes appearance), electric heating elements, blower motors (ventilation hoods), electronic control boards, magnetron tubes and induction generators. If the owner uses Wolf factory certified service, the service provider will repair or replace these parts with the owner paying for all other costs, including labor. If the owner uses non-certified service, the owner must contact Wolf Appliance, Inc. (using the information below) to receive repaired or replacement parts. Wolf Appliance will not reimburse the owner for parts purchased from non-certified service or other sources.

### TERMS APPLICABLE TO EACH WARRANTY

The warranty applies only to products installed for normal residential use. The warranty applies only to products installed in any one of the fifty states of the United States, the District of Columbia or the ten provinces of Canada. This warranty does not cover any parts or labor to correct any defect caused by negligence, accident or improper use, maintenance, installation, service or repair.

THE REMEDIES DESCRIBED ABOVE FOR EACH WARRANTY ARE THE ONLY ONES THAT WOLF APPLIANCE, INC. WILL PROVIDE, EITHER UNDER THIS WARRANTY OR UNDER ANY WARRANTY ARISING BY OPERATION OF LAW. WOLF APPLIANCE, INC. WILL NOT BE RESPONSIBLE FOR ANY CONSEQUENTIAL OR INCIDENTAL DAMAGES ARISING FROM THE BREACH OF THIS WARRANTY OR ANY OTHER WARRANTY, WHETHER EXPRESS, IMPLIED OR STATUTORY.

Some states do not allow the exclusion or limitation of incidental or consequential damages, so the above limitation or exclusion may not apply to you. This warranty gives you specific legal rights and you may also have other legal rights that vary from state to state.

To receive parts and/or service and the name of Wolf factory certified service nearest you, contact Wolf Appliance, Inc., P.O. Box 44848, Madison, WI 53744; check the contact & support section of our website, [wolfappliance.com](http://wolfappliance.com), email us at [customerservice@subzero.com](mailto:customerservice@subzero.com) or call 800-222-7820.

\*Stainless steel (doors, panels, handles, product frames and interior surfaces) are covered by a limited 60-day parts and labor warranty for cosmetic defects.

\*Replacement filters for ventilation hood recirculating kits are not covered by the product warranty.



## Contenido

- 4 Precauciones de seguridad
- 6 Características del tiro descendente
- 7 Funcionamiento del tiro descendente
- 9 Recomendaciones sobre el cuidado
- 10 Resolución de problemas
- 11 Garantía de Wolf

### Atención al cliente

El modelo y número de serie están impresos en la tarjeta de registro del producto adjunta. Los dos números también aparecen en la placa de datos del producto. Consulte la página 6 para encontrar la placa de datos. Para fines de la garantía, usted también necesitará la fecha de instalación y el nombre de su distribuidor autorizado de Wolf. Anote esta información abajo para referencia futura.

#### INFORMACIÓN PARA SERVICIO

---

Número de modelo

---

Número de serie

---

Fecha de instalación

---

Nombre de servicio certificado

---

Número de servicio certificado

---

Distribuidor autorizado

---

Número de distribuidor

---

Si su producto alguna vez necesita servicio asegúrese de usar un proveedor de servicios certificado por Wolf y recomendado por nuestro centro de atención al cliente, o seleccione uno de nuestra lista de proveedores en [wolfappliance.com/locator](http://wolfappliance.com/locator). Todos los proveedores de los centros de servicio autorizados han sido cuidadosamente seleccionados y entrenados a fondo por nosotros.

### Aviso importante

Para garantizar que este producto se instale y opere de la forma más segura y eficiente posible, tome nota de los siguientes tipos de información resaltada en esta guía:

**AVISO IMPORTANTE** señala la información que es especialmente importante.

**PRECAUCIÓN** indica una situación en la que se pueden sufrir heridas leves o provocar daños al producto si no se siguen las instrucciones.

**ADVERTENCIA** indica peligro de que se produzcan heridas graves o incluso la muerte si no se siguen las precauciones.

**AVISO IMPORTANTE:** en toda esta guía, las dimensiones entre paréntesis son milímetros, a menos que se especifique lo contrario.

## INSTRUCCIONES IMPORTANTES

### LEA Y GUARDE ESTAS INSTRUCCIONES

- Lea este manual de uso y cuidado con atención antes de utilizar su ventilación de tiro descendente para reducir el riesgo de incendio, descarga eléctrica o lesiones a alguna persona.
- Asegúrese de que la instalación y el servicio sean los apropiados. Este electrodoméstico debe ser instalado y conectado a tierra por un técnico calificado.
- El servicio de garantía debe ser realizado por un centro de servicio autorizado de Wolf.
- Una persona calificada debe realizar el trabajo de instalación y cableado eléctrico de conformidad con todos los códigos y normas aplicables, incluyendo los códigos y normas para las construcciones a prueba de fuego.

#### ⚠ ADVERTENCIA

**PARA REDUCIR EL RIESGO DE INCENDIO, DESCARGA ELÉCTRICA O LESIONES A LAS PERSONAS, OBEDEZCA LAS PRECAUCIONES SIGUIENTES:**

- a) Utilice esta unidad solamente de la manera prevista por el fabricante. Si tiene alguna pregunta, póngase en contacto con el fabricante.
- b) Antes de reparar o limpiar la unidad, desconecte el aparato o apague el interruptor de encendido en el panel de servicio y bloquee los medios de desconexión del servicio para evitar que se encienda accidentalmente. Cuando no sea posible bloquear los medios de desconexión del servicio, sujete firmemente un dispositivo de advertencia prominente, como una etiqueta, en el panel de servicio.

### PRECAUCIONES GENERALES DE SEGURIDAD

- Se necesita suficiente aire para permitir una combustión y escape de gases adecuados por el humero (chimenea) del equipo quemador de combustible para evitar que se produzcan llamaradas.
- Siga las directrices del fabricante del equipo de calefacción y las normas de seguridad como las publicadas por la Asociación Nacional de Protección contra Incendios (NFPA, por sus siglas en inglés) y la Sociedad Estadounidense de Ingenieros en Calefacción, Refrigeración y Aire Acondicionado (ASHRAE, por sus siglas en inglés) y los códigos de las autoridades locales.
- Nunca opere un ventilador con un cable o enchufe dañado. Deseche el ventilador o devuélvalo a un centro de servicio autorizado para su revisión y/o reparación.
- Este electrodoméstico debe ser conectado a tierra.

#### ⚠ PRECAUCIÓN

Uso exclusivo para ventilación general. No lo utilice para extraer materiales o vapores peligrosos o explosivos.

- Los ventiladores con conductos siempre deben descargarse hacia el exterior.
- Para reducir el riesgo de incendio, utilice solamente conductos de acero.
- No instale este tiro descendente con el interruptor de activación directamente detrás de un quemador o un elemento calefactor. La distancia mínima entre el interruptor y el borde del quemador debe ser de 4" (102).
- No utilice ropa holgada ni con aplicaciones sueltas al utilizar este electrodoméstico. Esta puede incendiarse con los quemadores o elementos calefactores de la estufa.
- No deje a los niños menores solos ni desatendidos en el área donde se utiliza este electrodoméstico.

#### ⚠ PRECAUCIÓN

Para reducir el riesgo de incendio y extraer el aire de manera apropiada, asegúrese de dirigir el aire hacia el exterior. No ventile el aire del escape en espacios cerrados por paredes o techos, áticos, espacios angostos o garajes.

## INSTRUCCIONES IMPORTANTES

### PRECAUCIONES GENERALES DE SEGURIDAD

- No intente reparar ni cambiar parte alguna de este electrodoméstico a menos que esté específicamente recomendado en esta guía. Todas las demás reparaciones deben ser ejecutadas por un técnico calificado.
- Para evitar daños a los cojinetes del motor e impulsores ruidosos o desequilibrados, mantenga los rocíos de yeso, el polvo de construcción, etcétera lejos de la unidad de potencia.
- Al cortar o perforar la pared o el techo, no dañe el cableado eléctrico u otros servicios ocultos.
- Lea la etiqueta de especificaciones que se encuentra en el tiro descendente para obtener más información sobre los requisitos.

#### ⚠ ADVERTENCIA

##### PARA REDUCIR EL RIESGO DE INCENDIO POR IGNICIÓN DE LA GRASA EN LA ESTUFA:

- a) Nunca deje desatendidas las unidades superficiales en una programación de alta temperatura. El rebosamiento por ebullición genera humo y los derrames de grasa pueden incendiarse. Caliente los aceites lentamente a temperatura baja o media.
- b) Siempre ENCIENDA la campana al cocinar a altas temperaturas o al flamear alimentos (es decir, crepas suzette, cerezas jubileo, ternera flambeada con granos de pimienta).
- c) Limpie los ventiladores con frecuencia. No permita que la grasa se acumule en el ventilador o en el filtro.
- d) Utilice el tamaño de sartén adecuado. Utilice siempre utensilios de cocina apropiados para el tamaño del elemento superficial.

#### ⚠ ADVERTENCIA

##### PARA REDUCIR EL RIESGO DE LESIONES A LAS PERSONAS EN CASO DE INCENDIO POR IGNICIÓN DE GRASA EN UNA ESTUFA, OBEDEZCA LAS PRECAUCIONES SIGUIENTES :

- a) SOFOQUE LAS FLAMAS con una tapa ajustada, una lámina para hornear galletas o una bandeja metálica y a continuación apague el quemador. Tenga cuidado para evitar quemaduras. Si las flamas no se apagan inmediatamente, EVACÚE EL LUGAR Y LLAME AL DEPARTAMENTO DE BOMBEROS.
- b) NUNCA LEVANTE UN SARTÉN EN LLAMAS — usted puede quemarse.
- c) NO UTILICE AGUA y tampoco use paños de cocina ni toallas húmedas ya que esto causará una explosión violenta de vapor.
- d) SOLAMENTE utilice un extinguidor si:
  - 1) Tiene un extinguidor Clase ABC y usted sabe cómo operarlo.
  - 2) El incendio es pequeño y está contenido en el área donde se inició.
  - 3) Alguien está llamando al departamento de bomberos.
  - 4) Usted puede combatir el incendio de espaldas a una salida de emergencia.

Basado en “Consejos de seguridad contra incendios en la cocina” publicado por la NFPA.

#### ⚠ ADVERTENCIA

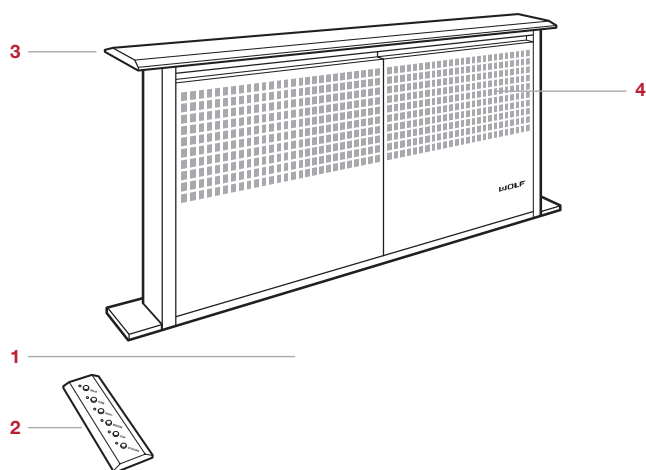
##### PROPUESTA 65 PARA RESIDENTES DE CALIFORNIA

Cáncer y Daño Reproductivo—  
[www.P65Warnings.ca.gov](http://www.P65Warnings.ca.gov)

### Características del tiro descendente

#### CARACTERÍSTICAS

- |   |                                                    |
|---|----------------------------------------------------|
| 1 | Placa de datos del producto (debajo del mostrador) |
| 2 | Módulo de control montado a distancia              |
| 3 | Cubierta superior                                  |
| 4 | Filtro y cubierta de filtro                        |



Tiro descendente (modelo DD36)

### Primeros pasos

Sabemos que está ansioso por empezar a cocinar, pero antes de hacerlo, dedique un poco de tiempo a leer este manual de uso y cuidado. Si usted es un cocinero ocasional o un chef experto, se beneficiará de familiarizarse con las prácticas de seguridad, características, funcionamiento y recomendaciones de cuidado de su sistema de ventilación de tiro descendente Wolf.

Para asegurarse de que todo el aceite residual del proceso de fabricación se haya eliminado, limpie a fondo el tiro descendente con agua caliente y un detergente suave antes de utilizarlo. Enjuague y seque con un paño suave. Consulte las recomendaciones sobre el cuidado en la página 9.



### Funcionamiento del tiro descendente

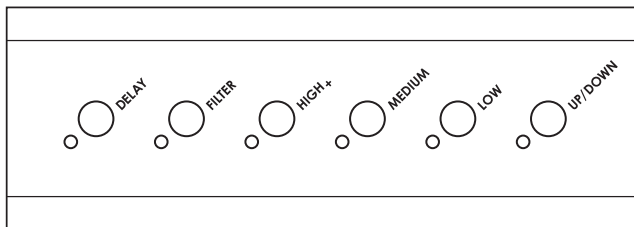
#### MÓDULO DE CONTROL

- 1 Para activar el tiro descendente, presione el botón UP/DOWN (ARRIBA/ABAJO). La chimenea del tiro descendente se elevará y el extractor se encenderá automáticamente a baja velocidad. Consulte la siguiente ilustración.
- 2 Para ajustar la velocidad del extractor, presione el botón HIGH+ (ALTA+), MEDIUM (MEDIA) o LOW (BAJA). El LED correspondiente se iluminará para indicar el ajuste del extractor.
- 3 Para iniciar el modo de refuerzo presione y mantenga presionado el botón HIGH+ durante 5 segundos. El modo de refuerzo aumenta el flujo de aire aproximadamente 20% más que la velocidad alta pero está limitado a 10 minutos. Después de 10 minutos, el extractor regresará automáticamente a alta velocidad.
- 4 Para desactivar el extractor, oprima el botón que corresponde al indicador LED encendido u oprima UP/DOWN (Arriba/Abajo).

#### CARACTERÍSTICA DE TIEMPO DE ESPERA

La característica de tiempo de espera continúa la operación del extractor durante aproximadamente cinco minutos después de usarlo y luego lo apaga automáticamente.

Si el extractor estaba funcionando a una velocidad alta o media, pasará a la siguiente velocidad más baja durante cinco minutos antes de apagarse. La chimenea permanecerá arriba hasta que se presione el botón UP/DOWN (ARRIBA/ABAJO).



Módulo de control

#### INDICADOR DEL FILTRO

Después de aproximadamente 30 horas de operación, el LED del FILTRO se encenderá para indicar que es necesario limpiar los filtros. Consulte las recomendaciones sobre el cuidado en la página 9.

Para reiniciar el indicador del filtro, presione el botón FILTER (FILTRO). Consulte la siguiente ilustración.

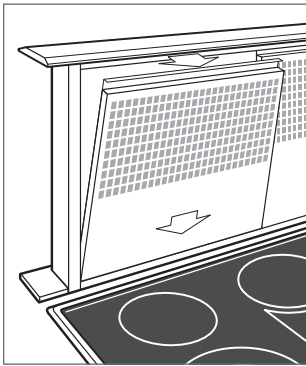
### Extracción del filtro

Oprima el botón UP/DOWN. La chimenea del tiro descendente se elevará y el extractor se encenderá automáticamente a baja velocidad. Oprima el botón LOW (Abajo) para desactivar el extractor.

Para sacar los filtros, presione el filtro hacia abajo mientras hala del filtro hacia el frente y hacia afuera del tiro descendente. Consulte la siguiente ilustración. Para reinstalar el filtro invierta el procedimiento.

Es seguro lavar los filtros en lavavajillas. Consulte las recomendaciones sobre el cuidado en la página 9.

**AVISO IMPORTANTE:** no ponga en funcionamiento el ventilador de tiro descendente sin los filtros.



Extracción del filtro

## Recomendaciones sobre el cuidado

### LIMPIEZA

---

<b>Acero inoxidable</b>	Use un limpiador no abrasivo para acero inoxidable y aplique con un paño suave sin pelusa. Para resaltar el lustre natural, limpie suavemente la superficie con una tela de microfibra humedecida con agua, seguida con una gamuza para pulir en seco. Siempre siga la dirección del acabado del acero inoxidable.
<b>Módulo de control</b>	Utilice desengrasante en aerosol para retirar las marcas de los dedos y los residuos de alimentos. Rocíe el producto en un paño antes de limpiar el panel. <b>AVISO IMPORTANTE:</b> No aplique los limpiadores directamente sobre el módulo de control.
<b>Filtros</b>	Coloque los filtros y las cubiertas de los filtros en la lavavajillas a una temperatura aproximada de 140 °F (60 °C), o lávelos a mano con un detergente biodegradable.

---

### Resolución de problemas

#### OPERACIÓN

El sistema de ventilación de tiro descendente no funciona.

- Compruebe si la unidad está encendida.
- Compruebe que la alimentación eléctrica a la unidad y el interruptor de circuito de la casa estén encendidos.

#### SERVICIO

- Para mantener la calidad incorporada en su producto, póngase en contacto con el servicio certificado de fábrica de Wolf. Para obtener los datos del centro de servicio autorizado de Wolf más cercano, eche un vistazo a la sección de contacto y servicio técnico en nuestro sitio web, [wolfappliance.com](http://wolfappliance.com) o llame a la línea de atención al cliente de Wolf al 800-222-7820.
- Al comunicarse con el servicio, necesitará el modelo y número de serie de su producto. Los dos números también aparecen en la placa de datos del producto. Consulte la página 6 para encontrar la placa de datos.
- Para fines de la garantía, usted también necesitará la fecha de instalación y el nombre de su distribuidor autorizado de Wolf. Esta información debe estar registrada en la página 3 de este manual.

## Garantía limitada residencial de Wolf Appliance

PARA USO RESIDENCIAL

### GARANTÍA COMPLETA DE DOS AÑOS\*

Durante dos años a partir de la fecha de la instalación original, la garantía de su producto Wolf Appliance cubre todas las partes y mano de obra para reparar o reemplazar, bajo el uso residencial normal, cualquier parte del producto que se compruebe estar defectuosa en material o mano de obra. Todos los servicios proporcionados por Wolf Appliance bajo la garantía anterior deben ser ejecutados por servicios certificados de fábrica de Wolf, a menos que Wolf Appliance, Inc. lo especifique de otra manera. El Servicio será proporcionado durante el horario comercial normal.

### GARANTÍA LIMITADA DE CINCO AÑOS

Por cinco años a partir de la fecha de la instalación original, Wolf Appliance reparará o reemplazará los siguientes componentes que se comprueben estar defectuosos en material o mano de obra: quemadores de gas (excluyendo la apariencia), elementos eléctricos de calentamiento, motores de sopladores (campanas de ventilación), módulos de control eléctrico, tubos magnetrón y generadores de inducción. Si el propietario utiliza el servicio certificado de fábrica de Wolf, el prestador del servicio reparará o reemplazará estas partes mediante el pago de todos los otros costos, incluyendo mano de obra, a cargo del propietario. Si el propietario utiliza un servicio no certificado, debe ponerse en contacto con Wolf Appliance, Inc. (utilizando la información anotada más adelante) para recibir los componentes reparados o de reemplazo. Wolf Appliance no reembolsará al propietario los importes correspondientes a componentes comprados a un servicio no certificado o a otras fuentes.

### TÉRMINOS APLICABLES A CADA GARANTÍA

La garantía se aplica solamente a los productos instalados para uso residencial normal. La garantía se aplica solamente a los productos instalados en cualquiera de los cincuenta estados de los Estados Unidos, el Distrito de Columbia o las diez provincias de Canadá. Esta garantía no cubre las partes o mano de obra para corregir cualquier defecto causado por negligencia, accidente o uso, mantenimiento, instalación, servicio o reparación inadecuados.

**LOS RECURSOS DESCRITOS ANTERIORMENTE PARA CADA GARANTÍA SON LOS ÚNICOS QUE WOLF APPLIANCE, INC. PROPORCIONARÁ, YA SEA BAJO ESTA GARANTÍA O BAJO CUALQUIER GARANTÍA QUE RESULTE DE LA APLICACIÓN DE LA LEY. WOLF APPLIANCE, INC. NO SE HACE RESPONSABLE POR LOS DAÑOS INDIRECTOS O INCIDENTALES DERIVADOS DE LA VIOLACIÓN DE ESTA GARANTÍA O CUALQUIER OTRA GARANTÍA, YA SEA EXPRESA, IMPLÍCITA O LEGAL.**

Algunos estados no permiten la exclusión o limitación de daños incidentales o consecuentes, por lo tanto la limitación o exclusión anterior podrían no aplicarse en su caso. Esta garantía le otorga derechos legales específicos, y usted también puede tener otros derechos legales que varían entre estados.

Para recibir las partes o el servicio y el nombre del servicio certificado de fábrica de Wolf más cercano a usted, póngase en contacto con Wolf Appliance, Inc., P.O. Box 44848, Madison, WI 53744; eche un vistazo a la sección de contacto y servicio técnico en nuestro sitio web, [wolfappliance.com](http://wolfappliance.com), envíenos un correo electrónico a [customerservice@subzero.com](mailto:customerservice@subzero.com) o llame al 800-222-7820.

\*Las puertas, paneles, manijas, estructuras de acero inoxidable y superficies internas están cubiertas por una garantía limitada de 60 días sobre piezas y mano de obra, por defectos cosméticos.

\*Los filtros de repuesto para los kits de circulación de la campana de ventilación no están cubiertos por la garantía del producto.



## Table des matières

- 4 Précautions de sécurité
- 6 Caractéristiques de l'aspiration descendante
- 7 Fonctionnement de l'aspiration descendante
- 9 Conseils d'entretien
- 10 Dépannage
- 11 Garantie de Wolf

### Service à la clientèle

Le numéro de modèle et le numéro de série sont imprimés sur la fiche d'enregistrement du produit ci-jointe. Les deux numéros sont aussi indiqués sur la plaque signalétique du produit. Reportez-vous à la page 6 pour connaître l'emplacement de la plaque signalétique. Pour les besoins de la garantie, vous devrez aussi avoir la date d'installation et le nom de votre dépositaire Wolf autorisé. Inscrivez ces renseignements ci-dessous pour consultation ultérieure.

#### RENSEIGNEMENTS SUR LE SERVICE

Numéro de modèle

Numéro de série

Date de l'installation

Nom du service certifié

Numéro du service certifié

Dépositaire autorisé

Numéro du dépositaire

Si votre produit a besoin d'être réparé, assurez-vous d'utiliser un fournisseur de service certifié par l'usine Wolf recommandé par notre centre de service à la clientèle, ou sélectionnez-en un parmi la liste de fournisseurs disponibles à [wolfappliance.com/locator](http://wolfappliance.com/locator). Tous les fournisseurs de service certifiés par l'usine sont soigneusement sélectionnés et rigoureusement formés par nous.

### Remarque importante

Pour s'assurer que ce produit est installé et utilisé en toute sécurité et aussi efficacement que possible, prenez note des types de renseignements mis en évidence tout au long de ce guide :

**REMARQUE IMPORTANTE** met en évidence des renseignements qui sont particulièrement importants.

**MISE EN GARDE** indique une situation où une blessure mineure ou des dommages au produit peuvent se produire si les directives ne sont pas respectées.

**AVERTISSEMENT** décrit un danger qui peut causer une blessure grave ou la mort si les précautions ne sont pas respectées.

**REMARQUE IMPORTANTE** : tout au long de ce guide, les dimensions entre parenthèses sont en millimètres à moins d'indication contraire.

## DIRECTIVES IMPORTANTES

### LISEZ ET CONSERVEZ CES DIRECTIVES

- Lisez ce guide d'utilisation et d'entretien attentivement avant d'utiliser votre nouvelle ventilation à aspiration descendante afin de réduire le risque d'incendie, de choc électrique ou de blessures.
- Assurez-vous que l'installation et le service sont appropriés. Cet appareil doit être correctement installé et mis à la terre par un technicien qualifié.
- Le service de garantie doit être effectué par un centre de service Wolf certifié par l'usine.
- Le travail d'installation et le câblage électrique doivent être effectués par une (des) personne(s) qualifiée(s) conformément à tous les codes et normes applicables, y compris ceux concernant la construction résistante au feu.

#### ▲ AVERTISSEMENT

**EN VUE DE RÉDUIRE LE RISQUE D'INCENDIE, DE CHOC ÉLECTRIQUE OU DE BLESSURES, RESPECTEZ LES ÉLÉMENTS SUIVANTS :**

- a) Utilisez cette unité uniquement de la façon prévue par le fabricant. Si vous avez des questions, communiquez avec le fabricant.
- b) Avant de réparer ou de nettoyer l'unité, débranchez-la ou coupez le courant sur le panneau de commande et verrouillez les moyens de débrancher le service pour empêcher le courant d'être remis en marche accidentellement. Lorsque les moyens de débrancher le service ne peuvent pas être verrouillés, fixez un dispositif d'avertissement bien en vue, comme une étiquette, au panneau de service.

### PRÉCAUTIONS DE SÉCURITÉ GÉNÉRALE

- Il faut suffisamment d'air pour la combustion appropriée et l'évacuation des gaz par la sortie (cheminée) de l'équipement de chauffage au mazout pour éviter le refoulement de l'air.
- Suivez les directives du fabricant de l'équipement de chauffage et les normes de sécurité comme celles publiées par la National Fire Protection Association (NFPA ou association nationale de protection contre les incendies), l'American Society for Heating, Refrigeration and Air Conditioning Engineers (ASHRAE ou société américaine des ingénieurs de chauffage, réfrigération et climatisation) et les autorités locales concernant les codes.
- Ne faites pas fonctionner un ventilateur dont le cordon ou la fiche sont endommagés. Éliminez le ventilateur ou retournez-le à un établissement de service autorisé pour le faire examiner et/ou réparer.
- Cet appareil doit être mis à la terre.

#### ▲ MISE EN GARDE

**Pour ventilation générale seulement. N'utilisez pas pour évacuer des matières et des vapeurs dangereuses ou explosives.**

- Les ventilateurs à enveloppe doivent toujours être ventilés vers l'extérieur.
- En vue de réduire le risque d'incendie, utilisez seulement des gaines en acier.
- N'installez pas cette aspiration descendante si le commutateur d'activation se trouve directement derrière un brûleur ou un élément. La distance minimale entre le commutateur et le rebord du brûleur doit être de 4 po (102).
- Ne portez pas des vêtements lâches ou qui pendent lorsque vous utilisez cet appareil. Ils peuvent être enflammés par les brûleurs ou les éléments de la surface de cuisson.
- Ne laissez pas des enfants seuls ou sans surveillance dans la zone où cet appareil est utilisé.

#### ▲ MISE EN GARDE

**En vue de réduire le risque d'incendie et correctement évacuer l'air, assurez-vous d'acheminer l'air vers l'extérieur. Ne ventilez pas l'évacuation dans des espaces entre des murs ou des plafonds ou dans des greniers, des galeries ou des garages.**



## DIRECTIVES IMPORTANTES

### PRÉCAUTIONS DE SÉCURITÉ GÉNÉRALE

- Ne réparez pas et ne remplacez pas cet appareil à moins que cela ne soit spécifiquement recommandé dans ce guide. Tout autre service doit être effectué par un technicien qualifié.
- Pour éviter d'endommager le roulement-moteur ou de déséquilibrer les rotors, gardez la pulvérisation de cloison sèche, la poussière de construction, etc. loin de l'unité électrique.
- Lorsque vous coupez ou percez dans un mur ou un plafond, n'endommagez pas les fils électriques ou d'autres services publics cachés.
- Veuillez lire l'étiquette de spécification sur l'aspiration descendante pour obtenir de plus amples renseignements et connaître les exigences.

#### ▲ AVERTISSEMENT

##### EN VUE DE RÉDUIRE LE RISQUE D'UN INCENDIE DE GRAISSE SUR LE DESSUS DE CUISINIÈRE :

- a) Ne laissez jamais les unités de surface sans surveillance lorsque les réglages sont élevés. Les débordements par bouillonnement causent de la fumée et des renversements graisseux qui peuvent s'enflammer. Chauffez les huiles lentement à feu doux ou moyen.
- b) Mettez toujours la hotte **EN MARCHÉ** lorsque vous cuisinez à feu vif ou lorsque vous flambez des aliments (comme des crêpes Suzette, des cerises jubilé, du bœuf au poivre flambé).
- c) Nettoyez les éventails de ventilation fréquemment. Ne laissez pas de la graisse s'accumuler sur le ventilateur ou le filtre.
- d) Utilisez une poêle de taille appropriée. Utilisez toujours un ustensile de cuisson approprié pour la taille de l'élément en surface.

#### ▲ AVERTISSEMENT

##### AFIN DE RÉDUIRE LE RISQUE DE BLESSURES EN CAS D'INCENDIE DE GRAISSE, RESPECTEZ LES DIRECTIVES SUIVANTES:

- a) **ÉTOUFFEZ LES FLAMMES** avec un couvercle bien ajusté, une tôle à biscuits ou un plateau métallique, puis éteignez le brûleur. **FAITES ATTENTION DE NE PAS VOUS BRÛLER.** Si les flammes ne s'éteignent pas immédiatement, **ÉVACUEZ ET APPELEZ LES POMPIERS.**
- b) **NE RAMASSEZ JAMAIS UNE POÊLE EN FEU**— vous risqueriez de vous brûler.
- c) **N'UTILISEZ PAS DE L'EAU**, y compris des linges à vaisselle et des serviettes mouillés— cela causerait une violente explosion de vapeur.
- d) Utilisez un extincteur **SEULEMENT** si :
  - 1) Vous savez que vous avez un extincteur de classe ABC et vous savez déjà comment l'utiliser.
  - 2) Le feu est petit et contenu dans la zone où il a commencé.
  - 3) Les pompiers ont été appelés.
  - 4) Vous pouvez lutter contre le feu en gardant votre dos vers une sortie.

Selon les « Conseils de sécurité-incendie pour la cuisine » publiés par la NFPA.

#### ▲ AVERTISSEMENT

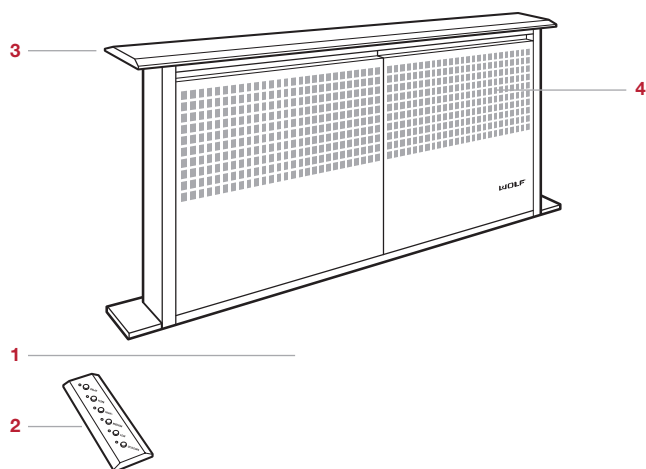
##### PROPOSITION 65 POUR RESIDENTS DE LA CALIFORNIE

Cancer et Troubles de l'appareil reproducteur—  
[www.P65Warnings.ca.gov](http://www.P65Warnings.ca.gov)

### Caractéristiques de l'aspiration descendante

#### CARACTÉRISTIQUES

- |   |                                                   |
|---|---------------------------------------------------|
| 1 | Plaque signalétique du produit (sous le comptoir) |
| 2 | Module de commande monté à distance               |
| 3 | Couvercle supérieur                               |
| 4 | Filtre et couvercle du filtre                     |



Aspiration descendante (modèle DD36)

### Comment commencer

Nous savons que vous êtes impatient de commencer à cuisiner, mais avant de le faire, veuillez prendre quelques instants pour lire ce guide d'utilisation et d'entretien. Que vous soyez un cuisinier occasionnel ou un chef expert, il vous sera bénéfique de vous familiariser avec les pratiques de sécurité, les fonctions, le fonctionnement et les recommandations d'entretien du système de ventilation à aspiration descendante.

Pour s'assurer que toute l'huile résiduelle du processus de fabrication a été enlevée, nettoyez l'aspiration descendante à fond avec de l'eau chaude et un détergent doux avant de l'utiliser. Rincez et séchez avec un chiffon doux. Reportez-vous aux recommandations de soin à la page 9.

## Fonctionnement de l'aspiration descendante

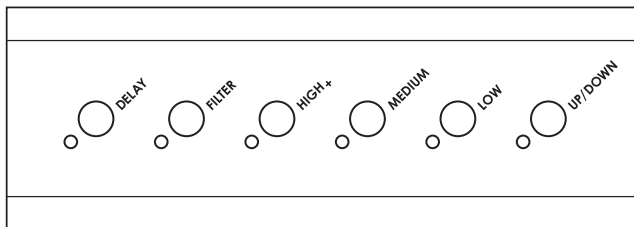
### MODULE DE COMMANDE

- 1 Pour activer l'aspiration descendante, appuyez sur le bouton UP/DOWN (haut/bas). La cheminée de l'aspiration descendante s'élèvera et la soufflerie se mettra automatiquement en marche à basse vitesse. Reportez-vous à l'illustration ci-dessous.
- 2 Pour régler la vitesse de la soufflerie, appuyez sur le bouton HIGH+ (élevé+), MEDIUM (moyen) ou LOW (faible). La DEL correspondante s'allumera pour indiquer le réglage de la soufflerie.
- 3 Pour initier le mode de suralimentation, appuyez et tenez le bouton HIGH+ pendant cinq secondes. La suralimentation augmente le débit d'air d'environ 20 % de plus que le réglage élevé, mais se limite à une durée de 10 minutes. Après 10 minutes, la soufflerie se remet automatiquement au réglage élevé.
- 4 Pour désactiver le ventilateur, enfoncez le bouton qui correspond à l'indicateur à DEL illuminé ou appuyez sur UP/DOWN (haut/bas).

### FONCTION DE DÉLAI

La fonction de délai continue le fonctionnement de la soufflerie pendant environ cinq minutes après l'usage, puis s'éteint automatiquement.

Si la soufflerie fonctionnait à la vitesse élevée ou moyenne, elle passera alors au réglage inférieur suivant pendant cinq minutes avant de s'arrêter. La cheminée demeurera relevée jusqu'à ce que le bouton UP/DOWN soit enfoncé.



Module de commande

### INDICATEUR DE FILTRE

Après environ 30 heures de fonctionnement, la DEL FILTER (filtre) s'allume pour indiquer que les filtres doivent être nettoyés. Reportez-vous aux recommandations de soin à la page 9.

Pour réinitialiser l'indicateur de filtre, appuyez sur le bouton FILTER. Reportez-vous à l'illustration ci-dessous.

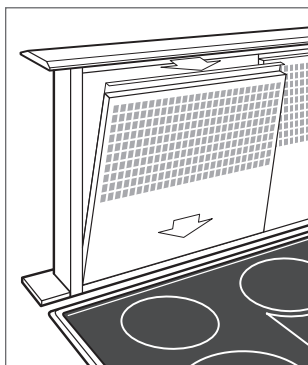
### Retrait du filtre

Appuyez sur le bouton UP/DOWN (haut/bas). La cheminée de l'aspiration descendante s'élèvera et la soufflerie se mettra automatiquement en marche à basse vitesse. Appuyez sur le bouton LOW (faible) pour désactiver le ventilateur.

Pour retirer les filtres, poussez le filtre vers le bas tout en tirant le filtre vers l'avant et hors de l'aspiration descendante. Reportez-vous à l'illustration ci-dessous. Réinstallez en utilisant la procédure inverse.

Les filtres peuvent être lavés dans le lave-vaisselle. Reportez-vous aux recommandations de soin à la page 9.

**REMARQUE IMPORTANTE :** ne faites pas fonctionner l'aspiration descendante sans filtre.



Retrait du filtre

## Conseils d'entretien

### NETTOYAGE

---

<b>Acier inoxydable</b>	Utilisez un nettoyant non abrasif pour l'acier inoxydable et appliquez-le avec un chiffon doux non pelucheux. Pour faire ressortir le lustre naturel, essuyez légèrement la surface avec un chiffon en microfibres humecté d'eau suivi d'un chamois à polir sec. Suivez toujours le grain de l'acier inoxydable.
<b>Module de commande</b>	Utilisez un dégraissant pulvérisé pour éliminer les empreintes de doigts et les taches de nourriture. Pulvérisez sur un chiffon avant d'essuyer le panneau. <b>REMARQUE IMPORTANTE :</b> ne pulvérisez pas des produits à nettoyer directement sur le module de commande.
<b>Filtres</b>	Placez les filtres et les couvercles de filtre dans le lave-vaisselle à environ 140 °F (60 °C) ou lavez-les à la main avec un détergent biodégradable.

---

### Dépannage

#### FONCTIONNEMENT

**Le système de ventilation à aspiration descendante ne fonctionne pas.**

- Assurez-vous qu'il y ait du courant.
- Vérifiez l'alimentation électrique vers l'unité et assurez-vous que le disjoncteur est en marche.

#### SERVICE

- Préservez la qualité intégrée dans votre produit en communiquant avec un service Wolf certifié par l'usine. Pour obtenir le nom du centre de service Wolf certifié par l'usine le plus près de chez vous, consultez la section Contact et assistance de notre site Web, [wolfappliance.com](http://wolfappliance.com) ou appelez le service à la clientèle de Wolf à 800-222-7820.
- Avant d'appeler pour obtenir du service, ayez en main les numéros de modèle et de série de votre produit. Les deux numéros sont indiqués sur la plaque signalétique du produit. Reportez-vous à la page 6 pour connaître l'emplacement de la plaque signalétique.
- Pour les besoins de la garantie, vous devrez aussi avoir la date d'installation et le nom de votre dépositaire Wolf autorisé. Ces renseignements doivent être notés à la page 3 de ce guide.

## Garantie limitée résidentielle Wolf Appliance

### POUR UTILISATION RÉSIDENIELLE

#### GARANTIE COMPLÈTE DE DEUX ANS\*

Pendant deux ans à compter de la date d'installation originale, cette garantie de produit Wolf Appliance couvre toutes les pièces et la main d'œuvre pour réparer ou remplacer, selon un usage résidentiel normal, toute partie du produit qui s'avérerait défectueuse en vertu des matériaux ou de la fabrication. Tout service fourni par Wolf Appliance en vertu de la garantie ci-dessus doit être effectué par un centre de service Wolf certifié par l'usine, à moins d'indication contraire de la part de Wolf Appliance, Inc. Le service sera fourni pendant les heures normales d'affaires.

#### GARANTIE LIMITÉE DE CINQ ANS

Pendant cinq ans à compter de la date originale d'installation, Wolf Appliance réparera ou remplacera les pièces suivantes qui s'avèreront défectueuses en vertu des matériaux ou de la fabrication : les brûleurs au gaz (sauf l'apparence), les éléments de chauffage électrique, les moteurs de soufflerie (hottes de ventilation), les circuits de contrôle électronique, les tubes magnétrons et les génératrices à induction. Si le propriétaire utilise le service Wolf certifié en usine, le fournisseur de service réparera ou remplacera ces pièces et le propriétaire paiera pour tous les autres frais, y compris la main d'œuvre. Si le propriétaire utilise un service non certifié, il doit communiquer avec Wolf Appliance, Inc. (avec les renseignements ci-dessous) pour obtenir des pièces réparées ou de rechange. Wolf Appliance ne remboursera pas le propriétaire pour les pièces achetées d'un service non certifié ou d'autres sources.

#### CONDITIONS S'APPLIQUANT À CHAQUE GARANTIE

La garantie s'applique uniquement aux produits installés pour un usage résidentiel normal. La garantie s'applique seulement aux produits installés dans l'un des cinquante états des États-Unis, dans le District of Columbia ou les dix provinces du Canada. Cette garantie ne couvre pas les pièces ou la main d'œuvre pour corriger tout défaut causé par de la négligence, un accident ou une utilisation, un entretien, une installation, un service ou une réparation inappropriés.

**LES REMÈDES DÉCRITS CI-DESSUS POUR CHAQUE GARANTIE SONT LES SEULS QUI SONT OFFERTS PAR WOLF APPLIANCE, INC. EN VERTU DE CETTE GARANTIE OU EN VERTU DE TOUTE GARANTIE DÉCOULANT DE L'OPÉRATION DE LA LOI. WOLF APPLIANCE, INC. NE SERA PAS RESPONSABLE DES DOMMAGES INDIRECTS OU CONSÉCUTIFS DÉCOULANT DE LA VIOLATION DE CETTE GARANTIE OU DE TOUTE GARANTIE, EXPRESSE, IMPLICITE OU LÉGALE.**

Certaines provinces ne permettent pas l'exclusion ou la restriction des dommages indirects ou consécutifs, par conséquent, la limite ou l'exclusion ci-dessus peut ne pas s'appliquer à votre cas. Cette garantie vous confère des droits légaux précis et vous pouvez aussi avoir d'autres droits légaux qui peuvent varier d'une province à l'autre.

Pour obtenir des pièces et/ou du service et le nom du centre de service Wolf certifié par l'usine le plus près de chez vous, communiquez avec Wolf Appliance, Inc., P.O. Box 44848, Madison, WI 53744 É.-U.; vérifiez la section Contact et assistance de notre site Web, [wolfappliance.com](http://wolfappliance.com), envoyez-nous un courriel à [customerservice@subzero.com](mailto:customerservice@subzero.com) ou composez le 800-222-7820.

\*L'acier inoxydable (les portes, les panneaux, les poignées, les cadres et les surfaces intérieures) est couvert par une garantie limitée de 60 jours sur les pièces et la main d'œuvre pour toute défectuosité cosmétique.

\*Les filtres de rechange pour les trousse de recirculation de hotte ne sont pas couverts par la garantie du produit.





WOLF APPLIANCE, INC. P.O. BOX 44848 MADISON, WI 53744 WOLFAPPLIANCE.COM 800.222.7820

823416 REV-D

2/2018

