



# E Series Oven

## *Use and Care Guide*

---

CLEANING, MAINTENANCE, AND MORE



## Contents

- 2 Customer Care
- 3 Important Note
- 5 Features
- 6 Getting Started
- 15 Oven Operation
- 20 Cooking Guide
- 25 Care Recommendations
- 26 Troubleshooting
- 28 Service
- 29 Wolf Residential Warranty

## Customer Care

The enclosed product registration card includes the model and serial number. The product rating plate also includes both numbers. Refer to the product diagram for the rating plate location.

Register online at [subzero-wolf.com/register](http://subzero-wolf.com/register) or use the Sub-Zero Group Owner's App. Download the free app from the Apple App Store or Google Play.

For warranty purposes, the date of installation and the name of the authorized Wolf dealer are required. Record this information below for future reference.

### SERVICE INFORMATION

---

Model Number

---

Serial Number

---

Date of Installation

---

Certified Service Name

---

Certified Service Number

---

Authorized Dealer

---

Dealer Number

---

If your product ever needs attention, use a Customer Care recommended Wolf Appliance Factory Certified Service provider, or select one from the list at <http://subzero-wolf.com/locator>.

# Safety Precautions

## Important Note

To make sure this product is installed and operated safely and efficiently, take note of the following types of highlighted information throughout this guide:

**IMPORTANT NOTE:** Highlights information that is especially important.

### CAUTION

**Indicates a situation where minor injury or product damage may occur if instructions are not followed.**

### WARNING

**States a hazard that may cause serious injury or death if precautions are not followed.**

**IMPORTANT NOTE:** Throughout this guide, dimensions in parentheses are millimeters unless otherwise specified.

## General Safety Precautions

- Read this guide carefully before using this appliance to reduce risk of fire, electric shock or injury.
- This appliance must be properly installed and serviced by a qualified installer or service agency and grounded by a qualified technician.
- Clean only those parts listed in this guide.
- Do not use oven cleaners. No commercial oven cleaner or oven liner protective coating of any kind should be used in or around any part of the oven.
- Do not touch heating elements or interior surfaces of oven. Heating elements may be hot even though they are dark in color. Interior surfaces become hot enough to cause burns. During and after use, do not touch, or let clothing or other flammable materials contact heating elements or interior surfaces of oven until they have had sufficient time to cool.
- Exercise caution when opening the oven door. Let hot air or steam escape before looking or reaching into the oven.
- Be sure that the oven cool air intake (located above the door) and oven exhaust vent (located below the door) are unobstructed at all times.
- Always use dry pot holders when removing pans from this appliance. Wet or damp pot holders can cause steam burns. Do not use a towel or bulky cloth in place of pot holders.
- Position oven racks in desired locations when oven is cool. If a rack must be repositioned after the oven is already hot, be sure pot holder does not contact a hot heating element in the oven.
- Do not repair or replace any part of this appliance unless specifically recommended in literature accompanying this appliance.
- Do not use aluminum foil to line any part of this appliance.
- Never use this appliance to warm or heat the room.
- Do not leave children alone or unattended in the area where this appliance is in use. Never allow children to sit or stand on the appliance.

# Safety Precautions

## General Safety Precautions

- Do not store items of interest to children above or at the back of this appliance, as they could climb on the appliance to reach items and be injured.
- Do not use water on grease fires. Smother the flame or use a dry chemical or foam-type extinguisher.
- Do not heat unopened food containers, such as baby food jars and cans. Pressure build-up may cause the container to burst and cause injury.
- Do not store or use gasoline or other flammable vapors and liquids in the vicinity of this or any other appliance.
- Do not clean oven gasket; rubbing or moving the gasket may compromise the door seal.
- Wear proper apparel. Loose-fitting or hanging garments should never be worn while using this appliance.

### CAUTION

**Before using self-clean, remove broiler pan, oven racks, oven rack guides, and any other utensils.**

### WARNING

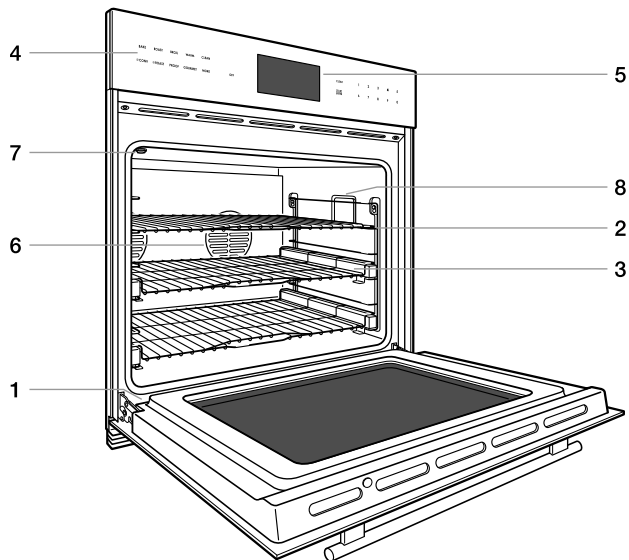
**PROPOSITION 65 FOR CALIFORNIA RESIDENTS  
Cancer and Reproductive Harm—  
[www.P65Warnings.ca.gov](http://www.P65Warnings.ca.gov)**

# Features

## E Series Features

### FEATURES

- |   |  |
|---|--|
| 1 | Product rating plate (lower oven for double ovens) |
| 2 | Adjustable oven rack                               |
| 3 | Full-extension oven racks                          |
| 4 | Control panel                                      |
| 5 | Touchscreen  |
| 6 | Convection fans                                    |
| 7 | Temperature probe receptacle                       |
| 8 | Halogen lighting                                   |



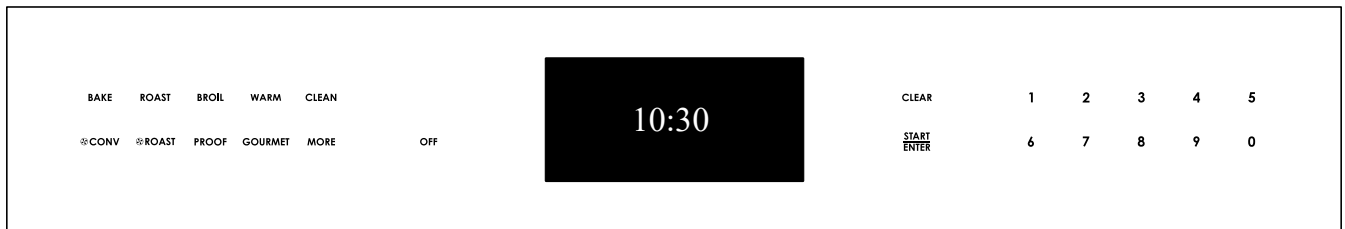
# Getting Started

## Controls

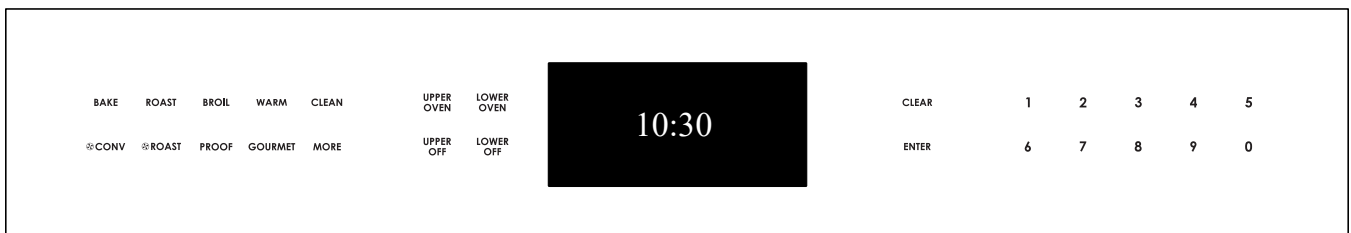
Wolf E Series Ovens use a combination of a control panel and touchscreen. The oven has ten cooking modes—Bake, Convection, Roast, Convection Roast, Broil, Proof, Warm, Gourmet, Stone, and Dehydrate. Convection, Gourmet, Stone, and Dehydrate are not available for the lower oven on double ovens. Stone and Dehydrate require accessories.



Touchscreen (double oven shown)



Control panel (single oven)



Control panel (double oven)


# Getting Started

## Control Operation

- 1 Touch the desired cooking mode or touch More to access additional modes. For double ovens, touch Upper On or Lower On to select the oven.
- 2 Touch Start/Enter to select the preset temperature or use the number pads to change the temperature. Touch Clear at any time to go back.
- 3 Touch Start/Enter.

## Prior to Use

To ensure that all residual oil from the manufacturing process has been removed, each oven must go through the following procedure:

- 1 Clean the oven thoroughly with hot water and a mild detergent. Rinse and dry with a soft cloth.
- 2 Turn on ventilation. Some smoke and odor is normal.
- 3 Touch  Roast (Roast for the lower oven), and adjust the temperature to 500°F (260°C) for one hour.
- 4 Touch OFF and allow the oven to cool with the door closed.

## Preheat

During preheat, the oven is heated as quickly and evenly as possible and is not ideal for cooking. Preheat should be used for all cooking modes except Broil, Proof, Warm, Dehydrate, and some modes in Gourmet. Once preheat is complete, a chime indicates the oven has reached set temperature.

## Connect This Appliance

Connect today to:

- Receive alerts, status updates and routine maintenance notifications.
- Streamline everyday tasks with the help of remote controls and voice commands.
- Quickly access user manuals and cleaning and maintenance tips.

Connect this appliance to remotely monitor and control it. Connecting requires a wireless router, an Internet connection with a network name and password, and a compatible mobile device. There is no limit to the number of appliances you can connect to an account. Connecting appliances is optional.

- 1 Download the free Sub-Zero Group Owner's App from the Apple App Store or Google Play.
- 2 With Bluetooth enabled on the device, stand within a few feet of the appliance, open the app, and follow the on-screen instructions.
- 3 Log in or create an account.
- 4 Tap Add An Appliance or tap + in the upper right of the screen to add appliances. To identify which appliance to pair, open the appliance door.
- 5 Tap + next to the appliance to select it. If identical appliances appear, an additional step identifies which appliance to pair.
- 6 Tap Pair Via Bluetooth. Wait for setup to complete, then tap Set Up Your Appliance For Pairing.
- 7 Tap Choose a Network on the Connect Your Appliance to Wi-Fi screen.
- 8 Select the home Wi-Fi network and enter the network password.
- 9 Tap Turn on Notification to allow notifications about the appliance (for example, door left ajar).
- 10 Tap Done on the Success screen to complete the setup.

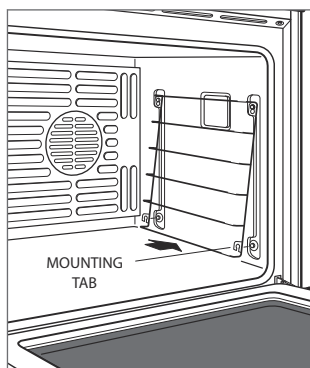


# Getting Started

## Oven Rack Guides

To insert the rack guides in the oven:

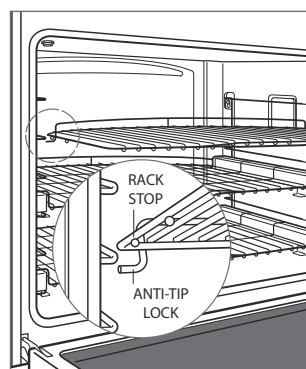
- 1 Locate the mounting screws on the oven side walls.
- 2 Place the rack guide mounting tabs over the top screws.
- 3 Pivot the rack inward, and slide it down until it is fully seated.



## Standard Racks

To insert a standard rack in the oven:

- 1 Place the rack anti-tip lock under the side rack guide rails.
- 2 Slide the rack back, and lift it up to clear the rack stops.
- 3 Continue to slide the rack back until it is completely inside the oven.

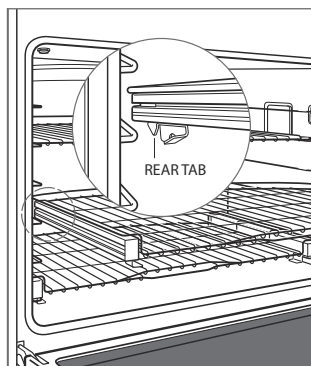


# Getting Started

## Full-Extension Racks

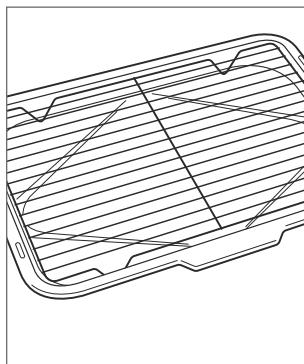
To insert a full-extension rack in the oven:

- 1 Place the rack anti-tip lock under the side rack guide rails.
- 2 Slide the rack back and lift up to clear the rack stops.
- 3 Continue to slide the rack back until completely inside the oven.



## Broiler Pan

For broiling, use the two-piece broiler pan and rack included with the range.



# Getting Started

## Temperature Probe

Use only the temperature probe shipped with this appliance. The temperature probe measures the internal temperature of food while cooking. The probe can be used to monitor the temperature without setting a desired temperature and can be used with all cooking modes except Broil, Proof, and Dehydrate.

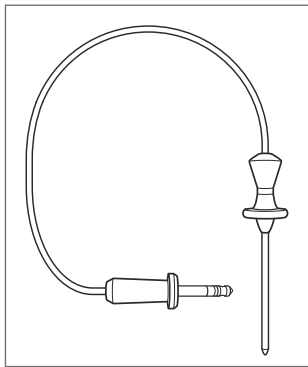
### ⚠ CAUTION

**The probe and probe receptacle will be very hot. Handle with care.**

### ⚠ CAUTION

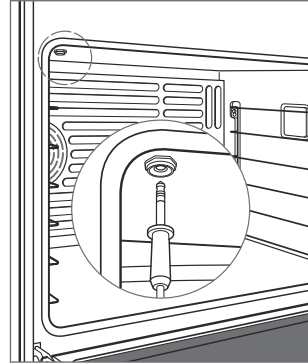
**Pull straight down when removing the probe from the receptacle. Bending or pulling the probe at an angle during removal may damage the probe and oven. Do not place a rack or accessory in rack position six when using the probe, as it interferes with probe removal.**

- 1 Preheat the oven to the desired oven temperature in the desired mode.
- 2 Completely insert the probe into the thickest area of the food.



- 3 When preheat is complete, place food in the oven.

- 4 Insert the connector into the probe receptacle, then close the door.



- 5 Touch Probe on the touchscreen.
- 6 Touch Start/Enter on the control panel to select the preset temperature. To change the temperature, use the control panel to select the desired temperature, then touch Start/Enter.
- 7 A chime indicates the temperature is 5°F (1°C) below the set temperature. The oven chimes and the set temperature flashes when the internal temperature reaches the setpoint.
- 8 Remove, then reinsert the probe to verify the internal temperature.
- 9 Touch the flashing temperature to clear.

# Getting Started

## Gourmet

Gourmet provides a variety of quick and convenient meal preparations. Gourmet also provides recommendations for ideal rack positions and tips to ensure cooking confidence.

Choose from six categories—Meat, Fish, Baked Goods, Pizza, Vegetables, and One Dish Meals. Each category can be refined to ensure the most effective cooking mode and rack position to create a cooking masterpiece.

- 1 Touch Gourmet.
- 2 Use the touchscreen to select the desired settings.

# Getting Started

## Gourmet Guide

Type	Food	Option
MEAT	Beef*	steak, tenderloin, roast, prime rib, meatloaf, slow cook
	Poultry*	whole bird, fresh pieces, whole breast
	Pork*	ribs, tenderloin, roast, steak, chop, whole ham
	Lamb*	leg, roast, rib rack
FISH	Steak*	
	Fillet*	
	Breaded	
BAKED GOODS	Cookies	
	Cake	sheet, fluted, angel, pound, cupcakes
	Pie	single crust, double crust
	Bread	quick bread, yeast loaf, yeast rolls, biscuits
PIZZA	Fresh	
	Par-Baked	
	Calzone	
VEGETABLES	Roasted	
	Sweet Potato*	
	Baked Potato*	
ONE DISH MEALS	Casserole*	
	Lasagna*	
	Quiche	

*\*Does not require preheat.*

## Getting Started

### Cooking Modes

MODE	PRESET	RANGE	PROBE	USES
BAKE	350°F (175°C)	200–550°F (95–290°C)	*	Best for single-rack cooking, primarily baked foods. Use for standard recipes.
CONVECTION	325°F (165°C)	200–550°F (95–290°C)	*	Uniform air movement makes it possible to multi-level rack cook with even browning.
ROAST	350°F (175°C)	200–550°F (95–290°C)	*	Best for roasting less tender cuts of meat, such as chuck roasts and stew meat that should be covered.
CONVECTION ROAST	325°F (165°C)	200–550°F (95–290°C)	*	Gently browns exterior and seals in juices. Perfect for roasting tender cuts of beef, lamb, pork, and poultry.
BROIL	High	550°F (290°C)		Best for broiling meats, fish, and poultry pieces up to 1" thick. Use a two-piece broiler pan and always broil with the oven door closed. Does not require preheat.
	Med	450°F (230°C)		
	Low	350°F (175°C)		
PROOF	85°F (30°C)	85–110°F (30–45°C)		Ideal for proofing or rising bread dough.
WARM	180°F (80°C)	140–200°F (60–95°C)	*	Designed to keep foods at serving temperature.
GOURMET			*	Gourmet provides quick and convenient meal preparations with recommendations for cooking mode and rack position. Preset temperature and range are dependent on food and desired doneness.
STONE	450°F (230°C)	200–550°F (95–290°C)	*	Baking on a ceramic stone. Great for pizza and bread. Stone accessory required.
DEHYDRATE	135°F (60°C)	110–170°F (45–75°C)		Dry a variety of fruits, vegetables, herbs, and meat strips. Accessory racks required.

NOTE: The temperature probe can be used with all cooking modes except Broil, Proof, and Dehydrate.

## Oven Operation

### Control Lock

The lock feature prevents unwanted control pane and touchscreen operation. The lock feature must be reset after a power outage.

- 1 Touch and hold Lock for three seconds to lock.
- 2 Touch and hold Lock for three seconds to unlock.

### Oven Light

The oven light turns on automatically when the door is open and off when closed. To turn the light on while the door is closed, touch Light on the touchscreen. For a double oven, touch Light on the right of the touchscreen for the lower oven.

# Oven Operation

## Clock

The clock is visible on the touchscreen during all cooking modes. It is very important the clock is set to the correct time if a timed cook feature is used. The clock must be reset after a power outage.

The clock sets automatically if the unit is connected to Wi-Fi. Refer to Connect This Appliance for more information.

Setting the clock:

- 1 Touch Settings, then select Time.
- 2 Touch 12-Hour or 24-Hour mode and use the control panel to set the time.
- 3 Select AM or PM, then touch Start/Enter. A chime indicates the clock is set.

Time can also be adjusted by touching the time on the touchscreen.

## Timer

Each timer can be set for a maximum of 99 hours and 59 minutes. Once a time is set, the countdown is illuminated on the touchscreen. The timer is independent from the oven. Setting the timer does not affect cook time or stop time.

Setting timer:

- 1 Touch Timer 1 or Timer 2.
- 2 Use the control panel to set the duration, then touch Start/Enter. A chime indicates the timer is set.
- 3 To cancel or edit, touch the countdown time on the touchscreen.
- 4 The timer chimes with one minute remaining. The timer chimes and flashes when complete.
- 5 Touch the flashing time to clear.



# Oven Operation

## Extended Options

Touch Settings to access extended options. Use the slide bar to scroll to the desired option and touch the option to select. If more information is needed, touch Info.

### OPTION

<b>Time</b>	Select 12 hour or 24 hour.
<b>Sabbath</b>	Turn Sabbath on or off.
<b>Clock</b>	Select digital, analog, blank, or logo.
<b>Connect</b>	Turn connect on or off.*
<b>Standby</b>	Turn standby power on or off.
<b>Language</b>	Select: English, Spanish, French, Italian, German, Dutch, or Chinese.
<b>Units</b>	°F/Imperial or °C/Metric.
<b>Showroom</b>	For showroom use only.
<b>Info</b>	Access helpful tips and product information.
<b>About</b>	For service only.
<b>Temp Offset</b>	For service only.
<b>Calibration</b>	Adjust display calibration.
<b>Sound</b>	Mute, 1-5 and high, medium, low.
<b>Brightness</b>	Adjust display brightness: 0-100%.

*\*To connect to the Sub-Zero Group Owner's App, connect must be turned on.*

## Timed Cook

Timed Cook automatically turns the oven off at a specified time. The oven begins to heat immediately and turns off at the desired stop time. If preheat is required, the preheat time must be accounted for when determining the cooking duration. The clock must be set to the correct time to function properly. Use in any cooking mode except Broil, Gourmet, or Stone. The temperature probe cannot be used during Timed Cook.

- 1 Touch the desired cooking mode and select the desired temperature.
- 2 Touch Timed Cook, then select the desired cooking duration.
- 3 Touch Start/Enter to start.
- 4 To cancel, touch the flashing duration/stop time on the touchscreen.
- 5 The oven turns off automatically when the cook time is complete.
- 6 Touch Off to clear.

# Oven Operation

## Delayed Start

Delayed Start automatically turns the oven on and off at specified times. The oven stays idle until the desired start time and turns off at the desired stop time. If preheat is required, the preheat time must be accounted for when determining the cooking duration. The clock must be set to the correct time to function properly. Use in any cooking mode except Broil, Gourmet, or Stone. The temperature probe cannot be used during Delayed Start.

- 1 Touch the desired cooking mode and select the desired temperature.
- 2 Touch Timed Cook, then select the desired cooking duration.
- 3 Use the control panel to select the desired stop time, then touch Start/Enter.
- 4 To cancel, touch the flashing duration/stop time on the touchscreen.
- 5 The oven turns off automatically when the cook time is complete.
- 6 Touch Off to clear.

## Clean

### CAUTION

**During Clean, exterior surfaces may get hotter than usual. Children should be kept away.**

During Clean, the oven is heated to an extremely high temperature to burn off food soil. The oven lights are disabled. Clean lasts approximately four hours.

Porcelain is made from natural products and, therefore, can chip or develop fine lines and cracks due to the expansion and contraction that occurs as oven temperature fluctuates (particularly when the self-cleaning function is employed). This can result in cosmetic imperfections, such as a cloudy, dull, or scratched appearance. Cosmetic imperfections may be more visible in a colored oven cavity.

**IMPORTANT NOTE:** For double ovens, the other oven cannot be used during Clean.

- 1 Turn on ventilation. Some smoke and odor is normal.
- 2 Touch Clean.
- 3 Touch Start/Enter, then open the oven door.
- 4 Remove the oven racks and rack guides, then touch Ok.
- 5 The oven door locks and stays locked until cleaning is complete and the oven temperature is below 550°F (290°C).
- 6 Touch Off to clear.

### DELAYED CLEAN

- 1 Turn on ventilation. Some smoke and odor is normal.
- 2 Touch Clean.
- 3 Touch Delayed Clean and use the control panel to select the desired start time, then touch Start/Enter.
- 4 Remove the oven racks and rack guides, then touch Ok.
- 5 The oven door locks and stays locked until cleaning is complete and the oven temperature is below 550°F (290°C).
- 6 Touch Off to clear.

# Oven Operation

## Sabbath

This appliance is certified by Star-K to meet strict religious regulations in conjunction with specific instructions found at [www.star-k.org](http://www.star-k.org).

Roast, bake, proof, and warm modes can be used in Sabbath.

Setting controls:

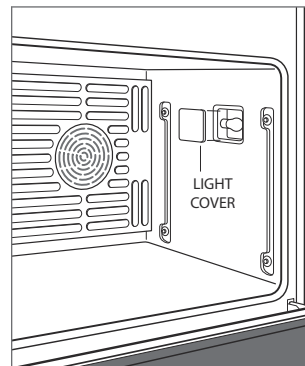
- 1 Turn the oven light on or off.
- 2 Touch Settings, then select Sabbath.
- 3 Touch On, then touch Start/Enter.
- 4 Select the cooking mode and temperature, then touch Start/Enter.
- 5 After ten seconds, the unit enters Sabbath.
- 6 To change the oven temperature while in Sabbath, use the control panel to select the desired temperature, then touch Start/Enter. The temperature changes randomly after the new temperature is selected.
- 7 Touch Off to end the mode. The Sabbath icon goes away after ten seconds.

## Oven Light Bulb

### ⚠ WARNING

**Verify that power is disconnected from the electrical box before replacing a light bulb.**

Allow the oven to cool completely, then remove the oven racks and rack guides. To remove the light cover, gently pry the bottom edge with a flat screwdriver. Remove the existing bulb and replace with a 40-watt halogen bulb. Do not touch the new bulb with bare hands. Wear rubber gloves or use a paper towel to hold the bulb during installation.



To replace the light bulb located at the top of the oven cavity, contact Wolf Factory Certified Service. For the name of the nearest Wolf Factory Certified Service provider, check the "Product Support" section of our website, [wolfappliance.com](http://wolfappliance.com), or call Wolf Customer Care at 800 - 222-7820.

# Cooking Guide

## Wolf Cooking Guide

Food		Rack(s)	Mode	Oven Temp.	Time	Position	Notes
Breads	Biscuits	1	Roast	400°F (205°C)	5-10 min	3	
		2	Convection	425°F (220°C)	5-10 min	2,5	
		3	Convection	425°F (220°C)	5-10 min	1,3,5	
	Cinnamon rolls	1	Bake	350°F (175°C)	20-25 min	3	
		2	Convection	325°F (165°C)	20-25 min	2,5	
		3	Convection	325°F (165°C)	20-25 min	1,3,5	
	Muffins	1	Bake	400°F (205°C)	15-20 min	3	
		2	Convection	375°F (190°C)	10-15 min	2,5	
		3	Convection	375°F (190°C)	10-15 min	1,3,5	
	Yeast rolls	1	Convection	375°F (190°C)	10-20 min	3	
		2	Convection	375°F (190°C)	10-20 min	2,5	
		3	Convection	375°F (190°C)	10-20 min	1,3,5	
	Yeast bread (loaf pan)	1	Bake	350°F (175°C)	20-45 min	3	
	Yeast bread (no pan)	1	Stone	450°F (230°C)	15-45 min	1	
	Quick breads	1	Bake	350°F (175°C)	40-50 min	3	
Garlic bread	1	Broil	Med.		5		
Toast	1	Broil	High		5		
Cakes	Angel food cake	1	Bake	350°F (175°C)	35-45 min	1	
	Bundt or pound cake	1	Bake	350°F (175°C)	40-50 min	3	
	Mixes or from scratch	1	Bake	350°F (175°C)	20-30 min	3	
		2	Convection	325°F (165°C)	20-30 min	2,5	
		3	Convection	325°F (165°C)	20-30 min	1,3,5	
	Cupcakes	1	Bake	350°F (175°C)	20-25 min	3	
		2	Convection	325°F (165°C)	15-25 min	2,5	
		3	Convection	325°F (165°C)	15-25 min	1,3,5	
	Cookies	Cookies or bars	1	Bake	350°F (175°C)	10-25 min	3
2			Convection	325°F (165°C)	10-25 min	2,5	
3			Convection	325°F (165°C)	10-25 min	1,3,5	
Pies	2-crust, filled, or streusel-topped	1	Bake	350°F (175°C)	40-45 min	3	
	Lemon meringue	1	Broil	325°F (165°C)	10-15 min	3	

## Wolf Cooking Guide

Food	Rack(s)	Mode	Oven Temp.	Time	Position	Notes
Pumpkin or custard	1	Bake	325°F (165°C)	<see note>	3	Bake for 15 min at 425°F, reduce temp to 325°F, and bake until pie is set, 45–60 min.
Pie crust (empty)	1	Bake	425°F (220°C)	10-15 min	3	
Puff pastry	1	Bake	400°F (205°C)	10-15 min	3	
	2	Convection	375°F (190°C)	10-15 min	2,5	
	3	Convection	375°F (190°C)	10-15 min	1,3,5	
Cream puffs	1	Convection	400°F (205°C)	20-30 min	3	

NOTE: Consuming raw or undercooked meats, poultry, seafood, shellfish or eggs may increase your risk of foodborne illness.

Food	Rack(s)	Mode	Oven Temp.	Time	Probe Temp.	Notes
Beef	5	Broil	High	10–15 min		Turn over at 7 min.
	5	Broil	High	10–15 min		Turn over at 6 min.
	5	Broil	High	10–20 min		Turn over at 8 min.
Chuck roast	3	Conv Roast	325°F (165°C)	20–25 min/lb.	Med 150°F (65°C)	Place in dish, liquid 1/2 the height of the meat.
	3	Roast	350°F (175°C)	20–25 min/lb.	Med 150°F (65°C)	
Roast	2	Roast	425°F (220°C) / 325°F (165°C)	see note	Rare 135°F (60°C)	Roast for 30 min at 425°F, reduce temp to 325°F and cook to desired internal temp.
Slow roast	2	Bake	300°F (150°C)			Place in covered dish, liquid 1/4 the height of the meat.
Prime rib	2	Roast	450°F (230°C) / 225°F (105°C)	see note	Rare 130°F (55°C)	No preheat required. Roast for 30 min at 450°F, reduce temp to 225°F and cook to desired internal temp.
Tenderloin	3	Conv Roast	450°F (230°C)	10–20 min/lb.	Rare 130°F (55°C)	
Poultry	5	Conv Roast	325°F (165°C)	20–25 min	Thigh 180°F (80°C)	

# Cooking Guide

## Wolf Cooking Guide

Food	Rack(s)	Mode	Oven Temp.	Time	Probe Temp.	Notes
Chicken, whole	2	Conv Roast	325°F (165°C)	10–20 min/lb.	Thigh 180°F (80°C)	
Turkey, whole (brined)	1	Bake	350°F (175°C)	10–15 min/lb.	Thigh 180°F (80°C)	
Turkey, whole	1	Conv Roast	325°F (165°C)	10–15 min/lb.	Thigh 180°F (80°C)	
	1	Roast	325°F (165°C)	10–15 min/lb.	Thigh 180°F (80°C)	
Duck	2	Conv Roast	325°F (165°C)	15–20 min/lb.	Thigh 180°F (80°C)	
Goose	2	Conv Roast	325°F (165°C)	15–20 min/lb.	Thigh 180°F (80°C)	
Cornish hen	3	Conv Roast	325°F (165°C)	1 hour	Thigh 180°F (80°C)	
	3	Roast	350°F (175°C)	1 hour	Thigh 180°F (80°C)	
Chicken quarters, thighs	5	Broil	Med	20–25 min		Turn over halfway through broiling.
	3	Roast	350°F (175°C)	30–40 min	Thigh 180°F (80°C)	
	3	Conv Roast	325°F (165°C)	30–40 min	Thigh 180°F (80°C)	
	3	Bake	350°F (175°C)	30–40 min	Thigh 180°F (80°C)	
Turkey pieces	3	Conv Roast	325°F (165°C)	30–40 min	Thigh 180°F (80°C)	
	3	Roast	350°F (175°C)	30–40 min	Thigh 180°F (80°C)	
Chicken boneless breast	5	Broil	Med	10–15 min		Turn over halfway through broiling.
(flattened to 1/2" thick)	3	Conv Roast	350°F (175°C)	15–20 min	Breast 165°F (75°C)	
Turkey breast, whole	2	Conv Roast	325°F (165°C)	15–20 min	Breast 165°F (75°C)	
	2	Roast	350°F (175°C)	15–20 min	Breast 165°F (75°C)	
Pork	5	Broil	High	5–10 min		Turn over halfway through broiling.
Chops, steaks (1/2" thick)	3	Conv Roast	350°F (175°C)	10–15 min		

# Cooking Guide

## Wolf Cooking Guide

Food	Rack(s)	Mode	Oven Temp.	Time	Probe Temp.	Notes
	Slow roast	2	Bake	300°F (150°C)		Place in covered dish, liquid 1/4 the height of the meat.
	Ribs	3	Bake	300°F (150°C)		Place in foil packets or covered dish, liquid 1/4 the height of the meat.
	Tenderloin	3	Conv Roast	400°F (205°C)	15–20 min/lb.	Rare 130°F (55°C)
	Ham steak (1/2" thick)	5	Broil	High	5–10 min	Turn over halfway through broiling.
	Ham steak (1" thick)	5	Broil	High	10–15 min	Turn over halfway through broiling.
	Ham, whole	2	Bake	335°F (170°C)	10–15 min/lb.	160°F (70°C) Cover and rest 15 min.
Lamb	Chops, steaks (3/4" thick)	5	Broil	High	5–10 min	Turn over halfway through broiling.
	Leg	2	Conv Roast	425°F (220°C) / 325°F (165°C)	see note	145°F (65°C) Roast for 30 min at 425°F, reduce temp to 325°F and cook to desired internal temp.
	Veal roast	2	Conv Roast	300°F (150°C)	30–35 min/lb.	140°F (60°C)
	Crown rack	2	Conv Roast	325°F (165°C)	15–20 min/lb.	145°F (65°C)
Pizza	Calzones	1	Stone	375°F (190°C)	10–15 min	
	Homemade	1	Stone	450°F (230°C)	5–15 min	
	French bread pizza	5	Broil	Med	10–15 min	
Fish	Fillet (under 1" thick)	5	Broil	Med	10–20 min	
	Fillet (over 1" thick)	5	Conv Roast	375°F (190°C)	15–25 min	
Vegetables	Potatoes, sweet potatoes	3	Bake	350°F (175°C)	45–60 min	
	Mixed vegetables	4	Conv Roast	400°F (205°C)	10–20 min	
Other	Meatloaf	2	Roast	425°F (220°C) / 325°F (165°C)	see note	165°F (75°C) Roast for 20 min at 425°F, reduce temp to 325°F and cook to desired internal temp.

## Cooking Guide

### Wolf Cooking Guide

Food	Rack(s)	Mode	Oven Temp.	Time	Probe Temp.	Notes
Sausage, bratwurst (fresh)	5	Broil	Med	10–15 min		Turn over halfway through broiling.
Nachos	3	Broil	Low	15–20 min		
Quiche	3	Bake	350°F (175°C)	40–50 min		
One dish meals	3	Bake	350°F (175°C)	45–60 min	175°F (80°C)	

NOTE: Consuming raw or undercooked meats, poultry, seafood, shellfish or eggs may increase your risk of foodborne illness.



# Care Recommendations

## Care Recommendations

Use this information for simple cleaning recommendations.

### STAINLESS STEEL

- 1 Use a non-abrasive stainless steel cleaner and apply with a soft lint-free cloth.
- 2 Lightly wipe the surface with a water-dampened microfiber cloth followed by a dry polishing chamois.
- 3 Always follow the grain of the stainless steel.

### OVEN RACKS AND RACK GUIDES

- 1 Remove and place on a flat surface near the sink.
- 2 Clean with hot water and mild detergent or paste of baking soda and water.
- 3 Do not immerse in water.
- 4 Towel dry.

### CONTROL PANEL AND TOUCHSCREEN

- 1 Touch and hold Lock for three seconds to lock the control panel and touchscreen.

NOTE: Do not spray cleaners directly on the control panel or touchscreen.

- 2 Use a spray degreaser to remove fingerprints and food soil. Spray on a cloth before wiping the controls.

### OVEN INTERIOR

**IMPORTANT NOTE:** Remove all food spills (especially sugary, acidic, and tomato-based sauces) when the oven interior is safe to touch. Some blemishes are permanent, but do not affect the function of the porcelain.

- 1 Before using the Clean feature, use a razor blade to gently lift baked on foods from the oven cavity and window.
- 2 For stubborn stains, spray with a mild abrasive cleaner or spray degreaser and scrub with a no-scratch Scotch-Brite™ pad (pink or blue).

- 3 Wash the entire oven cavity with soap and water to remove cleaning chemicals before entering Clean mode. If residue is not cleaned from the cavity, etching of the porcelain may occur.
- 4 Once the Clean cycle is complete, allow the oven to cool completely and wipe out ash with a damp cloth.

### BROILER PAN

**IMPORTANT NOTE:** Do not place the pan in the dishwasher.

- 1 Discard grease and wash with hot water and mild detergent.
- 2 Rinse and dry.

### BROILER PAN RACK

**IMPORTANT NOTE:** The rack is dishwasher safe.

- 1 To hand wash, use a mild detergent and scouring pad.
- 2 Rinse and dry.

# Troubleshooting

## Troubleshooting

Before contacting Factory Certified Service visit [subzero-wolf.com/assistance](http://subzero-wolf.com/assistance) or use these helpful tips to prevent the need for a service visit.

### OVEN DOES NOT OPERATE

- 1 Verify power is on. The oven automatically turns off after 12 hours of continual use, except in Dehydration or Sabbath.
- 2 Verify electrical power to the oven and home circuit breaker is on.
- 3 Turn off the unit at the circuit breaker or electrical supply source for 30 seconds, then turn on the power to the unit.
- 4 Enter a command using the control panel to see if it responds. For lower oven operation, first press LOWER OVEN.

### NO RESPONSE FROM THE CONTROL PANEL AND TOUCHSCREEN

- 1 Cleanliness, temperature, and area of your finger used can make a difference in how the control responds.
  - Make sure your hands are clean when using controls
  - Warm cold hands before pressing the control panel.
  - Use the pad or tip of your finger, not a fingernail to press the control keys or buttons.
- 2 Unit is in Sabbath (★ appears on the touchscreen).
- 3 Verify the unit is not locked. Touch and hold LOCK for three seconds to unlock.
- 4 Turn the home circuit breaker to the unit off for 30 seconds then back on again. Retest the unit operation.

### OVEN TEMPERATURE ISSUE

- 1 Allow the oven to fully preheat.
  - Preheating the oven for every mode other than broil is key to optimal cooking performance.
  - Varied results are expected if preheat temperatures are not reached before adding food to the oven.
- 2 If available, use the temperature probe to get more consistent cooking results.
- 3 If any of the following happen, a service call is necessary to expertly diagnose and repair the product:
  - Oven is not getting hot enough even though oven is set to the right temperature.
  - Preheat is showing completed but oven is still not hot.
  - Foods are not cooked or take a significantly long time to cook versus the recipe time or past experience.
  - Food is unevenly cooked after following manufacturer and recipe instructions.
  - Turning the heat up does not show any improvement to cook time or oven performance.
- 4 Contact Wolf Customer Care at 800-222-7820.

### "PROBE SHORTED" APPEARS ON THE TOUCHSCREEN

Touch Off. Verify the probe connector is fully seated into the receptacle. Reset the oven temperature and probe temperature.

### ERROR MESSAGE APPEARS DURING CLEAN CYCLE

For double ovens, if one oven is in an active clean cycle, the other oven cannot be used.

# Troubleshooting

## Troubleshooting

### OVEN "POPS" OR "BANGS" DURING PREHEAT OR COOL DOWN

A popping noise is normal with new oven cavity expansion and contraction.

- 1 Run self-clean to help reduce noise.
- 2 Ovens may take several uses for the expansion noise to dissipate. If it persists, contact Wolf Customer Care at 800-222-7820.

## Service

## Service

- Maintain the quality built into your product by contacting Wolf Appliance Factory Certified Service. For the name of the nearest Wolf Appliance Factory Certified Service, check the contact & support section of our website, [coveappliance.com](http://coveappliance.com) or call Wolf Appliance customer care at 800-222-7820.
- When contacting service, have the model and serial number of the product. Both numbers are listed on the product rating plate. See rating plate location on the first page of this guide.
- For warranty purposes, you will also need the date of installation and name of your authorized Cove dealer. Record this information on the first page of this guide.

# Wolf Residential Warranty

## FOR RESIDENTIAL USE

### FULL TWO YEAR WARRANTY\*

For two years from the date of original installation, Wolf Appliance product warranty covers all parts and labor to repair or replace, under normal residential use, any part of the product that proves to be defective in materials or workmanship. All service provided by Wolf Appliance under the above warranty must be performed by Wolf Factory Certified Service, unless otherwise specified by Wolf Appliance, Inc. Service will be provided during normal business hours.

### LIMITED FIVE YEAR WARRANTY

For five years from the date of original installation, Wolf Appliance will repair or replace the following parts that prove to be defective in materials or workmanship: gas burners (excludes appearance), electric heating elements, blower motors (ventilation hoods), electronic control boards, magnetron tubes and induction generators. If the owner uses Wolf Factory Certified Service, the service provider will repair or replace these parts with the owner paying for all other costs, including labor. If the owner uses non-certified service, the owner must contact Wolf Appliance, Inc. (using the information below) to receive repaired or replacement parts. Wolf Appliance will not reimburse the owner for parts purchased from non-certified service or other sources.

### TERMS APPLICABLE TO EACH WARRANTY

The warranty applies only to products installed for normal residential use. The warranty applies only to products installed in any one of the fifty states of the United States, the District of Columbia or the ten provinces of Canada. This warranty does not cover any parts or labor to correct any defect caused by negligence, accident or improper use, maintenance, installation, service or repair.

THE REMEDIES DESCRIBED ABOVE FOR EACH WARRANTY ARE THE ONLY ONES THAT WOLF APPLIANCE, INC. WILL PROVIDE, EITHER UNDER THIS WARRANTY OR UNDER ANY WARRANTY ARISING BY OPERATION OF LAW. WOLF APPLIANCE, INC. WILL NOT BE RESPONSIBLE FOR ANY CONSEQUENTIAL OR INCIDENTAL DAMAGES ARISING FROM THE BREACH OF THIS WARRANTY OR ANY OTHER WARRANTY, WHETHER EXPRESS, IMPLIED OR STATUTORY.

Some states do not allow the exclusion or limitation of incidental or consequential damages, so the above limitation or exclusion may not apply to you. This warranty gives you specific legal rights and you may also have other legal rights that vary from state to state.

To receive parts and/or service and the name of Wolf Factory Certified Service nearest you, contact Wolf Appliance, Inc., P.O. Box 44848, Madison, WI 53744; check the Product Support section of our website, [wolfappliance.com](http://wolfappliance.com), email us at [customerservice@subzero.com](mailto:customerservice@subzero.com) or call 800-222-7820.

\*Stainless steel (doors, panels, handles, product frames and interior surfaces) are covered by a limited 60-day parts and labor warranty for cosmetic defects.

\*Replacement filters for ventilation hood recirculating kits are not covered by the product warranty.

## Contenido

- 30 Atención al cliente
- 31 Aviso importante
- 33 Características
- 34 Primeros pasos
- 43 Funcionamiento del horno
- 49 Guía de cocina
- 54 Recomendaciones para el cuidado
- 55 Solución de problemas
- 57 Servicio
- 58 Garantía residencial de Wolf

## Atención al cliente

El modelo y número de serie están impresos en la tarjeta de registro del producto adjunta. Ambos números también aparecen en la placa de datos del producto (consulte las [Características de la serie E](#) para obtener la ubicación de la placa de datos). Para fines de la garantía, también necesitará la fecha de instalación y el nombre de su distribuidor autorizado de Wolf. Guarde la siguiente información para consultas posteriores.

Si su producto alguna vez necesita servicio, asegúrese de acudir a un proveedor de servicio certificado de fábrica de Wolf recomendado por nuestro centro de atención al cliente o seleccione uno de nuestra lista de proveedores en [wolfappliance.com/locator](http://wolfappliance.com/locator). Nosotros seleccionamos y capacitamos cuidadosamente a todos los proveedores de servicios certificados.

### INFORMACIÓN DE SERVICIO

---

Número de modelo

---

Número de serie

---

Fecha de la instalación

---

Nombre de servicio certificado

---

Número de servicio certificado

---

Distribuidor autorizado

---

Número de distribuidor

---

### Aviso importante

Para asegurarse de que este producto se instale y opere de forma segura y eficiente, tome nota de los siguientes tipos de información resaltada en este manual:

**NOTA IMPORTANTE::** Señala la información que es especialmente importante.

#### **⚠ PRECAUCIÓN**

**Indica una situación en la que se pueden sufrir lesiones leves o provocar daños al producto, si no se siguen las instrucciones.**

#### **⚠ ADVERTENCIA**

**Indica peligro de que se produzcan heridas graves o incluso la muerte si no se siguen las precauciones.**

**NOTA IMPORTANTE::** En toda esta guía, las dimensiones entre paréntesis son milímetros, a menos que se especifique lo contrario.

### Precauciones generales de seguridad

- Lea este manual con atención antes de usar este electrodoméstico para reducir el riesgo de incendio, descarga eléctrica o lesiones.
- Un técnico calificado o una agencia de servicio deben instalar y reparar este electrodoméstico y un técnico calificado debe conectarlo a tierra.
- Limpie solamente las partes indicadas en este manual.
- No utilice limpiadores para hornos. No debe utilizar limpiadores comerciales para hornos ni capas protectoras de ninguna clase en o alrededor de cualquier parte del horno.
- No toque los elementos calefactores ni las superficies internas del horno. Los elementos calefactores pueden permanecer calientes incluso cuando tienen un color oscuro. Las superficies internas alcanzan altas temperaturas y pueden causar quemaduras. Durante y después del uso, no toque ni deje que su ropa u otros materiales ignífugos entren en contacto con los elementos calefactores o superficies internas del horno hasta que hayan tenido suficiente tiempo para enfriarse.
- Tenga cuidado al abrir la puerta del horno. Deje salir el aire caliente o el vapor antes de mirar o meter las manos dentro del horno.
- Asegúrese de que la entrada de aire fresco del horno (que se encuentra arriba de la puerta) y la rejilla de ventilación del horno (que se encuentra debajo de la puerta) estén libres de obstáculos en todo momento.
- Utilice siempre guantes de cocina secos al retirar las cacerolas de este electrodoméstico. Los guantes de cocina húmedos o mojados pueden provocar quemaduras por vapor. No utilice una toalla ni un paño grueso en lugar de los guantes de cocina.
- Coloque las rejillas del horno a la altura deseada cuando el horno esté frío. Si debe cambiar una rejilla de posición cuando el horno esté caliente, asegúrese de que el guante de cocina no entre en contacto con un elemento calefactor que esté caliente en el interior del horno.
- No intente reparar ni cambiar parte alguna de este electrodoméstico, a menos que esté específicamente

## Precauciones de seguridad

### Precauciones generales de seguridad

recomendado en la documentación que acompaña a este electrodoméstico.

- No utilice papel de aluminio para forrar ninguna parte de este electrodoméstico.
- Nunca utilice este electrodoméstico para entibiar o calentar la habitación.
- No deje a los niños solos o sin supervisión en el área donde se usa este electrodoméstico. Nunca permita que los niños se sienten o se pongan de pie encima del electrodoméstico.
- No almacene artículos que puedan llamar la atención de niños arriba o detrás de este electrodoméstico, ya que estos podrían subirse al electrodoméstico para alcanzar los objetos y sufrir lesiones.
- No use agua en incendios causados por grasas. Sofoque el fuego o utilice un extinguidor químico seco o de espuma.
- No caliente recipientes de comida sin abrir, como frascos de alimentos para bebés o enlatados. La acumulación de presión puede hacer que el recipiente explote y cause lesiones.
- No almacene ni utilice gasolina u otros vapores o líquidos ignífugos en las proximidades de este o cualquier otro electrodoméstico.
- No limpie la junta del horno, ya que frotar o mover la junta puede comprometer el sello de la puerta.
- Utilice ropa adecuada. Nunca debe utilizar ropa holgada ni con aplicaciones sueltas al utilizar este electrodoméstico.

#### PRECAUCIÓN

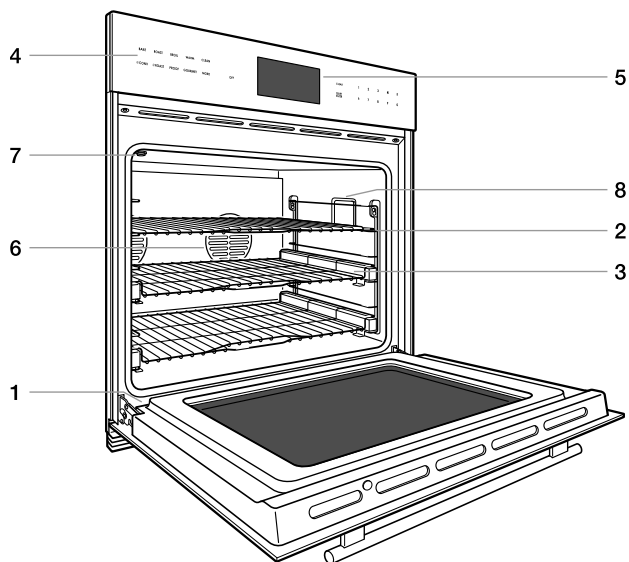
**Antes de utilizar la autolimpieza, retire la parrilla para asar, las rejillas del horno, las guías de la rejilla y cualquier otro utensilio.**



## Características de la serie E

### CARACTERÍSTICAS

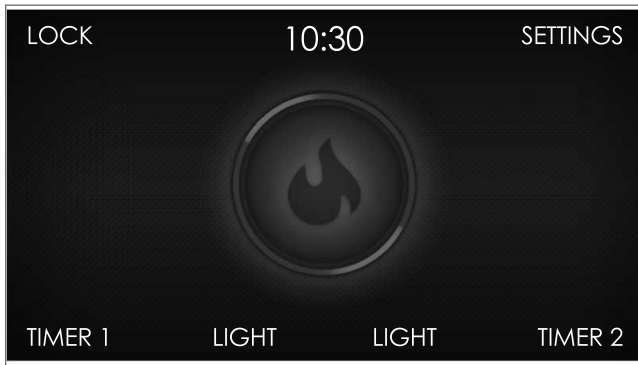
1	Placa de datos del producto (horno inferior para hornos doble)
2	Rejilla ajustable del horno
3	Rejillas de extensión completa del horno
4	Panel de control
5	Pantalla táctil
6	Ventiladores de convección
7	Recipiente de la sonda de temperatura
8	Luz de halógeno



# Primeros pasos

## Panel de control

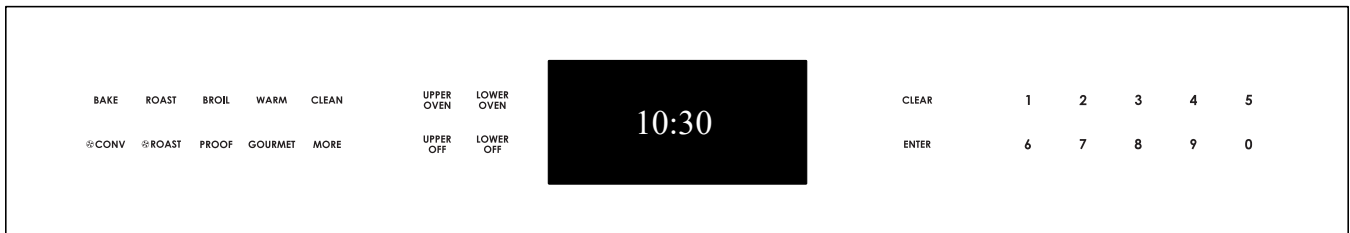
Los hornos de la serie E de Wolf usan una combinación de panel de control y pantalla táctil. El horno tiene diez modos de cocción: Hornear, Convección, Rostizar, Rostizar por convección, Asado, Fermentación, Calentamiento, Gourmet, Piedra cerámica y Deshidratar. Convección, Gourmet, Piedra cerámica y Deshidratar no están disponibles en el horno inferior para los hornos doble. Para cocer en piedra cerámica y para deshidratar se requieren accesorios.



Pantalla táctil (se muestra la del horno doble)



Panel de control (horno sencillo)




Panel de control (horno doble)

### Funcionamiento del panel de control

- 1 Pulse el modo de cocción deseado o pulse More (Más) para tener acceso a otros modos. Para los hornos dobles, presione Upper On (Encender superior) Lower On (Encender inferior) para seleccionar el horno.
- 2 Pulse Start/Enter (Iniciar) para seleccionar la temperatura predeterminada o utilice las teclas de número para cambiar la temperatura. Pulse Clear (Borrar) en cualquier momento.
- 3 Pulse Start/Enter (Iniciar).

### Antes de utilizarse

Para asegurarse de que todo el aceite residual del proceso de fabricación se haya eliminado, cada horno tiene que pasar por el siguiente procedimiento:

- 1 Limpie cuidadosamente el horno con agua caliente y detergente suave. Enjuague y seque con un paño suave.
- 2 Encienda la ventilación. Es normal que haya un poco de humo y olor.
- 3 Pulse  Roast (Rostizado) y ajuste la temperatura a 500°F (260°C) durante una hora.
- 4 Pulse Off (Apagar) y deje que el horno se enfríe con la puerta cerrada.

### Precalentamiento

Durante el precalentamiento, el horno se calienta lo más rápido y uniforme posible y no es ideal para cocinar. El precalentamiento debe ser utilizado para todos los modos de cocción excepto el de Asado, Fermentación, Calentamiento, Deshidratar y algunos modos Gourmet. Una vez que se haya completado el precalentamiento, un sonido de campana indicará que el horno ha alcanzado la temperatura establecida.

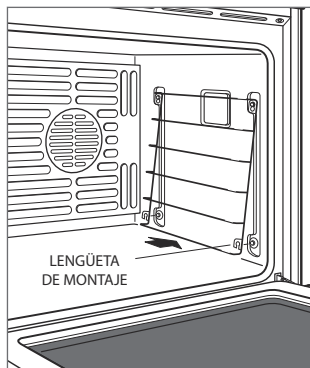
### Cómo conectar este electrodoméstico

Conecte este electrodoméstico para monitorearlo y controlarlo remotamente. Para conectarlo se requiere un enrutador inalámbrico, una conexión a Internet con un nombre de la red y una contraseña, y un dispositivo móvil compatible. No hay límite para el número de electrodomésticos que usted puede conectar a una cuenta. Conectar los electrodomésticos es opcional.

- 1 Descargue la aplicación gratuita de Sub-Zero Group Owner's App de Apple App Store o Google Play.
- 2 Active la función de Bluetooth en el dispositivo, ubíquese a poca distancia del electrodoméstico, abra la aplicación y siga las instrucciones de la pantalla.
- 3 Inicie sesión o cree una cuenta.
- 4 Pulse Add An Appliance (Agregar un electrodoméstico) o pulse + en la parte superior derecha de la pantalla para agregar electrodomésticos. Para identificar cuál electrodoméstico emparejar, abra la puerta del electrodoméstico,
- 5 Pulse + al lado del electrodoméstico para seleccionarlo. Si aparecen electrodomésticos idénticos, un paso adicional identificará cuál electrodoméstico emparejar.
- 6 Pulse para emparejar por medio de Bluetooth. Espere hasta que se complete la configuración, y luego pulse Set Up Your Appliance For Pairing (Configurar su electrodoméstico para emparejamiento).
- 7 Pulse Choose a Network (Elegir una red) en la pantalla Connect Your Appliance to Wi-Fi (Conectar su electrodoméstico a Wi-Fi).
- 8 Seleccione la red de Wi-Fi de la casa e introduzca la contraseña de la red.
- 9 Pulse Turn on Notifications (Activar notificaciones) para permitir las notificaciones sobre el electrodoméstico (por ejemplo, door left ajar (puerta parcialmente abierta)).
- 10 Pulse Done (Listo) en la pantalla Success (Éxito) para completar la configuración.

### Guías de la rejilla del horno

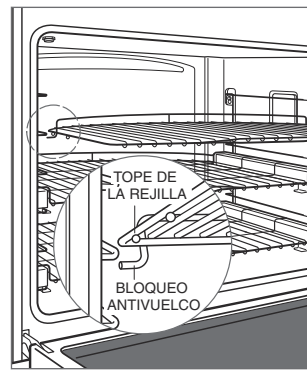
- 1 Ubique los tornillos de montaje en las paredes laterales del horno.
- 2 Coloque las lengüetas de montaje de la guía de la rejilla y deslícela hasta que esté completamente asentada.
- 3 Presione hacia adentro y deslice hasta que quede bien asentada.



### Rejillas estándar

Para insertar una rejilla estándar en el horno:

- 1 Coloque el bloqueo antivuelco de la rejilla debajo de los rieles laterales de la guía de la rejilla.
- 2 Deslice la rejilla hasta atrás, y levántela para limpiar los topes de la rejilla.
- 3 Continúe deslizando la rejilla hasta que esté completamente dentro del horno.

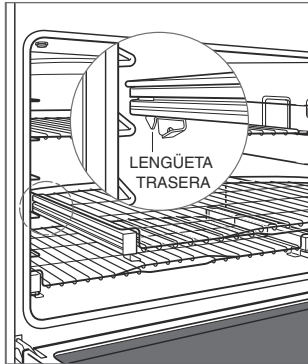


## Primeros pasos

### Rejillas de máxima extensión

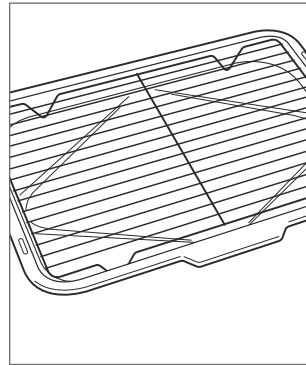
Para insertar una rejilla de extensión completa en el horno:

- 1 Coloque el bloqueo antivuelco de la rejilla debajo de los rieles laterales de la guía de la rejilla.
- 2 Deslice la rejilla hasta atrás y levántela para limpiar los toques de la rejilla.
- 3 Continúe deslizando la rejilla hasta que esté completamente dentro del horno.



### Parrilla para asar

Para asar, use la parrilla para asar de dos piezas y la rejilla que viene con la estufa.



### Sonda de temperatura

Utilice solamente la sonda de temperatura que viene con este electrodoméstico. La sonda de temperatura mide la temperatura interna de los alimentos durante la cocción. La sonda puede utilizarse para monitorear la temperatura sin tener que establecer una temperatura deseada y puede usarse en todos los modos de cocción excepto asar, fermentación y deshidratar.

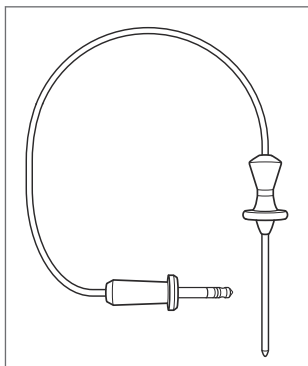
#### ⚠ PRECAUCIÓN

**La sonda y el receptáculo estarán muy calientes. Manipule con cuidado.**

#### ⚠ PRECAUCIÓN

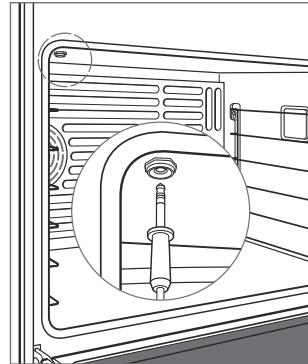
**Jálolo hacia abajo cuando retire la sonda del receptáculo. El jalar o doblar la sonda a un ángulo durante la extracción podría dañar la sonda y el horno. No coloque una rejilla o accesorio en la posición de la rejilla seis cuando use la sonda, ya que interfiere con la extracción de la sonda.**

- 1 Precaliente el horno a la temperatura del horno deseada en el modo deseado.
- 2 Inserte completamente la sonda en la parte más gruesa de los alimentos.



- 3 Cuando se haya completado el precalentamiento, ponga los alimentos en el horno.

- 4 Inserte la sonda en el receptáculo de la sonda, luego cierre la puerta.



- 5 Pulse Probe (Sonda) en la pantalla táctil.
- 6 Pulse Start (Iniciar) en el panel de control para prefijar la temperatura. Para cambiar la temperatura, use el panel de control para seleccionar la temperatura deseada, y después pulse Start/Enter (Iniciar).
- 7 Un sonido de campana indica que la temperatura se encuentra a 5°F (1°C) por debajo de la temperatura establecida. El horno hace un sonido de campana y la temperatura establecida destella cuando la temperatura interna alcanza el punto establecido.
- 8 Retire y luego vuelva a insertar la sonda para comprobar la temperatura interna.
- 9 Pulse la temperatura destellante para borrar.

### Gourmet

Gourmet ofrece una variedad de preparaciones de comidas rápidas y convenientes. Gourmet también proporciona recomendaciones respecto a posiciones ideales de las rejillas y consejos para garantizar la confianza al cocinar.

Elija de entre seis categorías: carne, pescado, alimentos horneados, pizza, verduras y comidas de un platillo. Cada categoría puede refinarse para garantizar el modo de cocción más efectivo y la posición de la rejilla para crear una obra maestra de cocina.

- 1 Pulse Gourmet.
- 2 Use la pantalla táctil para seleccionar la configuración deseada.



## Guía Gourmet

Tipo	Alimentos	Opción
CARNE	Carne de res*	bistec, lomo, carne rostizada, costilla, pastel de carne, cocción lenta
	Carne de aves*	entero, piezas frescas, pechuga entera
	Carne de puerco*	costillas, lomo, carne rostizada, bistec, chuleta, jamón entero
	Carne de cordero*	pierna, carne asada, costillar
PESCADO	Bistec*	
	Filete*	
	Empanizado	
PRODUCTOS HORNEADOS	Galletas	
	Pastel	en hojas, tipo flauta, esponjoso, ponqué, panecillos
	Pay	de costra sencilla, de costra doble
	Pan	pan rápido, hogaza de levadura, rollos de levadura, bisquets
PIZZA	Fresca	
	Pre-horneada	
	Calzone	
VERDURAS	Rostizados	
	Camotes/batatas*	
	Papas horneadas*	
COMIDAS DE UN PLATILLO	Guisado/a la cacerola*	
	Lasaña*	
	Quiche	

\*No requiere precalentamiento.

### Modos de cocción

MODO	PRECONFIGURADO	RANGO	SONDA	USOS
BAKE (HORNEAR)	350°F (175°C)	200– 550°F (95– 290°C)	*	Lo mejor para cocinar en rejilla sencilla, principalmente alimentos horneados. Utilice para recetas estándar.
CONVECCIÓN	325°F (165°C)	200– 550°F (95– 290°C)	*	El movimiento uniforme del aire hace posible la cocción en varios niveles de rejillas con un dorado uniforme.
ROAST (ROSTIZAR)	350°F (175°C)	200– 550°F (95– 290°C)	*	Cortes de carne menos tiernos y mejores para rostizar, como agujas y carne para estofado que debe ir cubierta.
CONVECTION ROAST (ROSTIZAR POR CONVECCIÓN)	325°F (165°C)	200– 550°F (95– 290°C)	*	Dora suavemente el exterior y sella interiormente los jugos. Perfecto para rostizar cortes tiernos de res, cordero, puerco y aves.
BROIL (ASAR)	Alta	550°F (290°C)		Lo mejor para asar carnes, pescado y aves hasta de 1" de grosor. Utilice una parrilla de dos partes y siempre realice el asado con la puerta del horno cerrada. No requiere precalentamiento.
	Medio	450°F (230°C)		
	Baja	350°F (175°C)		
PROOF (FERMENTACIÓN)	85°F (30°C)	85– 110°F (30– 45°C)		Ideal para fermentar o levar la masa de pan.
CALENTAMIENTO	180°F (80°C)	140– 200°F (60– 95°C)	*	Diseñado para mantener los alimentos a la temperatura para servirse.
GOURMET			*	Gourmet proporciona preparaciones de comidas rápidas y convenientes con recomendaciones respecto al modo de cocción y la posición de la rejilla. La temperatura preestablecida y el rango dependen de la comida y del punto de cocción deseado.
STONE (PIEDRA)	450°F (230°C)	200– 550°F (95– 290°C)	*	Hornear sobre una piedra cerámica. Excelente para pizza y pan. Se requiere un accesorio de piedra.
DESHIDRATAR	135°F (60 °C)	110– 170°F (45– 75°C)		Seca una diversidad de frutas, verduras, hierbas y tiras de carne. Se requieren accesorios para rejillas.

: La sonda de temperatura puede utilizarse con todos los modos de cocción excepto los de asado, fermentación y deshidratar.

# Funcionamiento del horno

## Bloqueo de control

La función de bloqueo impide el funcionamiento no deseado del panel de control y la pantalla táctil. La función de bloqueo deberá restablecerse después de un corte de energía.

- 1 Pulse y mantenga presionado el botón Lock (Bloqueo) durante tres segundos para bloquear.
- 2 Pulse y mantenga el botón Lock (Bloqueo) durante tres segundos para desbloquear.

## Luz del horno

La luz del horno se encenderá automáticamente cuando la puerta esté abierta y se apagará cuando esté cerrada. Para encender la luz cuando la puerta está cerrada, toque Light (Luz) en la pantalla táctil. Para un horno doble, presione Light (Luz) en la parte derecha de la pantalla táctil para el horno inferior.

# Funcionamiento del horno

## Reloj

El reloj es visible en la pantalla táctil durante todos los modos de cocción. Es muy importante fijar el reloj en la hora correcta si se utiliza la función de cocción cronometrada. El reloj debe ser reiniciado después de un apagón eléctrico.

El reloj establece la hora automáticamente si la unidad esta conectada al Wi-Fi. Consulte Conectar este electrodoméstico para más información.

Ajustar el reloj:

- 1 Pulse Settings (Configuración), luego seleccione Time (Hora).
- 2 Pulse para seleccionar el modo de 12 Horas o de 24 Horas y use el panel de control para poner la hora.
- 3 Seleccione AM o PM, luego pulse Start/Enter (Iniciar). Un sonido de campana indica que el reloj ha quedado configurado.

La hora también puede ajustarse mediante la selección de la hora en la pantalla táctil.

## Temporizador

El temporizador se puede ajustar para un máximo de 99 horas y 59 minutos. Una vez establecida la hora, la cuenta regresiva se ilumina en la pantalla táctil. El temporizador es independiente del horno. Ajustar el temporizador no afecta el tiempo de cocción ni el tiempo de parada.

Configurar el temporizador:

- 1 Pulse Timer 1 o Timer 2.
- 2 Use el panel de control para fijar la duración, y después pulse Start/Enter (Iniciar). Un sonido de campana indica que la hora ha quedado configurada.
- 3 Para cancelar o editar, pulse el reloj en cuenta regresiva que está en la pantalla táctil.
- 4 El temporizador sonará cuando falte un minuto. El temporizador sonará y destellará al finalizar.
- 5 Pulse el tiempo destellante para borrar.

# Funcionamiento del horno

## Opciones extendidas

Para tener acceso a opciones extendidas, pulse Settings (Configuraciones). Use la barra deslizable para llegar a la opción deseada y pulse la opción para seleccionar. Si necesita más información, pulse Info (Información).

### OPCIÓN

<b>Hora</b>	Seleccionar 12 horas o 24 horas.
<b>Sabbath</b>	Activar o desactivar Sabbath.
<b>Reloj</b>	Seleccionar digital, analógico, en blanco o logotipo.
<b>Conectarse</b>	Encender conectarse o desconectarse.*
<b>Modo de espera</b>	Activar o desactivar energía en modo de espera.
<b>Idioma</b>	Seleccionar: Inglés, español, francés, italiano, alemán, holandés o chino.
<b>Unidades</b>	°F/Imperial o °C/Métrico.
<b>Sala de exhibición</b>	Para uso en salas de exhibición solamente.
<b>Información</b>	Acceda a consejos útiles e información del producto.
<b>Acerca de</b>	Para servicio solamente.
<b>Variación de temperatura</b>	Para servicio solamente.
<b>Calibración</b>	Ajustar la calibración de la pantalla.
<b>Sonido</b>	Silenciar, 1-5 y alto, medio y bajo.
<b>Brillo</b>	Ajustar el brillo de la pantalla. 0-100%.

\*Para conectarse a la aplicación de Sub-Zero Group Owners, la opción Connect (Conectarse) debe estar activada.

## Cocción cronometrada

La cocción cronometrada apaga automáticamente el horno a una hora específica. El horno empieza a calentarse inmediatamente y se apaga a la hora que usted desee que se apague. Si se requiere precalentamiento, el tiempo del mismo debe registrarse al determinar la duración de la cocción. El reloj debe estar configurado con la hora correcta para que el inicio automático funcione correctamente. Utilice cualquier modo de cocción excepto el de asado, Gourmet o piedra para hornear. La sonda de temperatura no puede usarse durante la cocción cronometrada.

- 1 Pulse el modo de cocción deseado y seleccione la temperatura deseada.
- 2 Pulse Timed Cook (Cocción cronometrada), y después seleccione la duración deseada de la cocción.
- 3 Pulse Start (Iniciar) para comenzar.
- 4 Para cancelar, pulse el tiempo de duración/parada destellante en la pantalla táctil.
- 5 El horno se apaga automáticamente cuando se ha completado el tiempo de cocción.
- 6 Pulse Off (Apagar) para borrar.

## Retraso de inicio

El retraso de inicio enciende y apaga el horno automáticamente a una hora específica. El horno permanece inactivo hasta la hora de inicio deseada y se apaga a la hora que usted desee. Si se requiere precalentamiento, el tiempo del mismo debe registrarse al determinar la duración de la cocción. El reloj debe estar configurado con la hora correcta para que el inicio automático funcione correctamente. Utilice cualquier modo de cocción excepto el de asado, Gourmet o piedra para hornear. La sonda de temperatura no puede usarse durante el retraso de inicio.

- 1 Pulse el modo de cocción deseado y seleccione la temperatura deseada.
- 2 Pulse Timed Cook (Cocción cronometrada), y después seleccione la duración deseada de la cocción.
- 3 Use el panel de control para seleccionar la hora de parada, y después pulse Start/Enter (Iniciar).
- 4 Para cancelar, pulse el tiempo de duración/parada destellante en la pantalla táctil.
- 5 El horno se apaga automáticamente cuando se ha completado el tiempo de cocción.
- 6 Pulse Off (Apagar) para borrar.

## Limpieza

### PRECAUCIÓN

**Durante la limpieza, las superficies externas pueden alcanzar una temperatura más alta de lo normal. Debe mantener a los niños alejados.**

Durante la limpieza, el horno alcanza una temperatura extremadamente alta para quemar los residuos de los alimentos. Se desactivan las luces del horno. La limpieza dura aproximadamente cuatro horas.

La porcelana está hecha de productos naturales y, por tanto, puede quebrarse o desarrollar finas líneas y grietas debido a la expansión y contracción que ocurre al fluctuar la temperatura del horno (especialmente cuando se usa la función de autolimpieza). Esto puede resultar en imperfecciones cosméticas, tales como una apariencia turbia, opaca o rasguñada. Las imperfecciones cosméticas pueden ser más visibles en una cavidad de horno con color.

**NOTA IMPORTANTE:** Para hornos dobles, el otro horno no puede estar en uso durante la limpieza.

- 1 Encienda la ventilación. Es normal que haya un poco de humo y olor.
- 2 Presione Clean (Limpiar).
- 3 Pulse Start/Enter (Iniciar), luego abra la puerta del horno.
- 4 Retire las rejillas del horno y las guías de las rejillas, y después pulse OK.
- 5 La puerta del horno se bloqueará y permanece bloqueada hasta que haya terminado la limpieza y la temperatura del horno sea inferior a 550°F (290°C).
- 6 Pulse Off (Apagar) para borrar.

### RETRASO DE LA LIMPIEZA

- 1 Encienda la ventilación. Es normal que haya un poco de humo y olor.
- 2 Presione Clean (Limpiar).
- 3 Pulse Delayed Clean (Retraso de la limpieza) y use el panel de control para seleccionar la hora de inicio deseada, y después pulse Start/Enter (Iniciar).

## Limpieza

- 4 Retire las rejillas del horno y las guías de las rejillas, y después pulse OK.
- 5 La puerta del horno se bloqueará y permanece bloqueada hasta que haya terminado la limpieza y la temperatura del horno sea inferior a 550°F (290°C).
- 6 Pulse Off (Apagar) para borrar.

## Sabbath

Este electrodoméstico lleva el certificado Star-K que indica que cumple con estrictas normas religiosas junto con instrucciones específicas que aparecen en [www.star-k.org](http://www.star-k.org).

Los modos asar, hornear, fermentar y calentamiento pueden usarse en Sabbath.

Ajustar controles:

- 1 Encender o apagar las luces.
- 2 Pulse Settings (Configuración), luego seleccione Sabbath.
- 3 Pulse On (Encender), luego pulse Start/Enter (Iniciar).
- 4 Seleccione el modo y la temperatura de cocción, y después pulse Start/Enter (Iniciar).
- 5 Después de diez segundos, la unidad comienza Sabbath.
- 6 Para cambiar la temperatura del horno mientras esté en Sabbath, use el panel de control para seleccionar la temperatura deseada, y después pulse Start/Enter (Iniciar). La temperatura cambia al azar después de que se seleccione la temperatura nueva.
- 7 Pulse Off (Apagar) para cancelar el modo. El icono de Sabbath desaparece después de diez segundos.

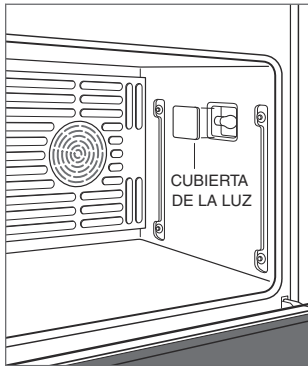
# Funcionamiento del horno

## Foco de la luz del horno

### ⚠ ADVERTENCIA

**Compruebe que la energía esté desconectada de la caja eléctrica antes de reemplazar un foco.**

Deje que el horno se enfríe por completo, luego retire las rejillas del horno y las guías de las rejillas. Para retirar la cubierta de la luz, haga palanca suavemente en el borde inferior con un destornillador plano. Retire el foco existente y reemplácelo con un foco de halógeno de 40 vatios. No toque el nuevo foco con las manos descubiertas. Póngase guantes de goma o use una toalla de papel para sujetar el foco durante la instalación.



Para reemplazar el foco ubicado en la parte superior de la cavidad del horno, póngase en contacto con el centro de servicio certificado de fábrica de Wolf. Para informarse de los datos del centro de servicio certificado de fábrica de Wolf más cercano, consulte la sección de servicio técnico en nuestro sitio web, [wolfappliance.com](http://wolfappliance.com) o bien, llame a la línea de atención al cliente de Wolf al 800-222-7820.



## Guía de cocina de Wolf

Alimentos		Rejilla(s)	Modos	Temp horno	Hora	Posición	Notas
Panes	Bisquets	1	Asar	400°F (205°C)	5-10 min	3	
		2	Convección	425°F (220°C)	5-10 min	2,5	
		3	Convección	425°F (220°C)	5-10 min	1,3,5	
	Pancitos dulce de canela	1	Hornear	350°F (175°C)	20-25 min	3	
		2	Convección	325°F (165°C)	20-25 min	2,5	
		3	Convección	325°F (165°C)	20-25 min	1,3,5	
	Muffins	1	Hornear	400°F (205°C)	15-20 min	3	
		2	Convección	375°F (190°C)	10-15 min	2,5	
		3	Convección	375°F (190°C)	10-15 min	1,3,5	
	Pancitos de levadura	1	Convección	375°F (190°C)	10-20 min	3	
		2	Convección	375°F (190°C)	10-20 min	2,5	
		3	Convección	375°F (190°C)	10-20 min	1,3,5	
	Pan de levadura (pan de molde)	1	Hornear	350°F (175°C)	20-45 min	3	
	Pan de levadura (sin charola)	1	Piedra	450°F (230°C)	15-45 min	1	
	Panes rápidos	1	Hornear	350°F (175°C)	40-50 min	3	
	Pan de ajo	1	Asar	Medio		5	
	Pan tostado	1	Asar	Alta		5	
Pasteles	Pan de ángel	1	Hornear	350°F (175°C)	35-45 min	1	
	Tarta o budín	1	Hornear	350°F (175°C)	40-50 min	3	
	Mezclas o desde inicio	1	Hornear	350°F (175°C)	20-30 min	3	
		2	Convección	325°F (165°C)	20-30 min	2,5	
	Pastelitos	1	Hornear	350°F (175°C)	20-25 min	3	
		2	Convección	325°F (165°C)	15-25 min	2,5	
		3	Convección	325°F (165°C)	15-25 min	1,3,5	
Galletas	Galletas o barras	1	Hornear	350°F (175°C)	10-25 min	3	
		2	Convección	325°F (165°C)	10-25 min	2,5	
		3	Convección	325°F (165°C)	10-25 min	1,3,5	
Pays	de 2 costras, relleno o recubierto	1	Hornear	350°F (175°C)	40-45 min	3	

## Guía de cocina de Wolf

Alimentos	Rejilla(s)	Modos	Temp horno	Hora	Posición	Notas
Merengue de limón	1	Asar	325°F (165°C)	10-15 min	3	
Calabaza o natillas	1	Hornear	325°F (165°C)	<Vea nota>	3	Hornee durante 15 min a 425°F, reduzca la temperatura a 325°F y hornee hasta que el pay esté listo, de 45 a 60 min.
Costra de pay (vacía)	1	Hornear	425°F (220°C)	10-15 min	3	
Hojaldres	1	Hornear	400°F (205°C)	10-15 min	3	
	2	Convección	375°F (190°C)	10-15 min	2,5	
	3	Convección	375°F (190°C)	10-15 min	1,3,5	
Hojaldres con crema	1	Convección	400°F (205°C)	20-30 min	3	

NOTA: El consumo de carnes, aves, mariscos, ostras o huevos crudos o sin buena cocción, puede aumentar su riesgo de enfermedades derivadas de los alimentos.

Alimentos	Rejilla(s)	Modos	Temp horno	Hora	Temp sonda	Notas
Carne de res Hamburguesas de carne molida	5	Asar	Alta	10-15 min		Voltear a los 7 min.
Bistecs (de menos de 1" de grueso)	5	Asar	Alta	10-15 min		Voltear a los 6 min.
Bistecs (de 1" a 3" de grueso)	5	Asar	Alta	10-20 min		Voltear a los 8 min.
Agujas	3	Asar Conv	325°F (165°C)	20-25 min/lb.	Med 150°F (65°C)	Coloque en el plato, con líquido a 1/2 de la altura de la carne.
	3	Asar	350°F (175°C)	20-25 min/lb.	Med 150°F (65°C)	
Asar	2	Asar	425°F (220°C) / 325°F (165°C)	vea nota	Ligeramente cocida 135°F (60°C)	Ase durante 30 min a 425°F, reduzca la temperatura a 325°F y cueza a la temperatura interna deseada.
Rostizado lento	2	Hornea r	300°F (150°C)			Coloque en un plato cubierto, con líquido a 1/4 de la altura de la carne.

## Guía de cocina de Wolf

Alimentos	Rejilla(s)	Modos	Temp horno	Hora	Temp sonda	Notas	
Prime rib	2	Asar	450°F (230°C) / 225°F (105°C)	vea nota	Ligeramente cocida 130°F (55°C)	No es necesario precalentar. Ase durante 30 min a 450°F, reduzca la temperatura a 225°F y cueza a la temperatura interna deseada.	
Lomo	3	Asar Conv	450°F (230°C)	10–20 min/lb.	Ligeramente cocida 130°F (55°C)		
Aves	Pollo con hueso	5	Asar Conv	325°F (165°C)	20-25 min	Muslo 180°F (80°C)	
	Pollo entero	2	Asar Conv	325°F (165°C)	10–20 min/lb.	Muslo 180°F (80°C)	
	Pavo entero (en salmuera)	1	Hornear	350°F (175°C)	10–15 min/lb.	Muslo 180°F (80°C)	
	Pavo entero	1	Asar Conv	325°F (165°C)	10–15 min/lb.	Muslo 180°F (80°C)	
		1	Asar	325°F (165°C)	10–15 min/lb.	Muslo 180°F (80°C)	
	Pato	2	Asar Conv	325°F (165°C)	15–20 min/lb.	Muslo 180°F (80°C)	
	Ganso	2	Asar Conv	325°F (165°C)	15–20 min/lb.	Muslo 180°F (80°C)	
	Codorniz	3	Asar Conv	325°F (165°C)	1 hora	Muslo 180°F (80°C)	
		3	Asar	350°F (175°C)	1 hora	Muslo 180°F (80°C)	
	Cuartos de pollo, muslos	5	Asar	Medio	20-25 min		Voltear a la mitad del tiempo de asado.
		3	Asar	350°F (175°C)	30-40 min	Muslo 180°F (80°C)	
		3	Asar Conv	325°F (165°C)	30-40 min	Muslo 180°F (80°C)	
		3	Hornear	350°F (175°C)	30-40 min	Muslo 180°F (80°C)	
	Piezas de pavo	3	Asar Conv	325°F (165°C)	30-40 min	Muslo 180°F (80°C)	
		3	Asar	350°F (175°C)	30-40 min	Muslo 180°F (80°C)	

## Guía de cocina de Wolf

Alimentos	Rejilla(s)	Modos	Temp horno	Hora	Temp sonda	Notas
Pechuga de pollo deshuesada	5	Asar	Medio	10-15 min		Voltear a la mitad del tiempo de asado.
(aplanada a 1/2" de grueso)	3	Asar Conv	350°F (175°C)	15-20 min	Pechuga 165°F (75°C)	
Pechuga de pavo entera	2	Asar Conv	325°F (165°C)	15-20 min	Pechuga 165°F (75°C)	
	2	Asar	350°F (175°C)	15-20 min	Pechuga 165°F (75°C)	
Carne de puerco	Chuletas, bistecs (1/2" de grueso)	5	Asar	Alta	5-10 min	Voltear a la mitad del tiempo de asado.
		3	Asar Conv	350°F (175°C)	10-15 min	
	Rostizado lento	2	Hornear	300°F (150°C)		Coloque en un plato cubierto, con líquido a 1/4 de la altura de la carne.
	Costillas	3	Hornear	300°F (150°C)		Coloque en paquetes con papel aluminio o en un plato cubierto, con líquido a 1/4 de la altura de la carne.
	Lomo	3	Asar Conv	400°F (205°C)	15-20 min/lb.	Ligeramente cocida 130°F (55°C)
	Bistec de jamón (1/2" de grueso)	5	Asar	Alta	5-10 min	Voltear a la mitad del tiempo de asado.
	Bistec de jamón (1" de grueso)	5	Asar	Alta	10-15 min	Voltear a la mitad del tiempo de asado.
	Jamón entero	2	Hornear	335°F (170°C)	10-15 min/lb.	160°F (70°C) Cubra y deje reposar durante 15 min.
Carne de cordero	Chuletas, bistecs (3/4" de grueso)	5	Asar	Alta	5-10 min	Voltear a la mitad del tiempo de asado.
	Pierna	2	Asar Conv	425°F (220°C) / 325°F (165°C)	vea nota	145°F (65°C) Ase durante 30 min a 425°F, reduzca la temperatura a 325°F y cueza a la temperatura interna deseada.

## Guía de cocina de Wolf

Alimentos		Rejilla(s)	Modos	Temp horno	Hora	Temp sonda	Notas
	Rostizado de ternera	2	Asar Conv	300°F (150°C)	30–35 min/lb.	140 °F (60 °C)	
	Coronilla	2	Asar Conv	325°F (165°C)	15–20 min/lb.	145°F (65°C)	
Pizza	Calzone	1	Piedra	375°F (190°C)	10-15 min		
	Casera	1	Piedra	450°F (230°C)	5-15 min		
	Pizza de pan francés	5	Asar	Medio	10-15 min		
Pescado	Filete (de menos de 1" de grueso)	5	Asar	Medio	10-20 min		
	Filete (de más de 1" de grueso)	5	Asar Conv	375°F (190°C)	15-25 min		
Verduras	Papas, camotes	3	Hornear	350°F (175°C)	45-60 min		
	Verduras mixtas	4	Asar Conv	400°F (205°C)	10-20 min		
Otros	Pastel de carne	2	Asar	425°F (220°C) / 325°F (165°C)	vea nota	165°F (75°C)	Ase durante 20 min a 425°F, reduzca la temperatura a 325°F y cueza a la temperatura interna deseada.
	Salchicha, bratwurst (fresca)	5	Asar	Medio	10-15 min		Voltear a la mitad del tiempo de asado.
	Nachos	3	Asar	Baja	15-20 min		
	Quiche	3	Hornear	350°F (175°C)	40-50 min		
	Comidas de un platillo	3	Hornear	350°F (175°C)	45-60 min	175°F (80°C)	

NOTA: El consumo de carnes, aves, mariscos, ostras o huevos crudos o sin buena cocción, puede aumentar su riesgo de enfermedades derivadas de los alimentos.

## Recomendaciones para el cuidado

### Recomendaciones para el cuidado

Use esta información para las recomendaciones de limpieza simple.

#### ACERO INOXIDABLE

- 1 Utilice un limpiador no abrasivo para acero inoxidable y aplique con un paño suave que no deje pelusa.
- 2 Limpie suavemente la superficie con una tela de microfibra humedecida con agua y, luego, pule en seco con una gamuza.
- 3 Siempre siga la dirección del acabado de acero inoxidable.

#### REJILLAS DEL HORNO Y GUÍAS DE LAS REJILLAS

- 1 Retire y coloque sobre una superficie plana cerca del fregadero.
- 2 Limpie con agua caliente y un detergente suave; o bien, con pasta de bicarbonato de sodio y agua.
- 3 No sumerja en agua.
- 4 Seque con una toalla.

#### PANEL DE CONTROL Y PANTALLA TÁCTIL

- 1 Pulse y mantenga Lock (Bloqueo) durante tres segundos para bloquear el panel de control y la pantalla táctil.  
: No aplique limpiadores directamente sobre el panel de control o de la pantalla táctil.
- 2 Utilice desengrasante en aerosol para retirar las marcas de los dedos y los residuos de alimentos. Rocíe el producto en un paño antes de limpiar los controles.

#### INTERIOR DEL HORNO

**NOTA IMPORTANTE::** Quite cualquier residuo de comida (especialmente azúcares, ácidos y salsas hechas con tomate) cuando el interior del horno pueda tocarse de manera segura. Algunas manchas son permanentes, pero no deberán afectar la función de la porcelana

- 1 Antes de activar la función de limpieza, retire suavemente con un cuchillo los restos de alimentos adheridos a la cavidad y la puerta del horno.
- 2 Para eliminar manchas difíciles, aplique un limpiador ligeramente abrasivo o desengrasante en aerosol y frótelos con una esponja Scotch-Brite™ cero rayones (rosa o azul).
- 3 Lave toda la cavidad del horno con jabón y agua para remover los químicos de limpieza antes de iniciar el modo de limpieza. Si no se retiran los residuos de la cavidad, es posible que la porcelana se desgaste por corrosión.
- 4 Una vez que el ciclo de limpieza haya terminado, deje enfriar el horno por completo y limpie la ceniza con un paño húmedo.

#### PARRILLA PARA ASAR

**NOTA IMPORTANTE::** No coloque la parrilla en el lavavajillas.

- 1 Deseche la grasa y lave con agua caliente y detergente suave.
- 2 Enjuague y seque.

#### REJILLA DE PARRILLA PARA ASAR

**NOTA IMPORTANTE::** La rejilla es apta para lavado en lavavajillas.

- 1 Para limpiar a mano, utilice detergente suave y un estropajo.
- 2 Enjuague y seque.

# Solución de problemas

Antes de ponerse en contacto con el centro de servicio certificado de fábrica, visite [subzero-wolf.com/assistance](http://subzero-wolf.com/assistance) o use estas sugerencias útiles para prevenir la necesidad de una visita de servicio.

### EL HORNO NO FUNCIONA

- 1 Compruebe si la energía está encendida. El horno se apaga automáticamente después de 12 horas de uso continuo, excepto en Deshidratar o Sabbath.
- 2 Compruebe que la alimentación eléctrica al horno y el interruptor de circuito de la casa estén encendidos.
- 3 Apague la unidad al interruptor de circuito o fuente de suministro eléctrico por 30 segundos, luego encienda la unidad.
- 4 Introduzca un comando con el panel de control para ver si responde. Para el funcionamiento del horno inferior, primero pulse LOWER OVEN (horno inferior).

### NO RESPONDE EL PANEL DE CONTROL NI LA PANTALLA TÁCTIL

- 1 La limpieza, la temperatura y el área de su dedo utilizado pueden marcar la diferencia en la respuesta del control.
  - Asegúrese de que sus manos estén limpias cuando use los controles.
  - Caliente las manos frías antes de pulsar el panel de control.
  - Utilice la yema o la punta del dedo, no una uña, para pulsar las teclas o botones de control.
- 2 La unidad está en Sabbath (★ aparece en la pantalla táctil).
- 3 Verifique que la unidad no esté bloqueada. Mantenga pulsado LOCK durante tres segundos para desbloquearla.
- 4 Apague el interruptor de circuito durante 30 segundos, después vuelva a encenderlo. Vuelva a probar el funcionamiento de la máquina.

### PROBLEMAS CON LA TEMPERATURA DEL HORNO

- 1 Deje que se precaliente completamente el horno.
  - Precalentar el horno para cada modo, fuera del asador es clave para un rendimiento óptimo de cocción.
  - Se esperan resultados variados si no se alcanzan las temperaturas de precalentamiento antes de añadir la comida al horno.
- 2 Si está disponible, use la sonda de temperatura para obtener resultados de cocción más constantes.
- 3 Si ocurre cualquiera de los siguientes casos, es necesario llamar al servicio técnico para diagnosticar y reparar el producto de forma experta:
  - El horno no se está calentando lo suficiente aunque el horno esté a la temperatura adecuada.
  - El precalentamiento se ha realizado, pero el horno aún no está caliente.
  - Los alimentos no se cocinan o tardan mucho en cocinarse en comparación con el tiempo de la receta o la experiencia pasada.
  - Los alimentos se cocinan de forma irregular después de seguir las instrucciones del fabricante y de la receta.
  - El aumento de la temperatura no muestra ninguna mejora en el tiempo de cocción o en el rendimiento del horno.
- 4 Comuníquese con la línea de atención al cliente de Wolf al 800-222-7820.

### "PROBE SHORTED" (SONDA EN CORTO CIRCUITO) APARECE EN LA PANTALLA TÁCTIL

Pulse Off (Apagar). Compruebe que el conector de la sonda está bien asentado en el recipiente. Restablezca la temperatura del horno y la temperatura de la sonda.

### Solución de problemas

#### **APARECE UN MENSAJE DE ERROR DURANTE EL CICLO DE AUTOLIMPIEZA**

Para el caso de hornos dobles, si un horno está activo en un ciclo de autolimpieza, el otro horno no puede usarse.

#### **EL HORNO HACE "POP" O "BANG" DURANTE EL PRECALENTAMIENTO O EL ENFRIAMIENTO**

Eso es normal debido a la expansión y contracción de la nueva cavidad del horno.

- 1 Ponga en funcionamiento la Autolimpieza para ayudar a reducir el ruido.
- 2 Puede que amerite usar el horno varias veces, antes de que el ruido desaparezca. Si persiste, contacte a Atención al Cliente de Wolf al 800-222-7820.



## Servicio

- Para mantener la calidad de su producto, póngase en contacto con Wolf Appliance el centro de servicio autorizado. Para obtener los datos del Wolf Appliance centro de servicio autorizado más cercano, revise la sección de contacto y apoyo de nuestro sitio web, [coveappliance.com](http://coveappliance.com), o llame Wolf Appliance a la línea de atención al cliente al 800-222-7820.
- Al comunicarse con el servicio, tenga el modelo y el número de serial del producto. Los dos números aparecen en la placa de datos del producto. Vea la ubicación de la placa de datos en la primera página de este manual.
- Para fines de la garantía, usted también necesitará la fecha de instalación y el nombre de su distribuidor autorizado Cove. Registre esta información en la primera página de este manual.

# Garantía residencial de Wolf

## PARA USO RESIDENCIAL

### GARANTÍA COMPLETA DE DOS AÑOS\*

Durante dos años a partir de la fecha de la instalación original, la garantía de su producto Wolf Appliance cubre todas las piezas y mano de obra para reparar o cambiar, de acuerdo con el uso residencial normal, cualquier pieza del producto que se compruebe que está defectuosa en material o mano de obra. Todos los servicios proporcionados por Wolf Appliance bajo la garantía anterior deben ser ejecutados por servicios certificados de fábrica de Wolf, a menos que Wolf Appliance, Inc. lo especifique de otra manera. El Servicio se hará durante el horario comercial normal.

### GARANTÍA LIMITADA DE CINCO AÑOS

Durante cinco años a partir de la fecha de la instalación original, Wolf Appliance reparará o cambiará los siguientes componentes que se comprueben que están defectuosos en material o mano de obra: quemadores de gas (excluyendo la apariencia), elementos eléctricos de calentamiento, motores de sopladores (campanas de ventilación), módulos de control eléctrico, tubos magnetrón y generadores de inducción. Si el propietario utiliza el servicio certificado de fábrica de Wolf, el prestador del servicio reparará o reemplazará estas partes mediante el pago de todos los otros costos, incluyendo mano de obra, a cargo del propietario. Si el propietario usa un servicio no certificado, debe ponerse en contacto con Wolf Appliance, Inc. (mediante la información anotada más adelante) para recibir los componentes reparados o de cambio. Wolf Appliance no reembolsará al propietario los importes correspondientes a los componentes comprados a un servicio no autorizado o a otras fuentes.

### TÉRMINOS APLICABLES A CADA GARANTÍA

La garantía se aplica solamente a los productos instalados para uso residencial normal. La garantía se aplica solamente a los productos instalados en cualquiera de los cincuenta estados de Estados Unidos, el Distrito de Columbia o las diez provincias de Canadá. Esta garantía no cubre las partes o mano de obra para corregir cualquier defecto causado por negligencia, accidente o uso, mantenimiento, instalación, servicio o reparación inadecuados.

LOS RECURSOS DESCRITOS ANTERIORMENTE PARA CADA GARANTÍA SON LOS ÚNICOS QUE WOLF APPLIANCE, INC. PROPORCIONARÁ, YA SEA BAJO ESTA GARANTÍA O BAJO CUALQUIER GARANTÍA QUE RESULTE DE LA APLICACIÓN DE LA LEY. WOLF APPLIANCE, INC. NO SE HACE RESPONSABLE POR LOS DAÑOS INDIRECTOS O INCIDENTALES DERIVADOS DEL INCUMPLIMIENTO DE ESTA GARANTÍA O CUALQUIER OTRA GARANTÍA, YA SEA EXPRESA, IMPLÍCITA O LEGAL.

Algunos estados no permiten la exclusión o limitación de daños fortuitos o imprevistos, por lo que la limitación o exclusión anterior podría no aplicarse a su caso. Esta garantía le otorga derechos legales específicos y usted también puede tener otros derechos legales que varían entre estados.

Para recibir las partes o el servicio y el nombre del servicio certificado de fábrica de Wolf más cercano a usted, póngase en contacto con Wolf Appliance, Inc., P.O. Box 44848, Madison, WI 53744; eche un vistazo a la sección de soporte del producto en nuestro sitio web, [wolfappliance.com](http://wolfappliance.com), envíenos un correo electrónico a [customerservice@subzero.com](mailto:customerservice@subzero.com) o llame al 800-222-7820.

\* Las puertas, paneles, manijas, estructuras y superficies internas de acero inoxidable están cubiertas por una garantía limitada de 60 días sobre piezas y mano de obra, por defectos estéticos.

### Table des matières

- 59 Service à la clientèle
- 60 Remarque importante
- 62 Caractéristiques
- 63 Comment commencer
- 72 Fonctionnement du four
- 78 Guide de cuisson
- 84 Conseils d'entretien
- 85 Dépannage
- 87 Service
- 88 Garantie résidentielle de Wolf

### Service à la clientèle

Le numéro de modèle et le numéro de série sont imprimés sur la fiche d'enregistrement du produit ci-jointe. Les deux numéros sont aussi indiqués sur la plaque signalétique du produit (reportez-vous aux [caractéristiques de la série E](#) pour connaître l'emplacement de la plaque signalétique). Pour les besoins de la garantie, vous devrez aussi avoir la date d'installation et le nom de votre dépositaire Wolf autorisé. Inscrivez ces renseignements ci-dessous pour consultation ultérieure.

Si votre produit a besoin d'être réparé, assurez-vous d'utiliser un fournisseur de service certifié par l'usine Wolf recommandé par notre centre de service à la clientèle, ou sélectionnez-en un parmi la liste de fournisseurs disponibles à [wolfappliance.com/locator](http://wolfappliance.com/locator). Tous les fournisseurs de service certifiés par l'usine sont soigneusement sélectionnés et rigoureusement formés par nous.

#### RENSEIGNEMENTS SUR LE SERVICE

---

Numéro de modèle

---

Numéro de série

---

Date de l'installation

---

Nom du service certifié

---

Numéro du service certifié

---

Dépositaire autorisé

---

Numéro du dépositaire

---

### Remarque importante

Pour s'assurer que ce produit est installé et utilisé en toute sécurité et aussi efficacement que possible, prenez note des types de renseignement mis en évidence tout au long de ce guide :

**REMARQUE IMPORTANTE:** Met en évidence des renseignements qui sont particulièrement importants.

#### MISE EN GARDE

**Indique une situation où une blessure mineure ou des dommages au produit peuvent se produire si les directives ne sont pas respectées.**

#### AVERTISSEMENT

**Décrit un danger qui peut causer une blessure grave ou la mort si les précautions ne sont pas respectées.**

**REMARQUE IMPORTANTE:** Tout au long de ce guide, les dimensions entre parenthèses sont en millimètres à moins d'indication contraire.

### Précautions générales de sécurité

- Lisez ce guide attentivement avant d'utiliser cet appareil afin de réduire le risque d'incendie, de choc électrique ou de blessures.
- Cet appareil doit être correctement installé et réparé par un installateur ou une agence de service qualifiés et mis à la terre par un technicien qualifié.
- Nettoyez seulement les pièces indiquées dans ce guide.
- N'utilisez pas de nettoyeurs pour le four. Aucun nettoyeur pour le four commercial ni aucun revêtement protecteur de toute sorte ne doivent être utilisés dans ou autour des pièces du four.
- Ne touchez pas aux éléments de chauffage ou aux surfaces intérieures du four. Les éléments chauffants peuvent être chauds même s'ils sont de couleur foncée. Les surfaces intérieures deviennent assez chaudes pour causer des brûlures. Pendant et après l'utilisation, ne touchez pas et ne laissez pas les vêtements ou d'autres matériaux inflammables entrer en contact avec les éléments de chauffage ou les surfaces intérieures du four avant qu'ils n'aient eu suffisamment de temps pour se refroidir.
- Faites attention lorsque vous ouvrez la porte du four. Laissez l'air chaud ou la vapeur s'échapper avant de regarder ou de mettre les bras dans le four.
- Assurez-vous que l'admission d'air frais du four (située au-dessus de la porte) et le conduit de sortie du four (situé sous la porte) soient dégagés en tout temps.
- Utilisez toujours des poignées sèches pour retirer des casseroles de cet appareil. Des poignées mouillées ou humides peuvent causer des brûlures de vapeur. N'utilisez pas une serviette ou un chiffon épais au lieu de poignées.
- Placez les grilles du four aux endroits désirés lorsque le four est froid. Si une grille doit être déplacée et que le four est déjà chaud, assurez-vous que les poignées n'entrent pas en contact avec l'élément chauffant chaud du four.
- Ne réparez pas et ne remplacez pas toute pièce de cet appareil à moins que cela ne soit spécifiquement recommandé dans la documentation accompagnant l'appareil.

### Précautions générales de sécurité

- N'utilisez pas du papier en aluminium pour couvrir toute partie de cet appareil.
- N'utilisez jamais cet appareil pour réchauffer ou chauffer la pièce.
- Ne laissez pas des enfants seuls ou sans surveillance dans la zone où cet appareil est utilisé. Ne laissez jamais des enfants s'asseoir ou se tenir debout sur l'appareil.
- Ne rangez pas des articles intéressants pour les enfants au-dessus ou à l'arrière de cet appareil puisqu'ils pourraient grimper sur l'appareil pour les atteindre et se blesser.
- N'utilisez pas de l'eau sur les incendies de graisse. Éteignez la flamme ou utilisez un extincteur à poudre chimique ou à mousse.
- Ne chauffez pas des contenants d'aliment non ouverts comme les pots et les boîtes de nourriture pour bébé. L'accumulation de pression peut faire éclater le contenant et causer des blessures.
- Ne rangez pas et n'utilisez pas de l'essence ou d'autres vapeurs ou liquides inflammables à proximité de cet appareil ou de tout autre appareil.
- Ne nettoyez pas le joint du four; le frottage ou le déplacement du joint peuvent compromettre l'étanchéité de la porte.
- Portez des vêtements appropriés. Des vêtements lâches ou pendants ne doivent jamais être portés pendant que vous utilisez cet appareil.

#### MISE EN GARDE

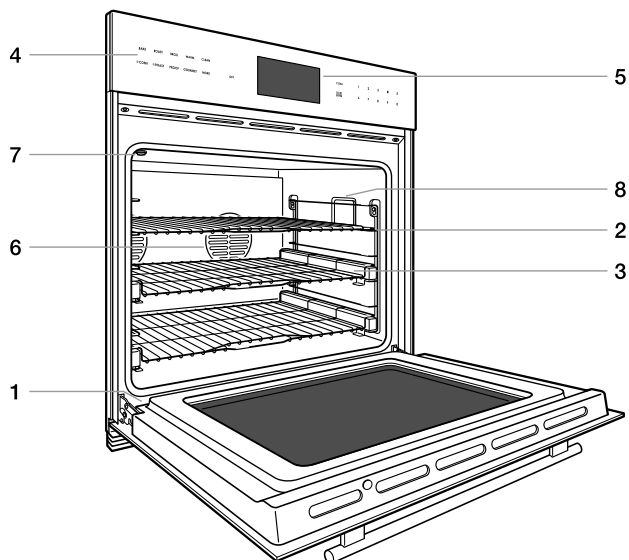
**Avant d'utiliser la fonction auto-nettoyage, retirez la lèchefrite, les grilles du four, les guides de grille et tout autre ustensile.**

## Caractéristiques

# Caractéristiques de la série E

### CARACTÉRISTIQUES

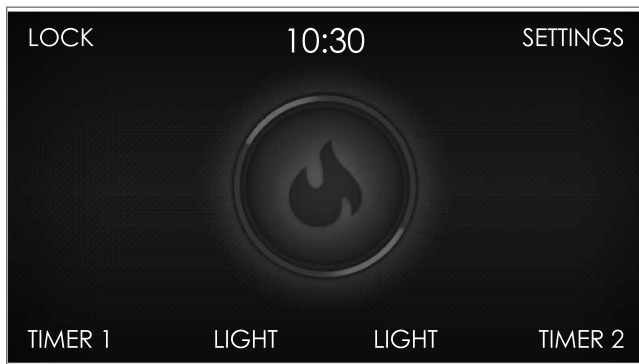
1	Plaque signalétique du produit (four inférieur pour les fours doubles)
2	Grille de four réglable
3	Grilles de four à extension complète
4	Panneau de commande
5	Écran tactile
6	Ventilateurs à convection
7	Prise de la sonde de température
8	Éclairage halogène



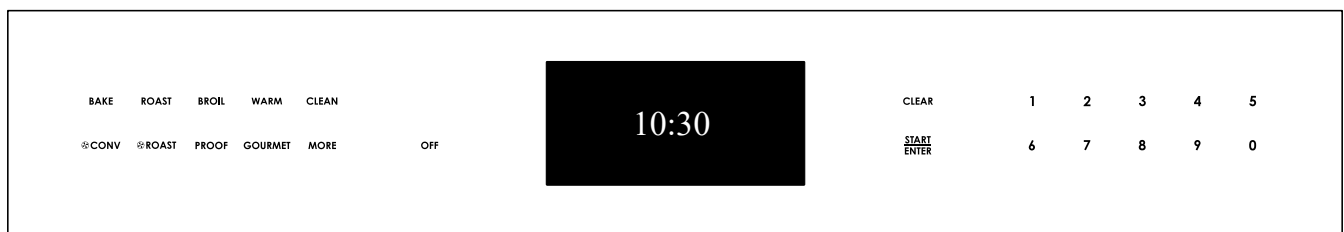
## Comment commencer

### Panneau de commande

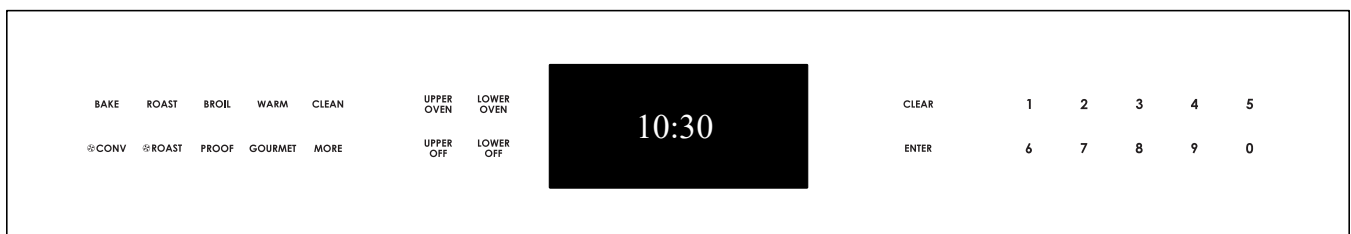
Les fours de la série E de Wolf utilisent une combinaison d'un panneau de commande et d'un écran tactile. Le four offre dix modes de cuisson—cuisson, convection, rôtissage, rôtissage par convection, grillage, apprêt, garder au chaud, gastronomique, pierre de cuisson et déshydratation. Les modes convection, gastronomique, pierre de cuisson et déshydratation ne sont pas offerts avec le four inférieur des fours doubles. Les modes pierre de cuisson et déshydratation nécessitent des accessoires.



Écran tactile (four double illustré)



Panneau de commande (four simple)




Panneau de commande (four double)

### Fonctionnement du panneau de commande

- 1 Touchez au mode de cuisson voulu ou touchez à More (autres) pour accéder à d'autres modes. Pour les fours doubles, touchez à Upper On (supérieur en marche) ou Lower On (inférieur en marche) pour sélectionner le four.
- 2 Touchez à Start/Enter (mise en marche/entrée) pour sélectionner une température pré réglée ou utilisez le clavier numérique pour modifier la température. Touchez à Clear (annuler) à tout moment pour revenir en arrière.
- 3 Touchez à Start/Enter (mise en marche/entrée).

### Avant l'utilisation

Pour s'assurer que toute l'huile résiduelle du processus de fabrication ait été éliminée, chaque four doit subir la procédure suivante :

- 1 Nettoyez le four à fond avec de l'eau chaude et un détergent doux. Rincez et séchez avec un chiffon doux.
- 2 Mettez la ventilation en marche. Il est normal de voir de la fumée et de sentir une odeur.
- 3 Touchez  Roast (rôtissage pour le four inférieur) et réglez la température à 500 °F (260 °C) pendant une heure.
- 4 Touchez à OFF (arrêt) et laissez le four se refroidir en gardant la porte fermée.



### Préchauffage

Durant le préchauffage, le four se chauffe aussi rapidement et uniformément que possible et il n'est pas à son meilleur pour la cuisson. Le préchauffage doit être utilisé pour tous les modes de cuisson, sauf grillage, apprêt, garder au chaud, déshydratation et certains modes gastronomiques. Une fois le préchauffage terminé, une sonnerie indique que le four a atteint la température de réglage.

### Établir la connexion de cet appareil

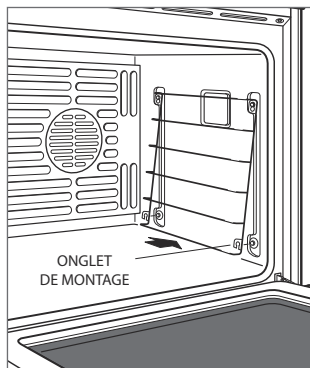
Reliez cet appareil pour le surveiller et le contrôler à distance. La connexion nécessite un routeur sans fil, une connexion Internet avec un nom de réseau et son mot de passe, ainsi qu'un dispositif mobile compatible. Il n'y a pas de limite au nombre d'appareils que vous pouvez relier à un compte. Il n'est pas obligatoire de relier les appareils.

- 1 Téléchargez l'appli gratuite Sub-Zero Group Owner depuis l'App Store d'Apple ou Google Play.
- 2 Après avoir activé la fonction Bluetooth sur votre dispositif, placez-vous à une distance d'environ un mètre de l'appareil, ouvrez l'appli et suivez les directives qui apparaissent à l'écran.
- 3 Ouvrez une session ou créez un compte.
- 4 Tapez sur Add An Appliance (ajouter un appareil) ou tapez sur + dans le coin L' supérieur droit de l'écran pour ajouter des appareils électroménagers. Pour identifier l'appareil à relier, ouvrez sa porte.
- 5 Tapez sur + à côté de l'appareil pour le sélectionner. Si des appareils identiques apparaissent, une étape supplémentaire identifie l'appareil à relier.
- 6 Tapez sur Pair Via Bluetooth (relier par Bluetooth). Attendez que la configuration soit terminée, puis tapez sur Set Up Your Appliance For Pairing (configurer votre appareil pour la connexion).
- 7 Tapez sur Choose a Network (choisir un réseau) sur l'écran Connect Your Appliance to Wi-Fi (relier votre appareil au Wi-Fi).
- 8 Sélectionnez le réseau Wi-Fi résidentiel et saisissez le mot de passe du réseau.
- 9 Tapez sur Turn on Notifications (activer les notifications) pour permettre l'envoi de notifications au sujet de l'appareil (par exemple, si la porte a été laissée entrouverte).
- 10 Tapez sur Done (terminé) sur l'écran Success (réussite) pour terminer la configuration.

### Guides de grille du four

Pour insérer les guides de grille dans le four :

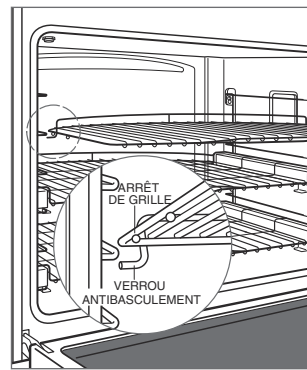
- 1 Repérez les vis de montage se trouvant sur les parois du four.
- 2 Placez les onglets de montage de guide de grille sur les vis supérieures.
- 3 Pivotez la grille vers l'intérieur et glissez-la vers le bas jusqu'à ce qu'elle soit entièrement insérée.



### Grilles standards

Pour insérer une grille standard dans le four :

- 1 Placez le verrou antibasculement de la grille sous les rails latéraux du guide de grille.
- 2 Glissez la grille vers l'arrière et soulevez-la pour contourner les arrêts de grille.
- 3 Continuez à glisser la grille vers l'arrière jusqu'à ce qu'elle soit complètement insérée à l'intérieur du four.

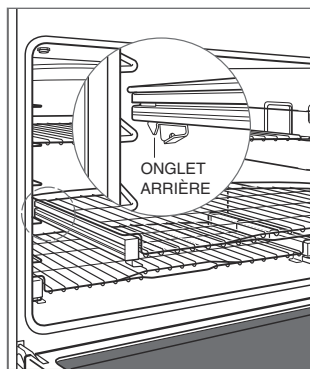


## Comment commencer

### Grilles à extension complète

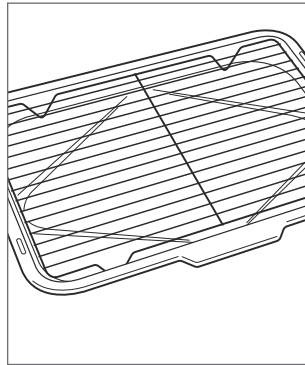
Pour insérer une grille à extension complète dans le four :

- 1 placez le verrou antibasculement de la grille sous les rails latéraux du guide de grille.
- 2 Glissez la grille vers l'arrière et soulevez-la pour contourner les arrêts de grille.
- 3 Continuez à glisser la grille vers l'arrière jusqu'à ce qu'elle soit complètement insérée à l'intérieur du four.



### Gril-lèchefrite

Pour le grillage, utilisez la lèchefrite à deux pièces comprise avec la cuisinière.



### Sonde de température

Utilisez uniquement la sonde de température expédiée avec cet appareil. La sonde de température mesure la température interne des aliments pendant la cuisson. La sonde peut être utilisée pour surveiller la température sans devoir régler une température voulue et elle peut être utilisée avec tous les modes de cuisson, sauf grillage, apprêt et déshydratation.

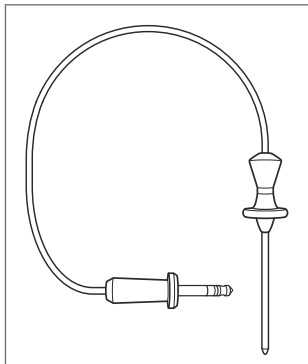
#### ⚠ MISE EN GARDE

**La sonde et la prise de la sonde seront très chaudes. Manipulez-les avec soin.**

#### ⚠ MISE EN GARDE

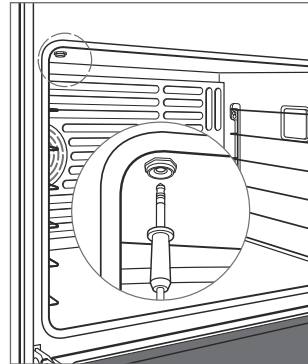
**Tirez directement vers le bas lorsque vous retirez la sonde de la prise. Le fait de plier ou tirer la sonde en angle durant le retrait peut l'endommager et endommager le four. Ne placez pas une grille ou un accessoire à la position six lorsque vous utilisez la sonde puisque cela nuit au retrait de la sonde.**

- 1 Préchauffez le four à la température de four voulue dans le mode choisi.
- 2 Insérez complètement la sonde dans la zone la plus épaisse de l'aliment.



- 3 Lorsque le préchauffage est terminé, mettez l'aliment dans le four.

- 4 Insérez le connecteur dans la prise de la sonde, puis fermez la porte.



- 5 Touchez à Probe (sonde) sur l'écran tactile.
- 6 Touchez à Start/Enter (mise en marche/entrée) sur le panneau de commande pour sélectionner la température pré réglée. Pour modifier la température, utilisez le panneau de commande pour sélectionner la température désirée, puis touchez à Start/Entrer (mise en marche/entrée).
- 7 Une sonnerie indique que la température est de 5 °F (1 °C) sous la température réglée. Le four retentit et la température réglée clignote lorsque la température interne a atteint le point de réglage.
- 8 Retirez, puis insérez la sonde à nouveau pour vérifier la température interne.
- 9 Touchez à la température qui clignote pour annuler.

### Gourmet (gastronomique)

La fonction GOURMET (gastronomique) fournit une variété de préparations de repas rapides et pratiques. Le mode gastronomique fournit aussi des recommandations pour la position idéale des grilles et des conseils pour vous permettre de cuisiner en toute confiance.

Choisissez parmi six catégories—viande, poisson, produits de pâtisserie, pizza, légumes et repas dans un plat. Chaque catégorie peut être affinée pour obtenir le mode de cuisson et la position des grilles les plus efficaces pour créer un chef d'œuvre culinaire.

- 1 Appuyez sur GOURMET (gastronomique).
- 2 Utilisez l'écran tactile pour sélectionner les paramètres voulus.

# Guide Gourmet (gastronomique)

Type	Aliments	Option
VIANDE	Bœuf*	steak, filet, rôti, côte de bœuf, pain de viande, rôti à feu doux
	Volaille*	poulet entier, morceaux frais, poitrine complète
	Porc*	côtes levées, filet, rôti, steak, côtelette, jambon entier
	Agneau*	gigot, rôti, carré
POISSON	Steak*	
	Filet	
	Pané	
PRODUITS DE PÂTISSERIE	Biscuits	
	Gâteau	en feuille, cannelé, aux anges, pound, petits gâteaux
	Tarte	croûte simple, croûte double
	Pain	pain éclair, pain à la levure, petits pains mollets à la levure, biscuits à la poudre levante
PIZZA	Fraîche	
	De blé	
	Calzone	
LÉGUMES	Rôtis	
	Patate douce*	
	Pomme de terre au four*	
REPAS DANS UN PLAT	Casserole*	
	Lasagne*	
	Quiche	

*\*Ne nécessite pas de préchauffage.*

## Modes de cuisson

MODE	PRÉ- RÉGLAGE	ÉTENDUE	SONDE	UTILISATIONS
BAKE (CUISSON)	350°F (175°C)	200-550 °F (95-290 °C)	*	Idéal pour la cuisson sur une seule grille, surtout pour les aliments de boulangerie. À utiliser pour les recettes standards.
CONVECTION	325°F (165°C)	200-550 °F (95-290 °C)	*	Il est possible de cuire sur plusieurs grilles avec brunissage uniforme dans ce mode grâce au mouvement uniforme de l'air.
ROAST (RÔTISSAGE)	350°F (175°C)	200-550 °F (95-290 °C)	*	Idéal pour le rôtissage de coupes moins tendres de viande, comme les rôtis de palette et la viande à ragoût, qui doivent être couvertes.
CONVECTION ROAST (RÔTISSAGE PAR CONVECTION)	325°F (165°C)	200-550 °F (95-290 °C)	*	Brunit légèrement l'extérieur et capte les jus à l'intérieur. Idéal pour rôtir des coupes tendres de bœuf, d'agneau, de porc et de volaille.
BROIL (GRILLAGE)	Élevé	550°F (290°C)	*	Convient au grillage des morceaux de viande, de poisson et de volaille jusqu'à 2,5 cm d'épaisseur. Utilisez la lèchefrite à deux pièces et grillez toujours en gardant la porte du four fermée. Ne nécessite pas de préchauffage.
	Moyenne	450°F (230°C)		
	Faible	350°F (175°C)		
PROOF (APPRÊT)	85°F (30°C)	85-110°F (30-45°C)		Idéal pour apprêter ou faire lever la pâte à pain.
WARM (GARDER AU CHAUD)	180°F (80°C)	140-200°F (60-95°C)	*	Conçu pour garder les aliments à la température de service.
GOURMET (GASTRONOMIQUE)			*	La fonction gastronomique fournit des préparations rapides et pratiques de repas avec des recommandations pour le mode de cuisson et la position de la grille. La température et l'étendue prédéfinies dépendent de l'aliment et du niveau de cuisson voulue.
STONE (PIERRE DE CUISSON)	450°F (230°C)	200-550 °F (95-290 °C)	*	Cuisson sur une pierre en céramique. Idéale pour les pizzas et le pain. La pierre de cuisson est requise.
DEHYDRATE (DÉSHYDRATATION)	135°F (60 °C)	110-170 °F (45-75 °C)		Sèche une variété de fruits, de légumes, d'herbes et de bandes de viande. Des grilles accessoires sont requises.

: La sonde de température peut être utilisée avec tous les modes de cuisson, sauf grillage, apprêt et déshydratation.

## Fonctionnement du four

### Verrouillage des commandes

La fonction de verrouillage des commandes empêche le fonctionnement non désiré du panneau de commande et de l'écran tactile. La fonction de verrouillage doit être réinitialisée après une panne de courant.

- 1 Touchez et tenez la touche Lock (verrouillage) pendant trois secondes pour verrouiller.
- 2 Enfoncez et tenez la touche Lock (verrouillage) pendant trois secondes pour déverrouiller.

### Lampe du four

La lumière du four s'allume automatiquement lorsque la porte est ouverte et s'éteint lorsqu'elle est fermée. Pour allumer la lumière lorsque la porte est fermée, touchez à LIGHT (lumière) sur l'écran tactile. Pour un four double, touchez à la lumière située du côté droit de l'écran tactile pour allumer celle du four inférieur.



## Horloge

L'horloge est visible sur l'écran tactile durant tous les modes de cuisson. Il est très important que l'horloge soit réglée à la bonne heure pour utiliser une fonction de cuisson minutée. L'horloge doit être réinitialisée après une panne de courant

L'horloge se règle automatiquement si l'unité est reliée au Wi-Fi. Reportez-vous à la section Établir la connexion de cet appareil pour de plus amples renseignements.

Réglage de l'horloge :

- 1 Touchez à Settings (paramètres), puis sélectionnez Time (heure).
- 2 Touchez au mode de 12 heures ou de 24 heures et utilisez le panneau de commande pour régler l'heure.
- 3 Sélectionnez AM ou PM, puis touchez à Start/Enter (mise en marche/entre). Une sonnerie indique que l'horloge a été réglée.

L'heure peut aussi être réglée en touchant à l'heure sur l'écran tactile.

## Minuterie

Chaque minuterie peut être réglée pour une période maximale de 99 heures et 59 minutes. Une fois la minuterie programmée, le décompte s'illumine sur l'écran tactile. La minuterie est indépendante du four. Le réglage de la minuterie n'affecte pas la durée de cuisson ou l'heure d'arrêt.

Réglage de la minuterie :

- 1 Touchez à TIMER 1 (minuterie 1) ou à TIMER 2 (minuterie 2).
- 2 Utilisez le panneau de commande pour régler la durée, puis touchez à Start/Enter (mise en marche/entrée). Une sonnerie indique que la minuterie a été réglée.
- 3 Pour annuler ou modifier, touchez au compte à rebours affiché sur l'écran tactile.
- 4 La minuterie retentira lorsqu'il ne restera qu'une minute. La minuterie retentit et clignote lorsque la durée est terminée.
- 5 Touchez à l'heure qui clignote pour annuler.

### Options supplémentaires

Touchez à SETTINGS (paramètres) pour accéder aux options supplémentaires. Utilisez la glissière pour atteindre l'option voulue et touchez-y pour la sélectionner. Si vous avez besoin de renseignements supplémentaires, touchez à Info.

#### OPTION

<b>Heure</b>	Sélectionner 12 heures ou 24 heures.
<b>Shabbath</b>	Activez ou désactivez la fonction Shabbath.
<b>Horloge</b>	Sélectionnez l'affichage numérique, analogue, vide ou le logo.
<b>Connexion</b>	Active ou désactive la connexion.*
<b>Veille</b>	Activez ou désactivez l'alimentation de veille.
<b>Langue</b>	Sélectionnez : anglais, espagnol, français, italien, allemand, hollandais ou chinois.
<b>Unités</b>	°F/impérial ou °C/métrique.
<b>Salle d'exposition</b>	Pour utilisation dans les salles d'exposition seulement.
<b>Info</b>	Accédez à des conseils utiles et des renseignements sur le produit.
<b>Au sujet</b>	Pour le service seulement.
<b>Décalage de température</b>	Pour le service seulement.
<b>Étalonnage</b>	Règle l'étalonnage de l'affichage.
<b>Son</b>	Sourdine, 1 à 5, et élevé, moyen, faible.
<b>Luminosité.</b>	Règle la luminosité de l'affichage : 0 à 100 %.

\*Pour vous connecter à l'appli Sub-Zero Group Owner, l'option connexion doit être activée.

### Cuisson minutée

La cuisson minutée éteint automatiquement le four à une heure précisée. Le four commencera à chauffer immédiatement et s'éteindra à l'heure d'arrêt désirée. Si un préchauffage est requis, la durée du préchauffage doit être prise en compte pour déterminer la durée de la cuisson. L'horloge doit être réglée à la bonne heure pour que cette option fonctionne correctement. Utilisez cette fonction avec tout mode de cuisson sauf grillage, gastronomique ou pierre de cuisson. Cette fonction ne permet pas l'utilisation de la sonde de température.

- 1 Touchez au mode de cuisson voulu et sélectionnez la température souhaitée.
- 2 Touchez à Timed Cook (cuisson minutée), puis sélectionnez la durée de la cuisson voulue.
- 3 Touchez à Start/Enter (mise en marche/entrée) pour lancer le mode.
- 4 Pour annuler, touchez à la durée/l'heure d'arrêt qui clignote sur l'écran tactile.
- 5 Le four s'éteint automatiquement lorsque la durée de cuisson est terminée.
- 6 Touchez à Off (arrêt) pour annuler.

## Mise en marche différée

La mise en marche différée met automatiquement le four en marche et l'éteint à des heures précisées. Le four demeure en attente jusqu'à l'heure de mise en marche désirée et s'éteint à l'heure d'arrêt désirée. Si un préchauffage est requis, la durée du préchauffage doit être prise en compte pour déterminer la durée de la cuisson. L'horloge doit être réglée à la bonne heure pour que cette option fonctionne correctement. Utilisez cette fonction avec tout mode de cuisson sauf grillage, gastronomique ou pierre de cuisson. La sonde de température ne peut pas être utilisée avec la fonction de mise en marche différée.

- 1 Touchez au mode de cuisson voulu et sélectionnez la température souhaitée.
- 2 Touchez à Timed Cook (cuisson minutée), puis sélectionnez la durée de la cuisson voulue.
- 3 Utilisez le panneau de commande pour sélectionner l'heure d'arrêt voulue, puis touchez à Start/Entrer (mise en marche/entrée).
- 4 Pour annuler, touchez à la durée/l'heure d'arrêt qui clignote sur l'écran tactile.
- 5 Le four s'éteint automatiquement lorsque la durée de cuisson est terminée.
- 6 Touchez à Off (arrêt) pour annuler.

## Nettoyage

### MISE EN GARDE

**Pendant le nettoyage, les surfaces extérieures peuvent devenir plus chaudes que d'habitude. Les enfants ne doivent pas s'approcher.**

Durant le nettoyage, le four est chauffé jusqu'à une température extrêmement élevée pour brûler les restes d'aliments. Les lumières du four sont désactivées. Le nettoyage prend environ quatre heures.

La porcelaine est fabriquée de produits naturels et, par conséquent, elle peut s'écailler et de petites ridules et fissures peuvent apparaître en raison de l'expansion et de la contraction qui se produisent lorsque la température du four varie (particulièrement lorsque la fonction auto-nettoyage est utilisée). Cela entraîne des imperfections cosmétiques, comme un aspect trouble, une apparence terne ou des égratignures. Les imperfections cosmétiques peuvent être plus visibles dans une cavité de four de couleur.

**REMARQUE IMPORTANTE:** Pour les fours doubles, l'autre four ne peut pas être utilisé durant le nettoyage du premier four.

- 1 Mettez la ventilation en marche. Il est normal de voir de la fumée et de sentir une odeur.
- 2 Touchez à Clean (nettoyage).
- 3 Touchez à Start/Enter (marche/entrée), puis ouvrez la porte du four.
- 4 Retirez les grilles du four et les guides de grille, puis touchez à OK.
- 5 La porte du four se verrouille et demeure verrouillée jusqu'à ce que le nettoyage soit terminé et la température du four se trouve en dessous de 550 °F (290 °C).
- 6 Touchez à Off (arrêt) pour annuler.

### NETTOYAGE DIFFÉRÉ

- 1 Mettez la ventilation en marche. Il est normal de voir de la fumée et de sentir une odeur.
- 2 Touchez à Clean (nettoyage).

### Nettoyage

- 3 Touchez à Delayed Clean (nettoyage différé) et utilisez le panneau de commande pour sélectionner l'heure de mise en marche voulue, puis touchez à Start/Entrer (mise enter (mise en marche/entrée).
- 4 Retirez les grilles du four et les guides de grille, puis touchez à OK.
- 5 La porte du four se verrouille et demeure verrouillée jusqu'à ce que le nettoyage soit terminé et la température du four se trouve en dessous de 550 °F (290 °C).
- 6 Touchez à Off (arrêt) pour annuler.

### Shabbath

Cet appareil est certifié par Star-K pour répondre à des règlements religieux rigoureux relativement à des directives précises se trouvant sur [www.star-k.org](http://www.star-k.org).

Les modes rôtissage, cuisson, apprêt et garder au chaud peuvent être utilisés en mode Shabbath.

Réglage des commandes :

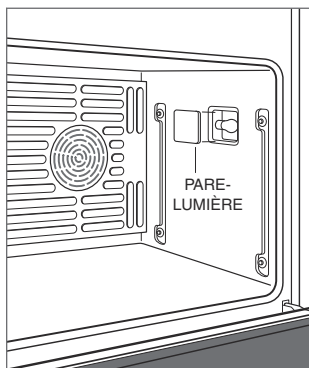
- 1 Allumez ou éteignez les lumières du four.
- 2 Touchez à SETTINGS (paramètres), puis sélectionnez Sabbath (Shabbath).
- 3 Touchez à On (marche), puis touchez à Start/Entrer (mise en marche/entrée).
- 4 Sélectionnez le mode de cuisson et la température, puis touchez à Start/Entrer (mise en marche/entrée).
- 5 Après un délai de dix secondes, l'unité passe au mode Shabbath.
- 6 Pour modifier la four température du four lorsqu'il est en mode Shabbath, utilisez le panneau de commande pour sélectionner la température désirée, puis touchez à Start/Entrer (mise en marche/entrée). La température change de manière aléatoire après avoir choisi une nouvelle température.
- 7 Touchez à Off (arrêt) pour arrêter le mode. L'icône Shabbath disparaît après un délai de 10 secondes.

### Ampoule du four

#### ⚠ AVERTISSEMENT

**Assurez-vous que le courant soit coupé au niveau du coffret électrique avant de remplacer l'ampoule.**

Laissez le four se refroidir complètement, puis retirez les grilles et les guides de grille. Pour retirer le pare-lumière, dégagez doucement le rebord inférieur avec un tournevis plat. Retirez l'ampoule existante et remplacez-la par une ampoule halogène de 40 watts. Ne touchez pas à la nouvelle ampoule avec vos doigts nus. Portez des gants en caoutchouc ou utilisez une serviette en papier pour tenir l'ampoule pour l'installer.



Pour remplacer l'ampoule située dans la partie supérieure de la cavité du four, communiquez avec le service certifié par l'usine de Wolf. Pour obtenir le nom du centre de service Wolf certifié par l'usine le plus près, consultez la section Support technique de notre site Web, [wolfappliance.com](http://wolfappliance.com), ou appelez le service à la clientèle de Wolf au 800- 222-7820.

## Guide de cuisson Wolf

Aliments	Grille(s)	Mode	Température du four	Durée	Position	Remarques
Pains	Biscuits	1	Rôtissage	400 °F (205 °C)	5-10 min	3
		2	Convection	425 °F (220 °C)	5-10 min	2, 5
		3	Convection	425 °F (220 °C)	5-10 min	1, 3, 5
	Brioches à la cannelle	1	Cuisson	350 °F (175 °C)	20-25 min	3
		2	Convection	325 °F (165 °C)	20-25 min	2, 5
		3	Convection	325 °F (165 °C)	20-25 min	1, 3, 5
	Muffins	1	Cuisson	400 °F (205 °C)	15-20 min	3
		2	Convection	375 °F (190 °C)	10-15 min	2, 5
		3	Convection	375 °F (190 °C)	10-15 min	1, 3, 5
	Petits pains à la levure	1	Convection	375 °F (190 °C)	10-20 min	3
		2	Convection	375 °F (190 °C)	10-20 min	2, 5
		3	Convection	375 °F (190 °C)	10-20 min	1, 3, 5
	Pain à la levure (moule à pain)	1	Cuisson	350 °F (175 °C)	20-45 min	3
	Pain à la levure (sans moule)	1	Pierre de cuisson	450 °F (230 °C)	15-45 min	1
	Pains éclair	1	Cuisson	350 °F (175 °C)	40-50 min	3
	Pain à l'ail	1	Grillage	Moyenne		5
	Rôtie	1	Grillage	Élevée		5
Gâteaux	Gâteau des anges	1	Cuisson	350 °F (175 °C)	35-45 min	1
		1	Cuisson	350 °F (175 °C)	40-50 min	3
		1	Cuisson	350 °F (175 °C)	20-30 min	3
		2	Convection	325 °F (165 °C)	20-30 min	2, 5
		3	Convection	325 °F (165 °C)	20-30 min	1, 3, 5
	Petits gâteaux	1	Cuisson	350 °F (175 °C)	20-25 min	3
		2	Convection	325 °F (165 °C)	15-25 min	2, 5
		3	Convection	325 °F (165 °C)	15-25 min	1, 3, 5
Biscuits	Biscuits ou barres	1	Cuisson	350 °F (175 °C)	10-25 min	3
		2	Convection	325 °F (165 °C)	10-25 min	2, 5
		3	Convection	325 °F (165 °C)	10-25 min	1, 3, 5
Tartes	Deux croûtes, remplies ou	1	Cuisson	350 °F (175 °C)	40-45 min	3

## Guide de cuisson Wolf

Aliments	Grille(s)	Mode	Température du four	Durée	Position	Remarques
garnies de streusel						
Meringue au citron	1	Grillage	325 °F (165 °C)	10-15 min	3	
Citrouille ou crème pâtissière	1	Cuisson	325 °F (165 °C)	<reportez-vous à la remarque>	3	Cuire pendant 15 min à 425 °F, réduire la température à 325 °F et cuire jusqu'à ce que la tarte soit prise, 45 à 60 minutes.
Croûte de tarte (vide)	1	Cuisson	425 °F (220 °C)	10-15 min	3	
Pâte feuilletée	1	Cuisson	400 °F (205 °C)	10-15 min	3	
	2	Convection	375 °F (190 °C)	10-15 min	2, 5	
	3	Convection	375 °F (190 °C)	10-15 min	1, 3, 5	
Choux à la crème	1	Convection	400 °F (205 °C)	20-30 min	3	

REMARQUE : Consommer de la viande, de la volaille, des fruits de mer, des mollusques et crustacés crus ou pas assez cuits peut augmenter votre risque de maladie d'origine alimentaire.

Aliments	Grille(s)	Mode	Température du four	Durée	Temp. de la sonde	Remarques
Boeuf						
Galettes de viande	5	Grillage	Élevée	10-15 min		Retournez après 7 minutes.
Steaks (moins de 2,5 cm d'épaisseur)	5	Grillage	Élevée	10-15 min		Retournez après 6 minutes.
Steaks (de 2,5 à 7,6 cm d'épaisseur)	5	Grillage	Élevée	10-20 min		Retournez après 8 minutes.
Rôti de fin de palette	3	Rôtissage par convection	325 °F (165 °C)	20-25 min/lb	Moyenne 150 °F (65 °C)	Placez dans un plat avec du liquide à moitié de la hauteur de la viande.
	3	Rôtissage	350 °F (175 °C)	20-25 min/lb	Moyenne 150 °F (65 °C)	
Rôtissage	2	Rôtissage	425 °F (220 °C)/ 325 °F (165 °C)	reportez-vous à la remarque	Saignant 135 °F (60 °C)	Rôtir pendant 30 minutes à 425 °F, réduisez la température à 325 °F et cuisez jusqu'à la température interne désirée.

## Guide de cuisson Wolf

Aliments	Grille(s)	Mode	Température du four	Durée	Temp. de la sonde	Remarques	
Rôtissage à feu doux	2	Cuisson	300 °F (150 °C)			Placez dans un plat couvert avec du liquide au quart de la hauteur de la viande.	
Côte de bœuf	2	Rôtissage	450 °F (230 °C)/ 225 °F (105 °C)	reportez-vous à la remarque	Saignant 130 °F (55 °C)	Aucun préchauffage requis. Rôtir pendant 30 minutes à 450 °F, réduisez la température à 225 °F et cuisez jusqu'à la température interne désirée.	
Filet	3	Rôtissage par convection	450 °F (230 °C)	10–20 min/lb	Saignant 130 °F (55 °C)		
Volaille	Poulet, non désossé	5	Rôtissage par convection	325 °F (165 °C)	20-25 min	Cuise 180 °F (80 °C)	
	Poulet, entier	2	Rôtissage par convection	325 °F (165 °C)	10–20 min/lb	Cuise 180 °F (80 °C)	
	Dinde, entière (saumurée)	1	Cuisson	350 °F (175 °C)	10–15 min/lb	Cuise 180 °F (80 °C)	
	Dinde, entière	1	Rôtissage par convection	325 °F (165 °C)	10–15 min/lb	Cuise 180 °F (80 °C)	
		1	Rôtissage	325 °F (165 °C)	10–15 min/lb	Cuise 180 °F (80 °C)	
	Canard	2	Rôtissage par convection	325 °F (165 °C)	15–20 min/lb	Cuise 180 °F (80 °C)	
	Oie	2	Rôtissage par convection	325 °F (165 °C)	15–20 min/lb	Cuise 180 °F (80 °C)	



## Guide de cuisson Wolf

Aliments	Grille(s)	Mode	Température du four	Durée	Temp. de la sonde	Remarques
Poule Cornish	3	Rôtissage par convection	325 °F (165 °C)	1 heure	Cuisse 180 °F (80 °C)	
	3	Rôtissage	350 °F (175 °C)	1 heure	Cuisse 180 °F (80 °C)	
Quarts, cuisses de poulet	5	Grillage	Moyenne	20-25 min		Retournez à mi-chemin pendant le grillage.
	3	Rôtissage	350 °F (175 °C)	30-40 min	Cuisse 180 °F (80 °C)	
	3	Rôtissage par convection	325 °F (165 °C)	30-40 min	Cuisse 180 °F (80 °C)	
	3	Cuisson	350 °F (175 °C)	30-40 min	Cuisse 180 °F (80 °C)	
Morceaux de dinde	3	Rôtissage par convection	325 °F (165 °C)	30-40 min	Cuisse 180 °F (80 °C)	
	3	Rôtissage	350 °F (175 °C)	30-40 min	Cuisse 180 °F (80 °C)	
Poitrine de poulet désossée	5	Grillage	Moyenne	10-15 min		Retournez à mi-chemin pendant le grillage.
(aplatie à 1,3 cm d'épaisseur)	3	Rôtissage par convection	350 °F (175 °C)	15-20 min	Poitrine 165 °F (75 °C)	
Poitrine de dinde, entière	2	Rôtissage par convection	325 °F (165 °C)	15-20 min	Poitrine 165 °F (75 °C)	
	2	Rôtissage	350 °F (175 °C)	15-20 min	Poitrine 165 °F (75 °C)	
Porc	5	Grillage	Élevée	5-10 min		Retournez à mi-chemin pendant le grillage.

## Guide de cuisson Wolf

Aliments	Grille(s)	Mode	Température du four	Durée	Temp. de la sonde	Remarques
	3	Rôtissage par convection	350 °F (175 °C)	10-15 min		
Rôtissage à feu doux	2	Cuisson	300 °F (150 °C)			Placez dans un plat couvert avec du liquide au quart de la hauteur de la viande.
Côtes levées	3	Cuisson	300 °F (150 °C)			Placez dans du papier d'aluminium ou un plat couvert avec du liquide au quart de la hauteur de la viande.
Filet	3	Rôtissage par convection	400 °F (205 °C)	15-20 min/lb	Saignant 130 °F (55 °C)	
Steak de jambon (1,3 cm d'épaisseur)	5	Grillage	Élevée	5-10 min		Retournez à mi-chemin pendant le grillage.
Steak de jambon (2,5 cm d'épaisseur)	5	Grillage	Élevée	10-15 min		Retournez à mi-chemin pendant le grillage.
Jambon, entier	2	Cuisson	335 °F (170 °C)	10-15 min/lb	160 °F (70 °C)	Couvrez et laissez reposer pendant 15 minutes.
Agneau						
Côtelettes, steaks (1,9 cm d'épaisseur)	5	Grillage	Élevée	5-10 min		Retournez à mi-chemin pendant le grillage.
Cuisse	2	Rôtissage par convection	425 °F (220 °C)/ 325 °F (165 °C)	reportez-vous à la remarque	145 °F (65 °C)	Rôtir pendant 30 minutes à 425 °F, réduisez la température à 325 °F et cuisez jusqu'à la température interne désirée.
Rôti de veau	2	Rôtissage par convection	300 °F (150 °C)	30-35 min/lb	140 °F (60 °C)	
Couronne	2	Rôtissage par	325 °F (165 °C)	15-20 min/lb	145 °F (65 °C)	

## Guide de cuisson Wolf

Aliments	Grille(s)	Mode	Température du four	Durée	Temp. de la sonde	Remarques
		convection				
Pizza	Calzones	1	Pierre de cuisson 375 °F (190 °C)	10-15 min		
	Faite à la maison	1	Pierre de cuisson 450 °F (230 °C)	5-15 min		
	Pizza à pain français	5	Grillage Moyenne	10-15 min		
Poisson	Filet (moins de 2,5 cm d'épaisseur)	5	Grillage Moyenne	10-20 min		
	Filet (plus de 2,5 cm d'épaisseur)	5	Rôtissage par convection 375 °F (190 °C)	15-25 min		
Légumes	Pommes de terre, patates sucrées	3	Cuisson 350 °F (175 °C)	45-60 min		
	Légumes mélangés	4	Rôtissage par convection 400 °F (205 °C)	10-20 min		
Autre	Pain de viande	2	Rôtissage 425 °F (220 °C)/ 325 °F (165 °C)	reportez-vous à la remarque	165 °F (75 °C)	Rôtir pendant 20 minutes à 425 °F, réduisez la température à 325 °F et cuisez jusqu'à la température interne désirée.
	Saucisse, saucisse Bratwurst (fraîches)	5	Grillage Moyenne	10-15 min		Retournez à mi-chemin pendant le grillage.
	Nachos	3	Grillage Faible	15-20 min		
	Quiche	3	Cuisson 350 °F (175 °C)	40-50 min		
	Repas dans un plat	3	Cuisson 350 °F (175 °C)	45-60 min	175 °F (80 °C)	

REMARQUE : Consommer de la viande, de la volaille, des fruits de mer, des mollusques et crustacés crus ou pas assez cuits peut augmenter votre risque de maladie d'origine alimentaire.

## Conseils d'entretien

### Conseils d'entretien

Utilisez ces renseignements comme recommandations de nettoyage simple.

#### ACIER INOXYDABLE

- 1 Utilisez un nettoyant non abrasif pour l'acier inoxydable et appliquez-le avec un chiffon doux non pelucheux.
- 2 Essuyez légèrement la surface avec un chiffon en microfibras humecté d'eau suivi d'un chamois à polir sec.
- 3 Suivez toujours le grain de l'acier inoxydable.

#### GRILLES ET GUIDES DE GRILLE DU FOUR

- 1 Enlevez-les et déposez-les sur une surface plate près de l'évier.
- 2 Nettoyez avec de l'eau chaude et un détergent doux ou une pâte de bicarbonate de soude et d'eau.
- 3 N'immergez pas dans l'eau.
- 4 Séchez avec une serviette.

#### PANNEAU DE COMMANDE ET ÉCRAN TACTILE

- 1 Touchez et tenez la fonction Lock (verrouillage) pendant trois secondes pour verrouiller le panneau de commande et l'écran tactile.

: Ne pulvérisez pas les produits à nettoyer directement sur le panneau de commande ou l'écran tactile.

- 2 Utilisez un dégraissant pulvérisé pour éliminer les empreintes de doigts et les taches de nourriture. Pulvérisez sur un chiffon avant d'essuyer les commandes.

#### INTÉRIEUR DU FOUR

**REMARQUE IMPORTANTE:** Essuyez tous les renversements d'aliment (particulièrement les sauces sucrées, acides et à base de tomates) lorsqu'il est possible de toucher à l'intérieur du four sans danger. Certaines imperfections sont permanentes, mais n'affectent pas le fonctionnement de la porcelaine.

- 1 Avant d'utiliser la fonction nettoyage, utilisez une lame de rasoir pour soulever doucement les aliments cuits sur la cavité et la fenêtre du four.
- 2 Pour les taches rebelles, pulvérisez un nettoyant abrasif doux ou un dégraissant en aérosol et frottez avec un tampon Scotch-Brite™ sans égratignure (rose ou bleu).
- 3 Lavez la cavité du four au complet avec du savon et de l'eau pour éliminer les produits chimiques de nettoyage avant d'utiliser le mode nettoyage. Si le résidu n'est pas nettoyé de la cavité, la porcelaine risque d'être gravée.
- 4 Une fois le cycle de nettoyage terminé, laissez le four se refroidir complètement et essuyez les cendres avec un chiffon humide.

#### GRIL-LÈCHEFRITE

**REMARQUE IMPORTANTE:** Ne placez pas la gril-lêchefrite dans le lave-vaisselle.

- 1 Éliminez la graisse et lavez dans de l'eau chaude avec un détergent doux.
- 2 Rincez et séchez.

#### PLATEAU ET GRILLE DE LA LÈCHEFRITE

**REMARQUE IMPORTANTE:** Le plateau peut être lavé au lave-vaisselle.

- 1 Pour laver à la main, utilisez un détergent doux et tampon à récurer.
- 2 Rincez et séchez.


## Dépannage

Avant de communiquer avec le service certifié par l'usine, consultez le site [subzero-wolf.com/assistance](http://subzero-wolf.com/assistance) ou utilisez ces conseils utiles pour éviter d'avoir à demander une visite de service.

### LE FOUR NE FONCTIONNE PAS

- 1 Assurez-vous que l'unité est sous tension. Le four s'éteindra automatiquement après 12 heures d'utilisation continue, sauf en mode déshydratation ou Shabbath.
- 2 Vérifiez l'alimentation électrique vers le four et que le disjoncteur de la résidence est en marche.
- 3 Éteignez l'unité au niveau du disjoncteur ou de la source d'alimentation électrique pendant 30 secondes, puis rétablissez l'alimentation vers l'appareil.
- 4 Entrez une commande au moyen du panneau de commande pour voir si l'appareil réagit. Pour le fonctionnement du four inférieur, appuyez d'abord sur LOWER OVEN (four inférieur).

### AUCUNE RÉACTION DU PANNEAU DE COMMANDE ET DE L'ÉCRAN TACTILE

- 1 La propreté, la température ou la zone utilisée par vos doigts peuvent affecter la réaction des commandes.
  - Vérifiez que vos mains sont propres avant d'utiliser les commandes.
  - Réchauffez les mains froides avant d'appuyer sur le panneau de commande.
  - Utilisez le coussinet ou la pointe de votre doigt, pas un ongle, pour appuyer sur les touches ou les boutons.
- 2 L'unité est en mode Shabbath (  apparaît sur l'écran tactile).
- 3 Vérifiez que l'unité n'est pas verrouillée. Enfoncez et tenez la touche LOCK (verrouillage) pendant trois secondes pour déverrouiller.

- 4 Mettez le disjoncteur de la résidence de l'unité à arrêt pendant 30 secondes, puis remettez-le en marche. Vérifiez le fonctionnement de l'unité à nouveau.

### PROBLÈME DE TEMPÉRATURE DU FOUR

- 1 Laissez le four se préchauffer complètement.
  - Le préchauffage du four dans chaque mode, autre que grillage, est critique à la performance optimale de la cuisson.
  - Des résultats différents sont à prévoir si les températures de préchauffage ne sont pas atteintes avant de placer les aliments dans le four.
- 2 Si disponible, utilisez la sonde de température pour obtenir des résultats de cuisson plus uniformes.
- 3 Si l'un des éléments suivants se produit, une visite de service est requise pour obtenir un diagnostic expert et réparer le produit.
  - Le four ne devient pas assez chaud, bien qu'il soit réglé à la bonne température.
  - Le four indique que le préchauffage est terminé, mais le four n'est pas encore chaud.
  - Les aliments ne sont pas cuits ou prennent beaucoup plus de temps à cuire comparativement à la durée indiquée dans la recette ou aux expériences antérieures.
  - L'aliment n'est pas cuit uniformément après avoir respecté les directives du fabricant et de la recette.
  - L'augmentation de la température n'améliore pas la durée de cuisson ou la performance du four.
- 4 Communiquez avec le service à la clientèle de Wolf au 800-222-7820.

## Dépannage

### **LES MOTS « PROBE SHORTED » (COURT-CIRCUIT DE SONDE) APPARAISSENT SUR L'ÉCRAN TACTILE**

Touchez à Off (arrêt). Assurez-vous que le connecteur de sonde est entièrement enfoncé dans la prise. Réinitialisez la température du four et la température de la sonde.

### **UN MESSAGE D'ERREUR APPARAÎT DURANT LE CYCLE DE NETTOYAGE**

Pour les fours doubles, si un four se trouve dans un cycle de nettoyage actif, l'autre four ne peut pas être utilisé.

### **LE FOUR ÉMET DES BRUITS PENDANT LE PRÉCHAUFFAGE OU LE REFROIDISSEMENT**

Ce genre de bruit est normal avec l'expansion et la contraction de toute nouvelle cavité.

- 1 Lancez un cycle d'auto-nettoyage pour réduire les bruits émis.
- 2 Les fours pourront devoir être utilisés plusieurs fois avant que les bruits d'expansion se dissipent. Si le problème persiste, communiquez avec le service à la clientèle de Wolf au 800-222-7820.

## Service

- Préservez la qualité intégrée dans votre produit en communiquant avec Wolf Appliance le service certifié par l'usine. Pour obtenir le nom du service certifié par l'usine le plus proche, Wolf Appliance consultez la section Contact et assistance de notre site Web, [coveappliance.com](http://coveappliance.com) ou appelez le Wolf Appliance service à la clientèle au 800-222-7820.
- Avant d'appeler, ayez en main les numéros de modèle et de série du produit. Les deux numéros sont indiqués sur la plaque signalétique du produit. Reportez-vous à l'emplacement de la plaque signalétique indiqué à la première page de ce guide.
- Pour les besoins de la garantie, vous devrez aussi avoir la date d'installation et le nom de votre dépositaire Cove autorisé. Notez ces renseignements sur la première page de ce guide.

# POUR UTILISATION RÉSIDENTIELLE

### GARANTIE COMPLÈTE DE DEUX ANS\*

Pendant deux ans à compter de la date d'installation originale, cette garantie de produit Wolf Appliance couvre toutes les pièces et la main d'œuvre pour réparer ou remplacer, selon un usage résidentiel normal, toute partie du produit qui s'avérerait défectueuse en vertu des matériaux ou de la fabrication. Tout service fourni par Wolf Appliance en vertu de la garantie ci-dessus doit être effectué par un centre de service Wolf certifié par l'usine, à moins d'indication contraire de la part de Wolf Appliance, Inc. Le service sera fourni pendant les heures normales d'affaires.

### GARANTIE LIMITÉE DE CINQ ANS

Pendant cinq ans à compter de la date originale d'installation, Wolf Appliance réparera les pièces suivantes qui s'avèreront défectueuses en vertu des matériaux ou de la fabrication : les brûleurs au gaz (sauf l'apparence), les éléments de chauffage électrique, les moteurs de soufflerie (hottes de ventilation), les circuits de contrôle électronique, les tubes magnétrons et les génératrices à induction. Si le propriétaire utilise le service Wolf certifié par l'usine, le fournisseur de service réparera ou remplacera ces pièces et le propriétaire paiera pour tous les autres frais, y compris la main d'œuvre. Si le propriétaire utilise un service non certifié, il doit communiquer avec Wolf Appliance, Inc. (avec les renseignements ci-dessous) pour obtenir des pièces réparées ou de rechange. Wolf Appliance ne remboursera pas le propriétaire pour les pièces achetées d'un service non certifié ou d'autres sources.

### CONDITIONS S'APPLIQUANT À CHAQUE GARANTIE

La garantie s'applique uniquement aux produits installés pour un usage résidentiel normal. La garantie s'applique seulement aux produits installés dans l'un des cinquante états des États-Unis, dans le District of Columbia ou les dix provinces du Canada. Cette garantie ne couvre pas les pièces ou la main d'œuvre pour corriger tout défaut causé par de la négligence, un accident ou une utilisation, un entretien, une installation, un service ou une réparation inappropriés.

LES REMÈDES DÉCRITS CI-DESSUS POUR CHAQUE GARANTIE SONT LES SEULS QUI SONT OFFERTS PAR WOLF APPLIANCE, INC. EN VERTU DE CETTE GARANTIE OU EN VERTU DE TOUTE GARANTIE DÉCOULANT DE L'OPÉRATION DE LA LOI. WOLF APPLIANCE, INC. NE SERA PAS RESPONSABLE DES DOMMAGES INDIRECTS OU CONSÉCUTIFS DÉCOULANT DE LA VIOLATION À CETTE GARANTIE OU À TOUTE GARANTIE, EXPRESSE, IMPLICITE OU LÉGALE.

Certaines provinces ne permettent pas l'exclusion ou la restriction des dommages indirects ou consécutifs, par conséquent, la limite ou l'exclusion ci-dessus peut ne pas s'appliquer à votre cas. Cette garantie vous confère des droits légaux précis et vous pouvez aussi avoir d'autres droits légaux qui peuvent varier d'une province à l'autre.

Pour obtenir des pièces et/ou du service et le nom du centre de service Wolf certifié par l'usine le plus près de chez vous, communiquez avec Wolf Appliance, Inc. P.O. Box 44848, Madison, WI 53744 É.-U.; consultez la section Support technique de notre site Web, [wolfappliance.com](http://wolfappliance.com), envoyez-nous un courriel à [customerservice@subzero.com](mailto:customerservice@subzero.com) ou composez le 800-222-7820.

\*L'acier inoxydable (les portes, les panneaux, les poignées, les cadres et les surfaces intérieures) est couvert par une garantie limitée de 60 jours sur les pièces et la main d'œuvre pour toute défectuosité cosmétique.





WOLF APPLIANCE, INC. P.O. BOX 44848 MADISON, WI 53744 WOLFAPPLIANCE.COM 800.222.7820

9045564 REV-A

01/2021

