

GRILL MODULE

USE AND CARE GUIDE

CLEANING, MAINTENANCE, AND MORE



Contents

- 4 Safety Precautions
- 5 Grill Module Features
- 6 Grill Module Operation
- 12 Care Recommendations
- 13 Troubleshooting
- 15 Wolf Warranty

Customer Care

The model and serial number are printed on the enclosed product registration card. Both numbers are also listed on the product rating plate. Refer to page 5 for rating plate location. For warranty purposes, you will also need the date of installation and name of your authorized Wolf dealer. Record this information below for future reference.

SERVICE INFORMATION

Model Number	_____
Serial Number	_____
Date of Installation	_____
Certified Service Name	_____
Certified Service Number	_____
Authorized Dealer	_____
Dealer Number	_____

If your product ever needs attention, be sure to use a Wolf Factory Certified Service provider recommended by our customer care center, or select one from our list of providers available at wolfappliance.com/locator. All Factory Certified Service providers are carefully selected and thoroughly trained by us.

Important Note

To ensure this product is installed and operated as safely and efficiently as possible, take note of the following types of highlighted information throughout this guide:

IMPORTANT NOTE highlights information that is especially important.

CAUTION indicates a situation where minor injury or product damage may occur if instructions are not followed.

WARNING states a hazard that may cause serious injury or death if precautions are not followed.

IMPORTANT NOTE: Throughout this guide, dimensions in parentheses are millimeters unless otherwise specified.

IMPORTANT INSTRUCTIONS

IMPORTANT NOTE: Read all safety instructions before using this appliance.

- Read this guide carefully before using this appliance to reduce risk of fire, electric shock or injury.
- This appliance must be properly installed and serviced by a qualified installer, service agency or gas supplier and grounded by a qualified technician.

▲ WARNING

PROPOSITION 65 FOR CALIFORNIA RESIDENTS

Cancer and Reproductive Harm—
www.P65Warnings.ca.gov

GENERAL SAFETY PRECAUTIONS

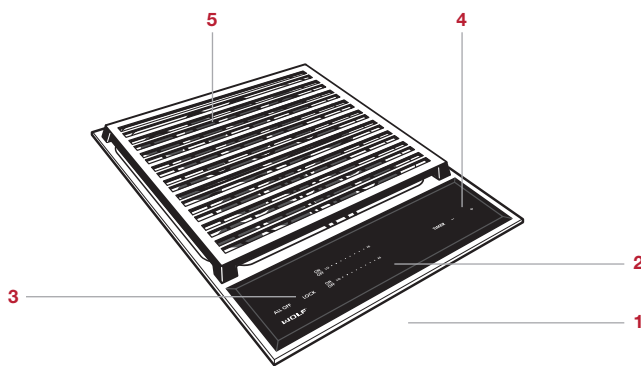
- Always use dry pot holders. Wet or damp pot holders can cause steam burns. Do not use a towel or bulky cloth in place of pot holders.
- Do not leave children alone or unattended in the area where this appliance is in use. Never allow children to sit or stand on the appliance.
- Never leave this appliance unattended when in use. Boilovers and greasy spills may smoke or ignite.
- Do not use water on grease fires. Smother the flame or use a dry chemical or foam-type extinguisher.
- Do not repair or replace any part of this appliance unless specifically recommended in literature accompanying this appliance.
- Do not store or use gasoline or other flammable vapors and liquids in the vicinity of this or any other appliance.
- Do not heat unopened food containers, such as baby food jars and cans. Pressure build-up may cause the container to burst and cause injury.

SAVE THESE INSTRUCTIONS

Grill Module Features

FEATURES

1	Product Rating Plate (bottom of module)
2	Control Panel
3	Control Panel Lock
4	Timer Display
5	Grilling Grate
6	Dual Heating Elements
7	Ceramic Briquette Rack
8	Removable Grease Collection Pan

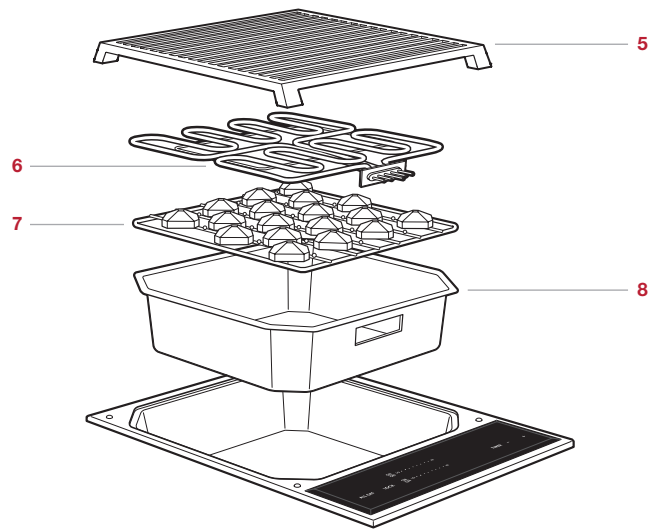


Grill module

GRILL MODULE ASSEMBLY

For proper operation, the grill module must be assembled in the correct alignment. Refer to the illustration below.

Insert the grease collection pan into the grill module with the hole for the receptacle facing front. Place the briquette rack into the grease collection pan. Plug the heating elements into the receptacle at the front of the module. Position the grilling grate with feet seated into corner dimples.



Grill module assembly

Getting Started

Before you start cooking, please take some time to read this use & care guide. It will be to your benefit to familiarize yourself with the safety practices, features, operation and care recommendations of your Wolf grill module.

To ensure all residual oil from the manufacturing process has been removed, heat the grill module on HI for approximately 10 minutes. A small amount of smoke and odor is normal. Clean the grill module thoroughly with hot water and a mild detergent prior to use. Rinse and dry with a soft cloth. Refer to care recommendations on page 12.



Sabbath

This appliance is certified by Star-K to meet strict religious regulations in conjunction with specific instructions found on www.star-k.org.





Grill Operation

CONTROL PANEL


The control panel features illuminated touch controls. A power level indicator for front and rear heating elements displays the heat setting from LO to HI. Refer to the illustration below.

Indicators on the control panel will illuminate to indicate specific module operation. Refer to the chart below.

CONTROL PANEL INDICATOR

	Control Panel Locked
	Element(s) On
	Hot Surface
	Timer Set

CONTROL PANEL LOCK

The control panel lock feature prevents unwanted module operation. Touch and hold LOCK for three seconds to lock and unlock the control panel.  will illuminate when the control panel is locked.

The control panel will automatically lock after 10 minutes of inactivity. This automatic lock feature can be disabled through the extended options menu. Refer to page 10.

When the module is powered up for the first time and after a power outage, the module will default to lock mode.



Control panel

Grill Operation

POWER LEVEL

When the heating element is activated, the power level indicator will illuminate indicating the level of heat. The lowest heat is represented by the small flame, varying levels of heat by additional indicators (dots), and the highest heat by all indicators including the large flame. Refer to the chart below.

SETTING	POWER LEVEL	USES
Low	1–6 indicators	Holding food to keep warm.
Medium	6–7 indicators	Grilling breads.
Medium High	7-8 indicators	Grilling fresh sausage and marinated pork.
High	8–10 (large flame) indicators	Searing and grilling meats, grilling vegetables.

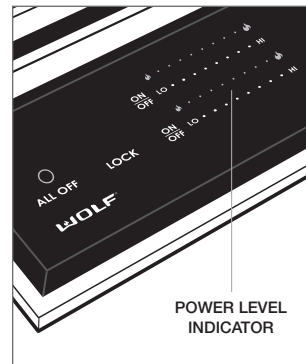
POWER LEVEL INDICATOR

Setting controls:

- 1 To activate a heating element, touch ON/OFF for the desired element (front and/or rear) on the control panel. The power level indicator will flash and all indicators for that element will flash. Refer to the illustration below.
- 2 To complete the activation, touch HI for highest heat, LO for lowest heat, or touch the desired preset power level indicator.
- 3 To change the heat setting while the element is on, touch or slide to the desired preset power level.
- 4 To turn the element off, touch ON/OFF.

PREHEAT


Preheat the grill module for approximately 10 minutes before adding food. Food is cooked directly on the grilling grate.



Power level indicator

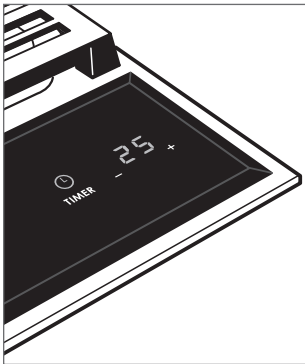
Grill Operation

TIMER

The timer can be set in one-minute increments up to 99 minutes. Once a time is set,  will illuminate on the control panel and the countdown is visible on the timer display. Refer to the illustration below. The timer is independent from module operation.


Setting timer:

- 1 Touch TIMER.
- 2 Touch and hold + or – until the desired time is shown on the timer display. Timer will begin the countdown in minutes.
- 3 Timer will chime with one minute left and complete the countdown in seconds.
- 4 When complete, timer will chime and continue to chime until TIMER is touched.




Timer control

HOT SURFACE INDICATOR

 will illuminate on the control panel and will remain on until the unit has cooled. It may remain illuminated even when the grill module is off.

ALL OFF

When one or both heating elements are on,  will illuminate on the control panel. To turn off both elements at the same time, touch ALL OFF.

Grill Operation

EXTENDED OPTIONS

The extended options feature allows the user to set preferences for volume, tone, control panel lock and Sabbath feature.

Setting extended options:

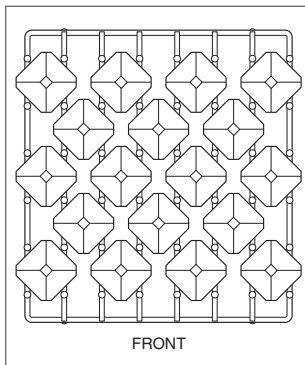
- 1 To unlock the control panel, touch and hold LOCK for 3 seconds.
- 2 To enter extended options mode, touch and hold ALL OFF for 5 seconds.
- 3 Power level 1 on the rear element control will be displayed and 'VO' will appear on the timer display.
Touch LO or HI on the front element control to adjust volume.
- 4 Touch + on the timer control to adjust tone. Power level 2 on the rear element control will be displayed and 'Fr' will appear on the timer display.
Touch LO or HI on the front element control to adjust tone.
- 5 Touch + on the timer control to adjust the automatic control panel lock. Power level 3 on the rear element control will be displayed and 'Lo' will appear on the timer display.
Touch LO or HI on the front element control to turn the automatic lock feature off or on.
- 6 Touch + on the timer control to enter Sabbath mode. Power level 4 on the rear element control will be displayed. Touch HI on the front element control to initiate Sabbath feature. 'SA' will appear on the timer display.
Touch LO on the front element control to activate or deactivate the feature.
- 7 Touch ALL OFF to confirm settings.

Grill Operation

BRIQUETTE RACK

The ceramic briquettes and briquette rack are dishwasher safe. The briquettes should be separated from the rack if placed in a dishwasher. For proper arrangement of the briquettes, refer to the illustration below.

Do not operate the grill module without the briquettes and rack installed.



Briquette rack

Care Recommendations

CLEANING

Stainless steel	Use a nonabrasive stainless steel cleaner and apply with a soft lint-free cloth. To bring out the natural luster, lightly wipe surface with a water-dampened microfiber cloth followed by a dry polishing chamois. Always follow the grain of stainless steel.
Control panel	Use a spray degreaser to remove fingerprints and food soil. Spray on a cloth before wiping panel. IMPORTANT NOTE: Do not spray cleaners directly on the control panel.
Grilling grate	After grilling, operate grill on HI for five minutes to burn off excess grease. Remove all burned-on food particles. Clean with a nonabrasive cleaner such as liquid detergent and hot water, or a paste of baking soda and water. Do not immerse in water. Spray degreasers and mild abrasive cleaners may be used.
Heating element	Do not immerse in water. If food particles are burned-on, wipe clean by hand using a damp cloth.
Ceramic briquettes	Place briquettes in dishwasher or wash using a mild detergent and soft cloth. Allow to cool before placing them back on the rack. Refer to page 11 for proper arrangement.
Briquette rack	Place rack in dishwasher or wash using a mild detergent and soft cloth.
Grease collection pan	Before cleaning, remove all excess grease and burned-on food particles. Wash in hot water with mild detergent. Rinse and dry.

Troubleshooting

OPERATION

Grill module does not operate.

- Verify power is on.
- Verify electrical power to module and home circuit breaker is on.
- Module is in lock mode. Touch and hold LOCK for three seconds to unlock control panel.

Module temperature issue.

- Contact Wolf customer care at 800-222-7820 for recommendations.

Troubleshooting

SERVICE

- Maintain the quality built into your product by contacting Wolf Factory Certified Service. For the name of the nearest Wolf Factory Certified Service, check the contact & support section of our website, wolfappliance.com or call Wolf customer care at 800-222-7820.
- When contacting service, you will need the model and serial number of your product. Both numbers are listed on the product rating plate. Refer to page 5 for rating plate location.
- For warranty purposes, you will also need the date of installation and name of your authorized Wolf dealer. This information should be recorded on page 3 of this guide.

Wolf Appliance Residential Limited Warranty

FOR RESIDENTIAL USE

FULL TWO YEAR WARRANTY*

For two years from the date of original installation, this Wolf Appliance product warranty covers all parts and labor to repair or replace, under normal residential use, any part of the product that proves to be defective in materials or workmanship. All service provided by Wolf Appliance under the above warranty must be performed by Wolf factory certified service, unless otherwise specified by Wolf Appliance, Inc. Service will be provided during normal business hours.

LIMITED FIVE YEAR WARRANTY

For five years from the date of original installation, Wolf Appliance will repair or replace the following parts that prove to be defective in materials or workmanship: gas burners (excludes appearance), electric heating elements, blower motors (ventilation hoods), electronic control boards, magnetron tubes and induction generators. If the owner uses Wolf factory certified service, the service provider will repair or replace these parts with the owner paying for all other costs, including labor. If the owner uses non-certified service, the owner must contact Wolf Appliance, Inc. (using the information below) to receive repaired or replacement parts. Wolf Appliance will not reimburse the owner for parts purchased from non-certified service or other sources.

TERMS APPLICABLE TO EACH WARRANTY

The warranty applies only to products installed for normal residential use. The warranty applies only to products installed in any one of the fifty states of the United States, the District of Columbia or the ten provinces of Canada. This warranty does not cover any parts or labor to correct any defect caused by negligence, accident or improper use, maintenance, installation, service or repair.

THE REMEDIES DESCRIBED ABOVE FOR EACH WARRANTY ARE THE ONLY ONES THAT WOLF APPLIANCE, INC. WILL PROVIDE, EITHER UNDER THIS WARRANTY OR UNDER ANY WARRANTY ARISING BY OPERATION OF LAW. WOLF APPLIANCE, INC. WILL NOT BE RESPONSIBLE FOR ANY CONSEQUENTIAL OR INCIDENTAL DAMAGES ARISING FROM THE BREACH OF THIS WARRANTY OR ANY OTHER WARRANTY, WHETHER EXPRESS, IMPLIED OR STATUTORY.

Some states do not allow the exclusion or limitation of incidental or consequential damages, so the above limitation or exclusion may not apply to you. This warranty gives you specific legal rights and you may also have other legal rights that vary from state to state.

To receive parts and/or service and the name of Wolf factory certified service nearest you, contact Wolf Appliance, Inc., P.O. Box 44848, Madison, WI 53744; check the contact & support section of our website, wolfappliance.com, email us at customerservice@subzero.com or call 800-222-7820.

*Stainless steel (doors, panels, handles, product frames and interior surfaces) are covered by a limited 60-day parts and labor warranty for cosmetic defects.

*Replacement filters for ventilation hood recirculating kits are not covered by the product warranty.



Contenido

- 4 Precauciones de seguridad
- 5 Características del módulo de la parrilla
- 6 Funcionamiento del módulo de la parrilla
- 12 Recomendaciones sobre el cuidado
- 13 Resolución de problemas
- 15 Garantía de Wolf

Atención al cliente

El modelo y número de serie están impresos en la tarjeta de registro del producto adjunta. Los dos números también aparecen en la placa de datos del producto. Consulte la página 5 para encontrar la placa de datos. Para fines de la garantía, usted también necesitará la fecha de instalación y el nombre de su distribuidor autorizado de Wolf. Anote esta información abajo para referencia futura.

INFORMACIÓN PARA SERVICIO

Número de modelo

Número de serie

Fecha de instalación

Nombre de servicio certificado

Número de servicio certificado

Distribuidor autorizado

Número de distribuidor

Si su producto alguna vez necesita servicio, use un proveedor de servicios certificado por Wolf y recomendado por nuestro centro de atención al cliente, o seleccione uno de nuestra lista de proveedores en wolfappliance.com/locator. Todos los proveedores de los centros de servicio autorizados han sido cuidadosamente seleccionados y entrenados a fondo por nosotros.

Aviso importante

Para garantizar que este producto se instale y opere de la forma más segura y eficiente posible, tome nota de los siguientes tipos de información resaltada en este manual:

AVISO IMPORTANTE señala la información que es especialmente importante.

PRECAUCIÓN indica una situación en la que se pueden sufrir heridas leves o provocar daños al producto si no se siguen las instrucciones.

ADVERTENCIA indica peligro de que se produzcan heridas graves o incluso la muerte si no se siguen las precauciones.

AVISO IMPORTANTE: En toda esta guía, las dimensiones entre paréntesis son milímetros, a menos que se especifique lo contrario.

INSTRUCCIONES IMPORTANTES

AVISO IMPORTANTE: Lea las instrucciones en su totalidad antes de usar el electrodoméstico.

- Lea este manual con atención antes de usar este electrodoméstico para reducir el riesgo de incendio, descarga eléctrica o lesiones.
- Este electrodoméstico lo deben instalar, conectar a tierra y reparar un técnico calificado, una agencia de servicio o un proveedor de gas.

⚠ ADVERTENCIA

PROPUESTA 65 PARA RESIDENTES DE CALIFORNIA

Cáncer y Daño Reproductivo—
www.P65Warnings.ca.gov

PRECAUCIONES GENERALES DE SEGURIDAD

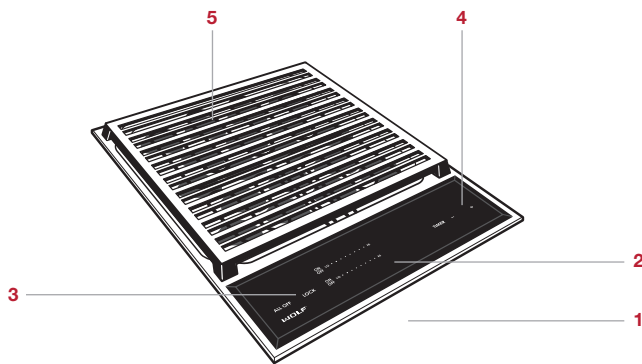
- Use siempre guantes de cocina secos. Los guantes de cocina húmedos o mojados pueden provocar quemaduras por vapor. No use toallas ni paños gruesos en lugar de los guantes de cocina.
- No deje a los niños solos o sin supervisión en el área donde se usa este electrodoméstico. Nunca permita que los niños se sienten o paren sobre el electrodoméstico.
- Nunca deje de supervisar este electrodoméstico cuando se encuentre en uso. El rebosamiento por ebullición y los derrames de grasa pueden generar humo o incendiarse.
- No use agua en incendios causados por grasas. Sofoque el fuego o use un extinguidor químico seco o de espuma.
- No intente reparar ni cambiar parte alguna de este electrodoméstico a menos que esté específicamente recomendado en la documentación que acompaña a este electrodoméstico.
- No almacene ni use gasolina ni otros vapores o líquidos ignífugos en las proximidades de este o cualquier otro electrodoméstico.
- No caliente recipientes de comida cerrados, como frascos de alimentos para bebés o enlatados. La acumulación de presión puede hacer que el recipiente explote y cause lesiones.

GUARDE ESTAS INSTRUCCIONES

Características del módulo de la parrilla

CARACTERÍSTICAS

1	Placa de datos del producto (parte inferior del módulo)
2	Panel de control
3	Bloqueo del panel de control
4	Pantalla de temporizador
5	Rejilla de asar.
6	Elementos de calefacción duales
7	Rejilla para briquetas de cerámica
8	Bandeja extraíble colectora de grasa

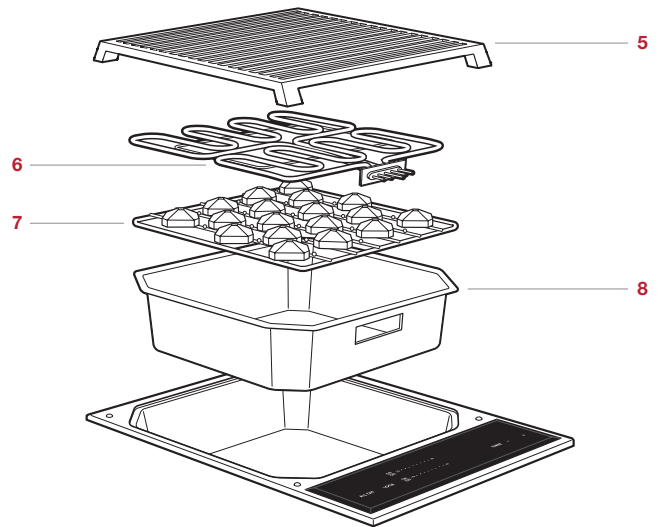


Módulo de la parrilla

INSTALACIÓN DEL MÓDULO DE LA PARRILLA

Para que funcione correctamente, el módulo de la parrilla se debe alinear adecuadamente cuando se instale. Consulte la siguiente ilustración.

Inserte la bandeja colectora de grasa en el módulo con el orificio del tomacorriente apuntando al frente. Coloque la rejilla de briquetas en la bandeja colectora de grasa. Conecte los elementos de calefacción al tomacorriente que está en el frente del módulo. Coloque la rejilla de asar con las patas asentadas en las hendiduras esquineras.

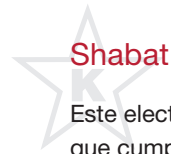


Instalación del módulo de la parrilla

Primeros pasos

Antes de empezar a cocinar, dedique tiempo para leer este manual de uso y cuidado. Se beneficiará al conocer las prácticas de seguridad, las características, el funcionamiento y las recomendaciones de cuidado del módulo de la parrilla de Wolf.

Para eliminar todo el aceite residual del proceso de fabricación, caliente el módulo de la parrilla en temperatura HI (ALTO) durante 10 minutos aproximadamente. Es normal que se produzca un poco de humo y mal olor. Limpie cuidadosamente el módulo de la parrilla con agua caliente y detergente suave antes de usarlo. Enjuague y seque con un paño suave. Consulte las recomendaciones sobre el cuidado en la página 12.



Shabat

Este electrodoméstico lleva el certificado Star-K que indica que cumple con estrictas normas religiosas junto con instrucciones específicas que aparecen en www.star-k.org.





Funcionamiento de la parrilla

PANEL DE CONTROL


El panel de control presenta controles táctiles iluminados. Un indicador de nivel de potencia de los elementos de calefacción posterior y frontal muestra la temperatura, que va de LO (BAJO) a HI (ALTO). Consulte la siguiente ilustración.

Los indicadores del panel de control se iluminarán para indicar el funcionamiento específico del módulo. Consulte la tabla siguiente.

INDICADOR DEL PANEL DE CONTROL

	Panel de control bloqueado
	Elemento(s) encendido(s)
	Superficie caliente
	Fijar temporizador

BLOQUEO DEL PANEL DE CONTROL

La función de bloqueo del panel de control impide el funcionamiento no deseado del módulo. Presione y mantenga presionado LOCK (BLOQUEO) durante tres segundos para bloquear y desbloquear el panel de control.  se iluminará cuando el panel de control está bloqueado.

El panel de control se bloqueará automáticamente después de 10 minutos de inactividad. Esta función de bloqueo automático puede deshabilitarse a través del menú de opciones extendidas. Consulte la página 10.

Cuando se enciende por primera vez, o después de un corte de luz, el módulo quedará de manera predeterminada en modo de bloqueo.



Panel de control

Funcionamiento de la parrilla

NIVEL DE POTENCIA

Cuando se activa el elemento de calefacción, se iluminará un indicador de nivel de potencia para señalar el nivel de temperatura. El calor más bajo se representa por la llama pequeña, la variación en los niveles de calor por los indicadores adicionales (puntos), y el calor más alto por todos los indicadores, incluyendo la llama grande. Consulte la tabla siguiente.

CONFIGURACIÓN	NIVEL DE POTENCIA	USOS
Baja	Indicadores 1 a 6	Mantener los alimentos calientes.
Media	Indicadores 6 a 7	Tostar pan.
Media alta	Indicadores 7 a 8	Asar cerdo en salsa fresca y marinado.
Alta	Indicadores 8 a 10 (llama grande)	Dorar y asar carnes y verduras.

INDICADOR DEL NIVEL DE POTENCIA

Ajuste de los controles:

- 1 Para activar el elemento calefactor, pulse el botón ON/OFF correspondiente (frontal o posterior) en el panel de control. El indicador de nivel de potencia destellará, y todos los indicadores de dicho elemento destellarán. Consulte la siguiente ilustración.
- 2 Para completar la activación, pulse HI para la temperatura más alta, LO para la más baja o el indicador de nivel de potencia predeterminado que desee.
- 3 Para cambiar la configuración mientras el elemento está encendido, pulse o deslice el nivel de potencia predeterminado que desee.
- 4 Para apagar el elemento, pulse ON/OFF.

PRECALENTAMIENTO


Precalente el módulo de la parrilla durante unos 10 minutos antes de colocar alimentos. Los alimentos se cocinan directamente en la rejilla de asar.



Indicador del nivel de potencia

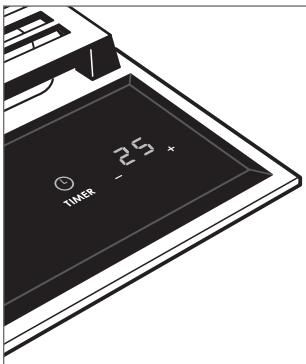
Funcionamiento de la parrilla

TEMPORIZADOR

El temporizador puede fijarse hasta en 99 minutos, con incrementos de un minuto. Una vez que se haya fijado un tiempo,  se iluminará en el panel de control y la cuenta regresiva aparece en la pantalla del temporizador. Consulte la siguiente ilustración. El temporizador funciona de manera independiente del módulo.


Para configurar el temporizador:

- 1 Pulse TIMER (TEMPORIZADOR).
- 2 Pulse y mantenga + o - hasta que el tiempo deseado se muestre en la pantalla del temporizador. El temporizador comenzará la cuenta regresiva en minutos.
- 3 Cuando quede un minuto en el temporizador, sonará una campana y la cuenta regresiva se hará en segundos.
- 4 Al terminar, sonará una campana en el temporizador, y continuará sonando hasta que se pulse TIMER.




Control del temporizador

INDICADOR DE SUPERFICIE CALIENTE

El ícono  se iluminará en el panel de control y quedará iluminado hasta que la unidad se enfríe. Este indicador seguirá iluminado incluso cuando se apague el módulo de la parrilla.

ALL OFF

Cuando uno o los dos elementos están encendidos,  se iluminará en el panel de control. Para apagar los dos elementos simultáneamente, pulse ALL OFF (TODO APAGADO).

Funcionamiento de la parrilla

OPCIONES EXTENDIDAS

La función de opciones extendidas permite al usuario fijar sus preferencias de volumen, tono, bloqueo de panel de control y la función Shabat.

Configurar las opciones extendidas:

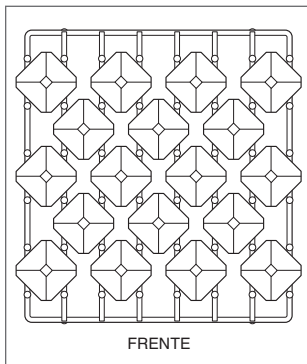
- 1 Para desbloquear el panel de control, mantenga pulsado LOCK durante 3 segundos.
- 2 Para entrar al modo de opciones extendidas, mantenga pulsado ALL OFF durante 5 segundos.
- 3 En el control del elemento posterior aparecerá el nivel de potencia 1, y 'VO' en la pantalla del temporizador.
Pulse LO o HI en el control del elemento frontal para ajustar el volumen.
- 4 Pulse + en el control del temporizador para ajustar el tono. Se mostrará Nivel de potencia 2 en el control del elemento trasero y aparecerá 'Fr' en la pantalla del temporizador.
Pulse LO o HI en el control del elemento frontal para ajustar el tono.
- 5 Pulse + en el control del temporizador para ajustar el bloqueo automático del panel de control. Se mostrará Nivel de potencia 3 en el control del elemento trasero y aparecerá 'Lo' en la pantalla del temporizador.
Pulse LO o HI en el control del elemento frontal para apagar y encender la función de bloqueo automático.
- 6 Pulse + en el control del temporizador para entrar al modo Shabat. En el control del elemento posterior aparecerá en nivel de potencia 4. Pulse HI en el control del elemento frontal para iniciar la función Shabat. 'SA' aparecerá en la pantalla del temporizador.
Pulse LO en el control del elemento frontal para activar o desactivar la función.
- 7 Pulse ALL OFF para confirmar la configuración.

Funcionamiento de la parrilla

REJILLA PARA BRIQUETAS

Las briquetas de cerámica y la rejilla para briquetas se pueden lavar en lavavajillas. Las briquetas se deben separar de la rejilla cuando se coloquen en un lavavajillas. Para organizar las briquetas de manera adecuada, consulte la ilustración.

No opere el módulo de la parrilla sin instalar las briquetas y la rejilla.



Rejilla para briquetas

Recomendaciones sobre el cuidado

LIMPIEZA

Acero inoxidable	Use un limpiador no abrasivo para acero inoxidable y aplique con un paño suave sin pelusa. Para resaltar el lustre natural, limpie suavemente la superficie con una tela de microfibra humedecida con agua, seguida con una gamuza para pulir en seco. Siempre siga la dirección del acabado del acero inoxidable.
Panel de control	Use desengrasante en aerosol para retirar las marcas de los dedos y los residuos de alimentos. Rocíe el producto en un paño antes de limpiar el panel. AVISO IMPORTANTE: No aplique los limpiadores directamente sobre el panel de control.
Rejilla de asar.	Después de asar, ponga a funcionar la parrilla en HI durante cinco minutos para quemar el exceso de grasa. Retire todas las partículas de alimentos quemados. Limpie con un limpiador no abrasivo, como un detergente líquido, y agua caliente o una pasta de bicarbonato de sodio y agua. No sumerja en agua. Se pueden rociar desengrasantes y limpiadores ligeramente abrasivos.
Elemento de calefacción	No sumerja en agua. Si hay partículas de comida quemadas, limpie manualmente con un paño mojado.
Briquetas de cerámica	Coloque las briquetas en el lavavajillas o lávelas con detergente y un paño suaves. Déjelas enfriar antes de volverlas a colocar en la rejilla. Consulte la página 11 para conocer el orden correcto.
Rejilla para briquetas	Coloque la rejilla en el lavavajillas o lávela con detergente y un paño suaves.
Bandeja colectora de grasa	Antes de limpiar, remueva todo el exceso de grasa y las partículas de comida quemadas. Lave en agua caliente con detergente suave. Enjuague y seque.

Resolución de problemas

OPERACIÓN

El módulo de la parrilla no funciona.

- Compruebe que esté encendido.
- Compruebe que la corriente eléctrica al módulo y el interruptor de circuito de la casa estén encendidos.
- El módulo está en modo de bloqueo. Pulse y mantenga LOCK (BLOQUEO) durante tres segundos para desbloquear el panel de control.

Problema con la temperatura del módulo.

- Póngase en contacto con la línea de atención al cliente de Wolf al 800-222-7820 para para obtener recomendaciones.

Resolución de problemas

SERVICIO

- Para mantener la calidad de su producto, póngase en contacto con el servicio certificado de fábrica de Wolf. Para obtener los datos del centro de servicio certificado de fábrica de Wolf más cercano, eche un vistazo a la sección de contacto y servicio técnico en nuestro sitio web, wolfappliance.com; o bien, llame a la línea de atención al cliente de Wolf al 800-222-7820.
- Al comunicarse con el servicio, necesitará el modelo y número de serie de su producto. Los dos números también aparecen en la placa de datos del producto. Consulte la página 5 para encontrar la placa de datos.
- Para fines de la garantía, también necesitará la fecha de instalación y el nombre de su distribuidor autorizado de Wolf. Esta información debe estar registrada en la página 3 de este manual.

Garantía limitada residencial de Wolf Appliance

PARA USO RESIDENCIAL

GARANTÍA COMPLETA DE DOS AÑOS*

Durante dos años a partir de la fecha de la instalación original, la garantía de su producto Wolf Appliance cubre todas las piezas y mano de obra para reparar o cambiar, bajo el uso residencial normal, cualquier pieza del producto que se compruebe estar defectuosa en material o mano de obra. Todos los servicios proporcionados por Wolf Appliance bajo la garantía anterior deben ser ejecutados por servicios certificados de fábrica de Wolf, a menos que Wolf Appliance, Inc. lo especifique de otra manera. El Servicio será hecho durante el horario comercial normal.

GARANTÍA LIMITADA DE CINCO AÑOS

Durante cinco años a partir de la fecha de la instalación original, Wolf Appliance reparará o cambiará los siguientes componentes que se comprueben estar defectuosos en material o mano de obra: quemadores de gas (excluyendo la apariencia), elementos eléctricos de calentamiento, motores de sopladores (campanas de ventilación), módulos de control eléctrico, tubos magnetrón y generadores de inducción. Si el propietario usa el servicio certificado de fábrica de Wolf, el prestador del servicio reparará o cambiará estas piezas mediante el pago de todos los otros costos, incluyendo mano de obra, a cargo del propietario. Si el propietario usa un servicio no certificado, debe ponerse en contacto con Wolf Appliance, Inc. (mediante la información anotada más adelante) para recibir los componentes reparados o de cambio. Wolf Appliance no reembolsará al propietario los importes correspondientes a componentes comprados a un servicio no certificado o a otras fuentes.

TÉRMINOS APLICABLES A CADA GARANTÍA

La garantía se aplica solamente a los productos instalados para uso residencial normal. La garantía se aplica solamente a los productos instalados en cualquiera de los cincuenta estados de los Estados Unidos, el Distrito de Columbia o las diez provincias de Canadá. Esta garantía no cubre las partes o mano de obra para corregir cualquier defecto causado por negligencia, accidente o uso, mantenimiento, instalación, servicio o reparación inadecuados.

LOS RECURSOS DESCRITOS ANTERIORMENTE PARA CADA GARANTÍA SON LOS ÚNICOS QUE WOLF APPLIANCE, INC. PROPORCIONARÁ, YA SEA BAJO ESTA GARANTÍA O BAJO CUALQUIER GARANTÍA QUE RESULTE DE LA APLICACIÓN DE LA LEY. WOLF APPLIANCE, INC. NO SE HACE RESPONSABLE POR LOS DAÑOS INDIRECTOS O INCIDENTALES DERIVADOS DEL INCUMPLIMIENTO DE ESTA GARANTÍA O CUALQUIER OTRA GARANTÍA, YA SEA EXPRESA, IMPLÍCITA O LEGAL.

Algunos estados no permiten la exclusión o limitación de daños incidentales o consecuentes, por lo tanto la limitación o exclusión anterior podrían no aplicarse en su caso. Esta garantía le otorga derechos legales específicos, y usted también puede tener otros derechos legales que varían entre estados.

Para recibir las piezas o el servicio y el nombre del servicio certificado de fábrica de Wolf más cercano a usted, póngase en contacto con Wolf Appliance, Inc., P.O. Box 44848, Madison, WI 53744; eche un vistazo a la sección de contacto y servicio técnico en nuestro sitio web, wolfappliance.com, envíenos un correo electrónico a customerservice@subzero.com o llame al 800-222-7820.

*Las puertas, paneles, manijas, estructuras de acero inoxidable y superficies internas están cubiertas por una garantía limitada de 60 días sobre piezas y mano de obra, por defectos cosméticos.

*Los filtros de repuesto para los juegos de circulación de la campana de ventilación no están cubiertos por la garantía del producto.



Table des matières

- 4 Précautions de sécurité
- 5 Caractéristiques du module à grill
- 6 Fonctionnement du module à grill
- 12 Recommandations d'entretien
- 13 Dépannage
- 15 Garantie de Wolf

Service à la clientèle

Le numéro de modèle et le numéro de série sont imprimés sur la fiche d'enregistrement du produit ci-jointe. Les deux numéros sont aussi indiqués sur la plaque signalétique du produit. Reportez-vous à la page 5 pour connaître l'emplacement de la plaque signalétique. Pour les besoins de la garantie, vous devrez aussi avoir la date d'installation et le nom de votre dépositaire Wolf autorisé. Inscrivez ces renseignements ci-dessous pour consultation ultérieure.

RENSEIGNEMENTS SUR LE SERVICE

Numéro de modèle

Numéro de série

Date de l'installation

Nom du service certifié

Numéro du service certifié

Dépositaire autorisé

Numéro du dépositaire

Si votre produit a besoin d'être réparé, assurez-vous d'utiliser un fournisseur de service certifié par l'usine Wolf recommandé par notre centre de service à la clientèle, ou sélectionnez-en un parmi la liste de fournisseurs disponibles à wolfappliance.com/locator. Tous les fournisseurs de service certifiés par l'usine sont soigneusement sélectionnés et rigoureusement formés par nous.

Remarque importante

Pour s'assurer que ce produit est installé et utilisé en toute sécurité et aussi efficacement que possible, prenez note des types de renseignement mis en évidence tout au long de ce guide :

REMARQUE IMPORTANTE met en évidence des renseignements qui sont particulièrement importants.

MISE EN GARDE indique une situation où une blessure mineure ou des dommages au produit peuvent se produire si les directives ne sont pas respectées.

AVERTISSEMENT décrit un danger qui peut causer une blessure grave ou la mort si les précautions ne sont pas respectées.

REMARQUE IMPORTANTE : tout au long de ce guide, les dimensions entre parenthèses sont en millimètres à moins d'indication contraire.

DIRECTIVES IMPORTANTES

REMARQUE IMPORTANTE : lisez toutes les directives de sécurité avant d'utiliser cet appareil.

- Lisez ce guide attentivement avant d'utiliser cet appareil afin de réduire le risque d'incendie, de choc électrique ou de blessures.
- Cet appareil doit être correctement installé et réparé par un installateur qualifié, une agence de service ou un fournisseur de gaz et mis à la terre par un technicien qualifié.

▲ AVERTISSEMENT

PROPOSITION 65 POUR RESIDENTS DE LA CALIFORNIE

Cancer et Troubles de l'appareil reproducteur—
www.P65Warnings.ca.gov

PRÉCAUTIONS DE SÉCURITÉ GÉNÉRALE

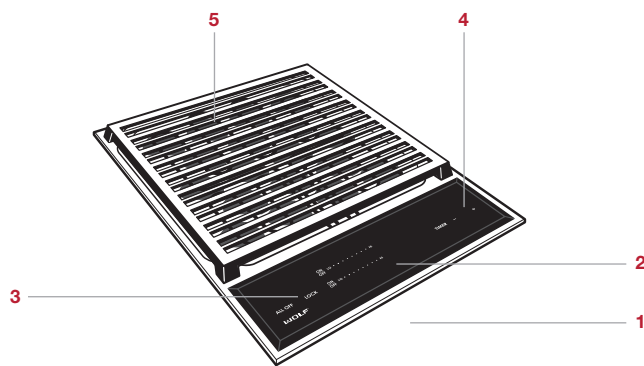
- Utilisez toujours des poignées sèches. Des poignées mouillées ou humides peuvent causer des brûlures de vapeur. N'utilisez pas une serviette ou un chiffon épais au lieu de poignées.
- Ne laissez pas des enfants seuls ou sans surveillance dans la zone où cet appareil est utilisé. Ne laissez jamais des enfants s'asseoir ou se tenir debout sur l'appareil.
- Ne laissez jamais l'appareil sans surveillance lorsqu'il fonctionne. Les débordements par bouillonnement et les renversements de graisse peuvent créer de la fumée ou s'enflammer.
- N'utilisez pas de l'eau sur des incendies de graisse. Étouffez la flamme ou utilisez un extincteur à poudre chimique ou à mousse.
- Ne réparez pas et ne remplacez pas toute pièce de cet appareil à moins que cela ne soit spécifiquement recommandé dans la documentation accompagnant l'appareil.
- Ne rangez pas et n'utilisez pas de l'essence ou d'autres vapeurs ou liquides inflammables à proximité de cet appareil ou de tout autre appareil.
- Ne chauffez pas des contenants d'aliment non ouverts comme les pots et les boîtes de nourriture pour bébé. L'accumulation de pression peut faire éclater le contenant et causer des blessures.

CONSERVEZ CES DIRECTIVES

Caractéristiques du module à grill

CARACTÉRISTIQUES

- | | |
|---|---|
| 1 | Plaque signalétique du produit (fond du module) |
| 2 | Panneau de commande |
| 3 | Verrouillage du panneau de commande |
| 4 | Affichage de la minuterie |
| 5 | Grille pour grillage |
| 6 | Éléments de chauffage doubles |
| 7 | Grille à briquettes en céramique |
| 8 | Bac de collecte de graisse amovible |

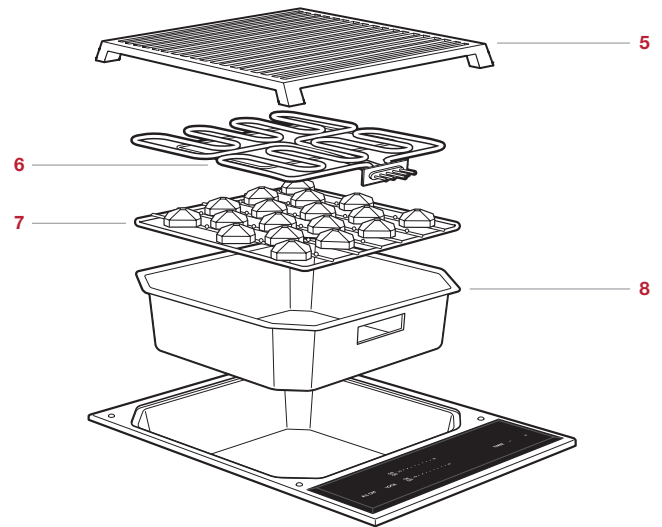


Module à grill

ASSEMBLAGE DU MODULE À GRIL

Pour son bon fonctionnement, le module à grill doit être assemblé selon un alignement approprié. Reportez-vous à l'illustration ci-dessous.

Insérez le bac de collecte de graisse dans le module à grill en gardant le trou pour le récipient vers l'avant. Placez la grille à briquettes dans le bac de collecte de graisse. Branchez les éléments de chauffage dans le récipient situé à l'avant du module. Placez la grille pour grillage en appuyant les pieds dans les dépressions de coin.



Assemblage du module à grill

Comment commencer

Avant de commencer à cuisiner, veuillez prendre quelques minutes pour lire ce guide d'utilisation et d'entretien. Il est dans votre intérêt de vous familiariser avec les pratiques de sécurité, les caractéristiques, le fonctionnement et les recommandations d'entretien de votre module à gril de Wolf.

Pour s'assurer que toute l'huile résiduelle du processus de fabrication a été éliminée, chauffez le module à gril à HI (élevé) pendant environ 10 minutes. Il est normal de voir une petite quantité de fumée et de sentir une odeur. Nettoyez le module à gril à fond avec de l'eau chaude et un détergent doux avant de l'utiliser. Rincez et séchez avec un chiffon doux. Reportez-vous aux recommandations d'entretien à la page 12.



Shabbath

Cet appareil est certifié par Star-K pour répondre à des règlements religieux rigoureux relativement à des directives précises se trouvant sur www.star-k.org.





Fonctionnement du grill

PANNEAU DE COMMANDE


Le panneau de commande comprend des commandes tactiles illuminées. Un indicateur de niveau de puissance pour les éléments de chauffage avant et arrière affiche le réglage de chaleur de LO (faible) à HI (élevé). Reportez-vous à l'illustration ci-dessous.

Les indicateurs sur le panneau de commande s'allument pour indiquer un fonctionnement précis du module. Reportez-vous au tableau ci-dessous.

INDICATEUR DU PANNEAU DE COMMANDE

	Panneau de commande verrouillé
	Élément(s) en marche
	Surface chaude
	Minuterie réglée

VERROUILLAGE DU PANNEAU DE COMMANDE

La fonction de verrouillage du panneau de commande empêche le fonctionnement non désiré du module. Enfoncez et tenez la touche LOCK (verrouillage) pendant trois secondes pour verrouiller et déverrouiller le panneau de commande.  s'allume lorsque le panneau de commande est verrouillé.

Le panneau de commande se verrouille automatiquement après 10 minutes d'inactivité. Cette fonction de verrouillage automatique peut être désactivée par l'entremise du menu d'options supplémentaires. Reportez-vous à la page 10.

Lorsque le module est mis en marche pour la première fois ou après une panne d'électricité, il passe par défaut au mode verrouillage.



Panneau de commande

Fonctionnement du grill

NIVEAU DE PUISSANCE

Lorsque l'élément de chauffage est activé, un indicateur de niveau de puissance s'allume pour indiquer le niveau de chaleur. Le niveau de chaleur le plus faible est représenté par la petite flamme, les divers niveaux de chaleur par d'autres indicateurs (points) et le niveau de chaleur le plus élevé par tous les indicateurs, y compris la grosse flamme. Reportez-vous au tableau ci-dessous.

RÉGLAGE	NIVEAU DE PUISSANCE	UTILISATIONS
Faible	1-6 indicateurs	Garder des aliments chauds.
Moyen	6-7 indicateurs	Griller du pain.
Moyen élevé	7-8 indicateurs	Griller de la saucisse fraîche et du porc mariné.
Élevé	8-10 indicateurs (grosse flamme)	Saisir et griller de la viande, griller des légumes.

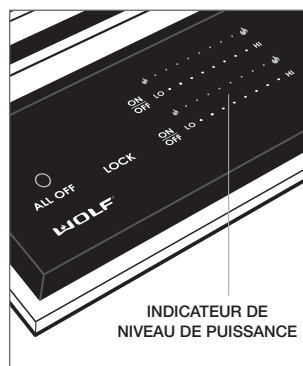
INDICATEUR DE NIVEAU DE PUISSANCE

Réglage des commandes :

- 1 Pour activer un élément de chauffage, touchez à ON/OFF (marche/arrêt) sur le panneau de commande pour l'élément désiré. L'indicateur de niveau de puissance clignotera et tous les indicateurs de cet élément clignoteront. Reportez-vous à l'illustration ci-dessous.
- 2 Pour compléter l'activation, touchez à HI (élevé) pour obtenir la chaleur la plus élevée, LO (faible) pour la chaleur la plus faible, ou touchez à l'indicateur de niveau de puissance pré-réglé souhaité.
- 3 Pour modifier le réglage de chaleur lorsque l'élément est en marche, touchez au niveau de puissance pré-réglé désiré ou glissez jusqu'à ce dernier.
- 4 Pour éteindre l'élément, touchez à ON/OFF (marche/arrêt).

PRÉCHAUFFAGE


Préchauffez le grill pendant environ 10 minutes avant d'ajouter les aliments. Les aliments sont cuits directement sur la grille pour grillage.



Indicateur de niveau de puissance

Fonctionnement du gril

MINUTERIE

La minuterie peut être réglée dans des incréments d'une minute jusqu'à 99 minutes. Lorsqu'une durée est réglée,  s'allume sur le panneau de commande et le décompte est visible sur l'écran de la minuterie. Reportez-vous à l'illustration ci-dessous. La minuterie est indépendante du fonctionnement du module.


Réglage de la minuterie :

- 1 Touchez à TIMER (minuterie).
- 2 Touchez et tenez les touches + ou – jusqu'à ce que la durée désirée apparaisse sur l'écran de la minuterie. La minuterie commencera le décompte en minutes.
- 3 La minuterie retentit lorsqu'il ne reste qu'une minute à la durée et termine le décompte en secondes.
- 4 Lorsque la durée est terminée, la minuterie retentit et continue à retentir jusqu'à ce que TIMER (minuterie) soit touché.




Commande de la minuterie

INDICATEUR DE SURFACE CHAUDE

 s'allume sur le panneau de commande et demeure illuminé jusqu'à ce que l'unité soit refroidie. Il peut rester illuminé même lorsque le module à gril est éteint.

TOUT ÉTEINT

Lorsqu'un ou les deux éléments de chauffage sont en marche,  s'allume sur le panneau de commande. Pour éteindre les deux éléments en même temps, touchez à ALL OFF (tout éteint).

Fonctionnement du gril

OPTIONS SUPPLÉMENTAIRES

La fonction d'options supplémentaires permet à l'utilisateur de régler des préférences pour le volume, la tonalité, le verrouillage du panneau de commande et le mode Shabbath.

Réglages des options supplémentaires :

- 1 Pour déverrouiller le panneau de commande, touchez et tenez LOCK (verrouillage) pendant trois secondes.
- 2 Pour accéder au mode d'options supplémentaires, touchez et tenez ALL OFF (tout éteint) pendant cinq secondes.
- 3 Niveau de puissance 1 sur la commande de l'élément arrière sera affiché et « VO » apparaîtra sur l'écran de la minuterie.
Touchez à LO (faible) ou à HI (élevé) sur la commande de l'élément avant pour régler le volume.
- 4 Touchez à + sur la commande de la minuterie pour régler la tonalité. Le niveau de puissance 2 sur la commande de l'élément arrière sera affiché et « Fr » apparaîtra sur l'écran de la minuterie.
Touchez à LO (faible) ou à HI (élevé) sur la commande de l'élément avant pour régler la tonalité.
- 5 Touchez à + sur la commande de la minuterie pour régler le verrouillage automatique du panneau de commande. Le niveau de puissance 3 sur la commande de l'élément arrière sera affiché et « Lo » apparaîtra sur l'écran de la minuterie.
Touchez à LO (faible) ou HI (élevé) sur la commande de l'élément avant pour mettre en marche ou arrêter la fonction de verrouillage automatique.

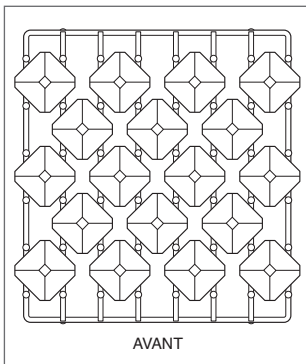
- 6 Touchez à + sur la commande de la minuterie pour accéder au mode Shabbath. Le niveau de puissance 4 sur la commande de l'élément arrière sera affiché. Touchez à HI (élevé) sur la commande de l'élément avant pour initier le mode Shabbath. « SA » sera affiché sur l'écran de la minuterie.
Touchez à LO (faible) sur la commande de l'élément avant pour activer ou désactiver la fonction.
- 7 Touchez à ALL OFF (tout éteint) pour confirmer les réglages.

Fonctionnement du gril

GRILLE À BRIQUETTES

Les briquettes en céramique et la grille à briquettes peuvent être lavées dans le lave-vaisselle. Les briquettes doivent être séparées de la grille si elles seront mises dans un lave-vaisselle. Pour bien disposer les briquettes, reportez-vous à l'illustration ci-dessous.

Ne faites pas fonctionner le module à gril sans que les briquettes et la grille ne soient installées.



Grille à briquettes

Conseils d'entretien

NETTOYAGE

Acier inoxydable	Utilisez un nettoyant non abrasif pour l'acier inoxydable et appliquez-le avec un chiffon doux non pelucheux. Pour faire ressortir le lustre naturel, essuyez légèrement la surface avec un chiffon en microfibrilles humecté d'eau suivi d'un chamois à polir sec. Suivez toujours le grain de l'acier inoxydable.
Panneau de commande	Utilisez un dégraissant pulvérisé pour éliminer les empreintes de doigts et les taches de nourriture. Pulvérissez sur un chiffon avant d'essuyer le panneau. REMARQUE IMPORTANTE : Ne pulvérisez pas les produits à nettoyer directement sur le panneau de commande.
Grille pour grillage	Après le grillage, faites fonctionner le gril à HI (élevé) pendant cinq minutes pour brûler l'excédent de graisse. Retirez toutes les particules d'aliment brûlées. Nettoyez avec un nettoyant non abrasif comme du détergent liquide et de l'eau chaude ou avec une pâte de bicarbonate de soude et d'eau. N'immergez pas dans l'eau. Vous pouvez utiliser des dégraissants pulvérisés et des nettoyants légèrement abrasifs.
Élément chauffant	N'immergez pas dans l'eau. Si des particules d'aliment sont brûlées et collées, essuyez-les avec un chiffon humide.
Briquettes en céramique.	Placez les briquettes dans le lave-vaisselle ou lavez-les avec un détergent et un chiffon doux. Laissez-les refroidir avant de les remettre sur la grille. Reportez-vous à la page 11 pour la disposition appropriée.
Grille à briquettes	Placez la grille dans le lave-vaisselle ou lavez-la avec un détergent et un chiffon doux.
Bac de collecte de graisse	Avant de le nettoyer, retirez tout excédent de graisse et les particules d'aliments brûlées et collées. Lavez dans de l'eau chaude avec un détergent doux. Rincez et séchez.

Dépannage

FONCTIONNEMENT

Le module à grill ne fonctionne pas.

- Assurez-vous qu'il y a du courant.
- Vérifiez l'alimentation électrique vers le module et assurez-vous que le disjoncteur est en marche.
- Le module est en mode verrouillage. Enfoncez et tenez la touche LOCK (verrouillage) pendant trois secondes pour déverrouiller le panneau de commande.

Problème de température du module.

- Communiquez avec le service à la clientèle de Wolf au 800-222-7820 pour obtenir des recommandations.

Dépannage

SERVICE

- Préservez la qualité intégrée dans votre produit en communiquant avec un service Wolf certifié par l'usine. Pour obtenir le nom du centre de service Wolf certifié par l'usine le plus près, consultez la section Contact et assistance de notre site Web, wolfappliance.com ou appelez le service à la clientèle de Wolf au 800-222-7820.
- Avant d'appeler pour obtenir du service, ayez en main les numéros de modèle et de série de votre produit. Les deux numéros sont indiqués sur la plaque signalétique du produit. Reportez-vous à la page 5 pour connaître l'emplacement de la plaque signalétique.
- Pour les besoins de la garantie, vous devrez aussi avoir la date d'installation et le nom de votre dépositaire Wolf autorisé. Ces renseignements doivent être notés à la page 3 de ce guide.

Garantie limitée résidentielle Wolf Appliance

POUR UTILISATION RÉSIDENTIELLE

GARANTIE COMPLÈTE DE DEUX ANS*

Pendant deux ans à compter de la date d'installation originale, cette garantie de produit Wolf Appliance couvre toutes les pièces et la main d'œuvre pour réparer ou remplacer, selon un usage résidentiel normal, toute partie du produit qui s'avèrerait défectueuse en vertu des matériaux ou de la fabrication. Tout service fourni par Wolf Appliance en vertu de la garantie ci-dessus doit être effectué par un centre de service Wolf certifié par l'usine, à moins d'indication contraire de la part de Wolf Appliance, Inc. Le service sera fourni pendant les heures normales d'affaires.

GARANTIE LIMITÉE DE CINQ ANS

Pendant cinq ans à compter de la date originale d'installation, Wolf Appliance réparera les pièces suivantes qui s'avèreront défectueuses en vertu des matériaux ou de la fabrication : les brûleurs au gaz (sauf l'apparence), les éléments de chauffage électrique, les moteurs de soufflerie (hottes de ventilation), les circuits de contrôle électronique, les tubes magnétrons et les génératrices à induction. Si le propriétaire utilise le service Wolf certifié en usine, le fournisseur de service réparera ou remplacera ces pièces et le propriétaire paiera pour tous les autres frais, y compris la main d'œuvre. Si le propriétaire utilise un service non certifié, il doit communiquer avec Wolf Appliance, Inc. (avec les renseignements ci-dessous) pour obtenir des pièces réparées ou de rechange. Wolf Appliance ne remboursera pas le propriétaire pour les pièces achetées d'un service non certifié ou d'autres sources.

CONDITIONS S'APPLIQUANT À CHAQUE GARANTIE

La garantie s'applique uniquement aux produits installés pour un usage résidentiel normal. La garantie s'applique seulement aux produits installés dans l'un des cinquante États des États-Unis, dans le District of Columbia ou les dix provinces du Canada. Cette garantie ne couvre pas les pièces ou la main d'œuvre pour corriger tout défaut causé par de la négligence, un accident ou une utilisation, un entretien, une installation, un service ou une réparation inappropriés.

LES REMÈDES DÉCRITS CI-DESSUS POUR CHAQUE GARANTIE SONT LES SEULS QUI SONT OFFERTS PAR WOLF APPLIANCE, INC. EN VERTU DE CETTE GARANTIE OU EN VERTU DE TOUTE GARANTIE DÉCOULANT DE L'OPÉRATION DE LA LOI. WOLF APPLIANCE, INC. NE SERA PAS RESPONSABLE DES DOMMAGES INDIRECTS OU CONSÉCUTIFS DÉCOULANT DE LA VIOLATION DE CETTE GARANTIE OU DE TOUTE GARANTIE, EXPRESSE, IMPLICITE OU LÉGALE.

Certaines provinces ne permettent pas l'exclusion ou la restriction des dommages indirects ou consécutifs, par conséquent, la limite ou l'exclusion ci-dessus peut ne pas s'appliquer à votre cas. Cette garantie vous confère des droits légaux précis et vous pouvez aussi avoir d'autres droits légaux qui peuvent varier d'une province à l'autre.

Pour obtenir des pièces et/ou du service et le nom du centre de service Wolf certifié par l'usine le plus près de chez vous, communiquez avec Wolf Appliance, Inc., P.O. Box 44848, Madison, WI 53744 É.-U.; consultez la section Contact et assistance de notre site Web, wolfappliance.com, envoyez-nous un courriel à customerservice@subzero.com ou composez le 800-222-7820.

*L'acier inoxydable (les portes, les panneaux, les poignées, les cadres et les surfaces intérieures) est couvert par une garantie limitée de 60 jours sur les pièces et la main d'œuvre pour toute défectuosité cosmétique.

*Les filtres de rechange pour les trousseaux de remise en circulation de hotte de ventilation ne sont pas couverts par la garantie du produit.





WOLF APPLIANCE, INC. P.O. BOX 44848 MADISON, WI 53744 WOLFAPPLIANCE.COM 800.222.7820

9010269 REV-B

2/2018

