

## MICROWAVE HOODS

RVMH330 – 30" WIDE – CONVENTIONAL

RVMHC330 – 30" WIDE – CONVECTION



### Features and Functions

- Instant sensor settings for cooking, reheating foods, and popping popcorn
- Add-A-Minute adds one minute of extra cooking time with the touch of a button
- Child lock safety feature locks the control panel to prevent unwanted operation
- Built-in exhaust system
  - 300 CFM
  - Unit shipped assembled to recirculate; may also be vented out the back or vertically
- Recommended for use with 30" wide ranges and 30" wide cooktops

### Additional Features

#### • Conventional Microwave Hood

- Fast action keys save time and make microwaving easy
- Defrost programs quickly defrost meat and poultry by weight
- Keep Warm Plus feature allows food to be kept warm for up to 30 minutes
- Interior light

#### • Convection Microwave Hood

- Four convection settings: ConvecBroil, ConvecRoast, ConvecBake, and a manual convection setting option
- Low Mix Bake and High Mix Roast settings offer use of convection heat to seal and brown outside of foods while using microwave energy to ensure the interior is cooked
- Interior light

### Spacious Oven Cavity

#### • Conventional Microwave Hood

- 1.5 cubic ft. oven capacity
- 14 1/8" diameter turntable

#### • Convection Microwave Hood

- 1.1 cubic ft. oven capacity
- 13" diameter turntable

### Finish

- Available in Stainless Steel (SS)



### Warranty Highlights

- One-year full – complete product
- Ninety-day full – cosmetic parts such as glass, painted items, and decorative items
- Five-year limited – magnetron tube



30" Wide Conventional Microwave Hood



30" Wide Convection Microwave Hood

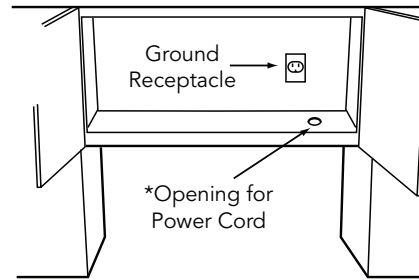
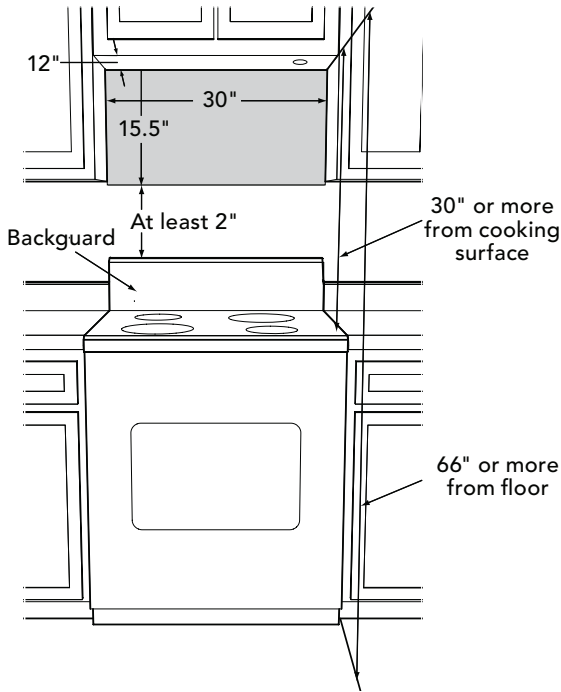
# MICROWAVE HOODS

RVMH330 – 30" WIDE – CONVENTIONAL

RVMHC330 – 30" WIDE – CONVECTION



DESCRIPTION	30" WIDE MICROWAVE HOODS	
	RVMH330	RVMHC330
Overall Width	30" (76.2 cm)	
Overall Height	16 1/2" (41.9 cm)	16 11/32" (41.5 cm)
Overall Depth	15 1/2" (39.4 cm)	15 9/32" (38.8 cm)
Electrical Requirements	120VAC/60Hz	
Maximum Amp Usage	1.6kW, 13.0 amps	
Oven Interior Dimensions	Width – 16 3/4" (42.5 cm) Height – 9 1/4" (23.5 cm) Depth – 14" (35.6 cm) Overall Size – 1.5 cu. ft.	Width – 17 1/8" (43.5 cm) Height – 8 1/16" (20.5 cm) Depth – 13 13/16" (35.1 cm) Overall Size – 1.1 cu. ft.
Approximate Shipping Weight	85 lb. (38.6 kg)	71 lb. (32.2 kg)



**IMPORTANT:** \* Power cord opening for metal cabinets: Deburr opening to remove rough edges.



VIKING RANGE, LLC 111 FRONT STREET GREENWOOD, MISSISSIPPI 38930 USA

For detailed product information, model numbers, or to request a quote call 1-888-845-4641 or visit [vikingrange.com](http://vikingrange.com)  
 © 2019 Viking Range, LLC All rights reserved. Specifications subject to change without notice.