



UNDERCOUNTER BEVERAGE CENTERS

Viking 5 Series – VBUI

MODELS

- 15"W. Beverage Center
 - 2.7 cu. ft. capacity stores up to (35) 12-oz cans or 6 wine bottles on two full-width, adjustable cantilevered shelves
 - (2) Convertible Shelves features removable glass pane with wine rack option to store beverages, food or wine
 - Fully adjustable shelving system with two cantilevered, steel-framed glass shelves
- 24"W. Beverage Center
 - 5.5 cu. ft. capacity, stores 19 wine bottles total (14 flat, 5 cradled) and holds (108) 12-oz cans
 - (2) Slide-Out Split Convertible Shelves feature removable glass pane with wine rack option to store beverages, food or wine
 - Display wine rack glides out for easy access and holds 5 wine bottles, including magnum sizes



PROFESSIONAL FEATURES

- Access contents easily with 2 full-extension, glide-out shelves on the smooth-glide ball bearing system
- Dynamic cooling technology delivers rapid cool down, frost-free operation and precise temperature stability
- Thermal-efficient cabinet ensures optimum food preservation and energy efficiency while maximizing capacity
- Argon-filled, UV-resistant tinted dual pane glass door protects contents from damaging ultraviolet light and helps conserve energy
- Multifunction controls allows selection of precise cabinet temperature from 33°F to 70° F
- Efficient Arctic White interior lighting brightly illuminates interior for better viewing of contents
- Midnight Black interior
- At the touch of a button, change the interior light color to Alluvial Blue or Arctic White
- Theater-style display lighting gently brightens as door is opened and dims to off when closed
- Close Door Assist System™ gently and automatically draws door to a close, ensuring door is never left ajar
- Height adjustment up to 1" with leveling legs

MODEL NUMBERS

- VBUI5151GSS – 15"W. Refrigerated Beverage Center
- VBUI5241GSS – 24"W. refrigerated Beverage Center

DESIGN OPTIONS

- Reversible soft-close door allows for right or left swing for adaptable installation

COLOR FINISHES

- Available in Stainless Steel (SS)

WARRANTY

- 2-year full covers complete unit
- 6-year full – sealed refrigeration system
- 90-day full – cosmetic parts such as glass, painted items, and decorative items
- 12-year limited – sealed refrigeration system



UNDERCOUNTER BEVERAGE CENTERS

Viking 5 Series – VBUI

UNDERCOUNTER/FREESTANDING BEVERAGE CENTERS		
DESCRIPTION	VBUI5151	VBUI5241
Overall Width	14 7/8 (37.8 cm)	23-7/8" (60.6 cm)
Overall Height	34-3/4" (95.9cm)	
Overall Depth from Rear	To front of door – 23-23/32" (60.2 cm) To handle– 26-7/32" (66.6 cm) With door at 90° – 37-13/32" (95 cm)	To front of door – 23-23/32" (60.2 cm) To handle– 26-7/32" (66.6 cm) With door at 90° – 46-13/32" (117.9 cm)
Electrical Requirements	120V / 60Hz / 15A (5 ft. power cord attached to product)	
Interior finish	Black	
Approximate Shipping Weight	125 lbs. (56.7 kg)	160 lb. (72.6 kg)

Please do not prepare installation from brochure data only. See installation instructions for important clearance/installation information.

15" Rough-in Dimensions		
A	B	C
15" (38.1 cm)	34" to 35" (86.4 to 88.9 cm)	24" (61 cm)

24" Rough-in Dimensions		
A	B	C
24" (61 cm)	34" to 35" (86.4 to 88.9 cm)	24" (61 cm)

15"W. Cabinet Dimensions					
D	E	F	G	H	J
14 7/8" (37.8 cm)	33-3/4" to 34-3/4" (85.7 to 88.3 cm)	23-23/32" (60.2 cm)	26-7/32" (66.6 cm)	37 13/32" (95 cm)	17 7/16" (44.3 cm)

24"W Cabinet Dimensions					
D	E	F	G	H	J
23-7/8" (60.7 cm)	33-3/4" to 34-3/4" (85.7 to 88.3 cm)	23-23/32" (60.2 cm)	26-7/32" (66.6 cm)	46-13/32" (117.9 cm)	26-7/16" (67.2 cm)

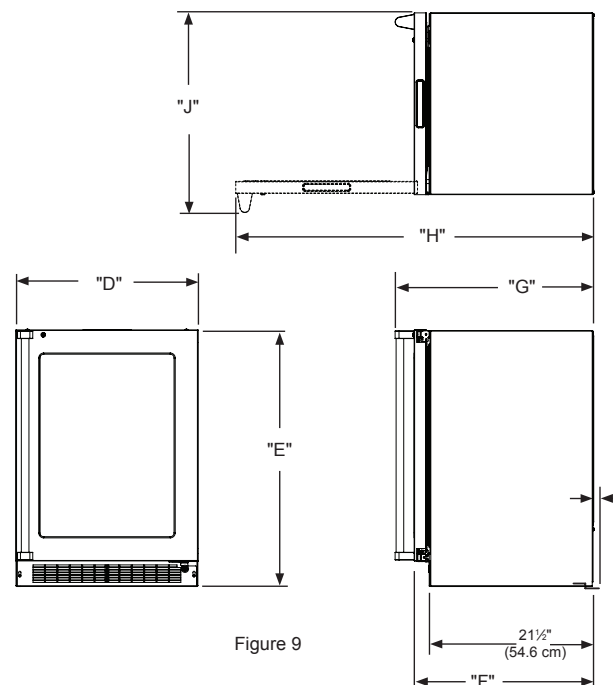
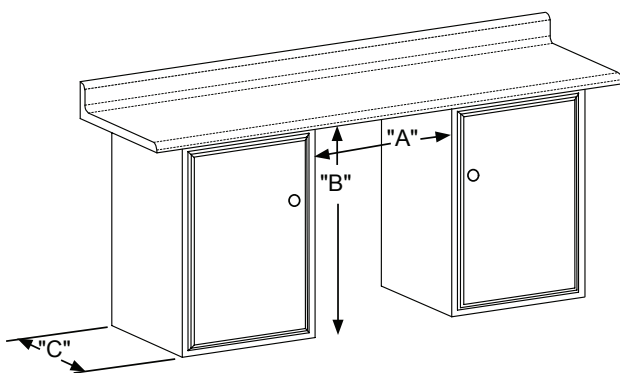


Figure 9



VIKING RANGE, LLC 111 FRONT STREET GREENWOOD, MISSISSIPPI 38930 USA

For detailed product information, model numbers, or to request a quote call 1-888-845-4641 or visit vikingrange.com

© 2020 Viking Range, LLC All rights reserved. Specifications subject to change without notice.