



BUILT-IN 5 SERIES GAS COOKTOPS

Viking Professional 5 Series – VGSU

COMMERCIAL-TYPE COOKING POWER

- Highest combined BTU rating in the industry, featuring sealed burners with brass burner rings in a wide variety of sizes
- Powerful 18,000 BTU burner delivers commercial power for high heat sautéing, rapid boiling and quick recovery
- Simmer settings on all burners allows low BTU output for heating delicate sauces
- **EXCLUSIVE** SureSpark™ Ignition System ensures automatic ignition/re-ignition should flame extinguish at any time while cooking

GAS 30" WIDE COOKTOP

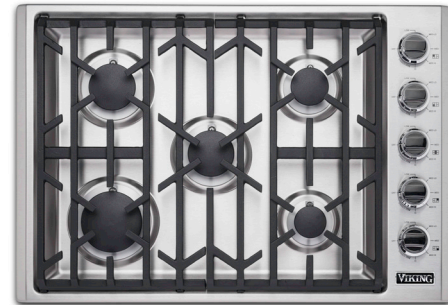
- Left front – 18,000 BTU high
- Left rear – 12,000 BTU high
- Center – 12,000 BTU high
- Right front – 6,000 BTU high
- Right rear – 8,000 BTU high

GAS 36" WIDE COOKTOP

- Left front – 18,000 BTU high
- Left rear – 10,000 BTU high
- Center front – 12,000 BTU high
- Center rear – 12,000 BTU high
- Right front – 6,000 BTU high
- Right rear – 8,000 BTU high

EASY MAINTENANCE AND CLEANUP

- Permanently sealed burners prevent spills from entering burner box
- Deep, seamless recessed burner pan retains liquid spills
- Durable laser-etched graphics withstand the rigors of regular cleaning
- Removable knobs, grates, and burner ports/caps make cleanup easy



SAFE-EASY OPERATION

- **NEW** BlackChrome™ Knobs
- Child proof, push-to-turn metal knobs for safe use
- Automatic electric spark ignition means no standing pilot to re-light, waste energy or add extra heat to the kitchen
- **EXCLUSIVE** ScratchSafe™ Grate Design provides ultimate protection from scratches and ensures proper placement of the heavy-duty, porcelain-coated cast iron grate

MODEL NUMBERS

- VGSU53015BSS – 30" W. Gas Cooktop; five burners
- VGSU53616BSS – 36" W. Gas Cooktop; six burners

ACCESSORIES

- PGDVGC – Portable non-stick cast aluminum griddle fits securely onto grates for griddling or defrosting food
- WRGVGC – Porcelain-coated cast iron wok ring fits securely over grates to accommodate a traditional wok
- LPKVGC – LP/Propane Conversion Kit

COLOR FINISHES

- Available in Stainless Steel (SS)

WARRANTY

- 2-year full - complete product
- 90-day full - cosmetic parts such as glass, painted items and decorative items
- 5-year limited - gas surface burners

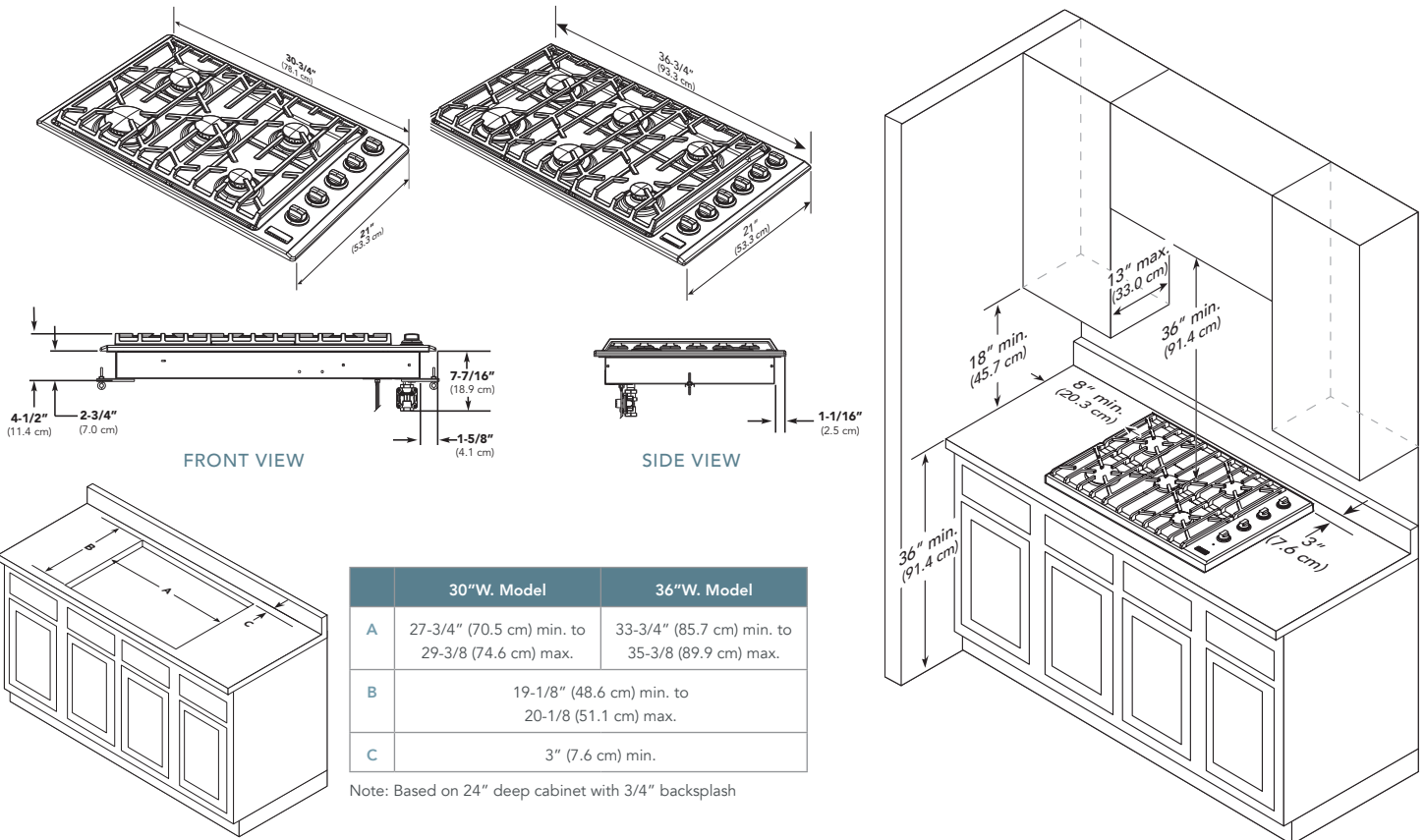


BUILT-IN 5 SERIES GAS COOKTOPS

Viking Professional 5 Series – VGSU

GAS COOKTOPS		
DESCRIPTION	VGSU53015B	VGSU53616B
Overall Width	30-3/4" (78.1 cm)	36-3/4" (93.3 cm)
Overall Height (from bottom to top of grate)	4-1/2" (11.4 cm)	
Overall Depth from rear	21" (53.3 cm)	
Cutout Width	27-3/4" (70.5 cm) minimum to 29-3/8" (74.6 cm) maximum	33-3/4" (85.7 cm) minimum to 35-3/8" (89.9 cm) maximum
Cutout Height	2-3/4" (7.0 cm)	
Cutout Depth	19-1/8" (48.6 cm) minimum to 20-1/8" (51.1 cm) maximum	
Gas Requirements	Shipped Natural or LP/Propane, field convert with conversion kit (sold separately); accepts standard residential 1/2" (1.3 cm) ID gas service line	
Electrical Requirements	120 V 60 Hz; 4 ft. (121.9 cm), 3-wire cord with grounded 3-prong plug attached to product	
Maximum Amp Usage	1.0 amps	
Surface Element Rating	Left front 18,000 Nat./16,500 LP (BTU) (5.4 Nat./4.9 LP (kw)) Left rear 12,000 Nat./11,000 LP (BTU) (3.6 Nat./3.3 LP (kw)) Center front 12,000 Nat./11,000 LP (BTU) (3.6 Nat./3.3 LP (kw)) Center rear N/A Right front 6,000 Nat./6,000 LP (BTU) (1.8 Nat./1.8 LP (kw)) Right rear 8,000 Nat./7,000 LP (BTU) (2.4 Nat./2.1 LP (kw))	18,000 Nat./16,500 LP (BTU) (5.4 Nat./4.9 LP (kw)) 10,000 Nat./9,000 LP (BTU) (3.0 Nat./2.7 LP (kw)) 12,000 Nat./11,000 LP (BTU) (3.6 Nat./3.3 LP (kw)) 12,000 Nat./11,000 LP (BTU) (3.6 Nat./3.3 LP (kw)) 6,000 Nat./6,000 LP (BTU) (1.8 Nat./1.8 LP (kw)) 8,000 Nat./7,000 LP (BTU) (2.4 Nat./2.1 LP (kw))
Approximate Shipping Weight	67 lb. (30.2 kg)	80 lb. (36.0 kg)

Please do not prepare installation from brochure data only. See installation instructions for important clearance/installation information.



VIKING RANGE, LLC 111 FRONT STREET GREENWOOD, MISSISSIPPI 38930 USA

For detailed product information, model numbers, or to request a quote call 1-888-845-4641 or visit vikingrange.com

© 2018 Viking Range, LLC All rights reserved. Specifications subject to change without notice.