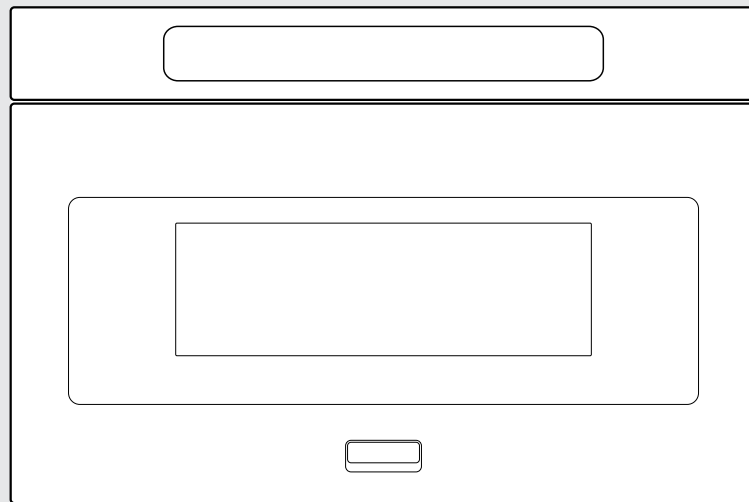


Use & Care Manual



DrawerMicro™ Oven
VMOD5240 / CVMOD5240

Congratulations

Congratulations and welcome to an elite world of ownership. We hope you will enjoy and appreciate the care and attention we have put into every detail of your new, state-of-the-art DrawerMicro Oven.

Your DrawerMicro Oven is designed to offer years of reliable service. This Use and Care Guide will provide you with the information you need to become familiar with your DrawerMicro Oven's care and operation.

Your complete satisfaction is our ultimate goal. If you have any questions or comments about this product, please contact the dealer from whom you purchased it, or contact our Consumer Support Center at 1-888-845-4641.

We appreciate your choice of a our DrawerMicro Oven and hope that you will again select our products for your other major oven needs.

For more information about the complete and growing selection of products, contact your dealer or visit us online at vikingrange.com in the US or brigade.ca in Canada.

Table of Contents

Getting Started	3
Warnings	3
Important Safety Instructions	5
Important—Please Read and Follow	7
About Unpacking and Examining Your DrawerMicro Oven	7
Electrical Grounding Instructions	7
About Your DrawerMicro Oven	7
Cookware Safety	8
Child Safety	9
Food Safety	9
Cooking Safety	10
Before Operating	11
To Set The Clock	11
Stop/Clear	11
Open Or Close DrawerMicro Oven	11
Product Controls	12
Features	12
DrawerMicro Oven Parts	12
Keysheet	12
Operation	13
Control Panel and Settings	13
Time Cooking	13
To Set Power Level	13
Sensor Settings	14
Covering Foods	14
Sensor Popcorn/Sensor Reheat	15
Sensor Cook	15
Defrost	16
Manual Defrost	17
Reheat	18
Beverage Center	18
Melt/Soften/Warm	19

Table of Contents

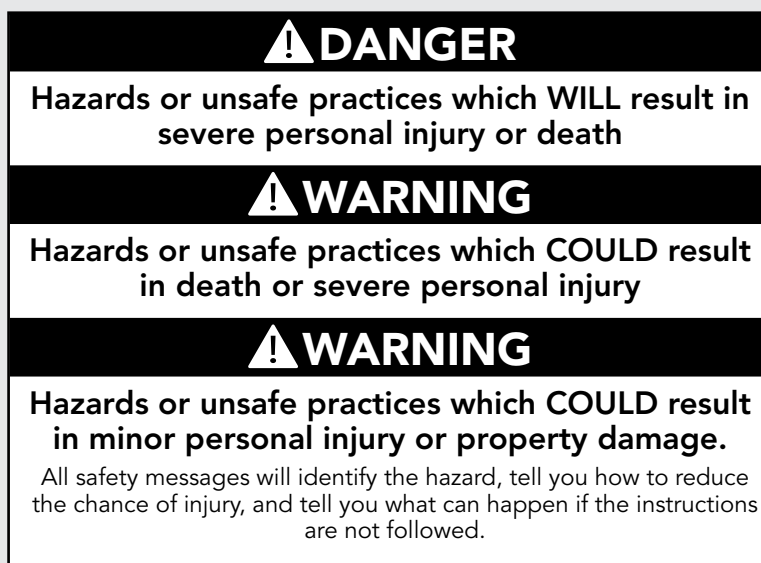
Keep Warm _____	20
Multiple Sequence Cooking _____	20
Add-A-Minute _____	20
More or Less Time Adjustment _____	21
Help (In the display) _____	21
Control Lock _____	21
Setup/Help _____	21
Timer _____	22
Standby Mode _____	22
Product Care _____	23
Cleaning and Maintenance _____	23
Exterior _____	23
Stainless Steel Surface _____	23
Front Side of The Drawer _____	23
Touch Control Panel _____	23
Interior _____	23
Drawer Guides _____	23
Odor Removal _____	23
Waveguide Cover _____	23
Odor Removal _____	23
Before You Call For Service _____	24
Service Information _____	25
Warranty _____	26

Warnings

Warning and Important Safety Instructions appearing in this manual are not meant to cover all possible conditions and situations that may occur. Common sense, caution, and care must be exercised when installing, maintaining, or operating this appliance.

ALWAYS contact the manufacturer about problems or conditions you do not understand.

Recognize Safety Symbols, Words, Labels



Read and follow all instructions before using this appliance

to prevent the potential risk of fire, electric shock, personal injury or damage to the appliance as a result of improper usage of the appliance. Use appliance only for its intended purpose as described in this manual.

To ensure proper and safe operation: Appliance must be properly installed and grounded by a qualified technician.

DO NOT attempt to adjust, repair, service, or replace any part of your appliance unless it is specifically recommended in this manual. All other servicing should be referred to a qualified servicer.

Warnings

PRECAUTIONS TO AVOID POSSIBLE EXPOSURE TO EXCESSIVE MICROWAVE ENERGY

- (a) Do not attempt to operate this oven with the door open since open-door operation can result in harmful exposure to microwave energy. It is important not to defeat or tamper with the safety interlocks.
- (b) Do not place any object between the oven front face and the door or allow soil or cleaner residue to accumulate on sealing surfaces.
- (c) Do not operate the oven if it is damaged. It is particularly important that the oven door close properly and that there is no damage to the: (1) door (bent), (2) hinges and latches (broken or loosened), (3) door seals and sealing surfaces.
- (d) The oven should not be adjusted or repaired by anyone except properly qualified service personnel.

WARNING



Improper use of the grounding plug can result in a risk of electric shock.

IMPORTANT SAFETY INSTRUCTIONS

When using electrical appliances basic safety precautions should be followed, including the following:

WARNING - To reduce the risk of burns, electric shock, fire, injury to persons or exposure to excessive microwave energy:

1. Read all instructions before using the appliance.
2. Read and follow the specific "PRECAUTIONS TO AVOID POSSIBLE EXPOSURE TO EXCESSIVE MICROWAVE ENERGY" on page 4.
3. This appliance must be properly grounded. Connect only to properly grounded outlet. See Grounding Instructions on page 7.
4. Install or locate this appliance only in accordance with the provided Installation Manual.
5. Some products such as whole eggs and sealed containers - for example, closed glass jars—are able to explode and should not be heated in the appliance.
6. Use this appliance only for its intended use as described in this manual. Do not use corrosive chemicals or vapors in this appliance. This appliance is specifically designed to heat, cook or dry food. It is not designed for industrial or laboratory use.
7. As with any appliance, close supervision is necessary when used by children.
8. Do not operate this appliance if it has a damaged cord or plug, if it is not working properly or if it has been damaged or dropped.
9. This appliance should be serviced only by qualified service personnel. Contact nearest Authorized Servicer for examination, repair or adjustment.
10. Do not cover or block any openings on the appliance.
11. Do not store or use this appliance outdoors. Do not use this product near water—for example, near a kitchen sink, in a wet basement, near a swimming pool or similar locations.
12. Do not immerse cord or plug in water.
13. Keep cord away from heated surfaces.
14. Do not climb or sit on the appliance.
15. Do not let cord hang over edge of table or counter.
16. Do not store anything directly on top of the appliance surface when the appliance is in operation.
17. Be sure that fingers or other objects or materials are not around the appliance opening when the appliance is closed.
18. Do not put fingers or clothes around the drawer guides when the appliance is opened or closed. They could be caught in the guides when the appliance is closed.
19. Be sure that the food and container are shorter than the drawer before closing it. You can refer to the height of the side walls of the drawer.
20. When cleaning appliance sealing surfaces that come together on closing the drawer, use only mild, nonabrasive soaps or detergents applied with a sponge or soft cloth. See cleaning instructions on page 23.
21. To reduce the risk of fire in the appliance cavity:
 - a. Do not overcook food. Carefully attend appliance when paper, plastic or other combustible materials are placed inside the appliance to facilitate cooking.
 - b. Remove wire twist-ties from paper or plastic bags before placing bag in appliance.
 - c. If materials inside the appliance ignite, keep appliance door closed, turn microwave off and shut off power at the fuse or circuit breaker panel.
 - d. Do not use the appliance for storage purposes. Do not leave paper products, cooking utensils, or food in the appliance when not in use.

IMPORTANT SAFETY INSTRUCTIONS

22. Liquids, such as water, coffee or tea are able to be overheated beyond the boiling point without appearing to be boiling due to surface tension of the liquid. Visible bubbling or boiling when the container is removed from the appliance is not always present. THIS COULD RESULT IN VERY HOT LIQUIDS SUDDENLY BOILING OVER WHEN A SPOON OR OTHER UTENSIL IS INSERTED INTO THE LIQUID.

To reduce the risk of injury to persons:

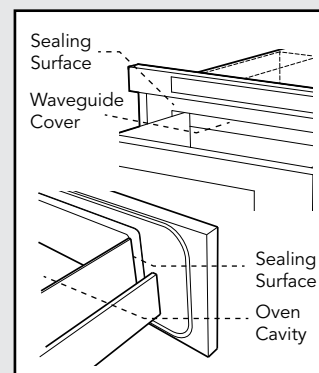
- a. Do not overheat the liquid.
 - b. Stir the liquid both before and halfway through heating it.
 - c. Do not use straight-sided containers with narrow necks. Use a wide-mouthed container.
 - d. After heating, allow the container to stand in the appliance at least for 20 seconds before removing the container.
 - e. Use extreme care when inserting a spoon or other utensil into the container.
23. If the appliance light fails, consult a **AUTHORIZED SERVICER**.

SAVE THESE INSTRUCTIONS

IMPORTANT – Please Read and Follow

About Unpacking and Examining Your DrawerMicro Oven

1. Remove all packing materials from inside the DrawerMicro Oven. **DO NOT REMOVE THE WAVEGUIDE COVER**, which is located on the top of the DrawerMicro Oven.
2. Remove the feature sticker, if there is one. Check the drawer for any damage, such as misaligned or bent drawer, damaged drawer seals and sealing surfaces, broken or loose drawer guides and dents inside the cavity or on the front side of the drawer. If there is any damage, do not operate the DrawerMicro Oven and contact your **AUTHORIZED SERVICER**.

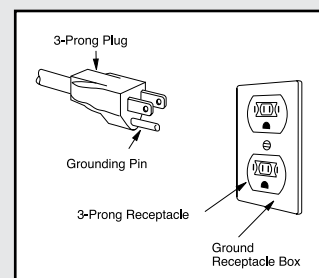


ELECTRICAL GROUNDING INSTRUCTIONS

This appliance must be grounded. The oven is equipped with a cord having a grounding wire with a grounding plug. It must be plugged into a wall receptacle that is properly installed and grounded in accordance with the National Electrical Code and local codes and ordinances. In the event of an electrical short circuit, grounding reduces risk of electric shock by providing an escape wire for the electric current.

⚠ WARNING

Improper use of the grounding plug can result in a risk of electric shock.



DO NOT USE AN EXTENSION CORD. IF THE POWER SUPPLY CORD IS TOO SHORT, HAVE A QUALIFIED ELECTRICIAN OR SERVICEMAN INSTALL AN OUTLET NEAR THE APPLIANCE.

If you have any questions about the grounding or electrical instructions, consult a qualified electrician or service person.

NOTE:

- If you have any questions about the grounding or electrical instructions, consult a qualified electrician or serviceperson.
- Neither Viking Range, LLC nor the dealer can accept any liability for damage to the oven or personal injury resulting from failure to observe the correct electrical connection procedures.

Radio or TV Interference

Should there be any interference caused by the DrawerMicro Oven to your radio or TV, check that the DrawerMicro Oven is on a different electrical circuit, relocate the radio or TV as far away from the oven as feasible or check position and signal of receiving antenna.

About Your DrawerMicro Oven

ALWAYS have food in the DrawerMicro Oven when it is on to absorb the microwave energy.

The vent under the DrawerMicro Oven must not be blocked. During microwaving, steam may come from the right side of the vent.

When using the DrawerMicro Oven at power levels below 100%, you may hear the magnetron cycling on and off. It is normal for the exterior of the DrawerMicro Oven to be warm to the touch when cooking or reheating.

Condensation is a normal part of microwave cooking. Room humidity and the moisture in food will influence the amount of moisture that condenses in the DrawerMicro Oven. Generally, covered foods will not cause as much condensation as uncovered ones.

The DrawerMicro Oven is for food preparation only. It should not be used to dry clothes or newspapers.

Your DrawerMicro Oven is rated 950 watts by using the IEC Test Procedure. In using recipes or package directions, check food a minute or two before the minimum time and add time accordingly.

When opening or closing the DrawerMicro Oven quickly, food in the DrawerMicro Oven may be spilled. To clean, please refer to the Cleaning and Care section on page 23.

IMPORTANT – Please Read and Follow

Cookware Safety

- Use dry, sturdy pot-holders. Damp pot-holders may cause burns from steam. Dishtowels or other substitutes should **NEVER** be used as potholders because they can trail across hot surface elements and ignite or get caught on appliance parts.
- **DO NOT** heat unopened food containers; buildup of pressure may cause the container to explode and result in injury.
- Use care when opening the microwave drawer. Let hot air or steam escape before removing or replacing food.
- **PREPARED FOOD WARNING:** Follow food manufacturer's instructions. If a plastic frozen food container and/or its cover distorts, warps, or is otherwise damaged during cooking, immediately discard the food and its container. The food could be contaminated.

It is not necessary to buy all new cookware. Many pieces already in your kitchen can be used successfully in your new DrawerMicro Oven. Make sure the utensil does not touch the interior walls during cooking.

Use these utensils for safe microwave cooking and reheating:

- glass ceramic (Pyroceram®), such as Corningware®.
- heat-resistant glass (Pyrex®)
- microwave-safe plastics
- microwave-safe paper plates
- microwave-safe pottery, stoneware and porcelain
- browning dish (Do not exceed recommended preheating time. Follow manufacturer's directions.)

These items can be used for short time reheating of foods that have little fat or sugar in them:

- wood, straw, wicker

DO NOT USE:

- metal pans and bakeware (cookie sheets / brownie pans)
- dishes with metallic trim
- non-heat-resistant glass
- non-microwave-safe plastics (margarine tubs)
- recycled paper products
- brown paper bags
- food storage bags
- metal twist-ties

Should you wish to check if a dish is safe for microwaving, place the empty dish in the oven and microwave on HIGH for 30 seconds. A dish which becomes very hot should not be used.

The following coverings are ideal:

- Paper towels are good for covering foods for reheating and absorbing fat while cooking bacon.
- Wax paper can be used for cooking and reheating.
- Plastic wrap that is specially marked for microwave use can be used for cooking and reheating. **DO NOT** allow plastic wrap to touch food. Vent so steam can escape.
- Lids that are microwave-safe are a good choice because heat is kept near the food to hasten cooking.
- Oven cooking bags are good for large meats or foods that need tenderizing. **DO NOT** use metal twist ties. Remember to slit bag so steam can escape.

How to use aluminum foil in your DrawerMicro Oven:

- Small flat pieces of aluminum foil placed smoothly on the food can be used to shield areas that are either defrosting or cooking too quickly.
- Foil should not come closer than one inch to any surface of the DrawerMicro oven.

Should you have questions about utensils or coverings, check a good microwave cookbook or follow recipe suggestions.

IMPORTANT – Please Read and Follow

Accessories

There are many microwave accessories available for purchase. Evaluate carefully before you purchase so that they meet your needs. A microwave-safe thermometer will assist you in determining correct doneness and assure you that foods have been cooked to safe temperatures. Viking Range, LLC is not responsible for any damage to the DrawerMicro Oven when accessories are used.

Child Safety

- Children below the age of 7 should use the DrawerMicro Oven with a supervising person very near to them. Between the ages of 7 and 12, the supervising person should be in the same room. The child must be able to reach the DrawerMicro Oven comfortably.
- At no time should anyone be allowed to lean or swing on the DrawerMicro Oven.
- Children should be taught all safety precautions: use potholders, remove coverings carefully, pay special attention to packages that crisp food because they may be extra hot.
- Don't assume that because a child has mastered one cooking skill he/she can cook everything.
- Children need to learn that the DrawerMicro Oven is not a toy. See page 21 for Control Lock feature.

Food Safety

- Arrange food carefully. Place thickest areas towards outside of dish.
- Watch cooking time. Cook for the shortest amount of time indicated and add more as needed. Food severely overcooked can smoke or ignite.
- Cover foods while cooking. Check recipe or cookbook for suggestions: paper towels, wax paper, microwave plastic wrap or a lid. Covers prevent spattering and help foods to cook evenly.
- Shield with small flat pieces of aluminum foil any thin areas of meat or poultry to prevent overcooking before dense, thick areas are cooked thoroughly.
- Stir foods from outside to center of dish once or twice during cooking, if possible.
- Turn foods over once during microwaving to speed cooking of such foods as chicken and hamburgers. Large items like roasts must be turned over at least once.
- Rearrange foods such as meatballs halfway through cooking both from top to bottom and from right to left.
- Add standing time. Remove food from DrawerMicro Oven and stir, if possible. Cover for standing time which allows the food to finish cooking without overcooking.
- Check for doneness. Look for signs indicating that cooking temperatures have been reached.

Doneness signs include:

- Food steams throughout, not just at edge.
- Center bottom of dish is very hot to the touch.
- Poultry thigh joints move easily.
- Meat and poultry show no pinkness.
- Fish is opaque and flakes easily with a fork.

IMPORTANT – Please Read and Follow

About Foods

Food	Do	Don't
Eggs, sausages, nuts, seeds, fruits & vegetables	<ul style="list-style-type: none"> Puncture egg yolks before cooking to prevent "explosion". Pierce skins of potatoes, apples, squash, hot dogs and sausages so that steam escapes. 	<ul style="list-style-type: none"> Cook eggs in shells. Reheat whole eggs. Dry nuts or seeds in shells.
Popcorn	<ul style="list-style-type: none"> Use specially bagged popcorn for the microwave. Listen while popping corn for the popping to slow to 1 or 2 seconds or use special Sensor Popcorn pad. 	<ul style="list-style-type: none"> Pop popcorn in regular brown bags or glass bowls. Exceed maximum time on popcorn package.
Baby food	<ul style="list-style-type: none"> Transfer baby food to small dish and heat carefully, stirring often. Check temperature before serving. Put nipples on bottles after heating and shake thoroughly. "Wrist" test before feeding. 	<ul style="list-style-type: none"> Heat disposable bottles. Heat bottles with nipples on. Heat baby food in original jars.
General	<ul style="list-style-type: none"> Cut baked goods with filling after heating to release steam and avoid burns. Stir liquids briskly before, during and after heating to avoid "eruption". Use deep bowl, when cooking liquids or cereals, to prevent boilovers. Food should be shorter than the DrawerMicro Oven. Please refer to the height of side walls of the drawer. 	<ul style="list-style-type: none"> Heat or cook in closed glass jars or air tight containers. Can in the microwave as harmful bacteria may not be destroyed. Deep fat fry. Dry wood, gourds, herbs or wet papers.

Cooking Safety

Check foods to see that they are cooked to the United States Department of Agriculture's recommended temperatures.

Temp	Food
145°F (63°C)	Fish
160°F (71°C)	Pork, ground beef/veal/lamb, egg dishes
165°F (74°C)	For leftover, ready-to-reheat refrigerated, and deli and carry-out "fresh" food. Whole, pieces and ground turkey/chicken/duck.
170°F (74°C)	White meat of poultry.
180°F (74°C)	Dark meat of poultry.

To test for doneness, insert a meat thermometer in a thick or dense area away from fat or bone. **NEVER** leave the thermometer in the food during cooking, unless it is approved for microwave use.

- ALWAYS** use potholders to prevent burns when handling utensils that are in contact with hot food. Enough heat from the food can transfer through utensils to cause skin burns.
- Avoid steam burns by directing steam away from the face and hands. Slowly lift the farthest edge of a dish's covering and carefully open popcorn and oven cooking bags away from the face.
- Stay near the DrawerMicro Oven while it is in use and check cooking progress frequently so that there is no chance of overcooking food.
- NEVER** use the oven for storing cookbooks or other items.
- Select, store and handle food carefully to preserve its high quality and minimize the spread of foodborne bacteria.
- Keep waveguide cover clean. Food residue can cause arcing and/or fires.

Before Operating

Before operating your new DrawerMicro Oven make sure you read and understand this Use and Care Guide completely.

The following steps **MUST** be taken before any functions can be used. **Before you use the DrawerMicro Oven:**

1. Plug in the DrawerMicro Oven. **ENJOY YOUR MICRO-WAVE TOUCH CLEAR AND TOUCH CLOCK** will appear.
2. Touch the Stop/Clear pad. **:** will appear.
3. Set clock.

To Set The Clock

1. Touch Timer/Clock pad and number **2**.
2. Enter the correct time of day by touching the numbers in sequence. Touch Timer/Clock pad.

This is a 12 hour clock. If you attempt to enter an incorrect clock time, **ERROR** will appear in the display. Touch the Stop/Clear pad and re-enter the time.

- If the electrical power supply to your DrawerMicro Oven should be interrupted, the display will intermittently show **ENJOY YOUR MICRO-WAVE TOUCH CLEAR AND TOUCH CLOCK** after the power is reinstated. If this occurs during cooking, the program will be erased. The time of day will also be erased. Simply touch Stop/Clear pad and reset the clock for the correct time of day.

Stop/Clear

Touch the Stop/Clear pad to:

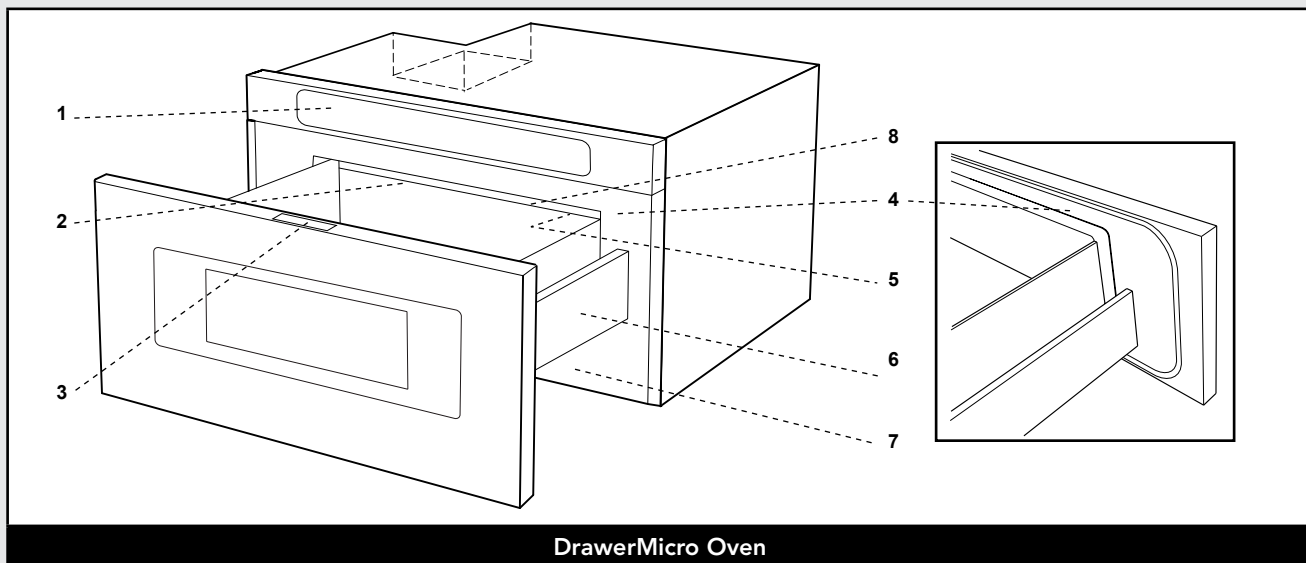
1. Erase if you make a mistake during programming.
2. Cancel timer.
3. Stop the oven temporarily during timed cooking.
4. Return the time of day to the display.
5. Cancel a program during cooking, touch twice.

Open Or Close DrawerMicro Oven

Always Touch the OPEN or CLOSE pad on the control panel to open or close the DrawerMicro Oven.

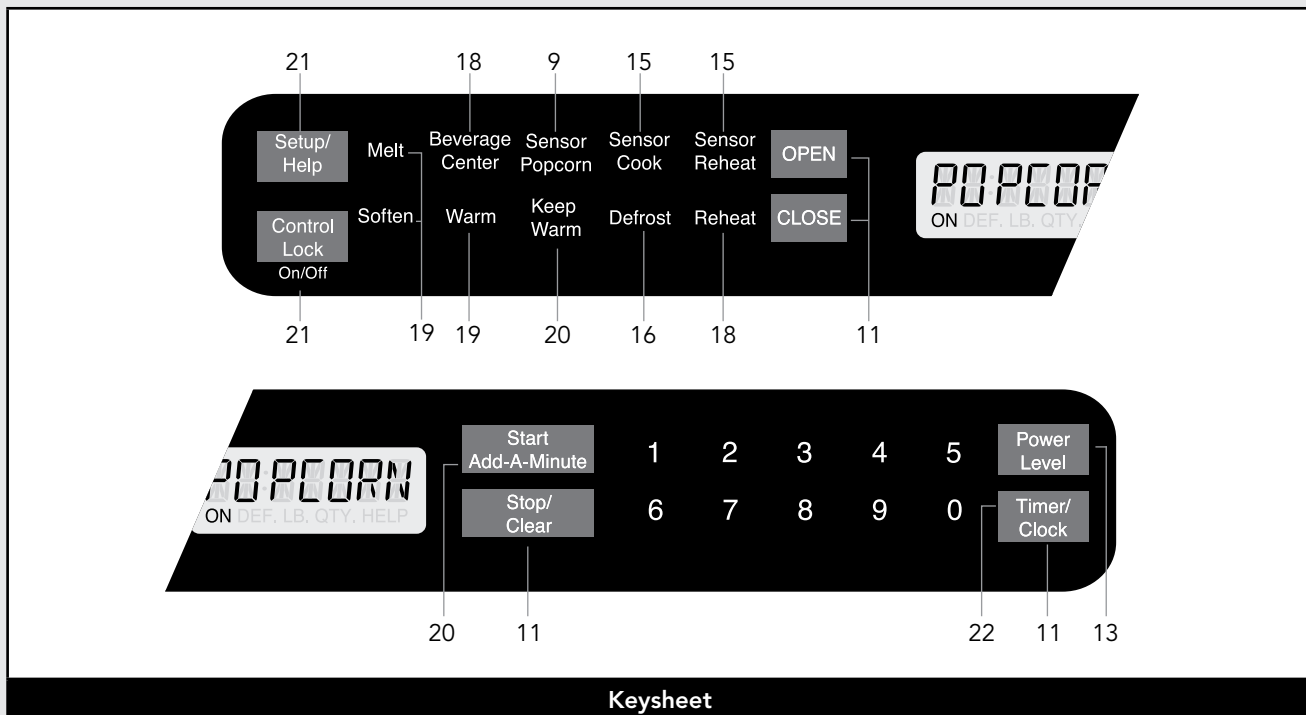
Do not push or pull the drawer by hand, except in case of emergency, such as a power failure. If necessary, push or pull slowly.

Features



DrawerMicro Oven

- | | |
|---------------------------------|---|
| 1 Control panel | 6 DrawerMicro Oven guides |
| 2 Waveguide cover DO NOT REMOVE | 7 Vent |
| 3 DrawerMicro Oven Menu Label | 8 Name plate: open the DrawerMicro Oven fully. The label is beyond the back wall of the microwave cavity facing up from the flat surface. |
| 4 Drawer sealing surfaces | |
| 5 Drawer light | |



Keysheet

Numbers next to the keysheet illustration indicate pages on which there are feature descriptions and usage information.

Control Panel and Settings

Time Cooking

Your DrawerMicro Oven can be programmed for 99 minutes 99 seconds (99.99). Always enter the seconds after the minutes, even if they are both zeros.

- **Cook for 5 minutes at 100%**

1. Enter cooking time **5|0|0**.
2. Touch Start/Add-A-Minute pad.

To Set Power Level

There are eleven preset power levels.

Using lower power levels increases the cooking time, which is recommended for foods such as cheese, milk and long slow cooking of meats. Consult a microwave cookbook or recipes for specific recommendations.

- **Defrost for 5 minutes at 30%**

1. Enter defrost time **5|0|0**.
2. Touch Power Level 8 times.
3. Touch Start/Add-A-Minute.

Touch Power Level pad number of times for desired power	Approximate percentage of power	Common words for power levels
Power Level x 1	100%	High
Power Level x 2	90%	
Power Level x 3	80%	
Power Level x 4	70%	Medium High
Power Level x 5	60%	
Power Level x 6	50%	Medium
Power Level x 7	40%	
Power Level x 8	30%	Med Low/Defrost
Power Level x 9	20%	
Power Level x 10	10%	Low
Power Level x 11	0%	

Control Panel and Settings

Sensor Settings

Sensor is a semi-conductor device that detects the vapor (moisture and humidity) emitted from the food as it heats. The sensor adjusts the cooking times and power levels for various foods and quantities.

- After the oven is plugged in, wait 2 minutes before using any sensor setting.
- Be sure the exterior of the cooking container and the interior of the oven are dry. Wipe off any moisture with a dry cloth or paper towel.
- The sensor works with foods at normal storage temperature. For example, popcorn would be at room temperature.
- Any sensor selection can be programmed with More or Less Time Adjustment. See page 21.
- More or less food than the quantity listed in the charts should be cooked following the guidelines in any microwave cookbook.
- During the first part of sensor use, the food name will appear on the display. Do not open the oven or touch Stop/Clear during this part of the cycle. The measurement of vapor will be interrupted. If this occurs, an error message will appear. To continue cooking, touch the Stop/Clear pad and cook manually.

When the sensor detects the vapor emitted from the food, the remainder of cooking/reheating time will appear. The oven may be opened when the remaining time appears on the display. At this time, you may stir or season food, as desired.

- Except for Popcorn, if the sensor does not detect vapor properly when cooking other foods, **ERROR** will be displayed, and the microwave will turn off.
- Check food temperature after cooking. If additional time is needed, continue to cook manually.
- Each food has a cooking hint. Touch the Set Up/Help pad when the HELP indicator is lighted in the display.

Covering Foods

Some foods work best when covered. Use the cover recommended in the charts for these foods. You may refer to the hints by touching the Set Up/Help pad. See page 21.

- Casserole lid
- Plastic wrap: Use plastic wrap recommended for microwave cooking. Cover dish loosely; allow approximately 1/2 inch to remain uncovered to allow steam to escape. Plastic wrap should not touch food.
- Wax paper: Cover dish completely. Fold excess wrap under dish to secure. If dish is wider than paper, overlap two pieces at least one inch to cover.

Be careful when removing any covering to allow steam to escape away from you.

Control Panel and Settings

Sensor Popcorn / Sensor Reheat

You can pop popcorn and reheat many foods and don't need to calculate cooking time or power level.

Touch Sensor Reheat or Sensor Popcorn and Start/Add-A-Minute pad.

When the sensor detects the vapor emitted from the food, the remainder of cooking/reheating time will appear.

NOTE:

- The Sensor Popcorn setting has 2 choices. Follow directions in the display to choose desired option.

Sensor Popcorn / Sensor Reheat Chart

Food	Amount	Procedure
Sensor Popcorn	Only 1 package at a time 2.85 - 3.5 oz. (Regular / Regular light) 1.2 - 1.75 oz. (Mini / Snack)	Use only popcorn packaged for the microwave. Try several brands to decide which you like. Do not try to pop unpopped kernels. Touch Sensor Popcorn pad once. Touch Sensor Popcorn pad twice.
Sensor Reheat	4 - 36 oz	Place in dish or casserole slightly larger than amount to be reheated. Flatten, if possible. Cover with lid, plastic wrap or wax paper. Use covers such as plastic wrap or lids with larger quantities of more dense foods such as stews. After reheating, stir well, if possible. Re-cover and allow to stand 2 to 3 minutes. Foods should be very hot. If not, continue to heat with variable power and time.

Sensor Cook

- Touch Sensor Cook pad once.
- See Menu Label. Select desired food by touching number pad. Ex: Touch for baked potatoes.
- Touch Start/Add-A-Minute pad.

NOTE:

- To heat or cook other foods or foods above or below the quantity allowed on the Sensor Cook Chart, cook manually.

Sensor Cook Chart

Food	Amount	Procedure
1. Fresh vegetables: Quick Broccoli Brussels sprouts Cabbage Cauliflower (flowerets) Cauliflower (whole) Spinach Zucchini Baked apples	.25 - 2.0 lb. .25 - 2.0 lb. .25 - 2.0 lb. .25 - 2.0 lb. 1 med. .25 - 1.0 lb. .25 - 2.0 lb. 2 - 4 med.	Wash and place in casserole. Add no water if vegetables have just been washed. Cover with lid for tender vegetables. Use plastic wrap for tender-crisp vegetables. After cooking, stir, if possible. Let stand, covered, for 2 to 5 minutes.
2. Fresh vegetables: Longer Carrots, sliced Corn on the cob Green beans Winter squash: diced halves	.25 - 1.5 lb. 2 - 4 .25 - 1.5 lb. .25 - 1.5 lb. 1 - 2	Place in casserole. Add 1-4 tablespoons water. Cover with lid for tender vegetables. Use plastic wrap cover for tender-crisp vegetables. After cooking, stir, if possible. Let stand, covered, for 2 to 5 minutes.

Control Panel and Settings

Sensor Cook Chart (cont.)

Food	Amount	Procedure															
3. Frozen vegetables	.25 - 1.25 lb.	Add no water. Cover with lid or plastic wrap. After cooking, stir and let stand, covered, for 3 minutes.															
4. Frozen entrees	6 - 17 oz.	Use this pad for frozen convenience foods. It will give satisfactory results for most brands. You may wish to try several and choose your favorite. Remove package from outer wrapping and follow package directions for covering. After cooking, let stand, covered, for 1-3 minutes															
5. Baked potatoes 6. Sweet potatoes	1 - 6 med. 1 - 6 med.	Pierce. Place on paper-towel-lined DrawerMicro Oven. After cooking, remove from microwave, wrap in aluminum foil and let stand 5 to 10 minutes.															
7. Ground meat	.25 - 2.0 lb.	Use this setting to cook ground beef or turkey as patties or in a casserole to be added to other ingredients. Place patties on a microwave-safe rack and cover with wax paper. Place ground meat in a casserole and cover with wax paper or plastic wrap. When microwave stops, turn patties over or stir meat in casserole to break up large pieces. Re-cover and touch Start/Add-A-Minute. After cooking, let stand, covered, for 2 to 3 minutes.															
8. Fish/Seafood	.25 - 2.0 lb.	Arrange in ring around shallow glass dish (roll fillet with edges underneath). Cover with vented plastic wrap. After cooking, let stand, covered for 3 minutes.															
9. White rice 10. Brown rice	.5 - 2.0 cups .5 - 2.0 cups	Place rice into a deep casserole and add double quantity of water. Cover with lid or plastic wrap. After cooking, stir, cover and let stand 3 to 5 minutes or until all liquid has been absorbed. <table border="1" style="margin-left: auto; margin-right: auto;"> <thead> <tr> <th>Rice</th> <th>Water</th> <th>Size of casserole</th> </tr> </thead> <tbody> <tr> <td>.5 cup</td> <td>1 cup</td> <td>1.5 quart</td> </tr> <tr> <td>1 cup</td> <td>2 cups</td> <td>2 quart</td> </tr> <tr> <td>1.5 cups</td> <td>3 cups</td> <td>2.5 or 3 quart</td> </tr> <tr> <td>2 cups</td> <td>4 cups</td> <td>3 quart or larger</td> </tr> </tbody> </table>	Rice	Water	Size of casserole	.5 cup	1 cup	1.5 quart	1 cup	2 cups	2 quart	1.5 cups	3 cups	2.5 or 3 quart	2 cups	4 cups	3 quart or larger
Rice	Water	Size of casserole															
.5 cup	1 cup	1.5 quart															
1 cup	2 cups	2 quart															
1.5 cups	3 cups	2.5 or 3 quart															
2 cups	4 cups	3 quart or larger															

Defrost

Use this feature to defrost the foods shown in the Defrost Chart below.

1. Touch Defrost pad.
2. See Menu Label. Select desired food by touching the number pad. Ex: Touch for steaks/chops.
3. Enter weight by touching number keys.
4. Touch Start/Add-A-Minute pad.
The oven will stop so that the food can be checked.
5. After the first stage, open the DrawerMicro Oven. Turn steak over and shield any warm portions. Close the DrawerMicro Oven. Touch Start/Add-A-Minute pad.
6. After the second stage, open the DrawerMicro Oven. Shield any warm portions. Close the DrawerMicro Oven. Touch Start/Add-A-Minute pad.
7. After defrost cycle ends, cover and let stand as indicated in the chart on page 17.

Control Panel and Settings

NOTE:

- Defrost can be programmed with More or Less Time Adjustment. See page 21.
- To defrost other foods or foods above or below the weights allowed on the Defrost Chart, see Manual Defrost below.
- Check foods when oven signals. After final stage, small sections may still be icy. Let stand to continue thawing. Do not cook until all ice crystals are thawed.
- Shielding prevents cooking from occurring before the center of the food is defrosted. Use small smooth strips of aluminum foil to cover edges and thinner sections of the food.

Defrost Chart

Food	Amount	Procedure
1. Ground Meat	.5 - 2.0 lb.	Pull apart and remove any thawed pieces after each stage. Let stand, covered, for 5 to 10 minutes.
2. Steaks/ chops	.5 - 3.0 lb.	After each stage, rearrange and if there are warm or thawed portions, shield with small flat pieces of aluminum foil. Remove any meat or fish that is nearly defrosted. Let stand, covered, for 10 to 20 minutes.
3. Boneless poultry	.5 - 2.0 lb.	Use boneless breast of chicken or turkey. After each stage, if there are warm or thawed portions, rearrange or remove. Let stand, covered, for 10 to 20 minutes.
4. Bone-in poultry	.5 - 3.0 lb.	Arrange pieces with meatiest portions toward outside of glass dish or microwave safe rack. After each stage, if there are warm or thawed portions, rearrange or remove. Let stand, covered, for 10 to 20 minutes.
5. Roast	2.0 - 4.0 lb	Start defrosting with fat side down. After each stage, turn roast over and shield the warm portions with aluminum foil. Let stand, covered, for 30 to 60 minutes.

Manual Defrost

If the food that you wish to defrost is not listed on the Defrost Chart or is above or below the limits in the amount column on the Defrost Chart, you need to defrost manually.

You can defrost any frozen food, either raw or previously cooked, by using Power Level at 30%. Follow the exact 3-step procedure found under To Set Power Level on page 13. Estimate defrosting time and Touch Power Level pad eight times for 30% power.

For either raw or previously cooked frozen food the rule of thumb is approximately 4 minutes per pound. For example, defrost 4 minutes for 1 pound of frozen spaghetti sauce.

Always stop the oven periodically to remove or separate the portions that are defrosted. If food is not defrosted at the end of the estimated defrosting time, program the oven in 1 minute increments on Power Level 30% until totally defrosted.

When using plastic containers from the freezer, defrost only long enough to remove from the plastic in order to place in a microwave-safe dish.

Control Panel and Settings

Reheat

Reheat automatically computes the correct warming time and microwave power level for foods shown in the chart below.

1. Touch Reheat pad once.
2. See Menu Label. Select desired food by touching number pad. Ex: Touch for frozen rolls or muffins.
3. Touch the number pad to select quantity. Ex: Touch for 2 rolls or muffins.
4. Touch Start/Add-A-Minute pad.

NOTE:

- Reheat can be programmed with More or Less Time Adjustment. See page 21.
- To reheat other foods or foods above or below the quantity allowed on the Reheat Chart, heat manually.

Reheat Chart

Food	Amount	Procedure
1. Fresh Rolls/ Muffins	1 - 8 pcs	Use this pad to warm rolls, muffins, biscuits, bagels etc. Large items should be considered as 2 or 3 regular size. Arrange on plate; cover with paper towel. For refrigerated rolls or muffins, it may be necessary to double the entered amount to ensure the proper serving temperature. For example, enter quantity of 2 for 1 refrigerated muffin.
2. Frozen Rolls/ Muffins	1 - 8 pcs	Use this pad to warm frozen rolls, muffins, biscuits, bagels etc. Large items should be considered as 2 or 3 regular size. Arrange on plate; cover with paper towel.

Beverage Center

Beverage Center enables you to reheat coffee or tea to restore to a more suitable drinking temperature or to make instant coffee or tea.

1. Touch Beverage Center pad once.
2. See Menu Label. Select desired selection by touching number pad. Ex: Touch to make coffee.
3. Repeating touching same number pad to select quantity. Ex: Touch two more times for 2 cups of coffee.
4. Touch Start/Add-A-Minute pad.

NOTE:

- Beverage Center can be programmed with More or Less Time Adjustment. See page 21.
- Should you attempt to enter more or less than the allowed amount, an error message will appear in the display.

Beverage Center Chart

Food	Amount	Procedure
1. Reheat beverage	.5 - 2.0 cups	This setting for good for restoring cooled beverage to a better drinking temperature. Touch number <input type="button" value="1"/> pad for a 0.5 cup increase per touch. Stir after heating.
2. Hot water	1 - 6 cups	Use this setting for heating COLD TAP WATER to a temperature somewhat below the boiling point to make instant coffee or tea. Touch number 2 pad for 1 cup increase per touch. Stir liquid briskly before and after heating to avoid "eruption".

Control Panel and Settings

Melt/Soften/Warm

Melt, Soften and Warm automatically compute the correct heating time and microwave power level for melting, softening and warming foods shown in the chart below.

1. Touch Melt pad once.
2. See Menu Label. Select desired food by touching number pad. Ex: Touch for chocolate.
3. Repeat touching same number pad to select quantity. Ex: Touch two more times for 1 square.
4. Touch Start/Add-A-Minute pad.

NOTE:

- Melt, Soften and Warm can be programmed with More or Less Time Adjustment. See page 21.
- To melt, soften or warm other food or foods above or below the quantity allowed on the MELT/SOFTEN/WARM CHART, use manual operation.

Melt/Soften/Warm Chart

Food	Amount	Procedure
Melt 1. Butter 2. Chocolate	2 tbsp .5 cup 1 cup chips 1 square	Use a Pyrex measuring cup. Cover with plastic wrap. After touching Melt, touch <input type="button" value="1"/> two times for 2 tbsp. After touching Melt, touch <input type="button" value="1"/> three times for .5 cup. After touching Melt, touch <input type="button" value="2"/> two times for 1 cup chips. After touching Melt, touch <input type="button" value="2"/> three times for 1 square.
Soften 1. Ice cream 2. Cream cheese	1 pint .5 gallon 3 oz. 8 oz.	DO NOT COVER. After touching Soften, touch <input type="button" value="1"/> two times for 1 pint. After touching Soften, touch <input type="button" value="1"/> three times for .5 gallon. After touching Soften, touch <input type="button" value="2"/> two times for 3 oz. After touching Soften, touch <input type="button" value="2"/> three times for 8 oz.
Warm 1. Syrup 2. Dessert toppings	1/4 cup 1/2 cup 1/4 cup 1/2 cup	Use a Pyrex measuring cup. DO NOT COVER. After touching Warm, touch <input type="button" value="1"/> two times for 1/4 cup. After touching Warm, touch <input type="button" value="1"/> three times for 1/2 cup. After touching Warm, touch <input type="button" value="2"/> two times for 1/4 cup. After touching Warm, touch <input type="button" value="2"/> three times for 1/2 cup.

Control Panel and Settings

Keep Warm

Keep Warm allows you to keep food warm up to 30 minutes.

Direct use

1. Touch Keep Warm pad.
2. Enter desired time by touching the number keys. To enter 30 minutes, touch .
3. Touch Start/Add-A-Minute pad.

The oven will start. The display will show and count down. will be displayed intermittently during the count down.

With Manual Cooking

1. Enter desired cooking time and power level.
2. Touch Keep Warm pad.
3. Enter desired warming time up to 30 minutes.
4. Touch Start/Add-A-Minute pad.

The operation will start. When the cooking time is complete, a long tone will sound and Keep Warm will start. The display will count down. will be displayed intermittently during the count down.

NOTE:

- If you attempt to enter more than 30 minutes for Keep Warm, an error message will appear in the display.
- Keep Warm cannot be programmed with Sensor Popcorn, Sensor Reheat, Sensor Cook, Defrost or Reheat.

Multiple Sequence Cooking

Your DrawerMicro Oven can be programmed for up to 4 automatic cooking sequences, switching from one power level setting to another automatically.

Sometimes cooking directions tell you to start on one power level and then change to a different power level. Your DrawerMicro Oven can do this automatically.

1. First enter cooking time. Then touch Power Level pad once for 100% cooking or repeat touching Power Level pad for a lower power level.
2. Enter second cooking time. Repeat touching Power Level pad for desired level. You can follow this procedure up to 4 times.
3. Touch Start/Add-A-Minute pad.

NOTE:

- If Power Level pad is touched once, will be displayed.
- If 100% is selected as the final sequence, it is not necessary to touch the Power Level pad.
- If you wish to know power level during cooking, simply touch the Power Level pad. As long as your finger is touching the Power Level pad, the power level will be displayed.
- Keep Warm can be programmed even if 4 cooking sequences have been set.

Add-A-Minute

Add-A-Minute allows you to cook for a minute at 100% by simply touching the Add-A-Minute pad. You can also extend cooking time in multiples of 1 minute by repeatedly touching the Add-A-Minute pad during manual cooking.

NOTE:

- To use Add-A-Minute, touch pad within 3 minutes after cooking, closing the drawer or touching the Stop/Clear pad.
- Add-A-Minute cannot be used with Sensor settings, Reheat or Defrost.

Control Panel and Settings

More or less time adjustment

Should you discover that you like any of the Sensor, Reheat or Defrost settings slightly more done, touch the Power Level pad once after touching your selection. The display will show **MORE** .
For slightly less done, touch the Power Level pad twice after touching your selection. The display will show **LESS** .

Help (In the display)

Each setting of Sensor Reheat, Sensor Cook, Sensor Popcorn, Keep Warm, Reheat and Defrost has a cooking hint. If you wish to check, touch Set Up/Help whenever HELP is lighted in the Interactive Display for these and other manual operation hints.

Control lock

The Control Lock prevents unwanted drawer operation such as by small children. The DrawerMicro Oven can be set so that the control panel and the automatic door mechanism are deactivated or locked.

TO LOCK

Touch Control Lock pad and hold for 3 seconds. The display shows **LOCK ON** .

TO UNLOCK

Touch Control Lock pad and hold for 3 seconds. The display shows **LOCK** **OFF** .

The Control Lock is canceled when the electrical power supply to your oven is interrupted. Set the Control Lock again when power to the oven is restored.

Setup/Help

If the electrical power supply to your DrawerMicro Oven should be interrupted, the display will intermittently show **ENJOY YOUR MICRO- WAVE TOUCH CLEAR AND TOUCH CLOCK** after the power is reinstated. If this occurs, the Setup/Help option you input will be erased. Simply touch Stop/Clear pad and reset.

AUDIBLE SIGNAL ELIMINATION

At the end of timed cook, beeps will sound. The audible signal can be turned off if you prefer quiet operation.

TO TURN SOUND OFF

1. Touch Setup/Help pad. **TOUCH** **AGAIN**
2. Touch Setup/Help pad again. **SOUND** **OFF ?** **TOUCH** **START**
3. Touch Start/Add-A-Minute pad. The display shows **SOUND** **OFF**

TO RESTORE SOUND

1. Touch Setup/Help pad. **TOUCH** **AGAIN**
2. Touch Setup/Help pad again. **SOUND** **ON ?** **TOUCH** **START**
3. Touch Start/Add-A-Minute pad. The display shows **SOUND** **ON**

END OF COOKING REMINDER

At end of timed cooking, the microwave will signal every 10 seconds for the first minute; then every 3 minutes until Stop/Clear pad is touched, up to one hour.

TO TURN REMINDER OFF

1. Touch Setup/Help pad three times. The display shows **REMINO** **SIGNAL** **OFF ?** **TOUCH** **START** .
2. Touch Start/Add-A-Minute pad. The display shows **REMINO** **SIGNAL** **OFF** .

TO TURN REMINDER SIGNAL BACK ON

1. Touch Setup/Help pad three times. The display shows **REMINO** **SIGNAL** **ON ?** **TOUCH** **START** .
2. Touch Start/Add-A-Minute pad. The display shows **REMINO** **SIGNAL** **ON** .

Control Panel and Settings

AUTO START

If you wish to program the DrawerMicro Oven to begin cooking automatically at a designated time of day, follow this procedure.

1. Touch Setup/Help pad 4 times. The display shows **AUTO** **START** **TOUCH** **START**
2. Touch Start/Add-A-Minute pad. **ENTER** **START** **TIME**
3. Enter start time. **4:30** **TOUCH** **CLOCK**
4. Touch Timer/Clock pad. **ENTER** **COOKING** **TIME**
5. Touch the number keys to enter cooking time. **20:00** **TOUCH** **START** **OR** **TOUCH** **POWER** **LEVEL**
Touch Power Level pad repeatedly until the desired power level is reached. **TOUCH** **START**
6. Touch Start/Add-A-Minute pad.

DEMONSTRATION MODE

TO SELECT DEMO MODE

1. Touch Setup/Help pad five times. The display shows **DEMO ON?** **HOLD** **START** **3 SEC**
2. Hold Start/Add-A-Minute pad for 3 seconds. The display shows **DEMO ON**.

TO CANCEL DEMO MODE

1. Touch Setup/Help pad five times. The display shows **DEMO** **OFF?** **TOUCH** **START**.
2. Touch Start/Add-A-Minute pad. The display shows **DEMO** **OFF**.

NOTE:

- *DrawerMicro Oven doesn't heat in Demo Mode.*
- *Display counts down quickly.*

Timer

1. Touch Timer/Clock pad and number **1**.
 2. Enter time.
 3. Touch Timer/Clock pad again.
- To cancel timer, touch Stop/Clear.

Standby Mode

This microwave will go into standby mode after a period of inactivity. The backlight of the display will automatically dim after 3 minutes if the unit has not been in operation. If the display is in standby mode, simply touch the control panel or open/close the door to return the backlight to maximum brightness.

Cleaning and Maintenance

Any piece of equipment works better and lasts longer when maintained properly and kept clean. Cooking equipment is no exception. Your DrawerMicro Oven must be kept clean and maintained properly.

Disconnect the power cord before cleaning or leave the door open to inactivate the oven during cleaning.

Exterior

The outside surface is precoated metal and plastic. Clean the outside with mild soap and water; rinse and dry with a soft cloth. Do not use any type of household or abrasive cleaner.

Stainless Steel Surface

The exterior should be wiped often with a soft damp cloth and polished with a soft dry cloth to maintain its beauty. There are also a variety of products designed especially for cleaning and shining the stainless exterior of the oven. We recommend that the cleaner be applied to a soft cloth and then carefully used on the stainless exterior rather than sprayed directly on to it. Follow package directions carefully.

Front Side of The Drawer

Wipe the window on both sides with a soft damp cloth to remove any spills or spatters. Metal parts will be easier to maintain if wiped frequently with a soft damp cloth. Avoid the use of spray and other harsh cleaners as they may stain, streak or dull the drawer surface.

Touch Control Panel

If desired, the touch keys may be deactivated before cleaning. See the Control Lock information on page 21 of this manual. Wipe the panel with a cloth dampened slightly with water only. Dry with a soft cloth. Do not scrub or use any sort of chemical cleaners. Close drawer and follow directions on page 21 for turning Control Lock off. Touch Stop/Clear.

Interior

Before cleaning the the DrawerMicro Oven, touch and hold the Control Lock button for 3 seconds to lock the control pad and the automatic door mechanism. The drawer can be locked in either the open or closed position. The display will show **LOCK ON**. This will prevent the drawer from accidentally opening or closing during cleaning. After cleaning, touch and hold the Control Lock button for 3 seconds to turn the lock off. The display will show **LOCK OFF**.

Cleaning is easy because no heat is generated to the interior surfaces; therefore, there is no baking and setting of spills or spattering. To clean the interior surfaces, including drawer sealing surfaces, wipe with a soft damp cloth. **DO NOT USE ABRASIVE OR HARSH CLEANERS OR SCOURING PADS.** For heavier soil, use mild soap; wipe clean with a soft damp cloth. Do not use any chemical oven cleaners.

Drawer Guides

Remove the food crumbs from the drawer guides. Wipe with a soft dry cloth in order to keep the DrawerMicro Oven opening and closing smoothly.

Waveguide Cover

ATTENTION The waveguide cover, located on the inside top of the DrawerMicro Oven area, is made from mica, so it requires special care. Keep the waveguide cover clean to assure good microwave performance. Carefully wipe with a soft damp cloth any food spatters from the surface of the cover immediately after they occur. Built-up splashes may overheat and cause smoke or possibly catch fire. Do not remove the waveguide cover.

Odor Removal

Occasionally, a cooking odor may remain in the DrawerMicro Oven. To remove odor, combine 1 cup water, grated peel and juice of one lemon and several whole cloves in a 2-cup glass microwave-safe measuring cup. Boil for several minutes using 100% power. Leave in the DrawerMicro Oven until water cools. Wipe interior with a soft cloth.

Before You Call For Service

Please check the following before calling for service. It may save you time and expense.

PROBLEM	POSSIBLE CAUSE	SOLUTION
1. Part or all of DrawerMicro Oven does not operate.	<ul style="list-style-type: none"> Power cord of DrawerMicro Oven is not completely connected to the electrical outlet. Power outage. Fuse/circuit breaker at home doesn't work. DrawerMicro Oven is in Demo Mode. 	<ul style="list-style-type: none"> Make sure the power cord is tightly connected to the outlet. Check house lights to be sure. Call your local electric company for service. Replace the fuse or reset the circuit breaker. See page 22 for how to cancel Demo Mode.
2. Food in DrawerMicro Oven is not heated.	<ul style="list-style-type: none"> No power to the appliance. DrawerMicro Oven controls improperly set. DrawerMicro Oven is in Demo Mode. 	<ul style="list-style-type: none"> See SOLUTION for PROBLEM 1. Check if the controls have been properly set. See page 22.
3. DrawerMicro Oven light does not work.	<ul style="list-style-type: none"> Light bulb is loose or burned out. 	<ul style="list-style-type: none"> Call for service.
4. Touch controls will not operate.	<ul style="list-style-type: none"> Control Lock is on. 	<ul style="list-style-type: none"> See page 21 to unlock.
5. Display flashes.	<ul style="list-style-type: none"> Power failure. 	<ul style="list-style-type: none"> Touch Clear pad and reset the clock. If the DrawerMicro Oven was in use, you must reset the cooking function.
6. Steam from the vent.	<ul style="list-style-type: none"> During microwaving, steam may come from the right side of the vent. 	

Service Information

If service is required, call your authorized service agency.

Have the following information readily available:

- Model number
- Serial number
- Date purchased
- Name of dealer from whom purchased

Clearly describe the problem that you are having. If you are unable to obtain the name of an authorized service agency, or if you continue to have a service problem, contact Viking Range, LLC at 1-888-845-4641 or write to:

VIKING RANGE, LLC
PREFERRED SERVICE
111 Front Street
Greenwood, Mississippi 38930 USA

Record the information indicated below. You will need it if service is ever required. The model and serial number for your oven are located on the left side of the oven cavity on an identification label.

Model Number _____ Serial Number _____

Date of Purchase _____ Date Installed _____

Dealer's Name _____

Address _____

If service requires installation of parts, use only authorized parts to ensure protection under the warranty.

KEEP THIS MANUAL FOR FUTURE REFERENCE

Warranty

DrawerMicro Oven Warranty

TWO YEAR FULL WARRANTY

DrawerMicro Ovens and all of their component parts and accessories, except as detailed below*, are warranted to be free from defective materials or workmanship in normal household use for a period of two (2) years from the date of original retail purchase. Viking Range, LLC, warrantor, agrees to repair or replace, at its option, any part which fails or is found to be defective during the warranty period.

*Glass (including light bulbs), painted and decorative items are warranted to be free from defective materials or workmanship for a period of ninety (90) days from the date of original retail purchase. ANY DEFECTS MUST BE REPORTED TO THE SELLING DEALER WITHIN NINETY (90) DAYS FROM DATE OF ORIGINAL RETAIL PURCHASE.

FIVE YEAR LIMITED WARRANTY

If the magnetron tube fails due to defective materials or workmanship in normal household use during the second through fifth year from the date of original retail purchase it will be repaired or replaced, free of charge for the part itself, with the owner paying all other costs, including labor.

This warranty extends to the original purchaser of the product warranted hereunder and to each transferee owner of the product during the term of the warranty.

This warranty shall apply to products purchased and located here in the United States and Canada. Products must be purchased in the country where service is requested. Warranty labor shall be performed by an authorized Viking Range, LLC service agency or representative. Warranty shall not apply to damage resulting from abuse, accident, natural disaster, loss of electrical power to the product for any reason, alteration, outdoor use, improper installation, improper operation or repair or service of the product by anyone other than an authorized Viking Range, LLC service agency or representative. This warranty does not apply to commercial usage. Warrantor is not responsible for consequential or incidental damage whether arising out of breach of warranty, breach of contract, or otherwise. Some jurisdictions do not allow the exclusion or limitation of incidental or consequential damages, so the above limitation or exclusion may not apply to you.

Owner shall be responsible for proper installation, providing normal care and maintenance, providing proof of purchase upon request, and making the appliance reasonably accessible for service. If the product or one of its component parts contains a defect or malfunction during the warranty period, after a reasonable number of attempts by the warrantor to remedy the defects or malfunctions, the owner is entitled to either a refund or replacement of the product or its component part or parts. Warrantor's liability on any claim of any kind, with respect to the goods or services covered hereunder, shall in no case exceed the price of the goods or service or part thereof which gives rise to the claim.

WARRANTY SERVICE: Under the terms of this warranty, service must be performed by a factory authorized Viking Range, LLC service agent or representative. Service will be provided during normal business hours, and labor performed at overtime or premium rates shall not be covered by this warranty. To obtain warranty service, contact the dealer from whom the product was purchased, an authorized Viking Range, LLC service agent, or Viking Range, LLC. Provide model and serial number and date of original purchase. For the name of your nearest authorized Viking Range, LLC service agency, call the dealer from whom the product was purchased or Viking Range, LLC.

IMPORTANT: Retain proof of original purchase to establish warranty period.

The return of the Owner Registration Card is not a condition of warranty coverage. You should, however, return the Owner Registration Card so that Viking Range, LLC can contact you should any question or safety arise which could affect you.

Any implied warranties of merchantability and fitness applicable to the above described elements or parts are limited in duration to the period of coverage of the applicable express written limited warranties set forth above. Some jurisdictions do not allow limitations on how long an implied warranty lasts, so the above limitation may not apply to you. This warranty gives you specific legal rights, and you may also have other rights which may vary from jurisdiction to jurisdiction.

Viking Range, LLC

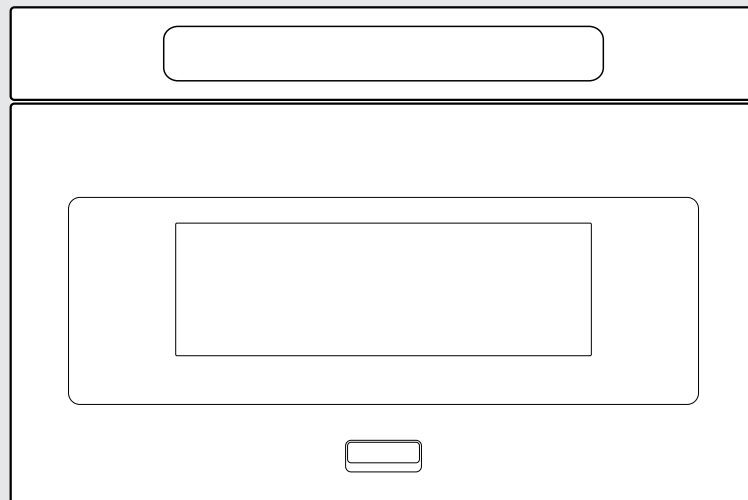
111 Front Street

Greenwood, Mississippi (MS) 38930 USA (888) 845-4641

Specifications subject to change without notice

For more product information, call 1-888-845-4641 or visit our web site at vikingrange.com in the US or brigade.ca in Canada

Manual de Uso y Cuidado



Horno DrawerMicro™
VMOD5240 / CVMOD5240

Felicitaciones

Felicitaciones y bienvenido al a una élite mundial de la propietaries. Esperamos que disfrute y aprecia el cuidado y la atención que hemos brindado a cada detalle de su nuevo y ultramoderno Horno de Microondas.

Su Horno de Microondas está diseñado para ofrecerle años de servicio confiable. La Guía de uso y cuidado le brindará la información que necesita para familiarizarse con el cuidado y operación de su Horno de Microondas

Su completa satisfacción es nuestro objetivo principal. Si tiene alguna pregunta o comentario sobre este producto, comuníquese con el distribuidor donde adquirió el producto, o comuníquese con nuestro Centro de atención al cliente al 1-888-845-4641.

Agradecemos su preferencia por un Horno de Microondas nuestro y esperamos que nuevamente elija nuestros productos para sus otras necesidades importantes en cuanto a hornos.

Para mayor información sobre la completa y creciente selección de productos, comuníquese con su distribuidor o visítenos en Internet en vikingrange.com.

Tabla de Contenido

Para comenzar	5
Advertencias	5
Instrucciones de seguridad importantes	7
Importante–Lea y siga las instrucciones	9
Instrucciones para conexión a tierra	9
Sobre su horno de microondas	9
Seguridad con los utensilios	10
Sobre los niños y el microondas	11
Seguridad con los alimentos	11
Sobre los Alimentos	12
Sobre seguridad	13
Ajuste del reloj	14
Para configurar el reloj	14
Stop/Clear (Parar/Borrar)	14
Para abrir o cerrar el horno DrawerMicro	14
Controles del producto	15
Características	15
Operación	16
Panel de control y ajustes	16
Tiempo de cocción	16
Para fijar el nivel de potencia	16
Ajustes del sensor	17
Envoltura de alimentos	17
Sensor Popcorn/Sensor Reheat (Palomitas de Maíz / Sensor de Recalentamiento)	18
Sensor Cook (Cocción por Sensor)	18
Defrost (Descongelar)	20
Descongelamiento manual	20
Reheat (Recalentar)	21
Beverge Center (Centro de bebidas)	21
Melt/Soften/Warm (Fundir/Ablandar/Entibiar)	22

Tabla de Contenido

Keep Warm Plus (Conservar caliente) _____	23
Cocción en múltiples secuencias _____	23
Add-A-Minute (Añadir-A-Minuto) _____	23
Mayor o menor ajuste de tiempo _____	24
Help (Ayuda - Indicador en pantalla) _____	24
Control Lock (Bloqueo de Control) _____	24
Setup/Help (Ajuste/Ayuda) _____	24
Timer (Temporizador) _____	25
Modo de espera _____	25
Cuidado del producto _____	26
Limpieza y mantenimiento _____	26
Exterior _____	26
Superficie de acero inoxidable _____	26
Superficies de vidrio _____	26
Panel de control táctil _____	26
Parte interna _____	26
Guías del cajón _____	26
Cubierta de la guía de onda _____	26
Eliminación de olores _____	26
Antes de solicitar servicio _____	27
Información de servicio _____	28
Garantía _____	29

Advertencia

Las Advertencias e Instrucciones importantes de seguridad que aparecen en este manual no pretenden incluir todas las condiciones y situaciones posibles que puedan ocurrir. Se debe emplear el sentido común y tener precauciones y cuidado al instalar, dar mantenimiento o hacer funcionar el artefacto.

SIEMPRE comuníquese con el fabricante sobre los problemas o condiciones que no comprenda.

Reconozca los símbolos, palabras y etiquetas de seguridad

! PELIGRO
Peligros o prácticas no seguras que OCASIONARÁN lesiones personales graves o la muerte
! ADVERTENCIA
Peligros o prácticas no seguras que PODRÍAN OCASIONAR la muerte o lesiones personales graves
! ADVERTENCIA
Peligros o prácticas no seguras que PODRÍAN OCASIONAR lesiones personales leves o daños a la propiedad.
Todos los mensajes de seguridad identificarán el peligro, le informarán cómo reducir la eventualidad de una lesión y le dirán lo que puede suceder si no cumple las instrucciones.

Lea y siga todas las instrucciones antes de usar este artefacto

para prevenir el riesgo potencial de incendio, choque eléctrico, lesiones personales o daños al artefacto como resultado del uso incorrecto del artefacto. Use el artefacto sólo para el uso destinado como se describe en este manual.

Para asegurar la operación correcta y segura: El artefacto debe ser instalado y puesto a tierra correctamente por un técnico calificado. **NO** intente ajustar, reparar, dar servicio o reemplazar ninguna parte de su artefacto a menos que esté específicamente recomendado en este manual. Las demás reparaciones deben ser realizadas por un técnico calificado.

Advertencias

PRECAUCIONES PARA EVITAR POSIBLES EXPOSICIONES AL EXCESO DE ENERGÍA DEL MICROONDAS

- (a) No trate de operar este horno con la puerta abierta ya que la operación puede provocar una exposición perjudicial a la energía del microondas. No altere o manipule indebidamente los interbloques de seguridad.
- (b) No coloque ningún objeto entre la parte frontal del horno y la puerta, ni deje que se acumulen residuos de limpiadores o suciedad en las superficies del cierre hermético.
- (c) No opere el microondas si está dañado. Es particularmente importante que la puerta del horno cierre apropiadamente y que no hayan daños en: (1) puerta (inclinación), (2) bisagras y pestillos (rotos o flojos), (3) sellos de la puerta y superficies de cierre hermético.
- (d) El horno sólo debe ser ajustado o reparado por el personal de servicio calificado apropiado.

ADVERTENCIA



El uso inapropiado del enchufe con toma a tierra puede causar una descarga eléctrica.

INSTRUCCIONES DE SEGURIDAD IMPORTANTES

Al usar artefactos eléctricos deben tomarse precauciones de seguridad básicas, incluyendo las siguientes:

ADVERTENCIA - Para reducir el riesgo de quemaduras, choque eléctrico, incendios, lesiones a personas o exposición al exceso de energía del microondas:

1. Lea todas las instrucciones antes de usar el artefacto.
2. Lea y siga las "PRECAUCIONES PARA EVITAR LA POSIBLE EXPOSICIÓN AL EXCESO DE ENERGÍA DEL MICROONDAS" en la página 6.
3. Este aparato debe conectarse a tierra. Conecte únicamente a un tomacorriente puesto a tierra adecuadamente. Vea "INSTRUCCIONES PARA CONEXIÓN A TIERRA" en la página 9.
4. Instale o coloque este artefacto sólo de acuerdo a las instrucciones de instalación proporcionadas.
5. Algunos productos como huevos enteros y recipientes sellados—por ejemplo, frascos de vidrio cerrados—pueden explotar y no deben ser calentados en este horno.
6. Use este artefacto sólo para el uso previsto como se describe en este manual. No use productos químicos ni vapores corrosivos en este artefacto. Este tipo de horno está diseñado específicamente para calentar, cocinar o deshidratar los alimentos. No está diseñado para uso industrial o de laboratorio.
7. Como cualquier artefacto, deberá ser supervisado cuando lo usen los niños.
8. No haga funcionar este artefacto si el cable de energía o enchufe están dañados, si no funciona apropiadamente o si tiene daños o se ha caído.
9. Este artefacto debe recibir servicio sólo del personal de servicio calificado. Comuníquese con el Personal de servicio autorizado para una evaluación, reparación o ajuste.
10. No cubra ni bloquee ninguna ranura del artefacto.
11. No guarde ni use este artefacto en exteriores. No use este producto cerca del agua—por ejemplo, cerca del fregadero de la cocina, de una base mojada, de piscinas o lugares similares.
12. No sumerja el cable de energía o enchufe en el agua.
13. Mantenga el cable alejado de superficies calientes.
14. No cuelgue el cable sobre el borde de la mesa o mostrador.
15. No permita hange de cuerda sobre orilla de mesa ni contra.
16. No almacene nada directamente encima de la superficie de aparato cuando el aparato está en la operación.
17. Asegúrese que los dedos u otros objetos o materiales no se encuentran alrededor de la abertura del artefacto cuando esté se encuentre cerrado.
18. No coloque los dedos o ropa alrededor de las guías del cajón al momento de abrir o cerrar el artefacto. Éstos podrían quedar atrapados en las guías al cerrar el artefacto.
19. Asegúrese que los alimentos y recipientes no sobrepasen el tamaño del cajón antes de cerrarlo. Verifique la altura de las paredes laterales del cajón.
20. Cuando limpie las superficies de sellado del artefacto que se juntan al cerrar el cajón, aplique con una esponja o paño suave sólo jabón o detergente suave no abrasivo. Vea las instrucciones para limpiar en la página 31.
21. Para reducir el riesgo de incendio en la cavidad del horno:
 - a. No cocine demasiado los alimentos. Esté atento cuando coloque papeles, plástico u otro material combustible dentro del horno para facilitar la cocción.
 - b. Retire los sujetadores de las bolsas de papel o de plástico antes de colocarlas en el horno.
 - c. Si los materiales dentro del horno empiezan a arder, mantenga cerrada la puerta del horno, apáguelo y desconecte el cable de alimentación o desconecte la energía en la caja de fusibles o en el panel del interruptor automático.
 - d. No use la cavidad para almacenar objetos. No deje productos de papel, utensilios de cocina o alimentos en la cavidad cuando no lo use.

INSTRUCCIONES DE SEGURIDAD IMPORTANTES

22. Los líquidos, como agua, café o té pueden sobrecalentarse más allá del punto de ebullición sin que pueda notarse que están hirviendo. No siempre habrá burbujas o vapor de ebullición visibles al retirar el recipiente del horno microondas. ESTO PUEDE CAUSAR UN DERRAME IMPREVISTO DE LÍQUIDOS DEMASIADO CALIENTES AL INTRODUCIR UNA CUCHARA U OTRO UTENSILIO EN EL LÍQUIDO.

Para reducir el riesgo de lesiones a personas:

- a. No sobrecaliente el líquido.
- b. Revuelva el líquido antes y durante el calentamiento.
- c. No use un recipiente de paredes rectas y cuello angosto. Use un recipiente de boca ancha.
- d. Después de calentar, deje el recipiente en el horno microondas por lo menos 20 segundos antes de retirarlo.
- e. Tenga extremo cuidado al insertar una cuchara u otro utensilio en el recipiente.

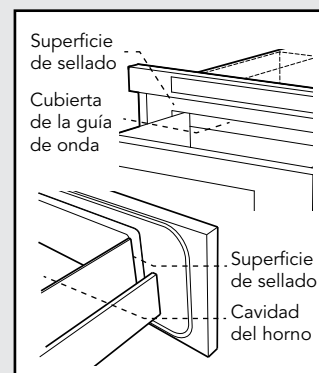
24. Si la lámpara del horno microondas falla o deja de funcionar, llamar a un PROVEEDOR DE SERVICIO AUTORIZADO.

GUARDE ESTAS INSTRUCCIONES

IMPORTANTE—Lea y siga las instrucciones

Sobre el desembalaje y la verificación de su horno DrawerMicro

1. Retire los materiales de empaque que están dentro de la cavidad del Horno DrawerMicro. **NO RETIRE LA CUBIERTA DE LA GUÍA DE ONDA**, que se encuentra en la parte superior del Horno DrawerMicro.
2. Si hay una etiqueta adhesiva, retírela. Revise que el cajón no tenga daños, como mal alineamiento o inclinación, sellos del cajón y superficies de sellado dañados, guías del cajón rotas o flojas y abolladuras en la cavidad o en la parte frontal del cajón. Si encuentra algún daño, no opere el Horno DrawerMicro y comuníquese con DE SERVICIO AUTORIZADO.

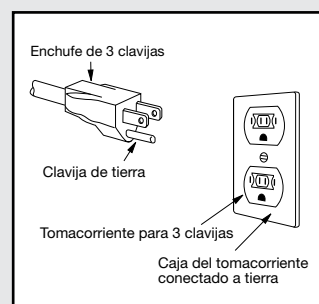


INSTRUCCIONES PARA CONEXIÓN A TIERRA

Este aparato se debe poner a tierra. En caso que se produzca un cortocircuito eléctrico, la conexión a tierra reduce el riesgo de descarga eléctrica proporcionando una vía de escape para la corriente eléctrica. Este horno está equipado con un cable que tiene un alambre y un enchufe con toma a tierra. Éste se debe conectar en un tomacorriente de pared instalado y conectado a tierra apropiadamente de acuerdo con el Código Eléctrico Nacional y los códigos y reglamentos locales.

⚠ ADVERTENCIA

El uso inapropiado del enchufe con toma a tierra puede causar una descarga eléctrica.



Requisitos eléctricos

El horno está equipado con un enchufe con toma a tierra de tres clavijas. **BAJO NINGUNA CIRCUNSTANCIA CORTE O RETIRE LA CLAVIJA DE TIERRA DEL ENCHUFE. NO UTILICE EXTENSIONES DE CABLE.** Si el cable de alimentación es demasiado corto, haga que un electricista o mecánico calificado instale un tomacorriente cerca del artefacto.

El cable de alimentación y el enchufe deben conectarse a un tomacorriente conectado a tierra en circuito independiente de 120 voltios CA, 60 Hz, 15 amperios o más. El tomacorriente debe estar ubicado dentro del gabinete directamente encima de la ubicación del horno microondas como se muestra.

NOTAS:

- Si tiene alguna pregunta sobre las instrucciones eléctricas o de conexión a tierra, consulte a un electricista calificado o al encargado de brindar el servicio.
- Viking Range, LLC y el distribuidor no aceptan ninguna responsabilidad por los daños al horno o las lesiones personales causadas por no seguir los procedimientos de conexión eléctrica correctos.

Interferencia en la radio o televisión

Si hay interferencia causada por el horno microondas en su radio o TV, revise que el horno tenga un circuito eléctrico diferente, aleje la radio o TV del horno lo más que pueda o revise la posición y señal de la antena de recepción.

Sobre su horno DrawerMicro

SIEMPRE coloque alimentos dentro del Horno DrawerMicro durante su operación para que absorban la energía del microondas.

El orificio de ventilación debajo del Horno DrawerMicro no debe ser bloqueado. Durante la cocción, el vapor debe salir del lado derecho del orificio de ventilación.

Al usar el Horno DrawerMicro con niveles de potencia por debajo del 100%, usted podría escuchar que el magnetrón se enciende y apaga. Es normal que la parte exterior del Horno DrawerMicro esté caliente al tacto cuando cocina o recalienta.

IMPORTANTE—Lea y siga las instrucciones

La condensación es una parte normal de la cocción con microondas. La humedad ambiental y la humedad en la comida influirán en la cantidad de humedad que se condense en el Horno DrawerMicro. Generalmente, los alimentos cubiertos no producirán tanta condensación como los no cubiertos.

El uso del Horno DrawerMicro se limita únicamente a la preparación de los alimentos. No debe usarse para secar ropa o periódicos.

Su Horno DrawerMicro tiene una capacidad de 950 W haciendo uso del Procedimiento de prueba IEC. Al seguir instrucciones de recetas o de productos envasados, verifique los alimentos uno o dos minutos antes del tiempo mínimo y aumente tiempo según corresponda.

Al abrir o cerrar el Horno DrawerMicro rápidamente, los alimentos pueden derramarse en el interior del microondas. Para realizar la limpieza, consulte la sección Limpieza y cuidado en la página 26.

Seguridad con los utensilios

- Utilice agarraderas resistentes y secas. Las agarraderas húmedas podrían causar quemaduras debido al vapor. Los paños de cocina u otros sustitutos **NUNCA** deben ser utilizados como agarradas porque pueden rozar los elementos de la superficie caliente y encenderse o quedar atrapados en las piezas del artefacto.
- **NO** caliente recipientes con alimentos sin abrir; la acumulación de presión podría causar que el recipiente explote y ocasione una lesión.
- Tenga cuidado al abrir la puerta del microondas. Permita que el aire caliente o vapor escape antes de retirar o reemplazar los alimentos.
- **ADVERTENCIA SOBRE ALIMENTOS PREPARADOS:** Siga las instrucciones del fabricante del alimento. Si el recipiente plástico de un alimento congelado y su cubierta se deforman o dañan de alguna manera durante la cocción, deseche de inmediato el alimento y su recipiente. El alimento podría estar contaminado.

No es necesario comprar utensilios nuevos. Usted puede usar la mayoría de artículos de su cocina en su nuevo horno de microondas. Asegúrese de que los utensilios no toquen las paredes internas durante la cocción.

Use estos utensilios para una cocción y un recalentamiento seguros en el microondas:

- vitrocerámica (Pyroceram®), como Corningware®.
- Vidrio resistente al calor (Pyrex®)
- plásticos resistentes al microondas
- platos de papel
- cerámica, cerámica de gres y porcelana
- fuentes (sin exceder el tiempo de precalentamiento recomendado. Siga las instrucciones del fabricante.)

Estos artículos pueden ser usados para un corto tiempo de recalentamiento de alimentos con poca grasa o azúcar:

- madera, paja, mimbre

NO UTILICE

- sartenes y utensilios para hornear de metal
- platos con borde metálico
- vidrio no resistente al calor
- plásticos que no resistan las microondas (recipiente de margarina)
- productos de papel reciclado
- bolsas de papel marrón
- bolsas para conservar alimentos
- sujetadores de metal
- metal twist-ties

Si desea verificar si un plato es seguro para uso en el microondas, coloque el plato vacío en el horno y hágalo funcionar durante 30 segundos en HIGH. Si el plato se calienta demasiado no debe ser usado.

Las siguientes envolturas son ideales:

IMPORTANTE—Lea y siga las instrucciones

- Las toallas de papeles son ideales para envolver los alimentos al recalentarlos y absorber la grasa al cocinar tocino.
- El papel encerado puede ser usado para cocinar y recalentar.
- La película plástica que está especialmente diseñada para uso en microondas puede usarse para la cocción y recalentamiento. **NO** deje que la película plástica toque los alimentos. Haga agujeros para que el vapor pueda salir.
- Las tapas que pueden usarse en el microondas son una buena opción ya que aíslan el calor de los alimentos para acelerar la cocción.
- Las bolsas para cocción en hornos son apropiadas para piezas grandes de carne o alimentos que necesitan ablandarse. **NO** use sujetadores de alambre. Recuerde perforar la bolsa para que pueda salir el vapor.

Cómo usar papel aluminio en el Horno microondas sobre la estufa:

- Los pedazos pequeños de papel aluminio colocados ligeramente sobre los alimentos pueden ser útiles para proteger áreas que se vayan a descongelar o cocinar rápidamente.
- El papel no debe estar a menos de una pulgada de la superficie del horno.

Si tiene preguntas acerca de los utensilios o envolturas, consulte un buen libro de cocina en microondas o siga las sugerencias de las recetas.

Accesorios

Existen muchos accesorios disponibles para microondas. Revise cuidadosamente antes de comprarlos para que satisfagan sus necesidades. Un termómetro resistente a las microondas le ayudará a determinar la cocción correcta y asegurará que sus alimentos se han cocido a temperaturas seguras. Viking Range, LLC no es responsable de ningún daño al horno causado por los accesorios.

Sobre los niños y el microondas

- Los niños menores de 7 años deben usar el horno microondas bajo la supervisión cercana de un adulto. En caso de los niños entre 7 y 12 años la persona que los supervisa debe estar en la misma habitación.
- No debe permitir que nadie se apoye o se cuelgue de la puerta del horno.
- Los niños deben conocer todas las precauciones de seguridad: usar agarraderas, retirar las cubiertas con cuidado, prestar mucha atención a los paquetes de bocadillos crujientes, ya que podrían estar muy calientes.
- No asuma que un niño puede cocinar de todo sólo porque aprendió a cocinar un alimento.
- Los niños deben aprender que el horno microondas no es un juguete. Vea la página 24 para consultar la función de Bloqueo a prueba de niños.

Seguridad con los alimentos

- Distribuya los alimentos con cuidado. Coloque las áreas más gruesas hacia la parte exterior del plato.
- Verifique el tiempo de cocción. Cocine durante el período de tiempo más corto indicado y aumente como sea necesario. Los alimentos que se cocinan demasiado pueden quemarse o encenderse.
- Cubra los alimentos durante su cocción. Consulte la receta o el libro de cocina para obtener sugerencias: Toallas de papel, papel encerado, película plástica para microondas o una tapa. Las cubiertas evitan derrames y permiten que los alimentos se cocinen de manera uniforme.
- Cubra las áreas delgadas de la carne o carne de ave con piezas pequeñas y planas de papel de aluminio para evitar que se cocinen demasiado antes de que las áreas más gruesas se cocinen por completo.
- Revuelva los alimentos desde afuera hacia adentro del plato una o dos veces durante la cocción, si es posible.
- Voltee los alimentos una vez durante la cocción en microondas para acelerar la cocción de alimentos como pollo y hamburguesas. Los alimentos grandes como asados deben voltearse al menos una vez.
- Reacomode los alimentos como albóndigas a la mitad de la cocción desde la parte superior a la inferior y desde el centro del plato hacia el exterior.
- Deje un tiempo de espera. Retire los alimentos del Microondas Para Empotrado y revuélvalos, si es posible. Cubra durante el tiempo de espera, lo cual permite que los alimentos se terminen de cocinar sin recocerlos.
- Verifique la cocción. Verifique si hay señales que indiquen que se ha alcanzado la temperatura de cocción.

IMPORTANTE—Lea y siga las instrucciones

Las señales de cocción completa incluyen:

- Todo el alimento emana vapor, no sólo en los bordes.
- Temperatura muy caliente de la base central del plato al tacto.
- Fácil movimiento de las uniones de los muslos del ave.
- La carne y la carne de ave no presentan un color rosáceo.
- El pescado está opaco y se desmenuza fácilmente con un tenedor.

Sobre los Alimentos

Alimento	Lo que debe hacer	Lo que no debe hacer
Huevos, salchichas, frutos secos, semillas, frutas y vegetales	<ul style="list-style-type: none"> • Perfore las yemas del huevo antes de cocinarlo para evitar una "explosión". • Haga pequeños agujeros en la piel de las papas, manzanas, zapallos, hot dogs y salchichas para liberar el vapor. 	<ul style="list-style-type: none"> • Cocinar los huevos con cáscara. • Recalentar los huevos enteros. • Deshidratar nueces o semillas con cáscara.
Palomitas de maíz	<ul style="list-style-type: none"> • Use palomitas de maíz empacadas en una bolsa especial para horno microondas. • Escuche mientras las palomitas revientan para saber si hay una demora de 1 o 2 segundos o use una almohadilla especial para palomitas de maíz. 	<ul style="list-style-type: none"> • Cocinar palomitas de maíz en bolsas de papel común o en tazones de vidrio. • Exceder el tiempo máximo que indica el paquete de las palomitas de maíz.
Alimentos para bebés	<ul style="list-style-type: none"> • Transfiera los alimentos del bebé a un plato pequeño y caliéntelos con cuidado, revolviendo con frecuencia. Verifique la temperatura antes de servir. • Coloque las tetinas en las botellas después de calentarlas y sacúdalas bien. Verifique la temperatura usted mismo antes de alimentar al bebé. 	<ul style="list-style-type: none"> • Calentar botellas desechables. • Calentar las botellas con las tetinas puestas. • Calentar los alimentos del bebé en sus frascos originales.
General	<ul style="list-style-type: none"> • Corte los alimentos horneados con relleno después de calentarlos para liberar el vapor y prevenir las quemaduras. • Revuelva bien los líquidos antes, durante y después de calentar para evitar "erupciones". • Use un tazón profundo al cocinar líquidos o cereales para evitar que rebosen. • Los alimentos no deben sobrepasar el tamaño del cajón para microondas. Verifique la altura de las paredes laterales del cajón. 	<ul style="list-style-type: none"> • Calentar o cocinar en frascos de vidrio cerrados o en recipientes herméticos. • Preparar conservas o mermeladas en el microondas ya que las bacterias dañinas podrían no ser destruidas. • Freír en aceite. • Secar madera, calabazas, hierbas o papeles húmedos.

IMPORTANTE—Lea y siga las instrucciones

Sobre seguridad

Verifique que la cocción de los alimentos se realice de acuerdo a las temperaturas recomendadas del Departamento de Agricultura de los EE.UU.

Temperatura	Alimento
145°F (63°C)	Pez
160°F (71°C)	Carne de cerdo, carne molida de vacuno / cordero, platos de huevo
165°F (74°C)	Para sobras, comida refrigerada lista para recalentar y platos preparados y comida "lista" para llevar. El total, los pedazos y molió pavo/pollo/pato.
170°F (74°C)	carne blanca de aves de corral
180°F (74°C)	carne oscura de aves de corral

Para probar la cocción, introduzca un termómetro para carne en un área gruesa o densa lejos de la grasa y el hueso.

NUNCA deje el termómetro en los alimentos durante la cocción, a menos que sea aprobado para uso en microondas.

- **SIEMPRE** use una agarradera para prevenir quemaduras al manipular utensilios que están en contacto con los alimentos calientes. El calor de los alimentos puede transferirse a través de los utensilios causando quemaduras en la piel.
- Evite las quemaduras causadas por el vapor apartándolo de su rostro y manos. Levante lentamente el borde más alejado de la cubierta de un plato y abra con cuidado las bolsas de palomitas de maíz y las bolsas especiales para cocinar en horno apartándolas de su rostro.
- Permanezca cerca del horno mientras esté en uso y verifique con frecuencia el progreso de la cocción para que los alimentos no se cocinen demasiado.
- **NUNCA** use la cavidad para guardar libros de cocina u otros artículos.
- Seleccione, almacene y manipule los alimentos con cuidado para conservar su alta calidad y minimizar la propagación de bacterias.
- Conserve limpia la cubierta de la guía de onda. Los residuos de comida pueden producir arcos eléctricos o incendios.

Antes de operar

Antes de operar su nuevo horno, asegúrese de haber leído y entendido completamente esta Guía de uso y cuidado.

Antes de usar este Horno microondas sobre la estufa, siga esos procedimientos:

1. Conecte el horno. Cierre la puerta. La pantalla del horno mostrará **ENJOY YOUR MICRO-WAVE TOUCH CLEAR AND TOUCH CLOCK**.
2. Presione el botón Stop/Clear. **:** Aparecerá.
3. Programe el reloj.

Para configurar el reloj

1. Presione Timer/Clock y el botón del número **2**.
2. Presione los botones de números para ingresar la hora correcta del día y presione nuevamente el botón Timer/Clock.

Este es un reloj de 12 horas. Si intenta ingresar una hora incorrecta en el reloj, la pantalla mostrará el mensaje **ERROR**. Presione el botón Stop/Clear y restablezca el reloj.

- Si se interrumpe el suministro de energía eléctrica hacia el horno microondas, la pantalla mostrará intermitentemente **ENJOY YOUR MICRO-WAVE TOUCH CLEAR AND TOUCH CLOCK** después de restaurarse la energía. Si esto ocurre durante la cocción, el programa se borrará. La hora del día también se borrará. Simplemente Pulsar Stop/Clear y reajustar el reloj según la hora del día.

Stop/Clear (Parar/Borrar)

Presione el botón Stop/Clear (Parar/Borrar) para:

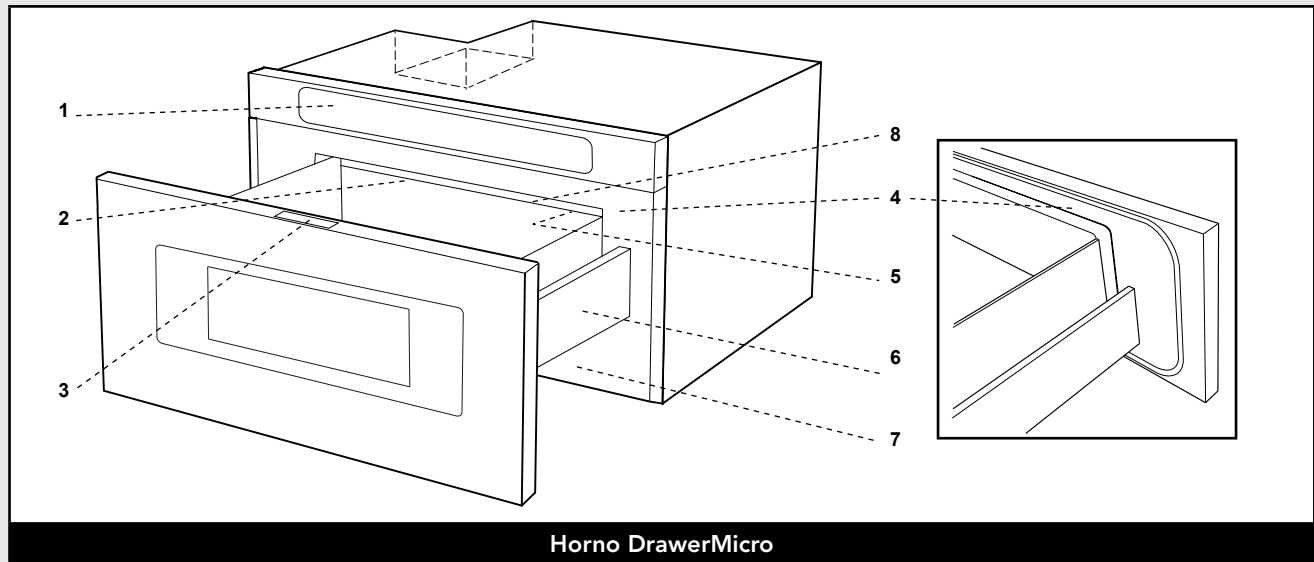
1. Borrar si comete un error durante la programación.
2. Cancelar el temporizador.
3. Detener el horno temporalmente durante la cocción.
4. Reingresar la hora del día en la pantalla.
5. Cancelar un programa durante la cocción, presionando dos veces.

Para abrir o cerrar el horno DrawerMicro

Siempre presione el botón OPEN o CLOSE en el panel de control para abrir o cerrar el Horno DrawerMicro.

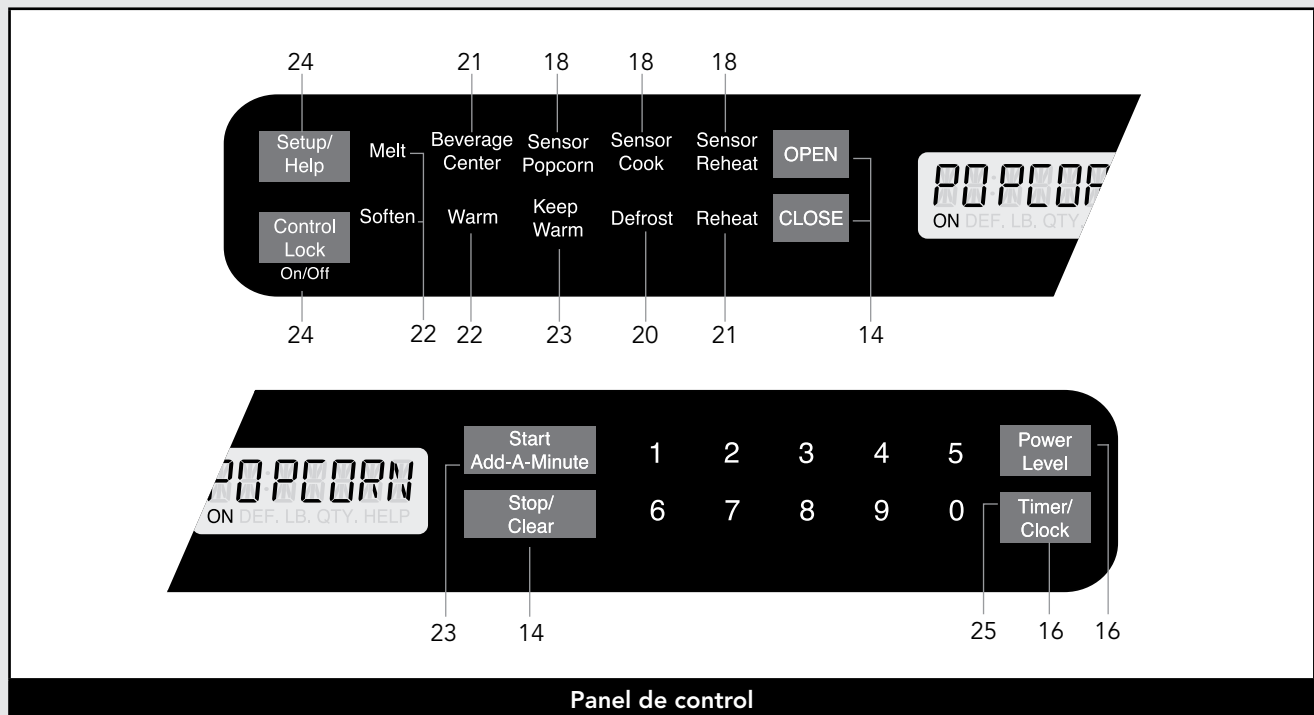
No presione o tire del manualmente del Horno DrawerMicro, excepto en caso de emergencia, como una falla eléctrica. Si es necesario presione o jale lentamente.

Características



Horno DrawerMicro

- 1. Panel de control
- 2. Cubierta de la guía de onda NO LA RETIRE
- 3. Etiqueta de menú
- 4. Superficies de sellado del cajón
- 5. Iluminación del cajón
- 6. Guías del Horno DrawerMicro
- 7. Respiradero
- 8. Placa de identificación: Abra el Horno DrawerMicro por completo. La etiqueta se encuentra ligeramente más allá de la pared posterior de la cavidad del microondas y con dirección hacia arriba desde la superficie plana.



Panel de control

El número cerca de la ilustración del panel de control indica las páginas donde puede encontrar descripciones de las características e información de uso.

Panel de control y ajustes

Tiempo de cocción

El horno microondas puede ser programado para 99 minutos 99 segundos (99.99). Siempre ingrese los segundos después de los minutos, aun si ambos son 0.

- **Para cocinar durante 5 minutos en 100%.**

1. Ingrese el tiempo de cocción **5|0|0**.
2. Presione el botón Start/Add-A-Minute.

Para fijar el nivel de potencia

Existen once niveles de potencia predeterminados.

Usar los niveles de potencia más bajos aumenta el tiempo de cocción, lo que es recomendable para alimentos como queso, leche y la cocción lenta y prolongada de carnes. Consulte el libro de recetas o las recetas para recomendaciones específicas.

- **Para descongelar durante 5 minutos a 30%.**

1. Ingrese el tiempo de descongelamiento **5|0|0**.
2. Presione Power Level 8 veces.
3. Presione Start/Add-A-Minute.

Presione el botón Power Level el número de veces necesario para alcanzar la potencia deseada	Porcentaje aproximado de potencia	Palabras comunes Para los niveles De potencia
Power Level x 1	100%	Alto
Power Level x 2	90%	
Power Level x 3	80%	
Power Level x 4	70%	Medio-alto
Power Level x 5	60%	
Power Level x 6	50%	Medio
Power Level x 7	40%	
Power Level x 8	30%	Medio bajo/descongelar
Power Level x 9	20%	
Power Level x 10	10%	Bajo
Power Level x 11	0%	

Panel de control y ajustes

Ajustes del sensor

El sensor es un dispositivo de semi-conducción que detecta el vapor (humedad) emitido por los alimentos al recalentar. El sensor ajusta los tiempos de cocción y el nivel de potencia para varios alimentos y cantidades.

- Después de conectar el horno, espere 2 minutos antes de usar los ajustes del sensor.
- Asegúrese de que el exterior del recipiente de cocción y el interior del horno estén secos. Remueva cualquier rastro de humedad con un paño seco o toalla de papel.
- El horno funciona con alimentos a una temperatura de almacenamiento normal. Por ejemplo, las palomitas de maíz pueden estar a temperatura ambiente.
- Cualquier selección de Ajuste del sensor puede ser programada con mayor o menor ajuste de tiempo. Vea la página 30.
- Si la cantidad de alimentos es mayor o menor a la que indica la tabla, debe ser cocinada siguiendo las pautas de cualquier libro de cocina para microondas.
- Durante la primera parte de cualquier cocción o recalentamiento por sensor, en la pantalla aparecerá el nombre del alimento. No abra la puerta del horno ni presione el botón Stop/Clear durante esta parte del ciclo. La medida del vapor será interrumpida. Si esto sucede, en la pantalla aparecerá un mensaje de error. Para continuar la cocción, presione el botón Stop/Clear y cocine manualmente.

Cuando el sensor detecte el vapor de los alimentos, aparecerá en pantalla el tiempo de cocción restante. Puede abrir la puerta cuando el tiempo de cocción restante aparezca en la pantalla. En este momento, puede revolver o sazonar los alimentos, como desee.

- Si el sensor no detecta el vapor apropiadamente al cocinar palomitas de maíz, el horno se apagará y aparecerá en la pantalla la hora correcta del día. Si el sensor no detecta el vapor apropiadamente al cocinar otros alimentos, el mensaje **ERROR** aparecerá en la pantalla y el horno se apagará.
- Revise la temperatura de los alimentos después de la cocción. Si es necesario un tiempo adicional, continúe la cocción manualmente.
- Cada alimento tiene una sugerencia de cocción. Presione el botón Help cuando el indicador HELP se encienda en la pantalla.

Envoltura de alimentos:

Algunos alimentos se cocinan mejor cuando están cubiertos. Puede hacer referencia a los consejos presionando el botón Set Up/Help. Consulte la página 24.

1. Tapa de la cacerola.
2. Película plástica: Use la película plástica recomendada para cocción en microondas. Envuelva los platos de forma suelta; deje un espacio de casi 1/2 pulgada sin cubrir para permitir la salida de vapor. La película plástica no debe tocar los alimentos.
3. Papel encerado: Cubra el plato completamente; doble el exceso de la envoltura debajo del plato para asegurar. Si el plato es más ancho que el papel, sobreponga por lo menos una pulgada de dos pedazos para cubrir.

Tenga cuidado al retirar cualquier envoltura para permitir la salida de vapor lejos de usted.

Panel de control y ajustes

Sensor Popcorn / Sensor Reheat (Palomitas de Maíz / Sensor de Recalentamiento)

Usted tiene la opción de preparar palomitas de maíz y recalentar muchos alimentos y no necesita calcular el tiempo de cocción o nivel de potencia.

Presione el botón Sensor Reheat o Sensor Popcorn y Start/Add-A-Minute.

Cuando el sensor detecte el vapor de los alimentos, aparecerá en la pantalla el tiempo de cocción/recalentamiento restante.

NOTA:

- El ajuste Sensor Popcorn tiene 2 opciones. Siga las instrucciones en la pantalla para elegir la opción que desee.

Tabla Sensor Popcorn / Sensor Reheat

Alimento	Cantidad	Procedimiento
Sensor Popcorn	Sólo un paquete a la vez 2.85 - 3.5 onzas (Normal / Ligero) 1.2 - 1.75 onzas (Pequeño / Bocado)	Use palomitas de maíz envasadas especialmente para uso en microondas. Pruebe con varias marcas para elegir la que prefiera. No intente cocinar los granos que no reventaron completamente. Presione el botón Sensor Popcorn una vez. Presione el botón Sensor Popcorn dos veces.
Sensor Reheat	4 - 36 onzas	Coloque en un plato o cacerola ligeramente más grande que la cantidad que va a recalentar. Aplane, si es posible. Recubra con una tapa, película plástica o papel encerado. Use envolturas como películas plásticas o tapas para grandes cantidades de alimentos con mayor densidad como estofados. Después de recalentar, revuelva bien, si es posible. Recubra y deje que permanezca de 2 a 3 minutos. Los alimentos deben estar muy calientes. Si no es así, continúe el recalentamiento con una potencia y tiempo variables.

Sensor Cook (Cocción por Sensor)

1. Presione el botón Sensor Cook una vez.
2. Vea la Etiqueta de menú. Seleccione el alimento deseado presionando el botón de número. Ej: Presione 5 para papas al horno.
3. Presione el botón Start/Add-A-Minute.

NOTA:

- Para calentar o cocinar otros alimentos o alimentos en cantidades mayores o menores a las permitidas en la Tabla Sensor Cook, hágalo manualmente.

Panel de control y ajustes

Tabla Sensor Cook

Alimento	Cantidad	Procedimiento															
1. Vegetales frescos: suaves Brócoli Coles de Bruselas Repollo Coliflor (flores pequeñas) Coliflor (entera) Espinaca Calabacín Manzanas al horno	.25 - 2.0 libras .25 - 2.0 libras .25 - 2.0 libras .25 - 2.0 libras 1 medianas .25 - 1.0 libras .25 - 2.0 libras 2 - 4 medianas	Lave y coloque en una cacerola. No agregue agua si acaba de lavar los vegetales. Recubra con la tapa para vegetales tiernos. Use película plástica para vegetales tiernos y crocantes. Después de la cocción, revuelva si es posible. Deje que los alimentos reposen cubiertos de 2 a 5 minutos.															
2. Vegetales frescos: duros Zanahorias en tajadas Maíz en mazorca Frijol verde Calabaza: picada en mitades	.25 - 1.5 libras 2 - 4 .25 - 1.5 libras .25 - 1.5 libras 1 - 2	Coloque en una cacerola. Agregue 1-4 cucharadas de agua. Recubra con la tapa para vegetales tiernos. Use película plástica para vegetales tiernos. Después de la cocción, revuelva si es posible. Deje que los alimentos reposen cubiertos de 2 a 5 minutos.															
3. Vegetales congelados	.25 - 1.25 libras	No agregue agua. Cubra con una tapa o película plástica. Después de la cocción, revuelva y déjelos reposar cubiertos durante 3 minutos.															
4. Platos de entrada congelados	6 - 17 onzas	Use este botón para congelar convenientemente los alimentos. Obtendrá resultados satisfactorios para la mayoría de marcas. Si desea puede probar las diversas marcas y elegir la que prefiera. Retire la envoltura externa del paquete y siga las instrucciones del mismo para cubrirlo. Después de la cocción, deje reposar cubierto de 1 a 3 minutos.															
5. Papas al horno 6. Camotes	1 - 6 medianas 1 - 6 medianas	Haga pequeños agujeros. Colóquelas sobre el Horno MicroDrawer™ forrado con papel toalla. Después de la cocción, retire del microondas, envuelva en papel aluminio y deje reposar de 5 a 10 minutos.															
7. Carne molida	.25 - 2.0 libras	Use este ajuste para cocinar carne de res o de pavo picada como hamburguesas o en cacerolas para ser agregados a otros ingredientes. Coloque las hamburguesas en una rejilla para microondas y recubra con papel encerado. Coloque la carne molida en una cacerola y cúbrala con papel encerado o una película plástica. Cuando el microondas se detenga, voltee las hamburguesas o revuelva la carne en la cacerola para dividir las piezas grandes. Cubra nuevamente y presione Start/Add-A-Minute. Luego de la cocción, deje reposar cubierto de 2 a 3 minutos.															
8. Pescado/mariscos	.25 - 2.0 libras	Colóquelo en forma de anillo en un plato de vidrio hondo (enrolle el filete ocultando los bordes). Cubra con una película plástica con agujeros de ventilación. Después de la cocción, déjelo reposar cubierto durante 3 minutos.															
9. Arroz blanco 10. Arroz integral	.5 - 2.0 tazas .5 - 2.0 tazas	Coloque el arroz en una cacerola honda y agregue el doble de cantidad de agua. Cubra con una tapa o película plástica. Después de la cocción, revuelva, cubra y deje reposar de 3 a 5 minutos o hasta que absorba todo el líquido. <table border="1" style="margin-left: auto; margin-right: auto;"> <thead> <tr> <th>Arroz</th> <th>Agua</th> <th>Tamaño de la cacerola</th> </tr> </thead> <tbody> <tr> <td>0,5 taza</td> <td>1 taza</td> <td>1,5 crarto</td> </tr> <tr> <td>1.0 taza</td> <td>2 tazas</td> <td>2 crartos</td> </tr> <tr> <td>1,5 tazas</td> <td>3 tazas</td> <td>2,5 or 3 crartos</td> </tr> <tr> <td>2,0 tazas</td> <td>4 tazas</td> <td>3 crartos o más</td> </tr> </tbody> </table>	Arroz	Agua	Tamaño de la cacerola	0,5 taza	1 taza	1,5 crarto	1.0 taza	2 tazas	2 crartos	1,5 tazas	3 tazas	2,5 or 3 crartos	2,0 tazas	4 tazas	3 crartos o más
Arroz	Agua	Tamaño de la cacerola															
0,5 taza	1 taza	1,5 crarto															
1.0 taza	2 tazas	2 crartos															
1,5 tazas	3 tazas	2,5 or 3 crartos															
2,0 tazas	4 tazas	3 crartos o más															

Panel de control y ajustes

Defrost (Descongelar)

Use esta función para descongelar los alimentos mostrados en la Tabla Defrost abajo.

1. Presione el botón Defrost.

SEE LABEL SELECT FOOD NUMBER

2. Vea la Etiqueta de menú. Seleccione el alimento deseado presionando el botón de número.

Ej: Presione 2 para Bistec/chuletas. STEAKS CHOPS ENTER WEIGHT

3. Ingrese el peso presionando los botones de número. 1.0 LB

4. Presione el botón Start/Add-A-Minute.

El horno se detendrá para que pueda revisar el alimento.

5. Después de la primera etapa, abra el Horno MicroDrawer™. Dé vuelta al bistec y cubra las porciones calientes. Cierre el Horno MicroDrawer™. Presione el botón Start/Add-A-Minute.

6. Después de la segunda etapa, abra el Horno MicroDrawer™. Cubra todas las partes calientes. Cierre el Horno MicroDrawer™. Presione el botón Start/Add-A-Minute.

7. Al terminar el ciclo de descongelamiento, cubra y deje reposar como se indica en la tabla de abajo.

NOTA:

- La función Defrost puede ser programada con ajuste de mayor o menor tiempo. Vea la página 24.
- Para descongelar otros alimentos o una cantidad de alimentos por encima o debajo de los pesos permitidos en la Tabla Defrost vea Descongelamiento Manual.
- Revise los alimentos a la señal del horno. Después de la etapa final, todavía pueden quedar partes pequeñas con hielo. Deje reposar para continuar el descongelamiento. No descongele hasta que se derritan todos los cristales de hielo.
- Cubrir los alimentos evita la cocción antes de que el centro del alimento esté descongelado. Use pequeñas tiras de papel aluminio para cubrir los bordes y las secciones más delgadas del alimento.

Tabla Defrost

Alimento	Cantidad	Procedimiento
1. Carne molida	.5 - 2.0 libras	Retire las partes congeladas después de cada señal audible. Cubra y deje reposar de 5 a 10 minutos.
2. Bistec/chuletas	.5 - 3.0 libras	Después de cada señal audible, reacomode y si hubiera alguna porción tibia o descongelada, protéjala con piezas pequeñas y planas de papel aluminio. Retira las porciones de carne o pescado que estén casi descongeladas. Cubra y deje reposar de 10 a 20 minutos.
3. Carne de ave deshuesada	.5 - 2.0 libras	Después de cada señal audible, reacomode o retire si hay porciones tibias o descongeladas. Cubra y deje reposar de 10 a 20 minutos.
4. Carne de ave con hueso	.5 - 3.0 libras	Después de cada señal audible, reacomode las piezas o retire las porciones que se encuentren calientes o descongeladas. Cubra y deje reposar de 10 a 20 minutos.
5. Asado	2.0 - 4.0 libras	Inicie el descongelamiento colocando el lado con grasa hacia abajo. Después de cada etapa, voltee el asado y cubra las porciones calientes con papel de aluminio. Cubra y deje reposar por 30 a 60 minutos.

Descongelamiento Manual

Si el alimento que quiere descongelar no aparece en la TABLA DEFROST o si está por encima o debajo de los límites en la columna de CANTIDAD, deberá descongelar manualmente.

Usted puede descongelar cualquier alimento congelado, crudo o precocido usando el Nivel de potencia al 30%. Siga exactamente el procedimiento del paso 3 en Para fijar el nivel de potencia en la página 11. Calcule el tiempo de descongelamiento y presione ocho veces el botón POWER LEVEL para una potencia del 30%.

Para alimentos crudos o precocidos congelados la regla general indica 4 minutos por libra. Por ejemplo, descongele durante 4 minutos una libra de salsa para espaguetis congelada.

Siempre detenga el horno continuamente para retirar o separar las porciones que esté descongelando. Si al final del

Panel de control y ajustes

tiempo de descongelamiento calculado los alimentos no se han descongelado, programe el horno en incrementos de 1 minuto a un nivel de potencia del 30% hasta que se descongelen totalmente.

Cuando use recipientes de plástico del congelador, descongele sólo lo suficiente para retirar el alimento del alimento y colocar el alimento en un plato para microondas.

Reheat (Recalentamiento)

Con Reheat puede calcular automáticamente y de manera correcta el tiempo de cocción y el nivel de potencia del microondas para los alimentos que se muestran en la siguiente tabla.

1. Presione el botón Reheat una vez.
2. Vea la Etiqueta de menú. Seleccione el alimento deseado presionando el botón de número. Ej: Presione para rosquillas o panecillos congelados.
3. Presione el botón de número para seleccionar la cantidad. Ej: Presione para 2 rosquillas o panecillos.
4. Presione el botón Start/Add-A-Minute.

NOTA:

- La función Reheat puede ser programada con ajuste de mayor o menor tiempo. Vea la página 24.
- Para recalentar otros alimentos o una cantidad de alimentos por encima o debajo de la cantidad permitida en la Tabla Reheat, hágalo manualmente.

Tabla Reheat

Alimento	Cantidad	Procedimiento
1. Rosquillas / panecillos frescos	1 - 8 unidades	Use este botón para calentar rosquillas, panecillos, bizcochos, roscas, etc. Las porciones grandes deben considerarse como 2 ó 3 de tamaño normal. Colóquelos en un plato y cubra con toalla de papel. Para rosquillas o panecillos refrigerados, puede ser necesario duplicar la cantidad ingresada para asegurar que la temperatura para servir sea adecuada. Por ejemplo, ingrese una cantidad de 2 para un panecillo refrigerado.
2. Rosquillas / panecillos congelados	1 - 8 unidades	Use este botón para calentar rosquillas, panecillos, bizcochos, roscas congeladas, etc. Las porciones grandes deben considerarse como 2 ó 3 de tamaño normal. Colóquelos en un plato y cubra con toalla de papel.

Beverge Center (Centro de bebidas)

Beverage Center le permite recalentar el café o el té para restaurar a una temperatura de consumo más conveniente o para hacer café instantáneo o té.

1. Presione el botón Beverage Center una vez.
2. Vea la Etiqueta de menú. Seleccione el alimento deseado presionando el botón de número. Ej: Presione para hacer café.
3. La repetición de la almohadilla de tacto mismo número para seleccionar la cantidad. Ej: Presione dos veces más para 2 tazas de café.
4. Presione el botón Start/Add-A-Minute.

NOTA:

- La función Beverage Center puede ser programada con ajuste de mayor o menor tiempo. Vea la página 24.
- En caso de intento de entrar en más o menos de la cantidad permitida, un mensaje de error aparecerá en la pantalla.

Panel de control y ajustes

Tabla Beverage Center

Alimento	Cantidad	Procedimiento
1. Para recalentar una bebida	.5 - 2.0 tazas	Este ajuste para el bien de la restauración de la bebida se enfría a una mejor temperatura para su consumo. Toca el número 1 de la almohadilla para un aumento del 0,5 taza al tacto. Revuelva después de calentar.
2. Agua caliente	1 - 6 tazas	Use este ajuste para calentar AGUA DE GRIFO FRÍA a una temperatura un tanto debajo del punto de ebullición para hacer café o té instantáneo. Presione el botón número 2 para aumentar una taza por cada vez que lo presione. Revuelva bien los líquidos antes y después de calentar para evitar "erupciones".

Melt/Soften/Warm (Fundir/Ablandar/Entibiar)

Melt, Soften y Warm calcula automáticamente el tiempo de calentamiento y el nivel de potencia de microondas correcto para fundir, ablandar y entibiar los alimentos mostrados en la tabla a continuación.

1. Presione el botón Melt una vez.
2. Vea la Etiqueta de menú. Seleccione el alimento deseado presionando el botón de número. Ejemplo: Presione el número para chocolate.
3. Continúe presionando el mismo botón de número para seleccionar la cantidad. Ejemplo: Presione el número dos veces más para 1 tableta.
4. Presione el botón Start/Add-A-Minute.

NOTA:

- Fundir, ablandar y calentar se puede programar con mayor o menor ajuste de tiempo. Vea la página 24.
- Para fundir, ablandar o entibiar otros alimentos o una cantidad de alimentos por encima o debajo de la cantidad permitida en la Tabla Melt/Soften/Warm, hágalo manualmente.

Tabla Melt/Soften/Warm

Alimento	Cantidad	Procedimiento
Melt (Fundir)		Use una taza medidora de Pyrex. Cubra con una película plástica.
1. Mantequilla	2 cucharadas 0.5 taza	Después de presionar Melt, presione el número <input type="button" value="1"/> dos veces para 2 cucharadas. Después de presionar Melt, presione el número <input type="button" value="1"/> tres veces para 0.5 taza.
2. Chocolate	1 taza de hojuelas 1 tableta	Después de presionar Melt, presione el número <input type="button" value="2"/> dos veces para una taza de hojuelas. Después de presionar Melt, presione el número <input type="button" value="2"/> tres veces para 1 tableta.
Soften (Ablandar)		NO CUBRIR.
1. Helado	1 pinta 0.5 galones	Después de presionar Soften, presione el número <input type="button" value="1"/> dos veces para 1 pinta. Después de presionar Soften, presione el número <input type="button" value="1"/> tres veces para 0.5 galones.
2. Queso crema	3 onzas 8 onzas	Después de presionar Soften, presione el número <input type="button" value="2"/> dos veces para 3 onzas. Después de presionar Soften, presione el número <input type="button" value="2"/> tres veces para 8 onzas.
Warm (Entibiar)		Use una taza medidora de Pyrex. NO CUBRIR.
1. Jarabe	1/4 de taza 1/2 de taza	Después de presionar Warm, presione el número <input type="button" value="1"/> dos veces para 1/4 de taza. Después de presionar Warm, presione el número <input type="button" value="1"/> tres veces para 1/2 de taza.
2. Glaseado para postres	1/4 de taza 1/2 de taza	Después de presionar Warm, presione el número <input type="button" value="2"/> dos veces para 1/4 de taza. Después de presionar Warm, presione el número <input type="button" value="2"/> tres veces para 1/2 de taza.

Panel de control y ajustes

Keep Warm (Conservar caliente)

Keep Warm permite mantener la comida caliente durante 30 minutos.

Uso directo

1. Presione el botón Keep Warm.
2. Ingrese el tiempo deseado presionando los botones de números **3 0 0 0**.
3. Presione el botón START/Add-A-Minute.

El horno empezará a funcionar. La pantalla mostrará **30:00** en conteo regresivo. **KEEP** **WARM** aparecerá en pantalla durante el conteo regresivo.

Con cocción manual

1. Ingrese el tiempo de cocción deseado y nivel de potencia.
2. Presione el botón Keep Warm.
3. Ingrese el tiempo de calentamiento deseado hasta 30 minutos.
4. Presione el botón Start/Add-A-Minute.

El horno empezará a funcionar. Al completar el tiempo de cocción, escuchará un tono largo y empezará la función Keep Warm. **KEEP** **WARM** se mostrará de forma intermitente durante la cuenta atrás.

NOTA:

- Si intenta introducir más de 30 minutos para mantener caliente, un mensaje de error aparecerá en la pantalla.
- Keep Warm no se puede programar con Sensor Popcorn, Sensor Reheat, Sensor Cook, Defrost y Reheat.

Cocción en múltiples secuencias

Su horno puede programarse para 4 secuencias de cocción automática, cambiando automáticamente de un ajuste de nivel de potencia a otro.

A veces, las instrucciones de cocción le indican empezar en un nivel de potencia y luego cambiar a un nivel de potencia diferente. Su horno puede hacerlo automáticamente.

- **Cocinar un bife asado por 5 minutos al 100 % y luego continuar la cocción por 30 minutos al 50%.**
1. En primer lugar introducir el tiempo de cocción. A continuación, toque el botón Power Level vez para el 100% de cocción o repetir botón Power Level tocar para un nivel de potencia inferior.
 2. Introduzca el segundo tiempo de cocción. almohadilla de tacto del nivel de potencia de repetición para el nivel deseado. Usted puede seguir este procedimiento hasta 4 veces. **TOUCH** **START**
 3. Presione el botón Start/Add-A-Minute.

NOTAS:

- Si se pulsa el botón Power Level, **P-HI** aparecerá en la pantalla.
- Si selecciona 100% como secuencia final, no es necesario presionar el botón Power Level.
- Se puede programar continuamente la función Keep Warm incluso si se ha ajustado 4 secuencias de cocción.
- Si desea conocer el nivel de potencia durante la cocción, sólo tiene que tocar el botón Power Level. Mientras que su dedo está tocando el botón Power Level, se mostrará el nivel de potencia.

Add-A-Minute (Añadir-A-Minuto)

La función Add-A-Minute le permite cocinar por un minuto al 100% con sólo presionar el botón Add-A-Minute. También puede extender el tiempo de cocción en múltiplos de 1 minuto presionando repetidamente el botón Add-A-Minute durante la cocción manual.

NOTAS:

- Para usar la función Add-A-Minute, presione el botón dentro de los 3 minutos posteriores a la cocción, cerrando la puerta o presionando el botón Stop/Clear.
- La función Add-A-Minute no puede ser usada con las Sensor settings, Reheat o Defrost.

Panel de control y ajustes

Mayor o menor ajuste de tiempo

Si decide que prefiere alguna de las opciones Sensor, Reheat o Defrost ligeramente más fuertes, presione una vez el botón Power Level después de presionar los botones de su elección o antes de presionar el botón Start/Add-A-Minute. La pantalla mostrará **MORE**.

Para hacerlo un poco menos, tocar el botón Power Level dos veces después de tocar su selección. La pantalla mostrará **LESS**.

Help (Ayuda - Indicador en pantalla)

Cada ajuste de Sensor Reheat, Sensor Cook, Sensor Popcorn, Keep Warm, Reheat y Defrost presenta una sugerencia de cocción. Si desea revisarlas, presione Help cuando esté encendido en la Pantalla interactiva para estas y otras sugerencias de operación manual.

Control lock (Bloqueo de Control)

Control Lock evita que el microondas en cajón sea operado accidentalmente por niños pequeños, por ejemplo. El Horno DrawerMicro puede ajustarse para que el panel de control se desactive o bloquee.

PARA BLOQUEAR

Presione el botón Control Lock durante 3 segundos. En la pantalla aparecerá **LOCK ON**.

PARA DESBLOQUEAR

Presione el botón Control Lock durante 3 segundos. En la pantalla aparecerá **LOCK OFF**.

El bloqueo de control se cancela cuando se interrumpe el suministro de energía eléctrica para su horno. Ajuste el bloqueo de control de nuevo cuando la alimentación al horno se restaure.

Setup/Help (Ajuste/Ayuda)

Si se interrumpe, el suministro de energía eléctrica del cajón con horno microondas el mensaje destellará intermitentemente en pantalla mostrando **ENJOY YOUR MICRO-WAVE TOUCH CLEAR AND TOUCH LOCK** luego de restablecer la energía. Si esto ocurre, se cancelará la opción Setup/Help. Presione el botón Stop/Clear y restablezca.

SUPRESIÓN DE LA SEÑAL AUDIBLE

Al finalizar el tiempo de cocción, se escuchará un sonido. Si desea suprimir la señal audible del electrodoméstico, puede desactivar las señales audibles.

PARA RESTAURAR EL SONIDO

1. Presione el botón Setup/Help. **TOUCH AGAIN**
2. Presione nuevamente el botón Setup/Help. **SOUND OFF ? TOUCH START**
3. Presione el botón Start/Add-A-Minute. En la pantalla aparecerá el mensaje **SOUND OFF**

PARA RESTAURAR EL SONIDO

1. Presione el botón Setup/Help. **TOUCH AGAIN**
2. Presione nuevamente el botón Setup/Help. **SOUND ON ? TOUCH START**
3. Presione el botón Start/Add-A-Minute. En la pantalla aparecerá el mensajes **SOUND ON**

RECORDATORIO DE FINALIZACIÓN DE COCCIÓN

Al finalizar el tiempo de cocción, el microondas emitirá una señal cada 10 segundos durante el primer minuto y luego cada 3 minutos hasta que se presione el botón Stop/Clear, hasta un máximo de una hora.

PARA DESACTIVAR EL RECORDATORIO

1. Presione tres veces el botón Setup/Help. En la pantalla aparecerá el mensaje **REMIND SIGNAL OFF ? TOUCH START**.
2. Presione el botón Start/Add-A-Minute. En la pantalla aparecerá el mensaje **REMIND SIGNAL OFF**.

Panel de control y ajustes

PARA ACTIVAR NUEVAMENTE LA SEÑAL DE RECORDATORIO

1. Presione tres veces el botón Setup/Help. En la pantalla aparecerá el mensaje **REMIND** **SIGNAL** **ON ?** **TOUCH** **START** .
2. Presione el botón Start/Add-A-Minute. En la pantalla aparecerá el mensaje **REMIND** **SIGNAL** **ON** .

INICIO AUTOMÁTICO

Si desea programar el Horno DrawerMicro para que inicie la cocción automáticamente en una determinada hora del día, siga este procedimiento.

1. Presione 4 veces el botón Setup/Help. En la pantalla aparecerá el mensaje **AUTO** **START** **TOUCH** **START**
2. Presione el botón Start/Add-A-Minute. **ENTER** **START** **TIME**
3. Ingrese la hora de inicio. **4:30** **TOUCH** **CLOCK**
4. Presione el botón Timer/Clock. **ENTER** **COOKING** **TIME**
5. Presione los botones de número para ingresar tiempo de cocción. **20.00** **TOUCH** **START** **OR** **TOUCH** **POWER** **LEVEL** **TOUCH** **START** . Presione el botón Power Level en repetidas veces hasta alcanzar el nivel de potencia deseado.
6. Presione el botón Start/Add-A-Minute.

MODO DEMOSTRACIÓN

PARA SELECCIONAR MODO DE DEMOSTRACIÓN

1. Presione cinco veces el botón Setup/Help. En la pantalla aparecerá el mensaje **DEMO ON?** **HOLD** **START** **3 SEC**
2. Presione el botón Start/Add-A-Minute durante 3 segundos. En la pantalla aparecerá el mensaje **DEMO ON** .

TO CANCEL DEMO MODE

1. Presione cinco veces el botón Setup/Help. En la pantalla aparecerá el mensaje **DEMO** **OFF ?** **TOUCH** **START** .
2. Presione el botón Start/Add-A-Minute. En la pantalla aparecerá el mensaje **DEMO** **OFF**

NOTA:

- La función Recalentar del Horno DrawerMicro no funciona en Modo demostración.
- El conteo regresivo de la pantalla ocurre rápidamente.

Timer (Temporizador)

1. Presione el botón Timer/Clock y el número **1**.
2. Ingrese el tiempo.
3. Presione nuevamente el botón Timer/Clock.

Para cancelar el temporizador, presione Stop/Clear.

Modo de espera

Este horno de microondas se pondrá en modo de espera después de un período de inactividad. La luz de fondo de la pantalla se atenúa automáticamente después de 3 minutos si la unidad no ha estado en funcionamiento. Si la pantalla está en modo de espera, sólo tiene que tocar el panel de control o abrir / cerrar la puerta para volver a la luz de fondo de brillo máximo.

Limpieza y mantenimiento

Cualquier pieza del equipo funciona mejor y dura más cuando se le mantiene correctamente y se conserva limpia. El equipo de cocina no es una excepción. Su Microondas con campana debe mantenerse limpio y conservado apropiadamente.

Desconecte el cable de alimentación antes de la limpieza o deje abierta la puerta para desactivar el horno durante la limpieza.

Exterior

La superficie exterior se reviste previamente metal y plástico. Limpie el exterior con jabón suave y agua; enjuagar y secar con un paño suave. No utilice ningún tipo de hogar o un limpiador abrasivo.

Superficie de acero inoxidable

La parte externa debe ser limpiada con frecuencia con un paño húmedo y se debe lustrar con un paño suave seco para mantener su belleza. Hay también una variedad de productos diseñados especialmente para limpiar y dar brillo al acabado exterior en acero del horno. Recomendamos que aplique el limpiador en un paño suave y luego lo pase por la parte externa del horno en lugar de aplicarlo directamente. Siga las instrucciones del paquete cuidadosamente.

Superficies de vidrio

Limpie cualquier salpicadura o derrame de la ventana por ambos lados con un paño húmedo. Las partes de metal son más fáciles de mantener si se limpian frecuentemente con un paño húmedo. Evite el uso de limpiadores con atomizadores o ásperos, ya que pueden manchar, vetear u opacar la superficie de la puerta.

Panel de control táctil

Si desea, puede desactivar los botones antes de realizar la limpieza. Vea la información de Bloqueo de control en la página 24 de este manual. Limpie el panel con un paño humedecido ligeramente sólo con agua. Seque con un paño suave. No restriegue ni use ningún tipo de limpiador químico. Cierre la puerta y siga las instrucciones de la página 24 para apagar el Bloqueo de control. Presione el botón Stop/Clear.

Parte interna

Antes de limpiar el DrawerMicro el horno, presione y mantenga presionado el botón de bloqueo de control durante 3 segundos para bloquear el teclado de control y el mecanismo de puerta automática. El cajón puede ser bloqueado en la posición abierta o cerrada. La pantalla mostrará **LOCK ON**. Esto evitará que el cajón se abra o cierre durante la limpieza accidentalmente. Después de la limpieza, toque y mantenga presionado el botón de bloqueo de control durante 3 segundos para desactivar el bloqueo. La pantalla mostrará **LOCK OFF**.

La limpieza es simple debido a que el calor se genera en las superficies internas; por lo tanto, no hay residuos ni derrames quemados. Para limpiar las superficies internas, incluyendo las superficies de sellado del cajón, limpie con un paño suave húmedo. **NO USE LIMPIADORES ABRASIVOS O ÁSPEROS O ESPONJILLAS DE FREGAR.** Para suciedad más difícil de eliminar, use jabón suave; limpie con un paño suave húmedo. No use ningún tipo de limpiador químico para hornos.

Guías del cajón

Retire los restos de alimentos de las guías del cajón. Limpie con un paño suave seco para eliminar restos que puedan obstaculizar al momento de abrir o cerrar el Horno DrawerMicro.

Cubierta de la guía de onda

ATENCIÓN La cubierta de la guía de onda que se encuentra en la parte superior interna del Horno DrawerMicro está hecha de mica por lo que requiere de un cuidado especial. Conserve limpia la cubierta de la guía de onda para asegurar un buen rendimiento del microondas. Limpie cuidadosamente con un paño suave húmedo los restos de comida en la superficie de la cubierta inmediatamente después de que hayan ocurrido las salpicaduras. Las salpicaduras acumuladas pueden provocar sobrecalentamiento y ocasionar humo o posiblemente incendiarse. No retire la cubierta de la guía de onda.

Eliminación de olores

Ocasionalmente, el olor de la cocción puede permanecer en el Horno DrawerMicro. Para eliminarlo, mezcle 1 taza de agua, el jugo de un limón y su cáscara rallada y varios clavos enteros en una taza de medida de vidrio con capacidad para dos tazas. Hierva por varios minutos utilizando la potencia al 100%. Deje reposar en el Horno DrawerMicro hasta que se enfríe. Limpie el interior con un paño suave.

Antes de solicitar servicio

Revise la siguiente información antes de solicitar servicio. Esto puede ayudarle a ahorrar tiempo y dinero.

PROBLEMA	POSIBLE CAUSA	SOLUCIÓN
1. Un componente o todo el Horno DrawerMicro no funcionan.	<ul style="list-style-type: none"> El cable de alimentación del Horno DrawerMicro no está totalmente conectado al tomacorriente eléctrico. Corte de energía eléctrica. La caja de fusibles/el interruptor de circuito no funciona. El Horno DrawerMicro se encuentra en Modo demostración. 	<ul style="list-style-type: none"> Asegúrese de que el cable de alimentación está conectado al tomacorriente. Verifique que las luces de su hogar funcionen. Solicite servicio a la compañía de electricidad de su localidad. Reemplace la caja de fusibles o restablezca el interruptor de circuito. Vea la página 25 para cancelar el Modo demostración.
2. El Horno DrawerMicro no recalienta los alimentos.	<ul style="list-style-type: none"> El electrodoméstico no enciende. Los controles del Horno DrawerMicro no están correctamente ajustados. El Horno DrawerMicro se encuentra en Modo demostración. 	<ul style="list-style-type: none"> Vea la SOLUCIÓN para el PROBLEMA 1. Verifique si los controles están correctamente ajustados. Vea la página 25.
3. La luz del Horno DrawerMicro no funciona.	<ul style="list-style-type: none"> La bombilla no está bien enroscada o está quemada. 	<ul style="list-style-type: none"> Solicite servicio.
4. Los controles táctiles no funcionan.	<ul style="list-style-type: none"> El Bloque de control está encendido. 	<ul style="list-style-type: none"> Vea la página 24 para desbloquear.
5. La pantalla se enciende y apaga.	<ul style="list-style-type: none"> Falla en el suministro eléctrico. 	<ul style="list-style-type: none"> Presione el botón Clear y restablezca el reloj. Si el Horno DrawerMicro está en uso, debe restablecer la función cocción.
6. Las ranuras de ventilación emiten vapor.	<ul style="list-style-type: none"> Durante la cocción, el vapor debe salir del lado derecho del orificio de ventilación. 	

Información de servicio

Si se necesita servicio:

1. Llame a agencia de servicio autorizada.
2. Debe tener disponible la siguiente información:
 - a. Número de modelo
 - b. Número de serie
 - c. Fecha de compra
 - d. Nombre del distribuidor al que le realizó la compra
3. Describa claramente el problema que tiene.

Si no puede obtener el nombre de una agencia de servicio autorizada o si continúa teniendo un problema de servicio, comuníquese con Viking Range, LLC al 1-888-845-4641 o escriba a:

VIKING RANGE, LLC
PREFERRED SERVICE
111 Front Street
Greenwood, Mississippi 38930 EE.UU.

Coloque la información que se indica a continuación. Será necesaria si alguna vez requiere del servicio. El número de modelo y de serie de su horno microondas se encuentra en la etiqueta de identificación al lado izquierdo de la cavidad del horno.

Número de modelo _____ Número de serie _____

Fecha de compra _____ Fecha de instalación _____

Distribuidor _____

Dirección _____

Si el servicio requiere de instalación de partes, use sólo las partes autorizadas para garantizar la protección bajo la garantía.

CONSERVE ESTE MANUAL PARA REFERENCIA FUTURA

Garantía

Garantía del horno DrawerMicro

DOS AÑOS DE GARANTÍA COMPLETA

El Horno DrawerMicro y todas las partes y accesorios del componente, excepto como se detalla a continuación*, están garantizadas de no presentar materiales o mano de obra defectuosa en uso doméstico normal por un periodo de dos (2) años a partir de la fecha de compra original al por menor. Viking Range, LLC, garante, se compromete a reparar o reemplazar, a su elección, cualquier parte que falle o se encuentre defectuosa durante el periodo de garantía.

*Los artículos de vidrio (incluyendo las bombillas), pintados y decorativos están garantizados de no presentar materiales o mano de obra defectuosa por un periodo de noventa (90) días a partir de la fecha de compra original al por menor. CUALQUIER DEFECTO DEBE SER INFORMADO AL DISTRIBUIDOR DE VENTA DENTRO DE LOS NOVENTA (90) DÍAS A PARTIR DE LA FECHA DE COMPRA ORIGINAL AL POR MENOR.

GARANTÍA LIMITADA DE CINCO AÑOS

Si el tubo de magnetrón falla debido a materiales o mano de obra defectuosa en uso doméstico normal durante el segundo al quinto año a partir de la fecha de compra original al por menor, será reparado o reemplazado, sin cargo para dicha parte, pagando el propietario todos los demás gastos, incluyendo mano de obra.

Esta garantía se extiende al comprador original del producto que aquí se garantiza y a cada propietario cesionario del producto durante el plazo de la garantía.

Esta garantía se aplicará a los productos comprados y ubicados aquí en los Estados Unidos y Canadá. Los productos deberán ser adquiridos en el país donde se solicite el servicio. La mano de obra de garantía debe ser realizada por una agencia de servicio o representante autorizado de Viking Range, LLC. La garantía no se aplicará a daños que resulten de abuso, accidente, desastres naturales, pérdida de energía eléctrica para el producto por cualquier razón, alteración, uso al aire libre, instalación inadecuada, operación, reparación o servicio inadecuado del producto por alguien ajeno a una agencia de servicio o representante autorizado de Viking Range, LLC. Esta garantía no se aplica para uso comercial. El garante no se responsabiliza por daños resultantes o accidentales si surgen como resultado del incumplimiento de la garantía, incumplimiento del contrato, u otro. Algunas jurisdicciones no aceptan la exclusión o limitación de daños accidentales o resultantes, de modo que la limitación antes mencionada puede no aplicarse a usted.

El propietario debe ser responsable de una adecuada instalación, proporcionando un cuidado y mantenimiento normal, proporcionando el Comprobante de compra cuando se le solicite, y haciendo que el electrodoméstico esté razonablemente accesible para reparación. Si el producto o una de las partes del componente contienen un defecto o falla durante el periodo de garantía, después de un número razonable de intentos por parte del garante para remediar los defectos o fallas, el propietario tiene derecho a un reembolso o reemplazo del producto o de la parte o partes del componente. La responsabilidad del garante en cualquier reclamo de cualquier tipo, con respecto a los productos o servicios que aquí se cubren, no deberá en ningún caso exceder el precio de los productos o servicio de dicha parte que origine el reclamo.

SERVICIO DE GARANTÍA: Bajo los términos de esta garantía, el servicio debe ser realizado por un representante o agente de servicio de Viking Range, LLC autorizado por la fábrica. Se brindará el servicio durante las horas normales de oficina, y la mano de obra realizada en horas extras o tarifas premium no estarán cubiertas por esta garantía. Para obtener el servicio de garantía, comuníquese con el distribuidor al que le compró el producto, un agente de servicio autorizado de Viking Range, LLC, o con Viking Range, LLC. Proporcione el modelo y número de serie y la fecha de compra original. Para conocer el nombre de su agencia de servicio autorizada de Viking Range, LLC más cercana, llame al distribuidor al que le compró el producto o a Viking Range, LLC.

IMPORTANTE: Conserve el comprobante de compra original para establecer el periodo de garantía.

La devolución de la Tarjeta de registro del propietario no es una condición de cobertura de la garantía. Sin embargo, debe devolver la Tarjeta de registro del propietario para que Viking Range, LLC pueda contactarse con usted en caso de surgir alguna pregunta o seguridad que pueda afectarlo.

Cualquier garantía implícita de comerciabilidad y adaptación aplicable a los elementos o partes descritas anteriormente está limitada en duración al periodo de cobertura de las garantías limitadas escritas expresas aplicables establecidas anteriormente. Algunas jurisdicciones no permiten limitaciones sobre cuánto tiempo dura una garantía implícita, de modo que la limitación antes mencionada puede no aplicarse a usted. Esta garantía le otorga derechos legales específicos y también puede tener otros derechos que pueden variar de jurisdicción en jurisdicción.

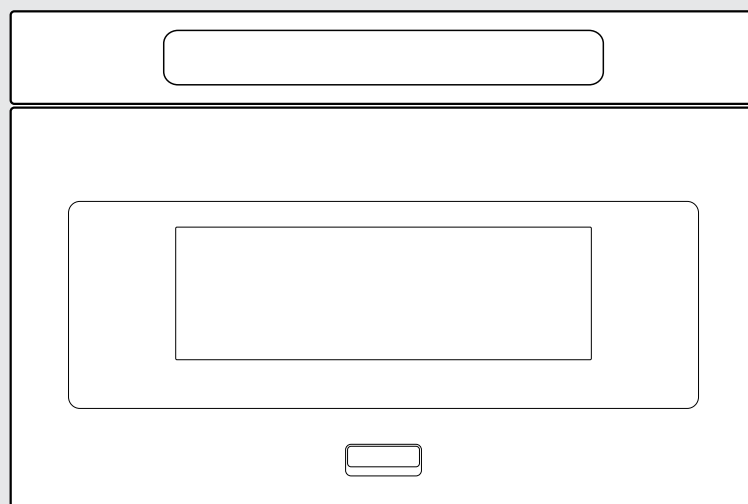
Viking Range, LLC

111 Front Street

Greenwood, Mississippi (MS) 38930 USA (888) 845-4641

Especificaciones sujetas a cambios sin previo aviso.
Para más información del producto, llame al 1-888-845-4641
o visite el sitio Web en vikingrange.com

Manuel d'utilisation et d'entretien



Four DrawerMicro™
VMOD5240 / CVMOD5240

Félicitations

Félicitations et bienvenue. Nous espérons que vous apprécierez à sa juste valeur le soin et l'attention que nous avons portés à chaque détail de votre nouveau four DrawerMicro.

Votre four DrawerMicro est conçu pour offrir des années de service fiable. Ce guide d'utilisation et d'entretien vous fournira l'information nécessaire pour vous familiariser avec l'entretien et le fonctionnement de votre hotte.

Notre but est votre satisfaction complète. Si vous avez des questions ou des commentaires concernant ce produit, veuillez communiquer avec le revendeur duquel vous l'avez acheté, ou avec notre centre d'assistance à la clientèle au 1-888-845-4641.

Nous vous savons gré d'avoir choisi un four DrawerMicro et nous espérons que vous choisirez à nouveau nos produits pour vos autres besoins importants en four.

Pour plus de renseignements au sujet de notre gamme complète et en expansion de produits, communiquez avec votre revendeur ou consultez-nous en ligne à vikingrange.com ou au Canada (www.brigade.ca).

Table des matières

Avant de commencer	5
Advertisements	5
Précautions importantes	7
Important–Prière de lire et de suivre	9
Sur le déballage et l'évaluation de votre Four DrawerMicro	9
Instructions de mise à la terre électriques	9
Avant d'utiliser le four à micro-ondes	9
Sécurité de la batterie de cuisine	10
Sécurité des enfants	11
Sécurité des aliments	11
À propos des aliments	12
Sécurité de la cuisson	13
Avant l'utilisation	14
Réglage de l'horloge	14
Stop/Clear (Arrêt/Annulation)	14
Ouverture ou fermeture du tiroir	14
Commandes du produit	15
Caractéristiques	15
Feuille des touches	15
Utilisation	16
Panneau de commandes et réglages	16
Temps de cuisson	16
Réglage du niveau de puissance	16
Cuisson commandée par capteur	17
Manières de couvrir les aliments	17
Sensor Popcorn / Sensor Reheat (Mais Soufflé Au Capteur / Réchauffage Au Capteur)	18
Sensor Cook (Cuisson au capteur)	18
Defrost (Décongélation)	20
Décongélation manuelle	20
Reheat (Réchauffage)	21

Table des matières

Beverage Center (Centre de boissons) _____	21
Melt/Soften/Warm (Fondre/Ramollir/Chauffer) _____	22
Keep Warm (Réchaud) _____	23
Cuisson à séquences multiples _____	23
Add-A-Minute _____	24
Réglage de durée en plus ou en moins _____	24
Help (Aide - sur l'afficheur) _____	24
Control lock (Verrouillage des commandes) _____	24
Setup/Help (Réglages/Aide) _____	24
Timer (Minuterie) _____	25
Mode veille _____	25
Entretien du produit _____	26
Nettoyage et entretien _____	26
Extérieur _____	26
Surface en acier inoxydable _____	26
Avant du tiroir _____	26
Tableau de commandes _____	26
Intérieur _____	26
Glissières du Micro-onde tiroir _____	26
Couvercle du guide d'ondes _____	26
Désodorisation _____	26
Avant d'appeler un technicien _____	27
Informations de dépannage _____	28
Garantie _____	29

Avertissements

Les mises en garde et les importantes consignes de sécurité apparaissant dans ce manuel ne couvrent pas toutes les conditions et situations possibles. Il faut exercer son bon sens, de la prudence et de l'attention en installant, en entretenant ou en utilisant cet appareil.

TOUJOURS communiquer avec le fabricant au sujet des problèmes ou des conditions que vous ne comprenez pas.

Reconnaissez les symboles, mots et étiquettes de sécurité



Lire et observer toutes les instructions avant d'utiliser cet appareil

pour prévenir le risque d'incendie, les décharges électriques, les blessures corporelles ou les dommages à l'appareil résultant de son usage inadéquat. N'utiliser l'appareil qu'aux fins décrites dans ce manuel.

Pour garantir une utilisation appropriée et sans danger : un technicien qualifié doit installer correctement cet appareil et le mettre à la terre. **NE PAS** essayer d'ajuster, réparer ou remplacer de pièce de votre appareil à moins d'une recommandation spécifique dans ce mode d'emploi. Il faut confier toutes les autres réparations à un technicien qualifié.

Advertissements

PRÉCAUTIONS POUR ÉVITER LE RISQUE D'UNE EXPOSITION AUX MICRO-ONDES

- (a) Ne pas essayer de faire fonctionner ce four lorsque que la porte est ouverte, car le fonctionnement avec la porte ouverte pourrait entraîner une exposition dangereuse aux micro-ondes. Il est important que le système de fermeture de sûreté ne soit pas désamorcé ou modifié.
- (b) Ne placer aucun objet entre le cadre et la porte du four et ne pas laisser de saleté ou de traces de produits de nettoyage s'accumuler sur les surfaces d'étanchéité.
- (c) Ne pas utiliser le four s'il est endommagé. Il est particulièrement important que la porte ferme correctement et que les éléments suivants ne présentent pas de défauts : (1) porte (gauchie), (2) charnières et verrous (brisés ou desserrés), (3) joints et surfaces d'étanchéité de la porte.
- (d) Le four ne doit être réglé ou réparé que par du personnel d'entretien qualifié.

ATTENTION



Un mauvais usage de la prise de terre peut causer des chocs électriques.

PRÉCAUTIONS IMPORTANTES

Certaines précautions de sécurité devraient toujours être prises lorsqu'on se sert d'appareils électriques :

AVERTISSEMENT - Pour réduire les risques de brûlures, de chocs électriques, de feu, de blessures ou d'exposition aux micro-ondes :

1. Lire toutes les instructions avant de se servir de l'appareil.
2. Lire et suivre les PRÉCAUTIONS POUR ÉVITER LE RISQUE D'UNE EXPOSITION AUX MICRO-ONDES à la page 6.
3. Cet appareil doit être mis à la terre. Brancher seulement à une prise à trois broches. Se reporter aux «INSTRUCTIONS DE MISE À LA TERRE ÉLECTRIQUES», à la page 9.
4. Installer ou placer l'appareil conformément aux instructions d'installation fournies.
5. Certains produits comme des oeufs entiers et des contenants scellés – par exemple des bocaux en verre fermés – peuvent exploser et ne devraient pas être utilisés dans ce four.
6. N'utiliser cet appareil qu'aux fins décrites dans ce manuel. Ne pas utiliser de produits corrosifs dans le four à micro-ondes. Ce four a été conçu pour la cuisson et le séchage des aliments, et non pour un usage industriel ou des laboratoires.
7. Comme pour tout appareil, exercer une surveillance étroite quand des enfants l'utilisent.
8. Ne pas faire fonctionner l'appareil si le cordon ou la fiche sont endommagés, si l'appareil ne fonctionne pas bien ou s'il a été endommagé ou est tombé.
9. Cet appareil ne doit être réparé que par du personnel de service autorisé. Communiquer avec le service de réparations autorisé Viking Range, LLC le plus proche pour un examen, une réparation ou un réglage.
10. Ne pas couvrir ni bloquer d'ouverture de l'appareil.
11. Ne pas ranger ou utiliser cet appareil à l'extérieur. Ne pas utiliser ce produit près de l'eau —par exemple, près d'un évier de cuisine, dans un sous-sol humide, près d'une piscine ou autre endroit semblable.
12. Ne pas immerger le cordon ou la fiche dans l'eau.
13. Tenir le cordon loin des surfaces chauffées.
14. Ne pas monter ou s'asseoir sur de l'appareil.
15. Assurez-vous de ne pas tenir vos doigts ou autres objets ou matériaux près de l'ouverture du tiroir quand le l'appareil est fermé.
16. Ne pas placer les doigts ou des vêtements près des glissières du tiroir lors de l'ouverture ou de la fermeture du l'appareil. Il pourrait être pris dans les glissières lors de la fermeture du tiroir.
17. Vérifier que la nourriture ou le contenant sont plus petits que du tiroir avant de le fermer. Vous pouvez vous reporter à la hauteur des parois latérales cet appareil.
18. Lors du nettoyage des surfaces d'étanchéité qui viennent en contact lors de la fermeture l'appareil, utiliser uniquement des savons ou des détergents doux non abrasifs à l'aide d'une éponge ou d'un chiffon doux. Voir les consignes de nettoyage à la page 26.
19. Pour réduire le risque d'incendie dans la cavité du l'appareil:
 - a. Ne pas trop faire cuire les aliments. Rester prudemment près du four lorsqu'on utilise du papier, du plastique ou tout autre matériel combustible pour faciliter la cuisson.
 - b. Retirer les attaches de métal des sacs de papier ou de plastique avant de mettre les sacs au four.
 - c. Si les matériaux à l'intérieur du l'appareil prennent feu, garder la porte du four fermée, arrêter le four et couper l'électricité au fusible ou au panneau d'entrée.
 - d. Ne pas utiliser la cavité comme espace de rangement. Ne laisser ni papier, ni ustensiles de cuisson, ni aliments dans l'appareil lorsque l'appareil n'est pas utilisé.

PRÉCAUTIONS IMPORTANTES

20. Des liquides comme l'eau, le café ou le thé peuvent chauffer au-delà du point d'ébullition sans qu'aucun bouillonnement n'apparaisse à cause de la tension de surface du liquide. Ainsi, quand le contenant est retiré de l'appareil, il peut ne pas y avoir d'ébullition ou de bouillonnement apparents. IL PEUT EN RÉSULTER UN DÉBORDEMENT DES LIQUIDES TRÈS CHAUDS LORSQU'UNE CUILLER OU UN AUTRE USTENSILE EST PLONGÉ DANS LE LIQUIDE.

Pour réduire le risque de blessures personnelles :

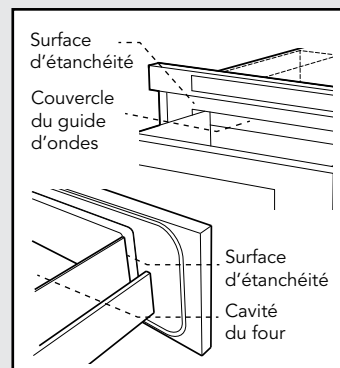
- a. Ne pas trop chauffer le liquide.
 - b. Remuer le liquide et avant de le chauffer et à mi-cuisson.
 - c. Ne pas utiliser de contenants à bords droits et à goulot mince. Utiliser un bocal à large goulot.
 - d. Après le chauffage, laisser reposer le contenant dans le four à l'appareil pour au moins 20 secondes avant de le retirer.
 - e. Faire très attention lorsque vous mettez une cuiller ou un autre ustensile dans le contenant.
21. Si la lumière du four ne s'allume pas, communiquer avec un BUREAU DE SERVICE VIKING RANGE, LLC AUTORISÉ.

CONSERVER CE MODE D'EMPLOI

IMPORTANT – Prière de lire et de suivre

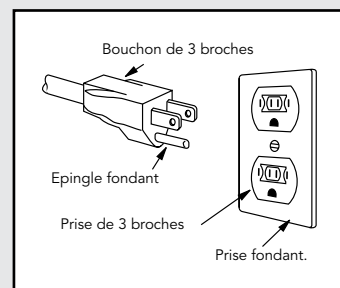
Sur le déballage et l'évaluation de votre Four DrawerMicro

1. Retirez tout le matériel d'emballage qui se trouve dans le Four DrawerMicro. N'ENLEVEZ PAS LE COUVERCLE DU GUIDE D'ONDES, qui se trouve sur le dessus du Four DrawerMicro.
2. Enlevez l'autocollant descriptif, s'il y en a un. Vérifiez le tiroir pour des dommages éventuels, tels un mauvais alignement ou un tiroir tordu, des surfaces d'étanchéité endommagées sur le tiroir et sur les surfaces, des glissières cassées ou lâches et des enfoncements dans la cavité ou sur la face avant du tiroir. En cas de dommages, n'utilisez pas le Four DrawerMicro : contactez votre AGENT DE SERVICE AGRÉÉ.



INSTRUCTIONS DE MISE À LA TERRE ÉLECTRIQUES

Cet appareil doit être mis à la terre. En cas de court-circuit électrique, la mise à la terre réduit les risques de choc électrique en permettant au courant de s'échapper par le fil de mise à la terre. Ce four est équipé d'un cordon d'alimentation avec fil de mise à la terre, et d'une fiche de mise à la terre. Il faut le brancher dans une prise murale correctement installée et mise à la terre selon le Code national de l'électricité et les codes et décrets locaux.



⚠ ADVERTISSEMENT

Un mauvais usage de la prise de terre peut causer des chocs électriques.

NE PAS UTILISER UNE RALLONGE. SI LE CORDON D'ALIMENTATION EST TROP COURT, UN ÉLECTRICIEN QUALIFIÉ D'INSTALLER UNE PRISE PRÈS DE L'APPAREIL.

Si vous avez des questions au sujet de la mise à la terre ou des instructions électriques, consulter un électricien ou un service personne qualifiée.

NOTAS :

- Pour toute question à propos de l'installation électrique ou de la mise à la terre, consulter un électricien de métier ou un réparateur qualifié.
- Ni Viking Range, LLC ni le détaillant ne peuvent être tenus responsables des dommages au four ou des blessures causés par une installation qui ne respecte pas les normes.

Interférence radio ou télévision

Si le Four DrawerMicro provoque des parasites à votre radio ou à votre téléviseur, vérifiez que le Four DrawerMicro est branché sur un circuit électrique différent et éloignez la radio ou le téléviseur autant que possible du tiroir, ou bien vérifiez le positionnement et le signal de l'antenne réceptrice.

Avant d'utiliser le Four DrawerMicro

S'assurer à ce qu'il y ait **TOUJOURS** des aliments dans le four lorsqu'il est allumé, de sorte qu'ils absorbent l'énergie produite.

Il ne faut pas bloquer la sortie d'air sur le dessous du Four DrawerMicro. Lorsque le micro-ondes fonctionne, il se peut que de la vapeur échappe du côté droit de cette sortie d'air.

Lors d'utiliser le Four DrawerMicro à des allures en dessous de 100%, il se peut que vous entendiez le fonctionnement cyclique du magnétron. Il est normal que l'extérieur du Four DrawerMicro soit chaud au toucher pendant la cuisson ou le réchauffage.

La condensation est normale pendant la cuisson au micro-ondes. L'humidité ambiante et la teneur en humidité de l'aliment influenceront sur le niveau de condensation dans le Four DrawerMicro. En règle générale, les aliments recouverts produiront moins de condensation que des aliments non recouverts.

IMPORTANT – Prière de lire et de suivre

Le Four DrawerMicro est seulement pour préparer des aliments. Il ne faut pas l'utiliser pour sécher des vêtements ou des journaux.

Votre Four DrawerMicro a une puissance nominale de 950 watts selon la procédure d'épreuve IEC. Quand vous suivez des recettes ou des modes d'emploi sur l'emballage de l'aliment, vérifiez l'aliment une minute ou deux avant l'échéance du temps de cuisson minimum, puis ajoutez du temps au besoin.

Si l'on ouvre ou ferme rapidement le Four DrawerMicro, il se peut que l'aliment soit déversé ou renversé. Pour nettoyer, consultez la section d'entretien et de nettoyage à la page 33.

Sécurité de la batterie de cuisine

- Utiliser des maniches sèches et solides. Les maniches humides pourraient causer des brûlures de vapeur. Il **NE** faut **JAMAIS** se servir de linges à vaisselle ou autres substituts, car ils pourraient traîner sur des éléments chauds et prendre en feu ou être pris dans les pièces de l'appareil.
- **NE PAS** chauffer de contenants fermés d'aliments; de la pression pourrait s'accumuler, faire exploser le contenant et causer des blessures.
- Faire attention en ouvrant la porte du four à micro-ondes. Laisser l'air chaud ou la vapeur s'échapper avant de retirer ou de remettre des aliments.
- **AVERTISSEMENT RELATIF AUX ALIMENTS PRÉPARÉS** : Observer les instructions du fabricant des aliments. Si un contenant en plastique d'aliments congelés ou son couvercle se déforme, gauchit ou est autrement endommagé durant la cuisson, jeter immédiatement les aliments et le contenant. Les aliments peuvent être contaminés.

Il n'est pas nécessaire d'acheter une nouvelle batterie de cuisine. La plupart des ustensiles dont on dispose habituellement dans un ménage peuvent être utilisés dans le four à micro-ondes. S'assurer que les ustensiles ne touchent pas les parois intérieures pendant la cuisson.

On peut utiliser les ustensiles et matériaux suivants pour cuire et réchauffer sans danger dans un four à micro-ondes :

- la vitrocéramique (Pyroceram®), comme Corningware®
- le verre résistant à la chaleur (Pyrex®)
- les plastiques pour micro-ondes
- les assiettes en papier
- la céramique, la poterie, la porcelaine pour micro-ondes
- les plats à brunir (ne pas dépasser les temps de préchauffage recommandés. Suivre les instructions du fabricant.)

Les articles suivants peuvent être utilisés pour le réchauffage très court des aliments qui contiennent peu de sucre ou de graisses :

- le bois, la paille et l'osier

NE PAS UTILISER

- des poêles et des plats de cuisson métalliques
- des plats à bordure métallique
- du verre qui ne résiste pas à la chaleur
- des plastiques qui ne conviennent pas aux micro-ondes (contenants de margarine)
- des produits en papier recyclé
- des sacs en papier
- des sacs pour la conservation des aliments
- des attaches métalliques

Pour vérifier si un plat va au four à micro-ondes, le placer dans le four et mettre le four en marche à la puissance maximale pendant 30 secondes. Si le plat devient très chaud, il ne faut pas l'employer.

Les produits et articles suivants peuvent être utilisés pour couvrir les plats, récipients, etc. :

- Les essuie-tout conviennent bien pour recouvrir les aliments pendant le réchauffage et pour absorber la graisse de cuisson du bacon.
- Le papier ciré peut être employé pour la cuisson et le réchauffage.

IMPORTANT – Prière de lire et de suivre

- Le film plastique destiné spécialement à l'usage en four à micro-ondes peut être utilisé pour la cuisson et le réchauffage. Le film plastique ne doit JAMAIS entrer en contact avec les aliments. Faire une ouverture pour laisser la vapeur s'échapper.
- Les couvercles pour micro-ondes sont un très bon choix, car ils concentrent la chaleur sur les aliments et accélèrent la cuisson.
- Les sacs de cuisson au four conviennent pour les grosses pièces de viande ou les aliments à attendrir. NE PAS UTILISER d'attaches métalliques. Percer le sac pour laisser s'échapper la vapeur.

Utilisation du papier d'aluminium dans le four à micro-ondes :

- Un petit morceau non froissé de papier d'aluminium posé sur les aliments peut être utilisé pour protéger les parties qui décongèlent ou cuisent trop rapidement.
- Le papier d'aluminium doit être à au moins 2,5 cm des parois du four.

Pour toute question concernant les ustensiles ou la manière de couvrir les aliments, consulter un bon livre de cuisine spécialisé en micro-ondes ou suivre les conseils de la recette.

Accessoires

De nombreux accessoires pour four à micro-ondes sont offerts sur le marché. Évaluer soigneusement ses besoins avant d'en faire l'acquisition. Un thermomètre pour micro-ondes permettra de vérifier la cuisson et de s'assurer que les aliments sont cuits à point et à la bonne température. Viking Range, LLC n'est pas responsable des dommages au four résultant de l'utilisation d'accessoires.

Sécurité des enfants

- Les enfants de moins de 7 ans devraient utiliser le four à micro-ondes seulement sous la surveillance étroite d'un adulte. Les enfants de 7 à 12 ans devraient utiliser l'appareil sous la surveillance d'un adulte se trouvant dans la même pièce qu'eux.
- L'enfant doit être capable d'atteindre facilement le four; sinon, le faire monter sur un tabouret robuste et stable.
- Il ne faut jamais s'appuyer ou s'accrocher à la porte du four à micro-ondes. Il faut enseigner les mesures de sécurité aux enfants : employer des gants isolants, enlever les couvercles avec précaution, faire très attention aux contenants d'aliments croustillants qui peuvent devenir très chauds.
- Ne pas présumer qu'un enfant qui connaît bien une fonction de l'appareil les connaît toutes.
- Les enfants doivent savoir qu'un four à micro-ondes n'est pas un jouet. Voir la page 24 pour obtenir des renseignements sur le verrouillage de sécurité.

Sécurité des aliments

- Coloque el alimento en el centro de la cavidad de horno. Posez l'aliment au centre de la cavité du four. Disposer les aliments avec soin. Placer la partie la plus épaisse des aliments vers l'extérieur du plat.
- Surveiller le temps de cuisson. Cuire les aliments pendant la plus courte période indiquée et prolonger la cuisson au besoin. Des aliments trop cuits peuvent fumer ou prendre feu.
- Recouvrir les aliments pendant la cuisson. Selon la recette ou le livre de cuisine, utiliser un essuie-tout, du papier ciré, un film plastique allant au micro-ondes ou un couvercle. Couvrir les aliments empêche les éclaboussures et leur permet de cuire de manière uniforme.
- Protéger les parties de viande ou de volaille très minces par des petits écrans en papier d'aluminium pour éviter qu'ils ne cuisent trop vite par rapport aux parties plus épaisses.
- Si possible, remuer les aliments de l'extérieur du plat vers le centre une ou deux fois pendant la cuisson.
- Retourner les aliments comme du poulet et des galettes de viande une fois au cours de la cuisson afin d'accélérer le processus. Il faut retourner les grosses pièces comme les rôtis au moins une fois.
- Au milieu de la cuisson, déplacer les aliments comme les boulettes de viande, de l'intérieur du plat vers l'extérieur, et du haut vers le bas.
- Prévoir du temps de repos. Retirer les aliments du four et, si possible, les remuer. Couvrir les aliments pendant ce temps pour leur permettre de finir de cuire.
- Vérifier la cuisson. Rechercher les signes qui indiquent que les aliments sont cuits à point.

IMPORTANT – Prière de lire et de suivre

Ces signes incluent :

- La vapeur s'élève de toute la surface des aliments, pas seulement des bords.
- Le fond du plat est très chaud au toucher.
- Les cuisses de poulet se détachent facilement.
- La viande et la volaille ne présentent plus de parties rosées.
- Le poisson est opaque et se défait facilement à la fourchette.

À Propos Des Aliments

Aliment	A faire	A ne pas faire
Œufs, saucisses noix, graines, fruits et légumes	<ul style="list-style-type: none"> • Percer les jaunes pour éviter qu'ils n'éclatent pendant la cuisson. • Piquer la pelure des pommes de terre, des pommes, des courges ainsi que les saucisses afin de permettre à la vapeur de s'échapper. 	<ul style="list-style-type: none"> • Cuire les œufs dans leur coquille. • Réchauffer des œufs entiers. • Faire sécher les noix ou les graines dans leur écaille.
Maïs soufflé	<ul style="list-style-type: none"> • Utiliser seulement du maïs soufflé pour micro-ondes. • Attendre que seuls quelques grains isolés éclatent toutes les 1 ou 2 secondes, ou appuyer sur la touche Sensor Popcorn. 	<ul style="list-style-type: none"> • Faire éclater des grains de maïs dans des sacs de papier brun ou dans un bol de verre. • Dépasser le temps indiqué sur l'emballage.
Aliments pour bébés	<ul style="list-style-type: none"> • Transférer la nourriture dans de petits plats et faire réchauffer doucement, en remuant souvent. Vérifier la température des aliments avant de servir. • Mettre la tétine sur le biberon après l'avoir réchauffé et bien brassé celui-ci ce dernier faire le «test du poignet» avant de donner le biberon à bébé. 	<ul style="list-style-type: none"> • Faire chauffer les aliments commerciaux pour bébés dans leurs pots. • Faire chauffer des biberons jetables. • Faire chauffer les biberons avec la tétine.
Généralités	<ul style="list-style-type: none"> • Après avoir réchauffé des aliments contenant une garniture, les couper afin de laisser s'échapper la vapeur et d'éviter des brûlures. • Bien mélanger les liquides avant et après la cuisson pour que la chaleur soit uniforme. • Faire cuire les aliments liquides et les céréales dans un bol profond afin d'éviter qu'ils ne débordent. • Vous pouvez vous reporter à la hauteur des parois latérales du tiroir. 	<ul style="list-style-type: none"> • Réchauffer ou faire cuire des aliments dans des contenants hermétiques ou fermés en verre. • Préparer des conserves au four à micro-ondes, car des bactéries dangereuses pourraient ne pas être tuées. • Utiliser le four à micro-ondes pour faire de la friture. • Faire sécher du bois, des courges, des herbes ou du papier.

IMPORTANT – Prière de lire et de suivre

Sécurité de la cuisson

Vérifiez que les aliments sont cuits conformément aux températures recommandées par le United States Department of Agriculture (Ministère de l'agriculture des États-Unis).

Temp	Aliment
145°F (63°C)	Poisson
160°F (71°C)	Le porc, le bœuf haché / veau / agneau, plats d'oeufs
165°F (74°C)	Pour les restes de table, les aliments réfrigérés prêts-à-réchauffer, et les aliments frais d'un traiteur ou l'équivalent. Ensemble, et le sol des morceaux de dinde / poulet / canard.
170°F (74°C)	La viande blanche de volaille
180°F (74°C)	La viande sombre de volaille.

Pour vérifier que les aliments sont cuits à point, insérer un thermomètre à viande dans un endroit épais, à l'écart de la graisse et des os. Ne **JAMAIS** laisser le thermomètre dans les aliments qui cuisent, sauf s'il est approuvé pour emploi aux micro-ondes.

- **TOUJOURS** utiliser des gants isolants pour éviter des brûlures lorsque l'on se sert d'ustensiles en contact avec des aliments chauds. La chaleur transférée des aliments aux ustensiles peut provoquer des brûlures.
- Diriger la vapeur loin du visage et des mains afin d'éviter des brûlures. Soulever doucement la partie la plus éloignée des couvercles et des pellicules et ouvrir lentement les sacs de maïs soufflé ou de cuisson en les tenant loin du visage.
- Rester près du four quand il fonctionne et vérifier fréquemment la cuisson afin d'éviter de trop cuire les aliments.
- **Ne JAMAIS** entreposer des livres de cuisine ou autres objets dans la cavité du four.
- Choisir, entreposer et manipuler la nourriture de manière à préserver sa qualité et à minimiser la prolifération de bactéries alimentaires.
- Garder le couvercle du guide d'ondes propre. Les résidus d'aliments peuvent causer des étincelles ou s'enflammer.

Avant l'utilisation

Avant d'utiliser ce four, prendre la peine de lire intégralement ce mode d'emploi.

Les étapes suivantes doivent être prises avant que les fonctions peuvent être utilisées. Avant d'utiliser le four, procéder ainsi :

1. Brancher la fiche du cordon d'alimentation. Fermer la porte. L'indication **ENJOY** **YOUR** **MICRO-** **WAVE** **TOUCH** **CLEAR** **AND** **TOUCH** **CLOCK** s'affiche et clignote.
2. Appuyer sur la touche Stop/Clear. **:** L'indication s'affiche.
3. Régler l'horloge.

Réglage de l'horloge

1. Appuyer sur la touche Timer/Clock et sur le chiffre **2**.
2. Entrer l'heure correcte de la journée en appuyant sur les touches numériques. Appuyer à nouveau sur la touche Timer/Clock.

Cette horloge est conçue selon un cycle de 12 heures. En cas d'entrée d'une heure non valable, l'indication **ERROR** s'affiche. Appuyer sur la touche Stop/Clear et entrer l'heure correcte.

- Si l'alimentation électrique du four à micro-ondes est coupée, l'indication **ENJOY** **YOUR** **MICRO-** **WAVE** **TOUCH** **CLEAR** **AND** **TOUCH** **CLOCK** s'affiche et clignote dès que l'alimentation est rétablie. Si cela se produit durant la cuisson, le programme de cuisson et l'heure de la journée seront effacés. Appuyer sur la touche Stop/Clear et remettre l'horloge à l'heure.

Stop/Clear (Arrêt/Annulation)

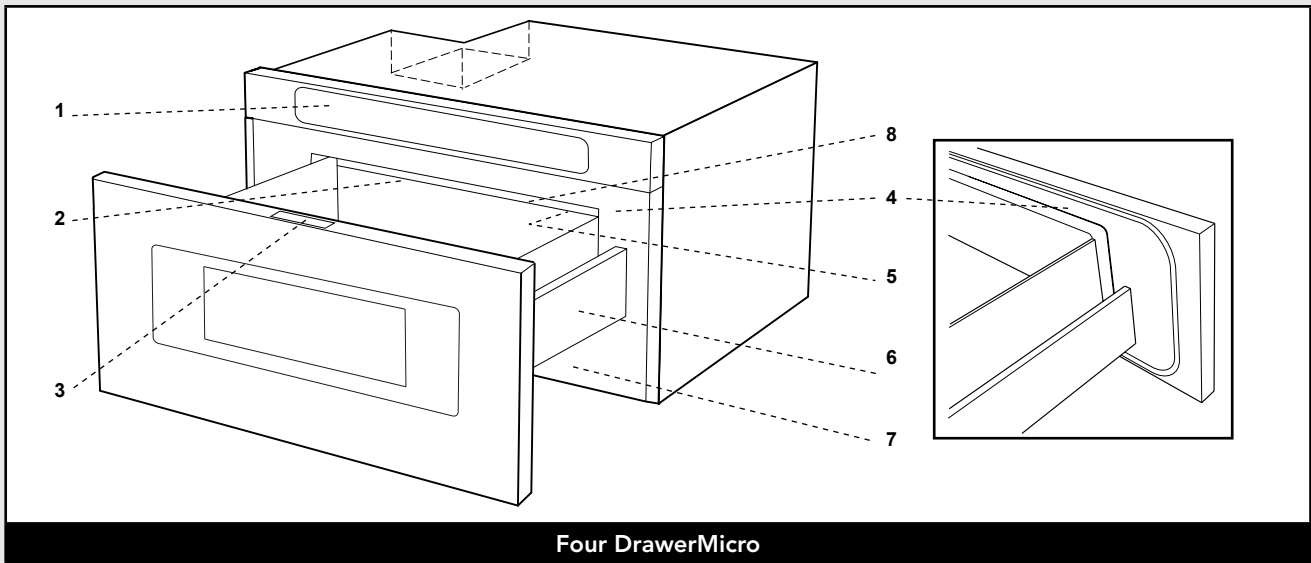
- Appuyer sur la touche Stop/Clear pour :
 1. Effacer une erreur durant la programmation.
 2. Annuler le fonctionnement de la minuterie.
 3. Arrêter le four temporairement durant la cuisson.
 4. Afficher l'heure.
 5. Annuler un programme durant la cuisson, appuyer deux fois.

Ouverture ou fermeture du tiroir

Toujours appuyer sur les touches OPEN ou CLOSE du panneau de commande pour ouvrir ou fermer le tiroir.

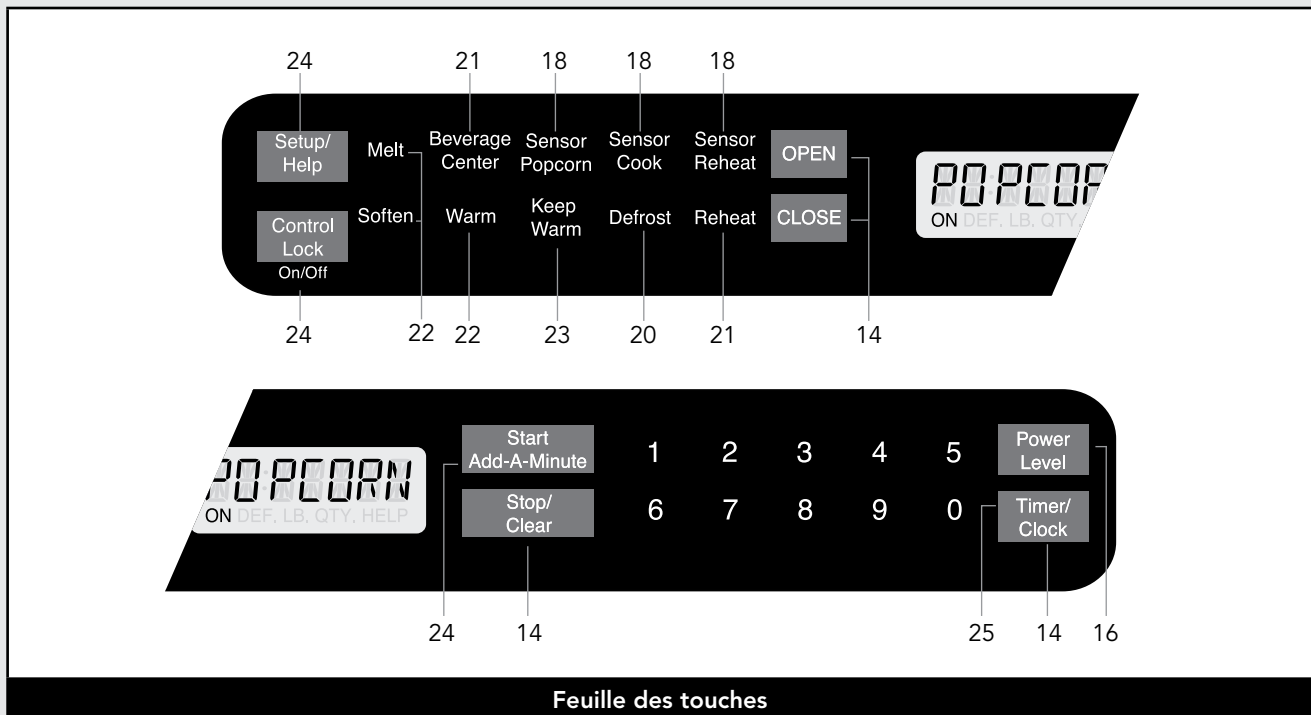
Ne pas pousser ou tirer le tiroir à la main, sauf en cas d'urgence, comme une panne de courant. En cas de nécessité, pousser ou tirer doucement.

Caractéristiques



Four DrawerMicro

- | | | | |
|---|---|---|---|
| 1 | Panneau de commande | 7 | Évent |
| 2 | Couvercle du guide d'ondes NE PAS ENLEVER | 8 | Étiquette des caractéristiques nominales :
Ouvrir le tiroir à micro-ondes complètement.
L'étiquette est légèrement au-delà de la paroi
arrière de la cavité du four à micro-ondes, face
vers le haut, sur la surface plate. |
| 3 | Aide-mémoire | | |
| 4 | Surfaces d'étanchéité du tiroir | | |
| 5 | Lumière du tiroir | | |
| 6 | Glissières du tiroir | | |



Feuille des touches

Les chiffres à côté de l'illustration des touches indiquent les pages où on retrouve la description des caractéristiques et les renseignements concernant l'utilisation.

Panneau de commandes et réglages

Temps de cuisson

Le four peut être programmé pour une durée de 99 minutes et 99 secondes. Toujours entrer les secondes après les minutes, même si le nombre de secondes est égal à zéro.

- **Supposons que l'on veuille cuire pendant cinq minutes à 100 %.**

1. Indiquer le temps de cuisson **5|0|0**.
2. Appuyer sur la touche Start/Add-A-Minute.

Réglage du niveau de puissance

Onze niveaux de puissance sont prévus. Plus le niveau de puissance est faible, plus le temps de cuisson est long, ce qui est conseillé pour les aliments tels que le fromage, le lait ou les viandes qui exigent une cuisson lente. Consulter un livre de cuisine ou de recettes pour chaque cas particulier.

- **Pour dégivrer pour 5 minutes à 30 %.**

1. Entrer la durée de décongélation en composant **5|0|0**.
2. Appuyer huit fois sur la touche Power Level.
3. Appuyer sur la touche Start/Add-A-Minute.

Appuyer sur la touche Power Level jusqu'à ce que le niveau de puissance désiré s'affiche	Pourcentage approximatif de la puissance	Noms donnés aux niveaux de puissance
Power Level x 1	100 %	High (élevé)
Power Level x 2	90 %	
Power Level x 3	80 %	
Power Level x 4	70 %	Medium High (mi-élevé)
Power Level x 5	60 %	
Power Level x 6	50 %	Medium (moyen)
Power Level x 7	40%	
Power Level x 8	30 %	Med Low/Defrost (mi-faible/décongélation)
Power Level x 9	20 %	
Power Level x 10	10 %	Low (faible)
Power Level x 11	0 %	

Panneau de commandes et réglages

Cuisson commandée par capteur

Le capteur est un dispositif à semi-conducteur qui décèle la vapeur (humidité) émise par les aliments qui sont chauffés. Il permet de régler les durées de cuisson et la puissance de chauffe en fonction des divers aliments et de leur quantité.

- Après le branchement du four, attendre 2 minutes avant d'utiliser ce type de cuisson.
- S'assurer que l'extérieur du récipient de cuisson et l'intérieur du four sont secs. Essuyer toute trace d'humidité avec un chiffon sec ou un essuie-tout.
- Le four fonctionne lorsqu'il s'agit d'aliments conservés à la température de rangement normal. Par exemple, le maïs soufflé devrait être à la température de la pièce.
- Toute sélection de cuisson commandée par capteur peut être programmée avec un réglage supérieur ou inférieur à la durée. Voir la page 24.
- Si la quantité d'aliments est inférieure ou supérieure à celle du tableau, on doit tenir compte des conseils fournis dans un livre de cuisine pour four à micro-ondes.
- Au cours de la première période de cuisson, le nom de l'aliment s'affiche. Ne pas ouvrir la porte du four, ni appuyer sur la touche Stop/Clear au cours de cette période, car cela provoquerait l'interruption de la mesure du degré d'humidité. Si ces consignes ne sont pas respectées, un message d'erreur s'affiche et la cuisson commandée par le capteur s'arrête. Pour poursuivre la cuisson, appuyer sur la touche Stop/Clear et choisir le temps de cuisson et le niveau de puissance.

Lorsque le capteur détecte la vapeur émise par les aliments, le temps restant avant la fin de la cuisson est indiqué sur le four. On peut ouvrir la porte lorsque ce temps de cuisson restant s'affiche. À ce moment-là, on peut aussi remuer les aliments et les assaisonner, au goût.

- Si pendant le soufflage du maïs, le capteur ne détecte pas correctement la vapeur émise, le four cesse de fonctionner et l'heure réelle du jour est affichée. Si le capteur ne détecte pas correctement la vapeur émise lors de la cuisson d'autres aliments, l'indication **ERROR** s'affiche et le four cesse de fonctionner.
- Vérifier la cuisson des aliments à la fin de la cuisson commandée par le capteur. Si une prolongation de la cuisson est nécessaire, préciser la durée et le niveau de puissance.
- Il y a un conseil de cuisson pour chaque aliment. Appuyer sur la touche Help lorsque l'indicateur HELP est affiché.

Manières de couvrir les aliments

Certains aliments cuisent mieux quand ils sont couverts. Procéder selon les instructions fournies dans le tableau pour ces aliments.

- Couvercle.
- Pellicule plastique : Utiliser une pellicule plastique recommandée pour les fours à micro-ondes. Couvrir le plat sans serrer et en conservant une ouverture de 1,25 cm (1/2 po) de manière à ce que la vapeur puisse s'échapper. La pellicule plastique ne doit pas être en contact avec les aliments.
- Papier ciré : Couvrir entièrement le plat et replier le papier sous le plat de manière à ce qu'il soit maintenu. Si le plat est plus grand que la largeur du papier, utiliser deux morceaux de papier placés de manière à ce qu'ils se chevauchent d'au moins 2,5 cm (1 po).

S'assurer, lorsque l'on retire l'élément ayant servi à couvrir les aliments, que la vapeur s'échappe du côté opposé à l'utilisateur.

Panneau de commandes et réglages

Sensor Popcorn / Sensor Reheat (Mais Soufflé Au Capteur / Réchauffage Au Capteur)

Vous pouvez faire éclater du maïs ou réchauffer de nombreux aliments sans avoir besoin de calculer le temps de cuisson ou le niveau de puissance.

Appuyer sur Sensor Reheat ou Sensor Popcorn puis sur la touche Start/Add-A-Minute.

Quand le capteur détectera la vapeur émise par les aliments, le temps restant de cuisson/réchauffage s'affichera.

NOTA:

- Il y a 2 choix pour le Sensor Popcorn. Suivre les instructions sur l'afficheur pour choisir l'option désirée.

Tableau de Sensor Popcorn / Sensor Reheat

Aliments	Quantité	Marche à suivre
Sensor Popcorn	1 paquet à la fois 80 – 98 g (2,85 – 3,5 oz) (Régulier / Régulier léger) 34 – 50 g (1,2 – 1,75 oz) (Mini / Collation)	N'utiliser que du maïs soufflé emballé pour le micro-onde. Essayer plusieurs marques et choisir celle qui vous plait. Ne pas tenter de souffler les grains qui n'ont pas éclaté. Appuyer une fois sur Sensor Popcorn pad. Appuyer deux fois sur Sensor Popcorn.
Sensor Reheat	112g – 1 kg (4 – 36 oz)	Mettre dans un plat ou une casserole un peu plus grande que la quantité à réchauffer. Aplatir si possible. Couvrir avec un couvercle, film plastique ou un papier ciré. Couvrir avec du film plastique ou des couvercles pour de plus grandes quantités d'aliments plus denses comme les ragoûts Si possible, bien remuer après réchauffage. Couvrir à nouveau et laisser reposer 2 à 3 minutes. Les aliments devraient être très chauds. Dans le cas contraire, continuer à chauffer avec une puissance et une durée variables.

Sensor Cook (Cuisson au capteur)

1. Appuyer une fois sur la touche Sensor Cook.
2. Voir l'aide-mémoire. Choisir un aliment en appuyant sur un chiffre. Ex : Appuyer fois pour des pommes terre au four.
3. Appuyer sur Start/Add-A-Minute.

NOTA:

- Pour réchauffer d'autres aliments ou des aliments en quantités inférieure ou supérieure à celles permises sur le Tableau de Sensor Cook, cuire en mode manuel.

Tableau de Sensor Cook

Aliments	Quantité	Marche à suivre
1. Légumes frais : Rapide Brocoli Choux de Bruxelles Choux Chou-fleur (en bouquet) Chou-fleur (entier) Épinards Courgettes Pommes au four	0,25 - 2 lb. 0,25 - 2 lb. 0,25 - 2 lb. 0,25 - 2 lb. 1 moyen 0,25 - 1.0 lb. 0,25 - 2 lb. 2 - 4 moyen	Laver et mettre dans une casserole. Ne pas ajouter d'eau si les légumes viennent d'être lavés. Couvrir avec un couvercle pour obtenir des légumes tendres. Utiliser un film plastique pour obtenir des légumes tendres mais croustillants. Après la cuisson, remuer si possible, Laisser reposer, à couvert, 2 à 5 minutes.

Panneau de commandes et réglages

Tableau de Sensor Cook (continué)

Aliments	Quantité	Marche à suivre															
2. Légumes frais : Longue Carottes, tranchées Maïs en épi Haricots verts Courge d'hiver : en dés en moitié	0,25 - 1,5 lb. 2 - 4 0,25 - 1,5 lb. 0,25 - 1,5 lb. 1 - 2	Mettre dans une casserole. Ajouter 1 à 4 c. à soupe d'eau. Couvrir avec un couvercle pour obtenir des légumes tendres. Utiliser un film plastique pour obtenir des légumes tendres mais croustillants. Après la cuisson, remuer si possible, Laisser reposer, à couvert, 2 à 5 minutes.															
3. Légumes congelés	0,25 - 1,25 lb.	Ne pas ajouter d'eau. Couvrir avec un couvercle ou un film plastique. Après la cuisson, remuer et laisser reposer, à couvert, 3 minutes.															
4. Plats congelés	112g - 1kg (6 - 17 oz)	Utiliser cette touche pour les plats prêt-à-servir congelés. Cela donnera des résultats satisfaisants avec la plupart des marques. Peut-être voudrez-vous en essayer plusieurs et choisir votre préféré. Retirer le plat de l'emballage extérieur et suivre les indications pour le recouvrement du plat. Après la cuisson, laisser reposer, à couvert, 1 à 3 minutes.															
5. Pommes terre au four 6. Patates douces	1 - 6 moyen 1 - 6 moyen	Les piquer. Les placer sur un essuie-tout au fond du tiroir. Après la cuisson, les retirer du four, les envelopper dans une feuille d'aluminium et les laisser reposer pendant 5 à 10 minutes.															
7. Viande hachée	0,25 - 2 lb.	Utiliser ce réglage pour cuire du boeuf ou de la dinde hachés en fricadelles ou en cocotte avec d'autres ingrédients. Placer les fricadelles sur une grille transparente aux micro-ondes et couvrir de papier ciré. Placer la viande hachée dans une cocotte et couvrir avec du papier ciré ou du film plastique. Quand le four s'arrête, retourner les fricadelles ou mélanger la viande dans la cocotte pour séparer les gros morceaux. Recouvrir et appuyer sur Start/Add-A-Minute. Après la cuisson, laisser reposer, à couvert, 2 à 3 minutes.															
8. Poisson/Fruits de mer	0,25 - 2 lb.	Disposer en anneau autour d'un plat en verre peu profond (rouler le filet en mettant les bords en dessous). Couvrir avec du film plastique ventilé. Après la cuisson, laisser reposer, à couvert, 3 minutes															
9. Riz 10. Riz brun	0,5 à 2 tasses 0,5 à 2 tasses	Placer le riz dans une cocotte profonde et ajouter le double d'eau. Couvrir avec un couvercle ou un film plastique. Après la cuisson, remuer, couvrir et laisser reposer de 3 à 5 minutes ou jusqu'à ce que tout le liquide ait été absorbé. <table border="1" style="margin-left: auto; margin-right: auto;"> <thead> <tr> <th>Riz</th> <th>Eau</th> <th>Taille de la cocotte</th> </tr> </thead> <tbody> <tr> <td>0,5 tasse</td> <td>1 tasse</td> <td>1,5 pintes</td> </tr> <tr> <td>1,0 tasse</td> <td>2 tasses</td> <td>2 pintes</td> </tr> <tr> <td>1,5 tasses</td> <td>3 tasses</td> <td>2.5 ou 3 pintes</td> </tr> <tr> <td>2,0 tasses</td> <td>4 tasses</td> <td>3 pintes ou plus</td> </tr> </tbody> </table>	Riz	Eau	Taille de la cocotte	0,5 tasse	1 tasse	1,5 pintes	1,0 tasse	2 tasses	2 pintes	1,5 tasses	3 tasses	2.5 ou 3 pintes	2,0 tasses	4 tasses	3 pintes ou plus
Riz	Eau	Taille de la cocotte															
0,5 tasse	1 tasse	1,5 pintes															
1,0 tasse	2 tasses	2 pintes															
1,5 tasses	3 tasses	2.5 ou 3 pintes															
2,0 tasses	4 tasses	3 pintes ou plus															

Panneau de commandes et réglages

Defrost (Décongélation)

Utiliser cette caractéristique pour décongeler les aliments indiqués dans le Tableau de Defrost.

- Appuyer sur la touche Defrost.
- Voir l'aide-mémoire. Choisir l'aliment désirée en appuyant sur un chiffre. Ex : Appuyer sur pour les biftecks ou les côtelettes.
- Entrer le poids en appuyant sur les chiffres
- Appuyer sur la touche Start/Add-A-Minute.
Le four d'arrêtera pour que vous puissiez inspecter l'aliment.
- Après la première étape, ouvrir le DrawerMicro. Retourner le bifteck et masquer les parties chaudes. Fermer le tiroir. Appuyer sur Start/Add-A-Minute.
- Après la deuxième étape, ouvrir le DrawerMicro. Masquer tout les parties chaudes. Fermer le micro-onde tiroir. Appuyer sur Start/Add-A-Minute.
- À la fin du cycle de décongélation, masquer et laisser reposer comme indiqué dans le tableau ci-dessous..

NOTA:

- Defrost peut être programmé avec réglage de durée en plus ou en moins. Voir page 24.
- Pour décongeler d'autres aliments dont le poids est supérieur ou inférieur à celui autorisé au Tableau de Defrost, voir la Décongélation Manuelle.
- Inspecter les aliments au signal du four. Après l'étape finale, de petites sections peuvent être encore gelées. Laisser reposer pour que le dégel se poursuive. Ne pas décongeler avant que tous les cristaux de glace soient fondus.
- Le masquage empêche que la cuisson ait lieu avant que le centre de l'aliment ne soit dégelé. Utiliser de petites bandes souples de papier d'aluminium pour couvrir les bords et les parties les moins épaisses de l'aliment.

Tableau de Defrost

Aliments	Quantité	Marché à suivre
1. Viande hachée	0,5 - 2 lb	Retirer les parties dégelées après chaque signal sonore. Laisser reposer, à couvert, 5 à 10 minutes.
2. Biftecks/ Côtelettes	0,5 - 3 lb	Après chaque signal sonore, changer la disposition des aliments et masquer les parties chaudes ou dégelées au moyen de bandes de papier d'aluminium. Retirer la viande ou le poisson presque entièrement dégelés. Laisser reposer, à couvert, 10 à 20 minutes.
3. Poulet désossé	0,5 - 2 lb	Après chaque signal sonore, s'il y a des morceaux chauds ou dégelés, changer la disposition ou retirer. Laisser reposer, à couvert, 10 à 20 minutes.
4. Poulet avec les os	0,5 - 3 lb	lb Après chaque signal sonore, changer la disposition ou retirer les morceaux. s'il sont chauds ou dégelés Laisser reposer, à couvert, 10 à 20 minutes.
5. Rôti	2,0 - 4 lb	Mettre les parties grasses en dessous. Après chaque étape de décongélation, retourner et protéger les parties chaudes au moyen de bandes de papier d'aluminium. À la fin de la décongélation, laisser reposer à couvert de 30 à 60 minutes.

Décongélation Manuelle

Si les aliments que vous voulez décongeler ne sont pas dans le Tableau de Defrost, ou sont en quantité supérieure ou inférieure à celle de la colonne QUANTITÉ du Tableau de Defrost, vous devrez décongeler en mode manuel.

Vous pouvez décongeler tout aliment, cru ou déjà cuit, à l'aide du niveau de puissance de 30 %. Suivre exactement la marche suivre en 3 étapes sous Le réglage du niveau de puissance à la page 16. Estimer la durée de décongélation et appuyer sur la touche Power Level huit fois pour une puissance de 30%.

Pour des aliments crus ou déjà cuits, la règle d'or est d'environ 4 minutes par livre. Par exemple, 1 livre de spaghetti dégèlera en 4 minutes.

Toujours arrêter le four périodiquement pour séparer et retirer les portions dégelées. Si les aliments ne sont pas complètement dégelés à la fin du temps de décongélation estimé, programmer le four en incréments d'1 minute, au niveau de puissance de 30 % jusqu'à décongélation complète.

Quand vous utilisez des contenants plastique sortant du congélateur, décongeler seulement assez longtemps pour retirer les aliments du plastique et les mettre dans un plat pour micro-onde.

Panneau de commandes et réglages

Reheat (Réchauffage)

Reheat calculera automatiquement le temps de réchauffage approprié et la puissance du four à microondes pour les aliments énumérés dans le tableau suivant.

1. Appuyer une fois sur la touche **SEE** **LABEL** **SELECT** **FOOD** **NUMBER**.
2. Voir l'aide-mémoire Choisir un aliment en appuyant sur un chiffre. Ex : Appuyer sur **2** pour des petits pains ou des muffins congelés.
3. Appuyer sur un chiffre pour choisir la quantité. Ex : Appuyer sur **2** pour 2 pains ou muffins.
4. Appuyer sur Start/Add-A-Minute.

NOTA:

- Reheat peut être programmé avec réglage de durée en plus ou en moins. Voir page 24.
- Pour réchauffer d'autres aliments ou des aliments en quantités inférieure ou supérieure à celle permise sur le Tableau de Reheat, réchauffer en mode manuel.

Tableau de Reheat

Aliments	Quantité	Marche à suivre
1. Petits pains frais/muffins	1 - 8 pièces	Utiliser cette touche pour décongeler petits pains, muffins, biscuits, baguels, etc. il faut compter les grosses pièces comme 2 ou 3 de taille régulière. Disposer sur une assiette; couvrir avec un essuie-tout. Pour des petits pains et des muffins réfrigérés, il peut être nécessaire de doubler la quantité pour que la portion soit à la température appropriée. Par exemple, entrer la quantité 2 pour 1 petit pain réfrigéré.
2. Pains ou muffins congelés	1 - 8 pièces	Utiliser cette touche pour décongeler petits pains, muffins, biscuits, baguels, etc. il faut compter les grosses pièces comme 2 ou 3 de taille régulière. Disposer sur une assiette; couvrir avec un essuie-tout.

Beverage Center (Centre de boissons)

Beverage Center vous permet de réchauffer le café ou le thé pour réaliser une température plus convenable à la consommation, ou pour préparer du café ou du thé instantané.

1. Appuyez une fois sur Beverage Center. **SEE** **LABEL** **SELECT** **FOOD** **NUMBER**
2. Regardez l'étiquette de Menu. Choisissez la sélection voulue en appuyant sur le pavé numérique. Ex: Appuyez sur le **2** pour préparer du café.
3. Répétez le processus en appuyant sur la même touche pour sélectionner la quantité. Ex: Appuyez 2 fois de plus le numéro **2** pour 2 tasses de café.
4. Appuyer sur Start/Add-A-Minute.

NOTA:

- Réchauffer peut être programmé avec un réglage de durée en plus ou en moins. Voir page 24.
- Si vous essayez de saisir un chiffre en dessous ou en dessus de la quantité permise, un message d'erreur s'affichera.

Beverage Center Chart

Aliments	Quantité	Marche à suivre
1. Reheat beverage	0,5 à 2 tasses	Ce réglage sert à remettre une boisson chaude refroidie à une température convenable à la consommation. Appuyer sur la touche numéro 1 pour augmenter de 0,5 tasses par pression. Remuer après la cuisson.
2. Hot water	1 à 6 tasses	Utiliser ce réglage pour chauffer de l'EAU FROIDE DE ROBINET vers une température juste en dessous du point d'ébullition, pour préparer le café ou le thé instantané. Appuyer sur la touche numéro 2 pour augmenter de 1 tasse par pression. Remuer bien le liquide après la cuisson pour éviter toute «éruption» éventuelle.

Panneau de commandes et réglages

Melt/Soften/Warm (Fondre/Ramollir/Chauffer)

Melt, Soften et Warm calculera automatiquement le temps de réchauffement approprié et la puissance du four à micro-ondes pour faire fondre, ramollir et réchauffer les aliments du tableau suivant.

1. Appuyer une fois sur Melt.
2. Voir l'aide-mémoire. Choisir un aliment en appuyant sur un chiffre. Ex : Appuyer sur pour chocolat.
3. Répéter la pression sur la même touche pour choisir la quantité. Ex : Appuyer sur deux fois de plus pour 1 carré.
4. Appuyer sur Start/Add-A-Minute.

NOTA:

- Melt, Soften et Warm peut être programmé avec réglage de durée en plus ou en moins. Voir page 24.
- Pour faire fondre, faire ramollir ou faire chauffer doucement un autre aliment ou d'autres aliments que ceux mentionnés ci-avant, ou pour des quantités en dessous ou en dessous de la quantité indiquée au Tableau de Melt/Soften/Warm, faire fonctionner manuellement l'appareil.

Tableau de Melt/Soften/Warm

Aliments	Quantité	Marche à suivre
Melt (Fondre) 1. Beurre 2. Chocolat	2 c. à soupe 1/2 tasse 1 tasse de brisures 1 carré	Utiliser une tasse à mesurer en pyrex. Couvrir avec du film plastique ventilé. Après une pression sur Melt, appuyer sur <input type="button" value="1"/> deux fois pour 2 c. à soupe. Après une pression sur Melt, appuyer sur <input type="button" value="1"/> trois fois pour 1/2 tasse. Après une pression sur Melt, appuyer sur <input type="button" value="2"/> deux fois pour 1 tasse de brisures. Après une pression sur Melt, appuyer sur <input type="button" value="2"/> trois fois pour 1 carré.
Soften (Ramollir) 1. Crème glacée 2. Fromage à la crème	1 chopine 1/2 litres 84 g. 184 g.	NE COUVREZ PAS. Après une pression sur Soften, appuyer sur <input type="button" value="1"/> deux fois pour 1 chopine. Après une pression sur Soften, appuyer sur <input type="button" value="1"/> trois fois pour 1/2 litres. Après une pression sur Soften, appuyer sur <input type="button" value="2"/> deux fois pour 84 g. Après une pression sur Soften, appuyer sur <input type="button" value="2"/> trois fois pour 184 g.
Warm (Chauffer) 1. Sirop 2. Garniture de dessert	1/4 tasse 1/2 tasse 1/4 tasse 1/2 tasse	Utiliser une tasse à mesurer en pyrex. NE COUVREZ PAS. Après une pression sur Warm, appuyer sur <input type="button" value="1"/> deux fois pour 1/4 tasse. Après une pression sur Warm, appuyer sur <input type="button" value="1"/> trois fois pour 1/2 tasse. Après une pression sur Warm, appuyer sur <input type="button" value="2"/> deux fois pour 1/4 tasse. Après une pression sur Warm, appuyer sur <input type="button" value="2"/> trois fois pour 1/2 tasse.

Panneau de commandes et réglages

Keep Warm (Réchaud)

Keep Warm vous permet de garder les aliments au chaud pendant 30 minutes.

Usage direct

- Appuyer sur la touche Keep Warm.
 - Entrer la durée désirée en appuyant sur les chiffres. Pour entrer 30 minutes appuyer sur .
 - Appuyer sur Start/Add-A-Minute.
- Le four se mettra en marche. L'afficheur indiquera et le compte à rebours. sera affiché pendant le compte à rebours.

Avec cuisson en mode manuel

- Entrer le temps de cuisson et le niveau de puissance.
- Appuyer sur la touche Keep Warm.
- Entrer la durée de réchauffage désirée jusqu'à 30 minutes.
- Appuyer sur Start/Add-A-Minute.

L'opération démarrera. Quand la durée de cuisson est terminée, une longue tonalité résonnera et Keep Warm démarrera. L'afficheur indiquera le compte à rebours sera affiché de manière intermittente pendant le compte à rebours.

NOTA:

- Si vous essayez d'entrer plus de 30 minutes pour Keep Warm, un message d'erreur s'affichera.
- Keep Warm ne peut pas être programmé avec Sensor Popcorn, Sensor Reheat, Sensor Cook, Defrost ou Reheat.

Cuisson À Séquences Multiples

Votre micro-onde tiroir peut être programmé pour 4 séquences automatiques de cuisson, passant d'un réglage de puissance à l'autre automatiquement.

Parfois, les conseils de cuisson suggèrent de commencer à un certain niveau de puissance et de poursuivre à un autre niveau. Votre micro-onde tiroir peut le faire automatiquement.

- Entrer d'abord le temps de cuisson. Puis appuyer sur la touche Power Level pour la cuisson à 100% ou appuyer de nouveau sur Power Level pour un niveau plus faible.
- Entrer le second temps de cuisson. Appuyer répétitivement sur la touche Power Level jusqu'au niveau de puissance désiré. Vous pouvez faire cette marche à suivre jusqu'à 4 fois.
- Appuyer sur Start/Add-A-Minute.

NOTA:

- sera affiché si on appuie une fois sur la touche Power Level.
- Si le niveau 100 % doit être utilisé au cours de la dernière séquence, il n'est pas nécessaire d'appuyer sur la touche Power Level.
- Si vous voulez savoir le niveau de puissance, appuyer simplement sur la touche Power Level. Aussi long temps que votre doigt appuie sur la touche Power Level, le niveau de puissance sera affiché.
- Keep Warm peut être programmé même si 4 séquences de cuisson ont été réglées.

Panneau de commandes et réglages

Add-A-Minute

Add-A-Minute permet de faire cuire à 100% pour une minute à l'aide d'une seule pression sur la touche Add-A-Minute. On peut également prolonger le temps de cuisson par intervalles de 1 minute en appuyant autant de fois que de minutes désirées sur la touche Add-A-Minute pendant une cuisson manuelle.

NOTA:

- Pour utiliser Add-A-Minute, appuyez sur la touche en les 3 minutes suivant la cuisson, la fermeture de la porte ou la pression sur la touche Stop/Clear.
- Add-A-Minute ne peut pas être utilisé avec les Réglages à capteur, Reheat ou Defrost.

Réglage de durée en plus ou en moins

Si vous trouvez que vous préférez les réglages de Sensor, Reheat or Defrost un peu plus forts, appuyer une fois sur la touche Power Level après avoir appuyé sur les touches de votre choix. **MORE** s'affichera.

Pour des réglages un peu moins forts, appuyer deux fois sur la touche Power Level après avoir appuyé sur les touches de votre choix. **LESS** s'affichera.

Help (Aide - sur l'affichage)

Chaque réglage de Sensor Reheat, Sensor Cook, Sensor Popcorn, Keep Warm, Reheat et Defrosting s'accompagne d'une astuce. Si vous voulez accéder à ces astuces, appuyez sur Setup/Help lorsque le témoin HELP est allumé à l'affichage interactif.

Control lock (Verrouillage des commandes)

La fonction de Control Lock prévient une utilisation non autorisée du tiroir par les enfants. On peut régler le Four Drawer-Micro de manière à verrouiller ou à désactiver le tableau de commandes.

POUR VERROUILLER

Appuyez sur la touche Control Lock pendant 3 secondes. **LOCK ON** s'affiche.

POUR OUVRIR

Appuyez sur la touche Control Lock pendant 3 secondes. **LOCK OFF** s'affiche.

Le Control Lock est annulée lorsque l'alimentation électrique de votre four est interrompue. Réglez le verrouillage des commandes à nouveau lorsque l'alimentation du four est rétablie.

Setup/Help (Réglages/Aide)

En cas de coupure ou de panne de courant, **ENJOY YOUR MICRO-WAVE TOUCH CLEAR AND TOUCH CLOCK** s'affichera par intervalles une fois que le courant sera rétabli. Si cela se passe, votre option Setup/Help sera effacée. Appuyez sur la touche Stop/Clear pour régler de nouveau.

ÉLIMINATION DE SIGNAL SONORE

En fin d'une cuisson minutée, des signaux sonores se font entendre. Si vous préférez ne pas entendre ces signaux sonores, vous pouvez les désactiver.

POUR DÉACTIVER LE SIGNAL

1. Appuyez sur la touche Setup/Help. **TOUCH AGAIN**
2. Appuyez encore sur la touche Setup/Help. **SOUND OFF ? TOUCH START**
3. Appuyez sur la touche Start/Add-A-Minute. **SOUND OFF** s'affiche.

POUR ACTIVER LE SIGNAL DE NOUVEAU

1. Appuyez sur la touche Setup/Help. **TOUCH AGAIN**
2. Appuyez encore sur la touche Setup/Help. **SOUND ON ? TOUCH START**
3. Appuyez sur la touche Start/Add-A-Minute. **SOUND ON** s'affiche.

Panneau de commandes et réglages

RAPPEL FIN DE CUISSON

À la fin de la cuisson minutée, le micro-ondes émettra un signal sonore toutes les 10 secondes pour la première minute, puis toutes les trois 3 minutes jusqu'à ce que l'on appuie sur la touche Arrêt/remise à zéro, pour jusqu'une heure.

POUR DÉSACTIVER LE RAPPEL

1. Appuyez trois fois sur la touche Setup/Help. **REMIND** **SIGNAL** **OFF ?** **TOUCH** **START** s'affiche.
2. Appuyez sur la touche Start/Add-A-Minute. **REMIND** **SIGNAL** **OFF** s'affiche.

TO TURN REMINDER SIGNAL BACK ON

1. Appuyez trois fois sur la touche Setup/Help. **REMIND** **SIGNAL** **ON ?** **TOUCH** **START** s'affiche.
2. Appuyez sur la touche Start/Add-A-Minute. **REMIND** **SIGNAL** **ON** s'affiche.

MISE EN MARCHÉ AUTOMATIQUE

Si vous voulez programmer le Four DrawerMicro pour se mettre en marche automatiquement à une heure spécifique, procédez comme suit.

1. Appuyez quatre fois sur la touche Setup/Help. **AUTO** **START** **TOUCH** **START** s'affiche.
2. Appuyez sur la touche Start/Add-A-Minute. **ENTER** **START** **TIME**
3. Entrez l'heure de départ. **4:30** **TOUCH** **CLOCK**
4. Appuyez sur la touche Timer/Clock. **ENTER** **COOKING** **TIME**
5. Entrez le temps de cuisson via les touches numériques. **20.00** **TOUCH** **START** **OR** **TOUCH** **POWER** **LEVEL**
Appuyez plusieurs fois sur la touche Power Level jusqu'à ce que l'allure voulue s'affiche. **TOUCH** **START**
6. Appuyez sur la touche Start/Add-A-Minute.

MODE DE DÉMONSTRATION

POUR SÉLECTIONNER LE MODE DE DÉMONSTRATION

1. Appuyez cinq fois sur la touche Setup/Help. **DEMO ON ?** **HOLD** **START** **3 SEC** s'affiche.
2. Maintenez une pression sur la touche Start/Add-A-Minute pour 3 secondes. **DEMO ON** s'affiche.

POUR ANNULER LE MODE DE DÉMONSTRATION

1. Appuyez cinq fois sur la touche Setup/Help. **DEMO** **OFF ?** **TOUCH** **START** s'affiche.
2. Appuyez sur la touche Start/Add-A-Minute. **DEMO** **OFF** s'affiche.

NOTA:

- En mode de démonstration, le Four DrawerMicro n'émet pas d'énergie pour la cuisson ou le réchauffage.
- Le compte à rebours se fait rapidement.

Timer (Minuteur)

1. Appuyez sur la touche Timer/Clock et sur la touche numéro **1**.
 2. Entrez le temps voulu.
 3. Appuyez de nouveau sur la touche Timer/Clock.
- Pour annuler le minuteur, appuyez sur Stop/Clear.

Mode veille

Cette Four DrawerMicro se met en mode veille après une période d'inactivité. Le rétro-éclairage de l'écran dim automatiquement après 3 minutes si l'unité n'a pas été appliquée. Si l'affichage est en mode veille, il suffit de toucher le panneau de commande ou pour ouvrir / fermer la porte pour retourner le rétroéclairage à la luminosité maximale.

Nettoyage et entretien

Les pièces d'équipement fonctionnent mieux et durent plus longtemps quand elles sont entretenues correctement et tenues propres. Le matériel de cuisson ne fait pas exception. Il faut tenir propre votre four à micro-ondes et l'entretenir correctement.

Débrancher le cordon d'alimentation avant de nettoyer ou laisser la porte ouverte pour désactiver le four lors du nettoyage.

Extérieur

La surface extérieure est recouverte d'une couche de peinture. Nettoyer la surface extérieure à l'eau et au savon; rincer et sécher au moyen d'un chiffon doux. Ne pas utiliser de produits chimiques de nettoyage ou de produits abrasifs.

Surface en acier inoxydable

Il faut essuyer souvent l'extérieur avec un chiffon doux humide et le frotter avec un chiffon doux sec pour lui garder son lustre. Toujours essuyer dans le sens du grain. Il existe aussi de nombreux produits conçus spécialement pour nettoyer et faire briller l'extérieur en inox du four. Nous recommandons d'appliquer le nettoyant sur un chiffon doux et de s'en servir ensuite sur l'inox plutôt que de le vaporiser directement dessus. Suivre à la lettre les instructions de l'emballage.

Avant du tiroir

Essuyer les deux surfaces du hublot à l'aide d'un chiffon humide pour enlever les éclaboussures. Il est plus facile de nettoyer les parties métalliques si on les essuie fréquemment avec un chiffon humide. Éviter tout emploi de produits nettoyants vaporisés ou abrasifs car ils peuvent tacher, strier ou ternir la surface de la porte.

Tableau de commandes

Si désiré, les touches peuvent être désactivées avant le nettoyage. Voir les renseignements sur le verrouillage des commandes à la page 24 de ce manuel. Essuyer le tableau de commande avec un chiffon humecté d'eau. Sécher avec un chiffon doux. N'utiliser ni poudre à récurer ni produits chimiques de nettoyage. Refermer la porte et suivre les instructions de la page 24 pour déverrouiller les commandes. Appuyer sur Stop/Clear.

Intérieur

Le nettoyage est facile car les parois intérieures n'absorbent pas de chaleur de telle sorte que les éclaboussures ne cuisent pas. Pour nettoyer les parois intérieures, y compris les surfaces d'étanchéité du tiroir, essuyer avec un chiffon doux humide. NE PAS UTILISER DE PRODUITS ABRASIFS OU DE TAMPONS À RÉCURER. Pour les taches tenaces, utiliser du savon doux et nettoyer avec un chiffon doux humide. Ne pas utiliser de nettoyants chimiques pour les fours.

Glissières du Micro-onde tiroir

Nettoyer les glissières du tiroir des miettes de nourriture. Les essuyer avec un chiffon doux et sec pour que le tiroir s'ouvre et se ferme en douceur.

Couvercle du guide d'ondes

ATTENTION Tenir propre le couvercle du guide d'ondes pour assurer un bon fonctionnement du four. Essuyer immédiatement et délicatement avec un chiffon humide toute éclaboussure d'aliments sur la surface du couvercle. Une accumulation d'éclaboussures peut surchauffer et causer de la fumée ou même s'enflammer. Ne pas retirer le couvercle du guide d'ondes.

Désodorisation

Il peut arriver qu'une odeur de cuisson persiste dans le tiroir. Pour l'éliminer, mettre dans un récipient pouvant contenir 2 tasses, 1 tasse d'eau, le zeste et le jus d'un citron, et plusieurs clous de girofle entiers. Faire bouillir pendant plusieurs minutes à 100 %. Laisser reposer dans le micro-onde tiroir jusqu'à ce qu'il soit froid. Essuyer l'intérieur avec un chiffon doux.

Avant d'appeler un technicien

Pour éviter des pertes de temps et des dépenses inutiles, veuillez effectuer les vérifications suivantes avant d'appeler un technicien.

PROBLÈME	CAUSE POSSIBLE	SOLUTION
1. Une partie ou tout le Four DrawerMicro ne fonctionne pas.	<ul style="list-style-type: none"> La fiche du Four DrawerMicro n'est pas complètement branchée dans la prise murale. Panne de courant. Le fusible/le disjoncteur est défectueux. Le Four DrawerMicro est en mode de démonstration. 	<ul style="list-style-type: none"> Assurez-vous que la fiche est bien branchée dans la prise murale. Vérifiez les lumières de la maison pour voir si elles marchent. Téléphonnez à votre service d'électricité local pour demander du service. Changez le fusible ou remettez le disjoncteur. Consultez la page 25 pour en savoir plus sur comment annuler le mode de démonstration.
2. L'aliment dans le Four DrawerMicro ne se chauffe pas.	<ul style="list-style-type: none"> L'appareil n'est pas branché. Mauvais réglage des commandes du tiroir. Le tiroir est en mode de démonstration. 	<ul style="list-style-type: none"> Consultez la SOLUTION au PROBLÈME 1. Vérifiez si les commandes sont réglées comme il faut. Consultez la page 25.
3. La lampe du Four DrawerMicro ne fonctionne pas.	<ul style="list-style-type: none"> L'ampoule n'est pas bien serrée en place, ou elle est épuisée. 	<ul style="list-style-type: none"> Téléphonnez à un technicien.
4. Les touches ne fonctionnent pas.	<ul style="list-style-type: none"> Le verrouillage des commandes est activé. 	<ul style="list-style-type: none"> Consultez la page 24 pour en savoir plus sur comment désactiver le verrouillage.
5. L'affichage clignote.	<ul style="list-style-type: none"> Panne de courant. 	<ul style="list-style-type: none"> Appuyez sur Clear (Remise à zéro) et réglez l'heure. Si le Four DrawerMicro fonctionnait, il faut programmer la cuisson de nouveau.
6. De la vapeur sort de la sortie d'air	<ul style="list-style-type: none"> Pendant l'opération du four à microondes, il est normal que de la vapeur sorte du côté droit de la sortie d'air. 	

Informations de dépannage

Si un dépannage est nécessaire, appelez votre une société de dépannage agréée.

Préparer les informations suivantes à l'avance :

- Numéro de modèle
- Numéro de série
- Date d'achat
- Nom du revendeur où a eu lieu l'achat

Décrire clairement le problème rencontré. En cas d'impossibilité d'obtention du nom d'une société de dépannage, ou si les ennuis continuent, contacter directement Viking Range, LLC au 1-888-845-4641 ou écrire à :

VIKING RANGE, LLC

PREFERRED SERVICE

111 Front Street

Greenwood, Mississippi 38930 USA

Enregistrer les informations indiquées ci-dessous. Elles seront nécessaires si vous avez besoin d'un dépannage. Les numéros de modèle et de série de votre micro-ondes sont situés sur le côté gauche de sa cavité sur une étiquette signalétique.

Numéro de modèle. _____ Numéro de série _____

Date d'achat. _____ Date d'installation _____

Nom du revendeur _____

Adresse _____

Si le dépannage demande l'installation de pièces, n'utiliser que des pièces autorisées pour conserver la protection de la garantie.

VEUILLEZ CONSERVER CE MANUEL COMME RÉFÉRENCE ULTÉRIEURE

Garantie

Garantie du four drawermicro

DEUX ANS DE GARANTIE COMPLÈTE

Le Four DrawerMicro et toutes leurs pièces constituant et accessoires, sauf les parties listées ci-dessous*, sont garantis être exempts de défauts dus aux matériaux ou à la main d'œuvre pour un usage domestique normal pendant une période de deux (2) ans à partir de la date d'achat chez le revendeur. Viking Range, LLC, le garant, accepte de réparer ou remplacer, à son choix, toute partie qui tombe en panne ou qui est trouvée défectueuse durant la période de garantie.

* Les parties en verre (y compris les ampoules d'éclairage), peintes et décoratives, sont garanties être exemptes de défauts dus aux matériaux ou à la main d'œuvre pour un fonctionnement ménager normal pendant une période réduite de quatre-vingt-dix (90) jours à partir de la date d'achat chez le revendeur. TOUT DÉFAUT DOIT ÊTRE SIGNALÉ AU REVENDEUR DANS LES QUATRE-VINGT-DIX (90) JOURS SUIVANT L'ACHAT CHEZ LUI.

GARANTIE LIMITÉE DE CINQ ANS

Tout tube magnétron qui tomberait en panne suite à un défaut d'origine matériel ou de main d'œuvre, dans des conditions d'utilisation normales, de la seconde année à la cinquième année suivant sa date d'achat d'origine, sera réparé ou remplacé gratuitement pour le coût de la pièce elle-même, le propriétaire payant tous les autres frais dont la main d'œuvre.

Cette garantie est accordée au tout premier acheteur du produit garanti ici, et à tous acheteurs ultérieurs du produit pour la durée de cette garantie.

Cette garantie s'applique aux produits achetés et utilisés aux États-Unis et au Canada. Les produits doivent avoir été achetés dans le pays ou le service sous garantie est demandé. La main d'œuvre du dépannage doit être fournie par une agence de service agréée ou un dépositaire de Viking Range, LLC. La garantie ne pourra pas s'appliquer pour des dommages résultant d'usage abusif, d'accident, de catastrophe naturelle, de perte d'alimentation électrique vers le produit pour n'importe quelle raison, de vandalisme, d'utilisation en extérieur, d'installation incorrecte, de mise en œuvre non appropriée, d'entretien ou réparation par quiconque non habilité par une agence de service agréée ou un dépositaire de Viking Range, LLC. Cette garantie ne s'applique pas pour un usage commercial du produit. Le garant n'est pas responsable pour les dommages consécutifs ou accessoires survenant en violation des devoirs ou du contrat ou des deux. Certaines juridictions ne permettent pas l'exclusion ou la limitation pour dommages consécutifs ou accessoires, de ce fait la limitation ou exclusion ci-dessus peut ne pas être applicable pour votre cas.

Le propriétaire sera seul responsable de la conformité de l'installation, de l'apport normal de l'attention et de l'entretien, et devra fournir la preuve de son achat sur demande et laisser l'équipement raisonnablement accessible pour sa réparation. Si le produit ou un de ses composants comporte un défaut ou présente une anomalie de fonctionnement pendant sa période de garantie, après un nombre raisonnable de tentatives de résolution du problème par le garant, le propriétaire est en droit de demander un remboursement ou un remplacement de produit ou de(s) pièce(s). L'engagement du garant pour toute réclamation de toute sorte concernant le produit concerné ici ne pourra pas excéder le prix d'achat du produit lui-même.

RÉPARATION SOUS GARANTIE : Suivant les termes de cette garantie, la réparation doit être effectuée par un agent ou représentant autorisé par l'usine Viking Range, LLC. La réparation sera assurée durant les horaires de travail normaux, tout supplément pour travail effectué en dépassement d'horaire ou période spéciale ne sera pas couvert par cette garantie. Pour obtenir une réparation sous garantie, contactez le revendeur chez qui vous avez acheté le produit, ou un agent de service autorisé par Viking Range, LLC, ou Viking Range, LLC directement. Vous devrez alors fournir l'indication de modèle, le numéro de série et la date d'achat de l'appareil. Pour obtenir le nom de l'agence de service agréée par Viking Range, LLC la plus proche de chez vous, appelez le revendeur chez qui vous avez acheté, ou le service clientèle de Viking Range, LLC.

IMPORTANT : Gardez la preuve de votre achat d'origine pour la détermination de votre droit à la garantie.

Le retour de la carte d'enregistrement d'utilisateur ne conditionne pas votre garantie. Cependant veuillez la retourner de façon à ce que Viking Range, LLC puisse vous contacter si un problème de sécurité apparaissait sur ce type de produit qui vous concernerait.

Toutes garanties implicites du caractère commercialisable ou de l'adéquation à un usage particulier pour les parties décrites précédemment sont limitées à la durée contractuelle de la garantie exprimée plus élevé. Certaines juridictions ne permettent pas la limitation de durée pour les garanties implicites, de ce fait la limitation ci-dessus peut ne pas être applicable pour votre cas. Cette garantie vous donne des droits légaux spécifiques, et vous pouvez peut-être avoir d'autres droits, qui peuvent varier d'une juridiction à une autre.

Viking Range, LLC

111 Front Street

Greenwood, Mississippi (MS) 38930 USA (888) 845-4641

Spécifications susceptibles d'être modifiées sans préavis
Pour plus d'informations, appelez 1-888-845-4641, ou branchez-vous sur le site Web à l'adresse brigade.ca

Viking Range, LLC
111 Front Street
Greenwood, Mississippi 38930 USA
(662) 455-1200

For product information
call 1-888-845-4641
or visit our Web site at
vikingrange.com in the US
or brigade.ca in Canada